



US00D484356S

(12) **United States Design Patent**  
**Bodum**

(10) **Patent No.: US D484,356 S**

(45) **Date of Patent: \*\* Dec. 30, 2003**

(54) **ELECTRIC ESPRESSO MAKER**  
(75) Inventor: **Jørgen Bodum, St. Niklausen (CH)**  
(73) Assignee: **PI-Design AG, Triengen (CH)**  
(\*\*) Term: **14 Years**

(21) Appl. No.: **29/169,304**  
(22) Filed: **Oct. 18, 2002**

(30) **Foreign Application Priority Data**  
May 17, 2002 (DK) ..... 2002 00414

(51) **LOC (7) Cl. .... 07-01**  
(52) **U.S. Cl. .... D7/318; D7/317**  
(58) **Field of Search .... D7/312, 316, 317,**  
D7/318, 319, 511, 300, 321, 598, 413,  
300.1; 220/504, 574, 755; 215/398; 222/146.6,  
465.1, 566; D23/209; 99/279; D10/46.3

(56) **References Cited**  
**U.S. PATENT DOCUMENTS**  
D182,573 S \* 4/1958 Douglas ..... D7/317  
D224,034 S \* 6/1972 Douglas ..... D7/318

D229,917 S \* 1/1974 Swett ..... D10/46.3  
D231,685 S \* 5/1974 Beckman ..... D7/317  
D472,766 S \* 4/2003 Luo ..... D7/511  
D479,090 S \* 9/2003 Backes et al. .... D7/318

\* cited by examiner

*Primary Examiner*—M. N. Pandozzi  
(74) *Attorney, Agent, or Firm*—Nath & Associates PLLC;  
Gary M. Nath

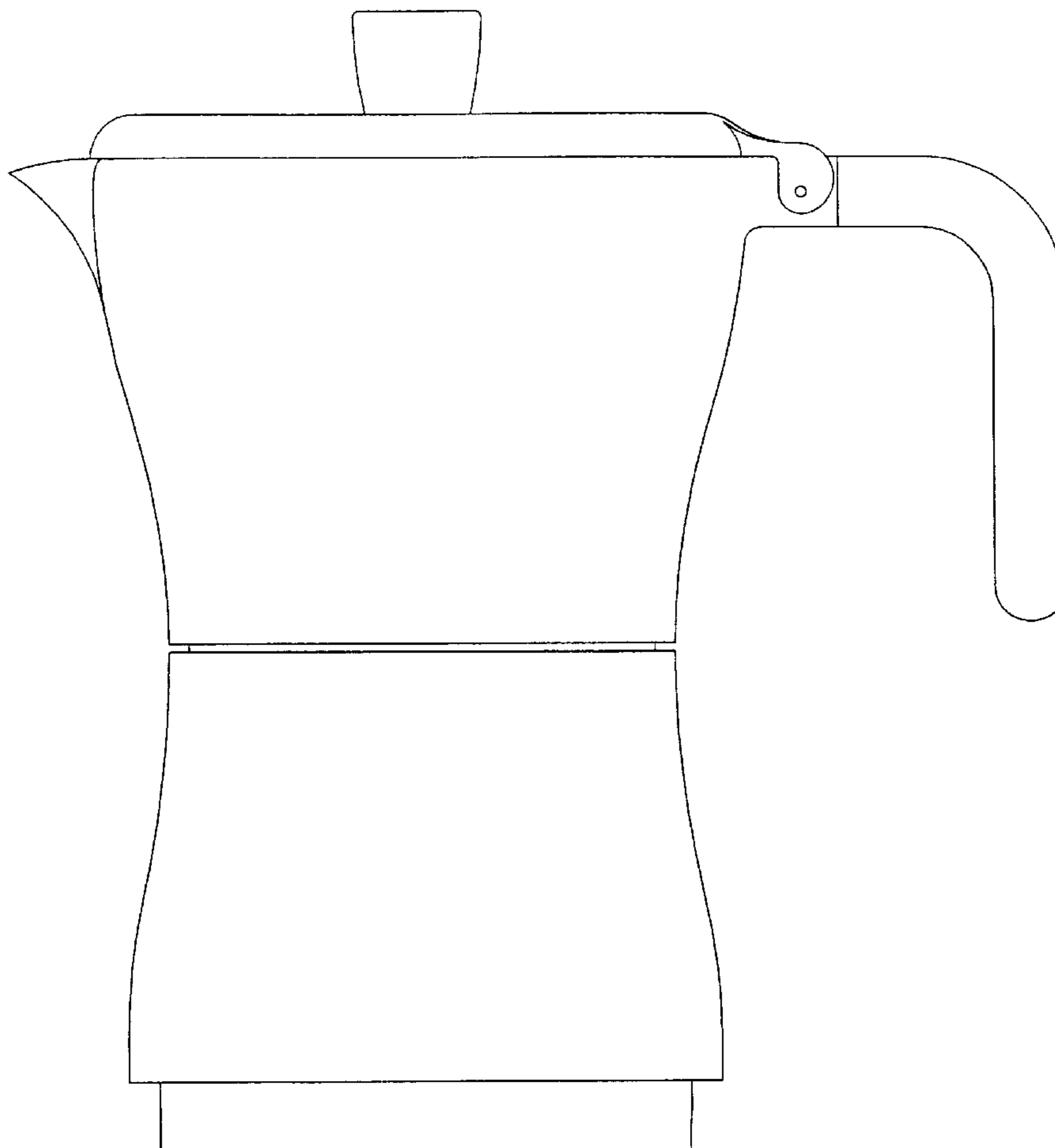
(57) **CLAIM**

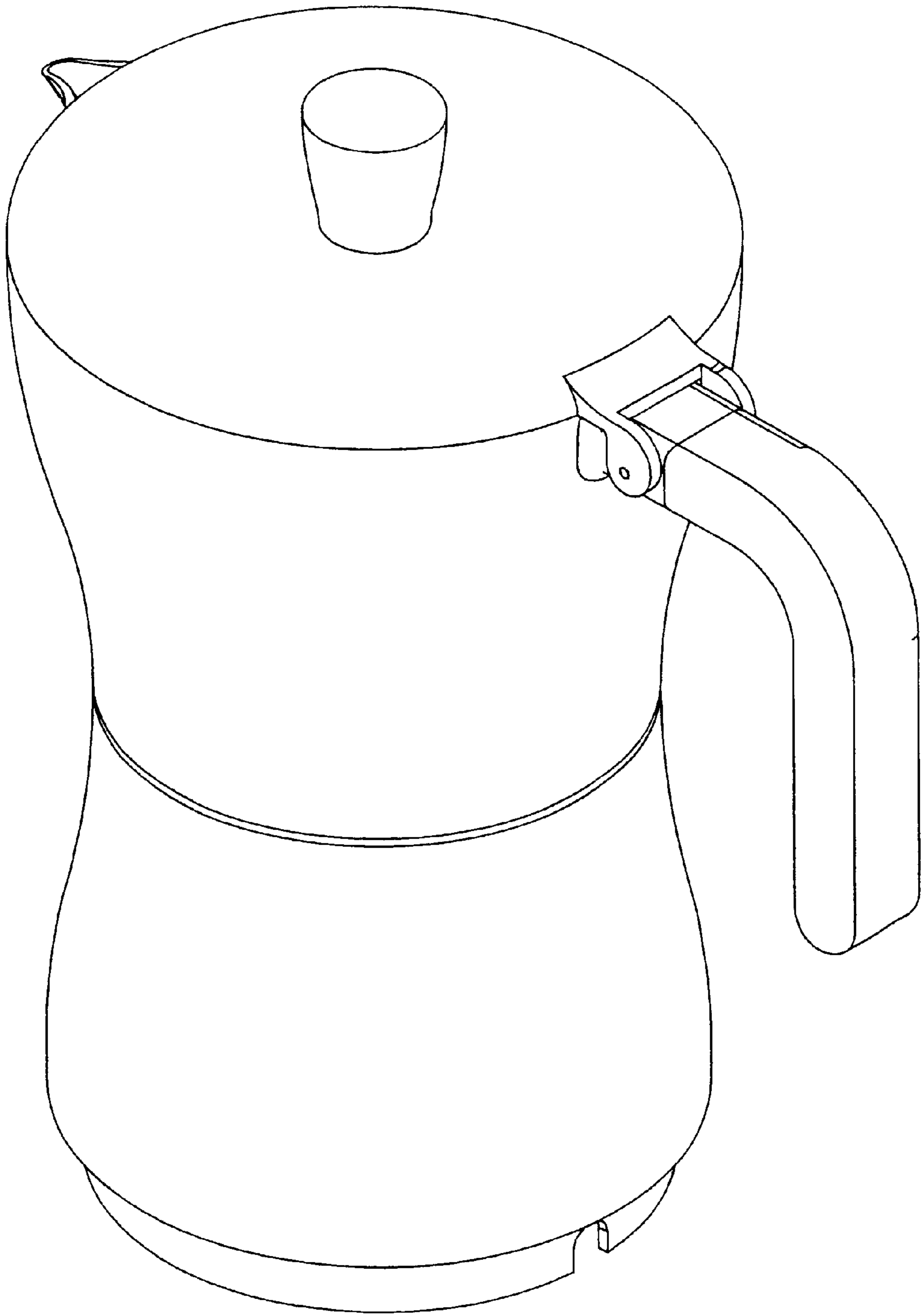
The ornamental design for a electric espresso maker, as shown and described.

**DESCRIPTION**

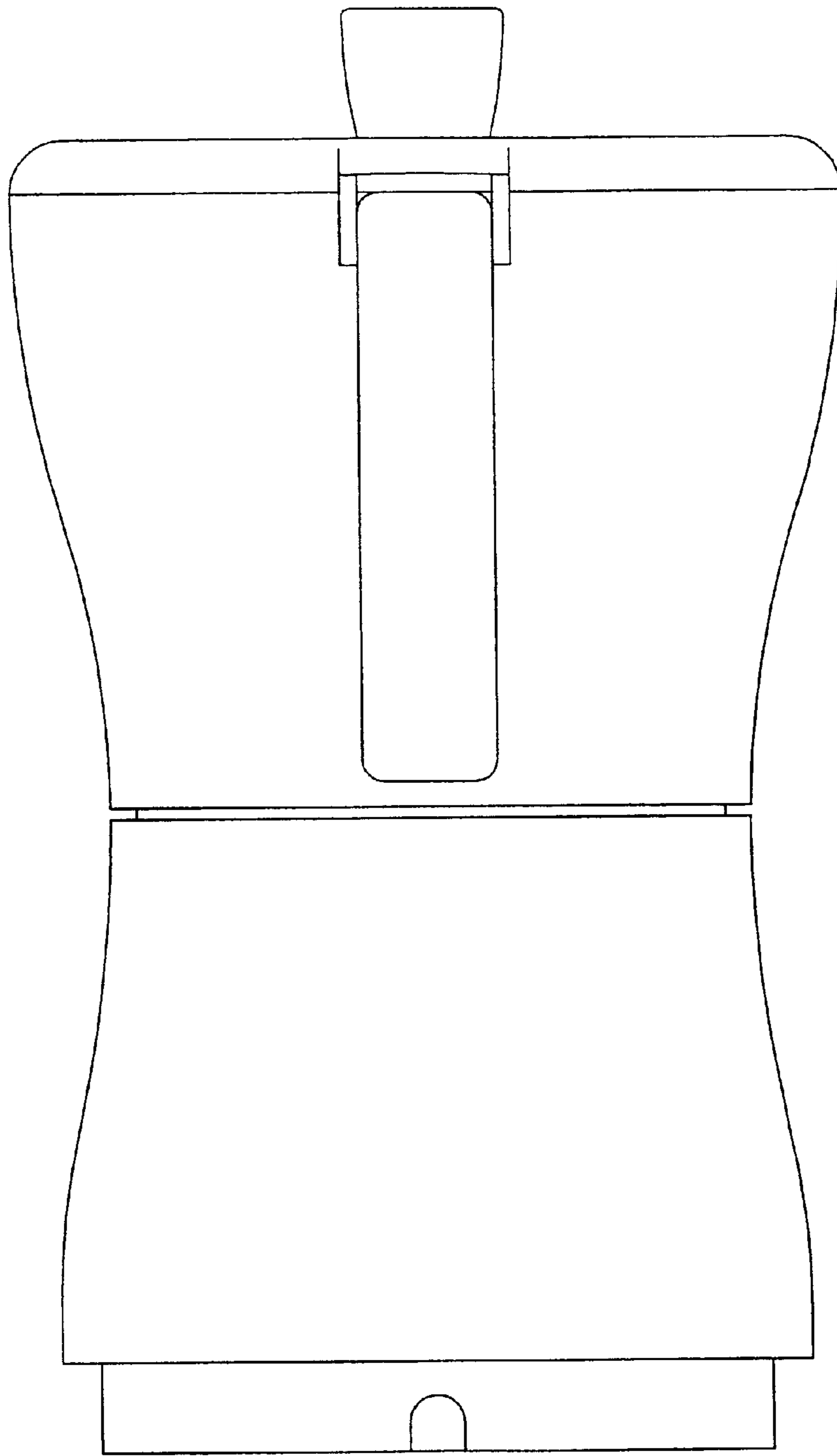
FIG. 1 is an oblique perspective view of the electric espresso maker;  
FIG. 2 is a right view of the electric espresso maker, as shown in FIG. 1;  
FIG. 3 is a left side view of the electric espresso maker;  
FIG. 4 is a front side view of the electric espresso maker;  
FIG. 5 is a back side view of the electric espresso maker;  
FIG. 6 is a top view of the electric espresso maker; and,  
FIG. 7 is a bottom view of the electric espresso maker.

**1 Claim, 7 Drawing Sheets**

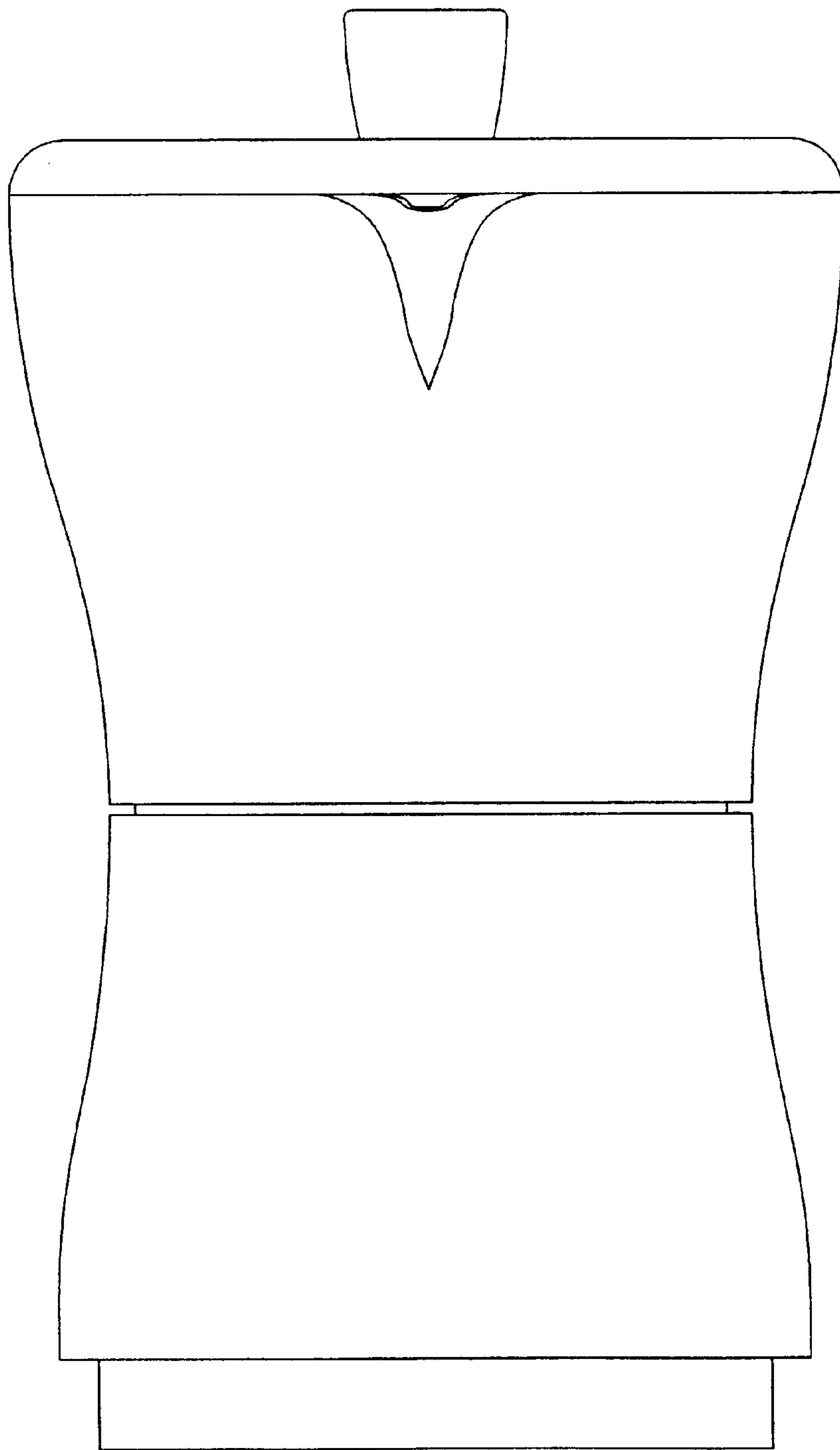




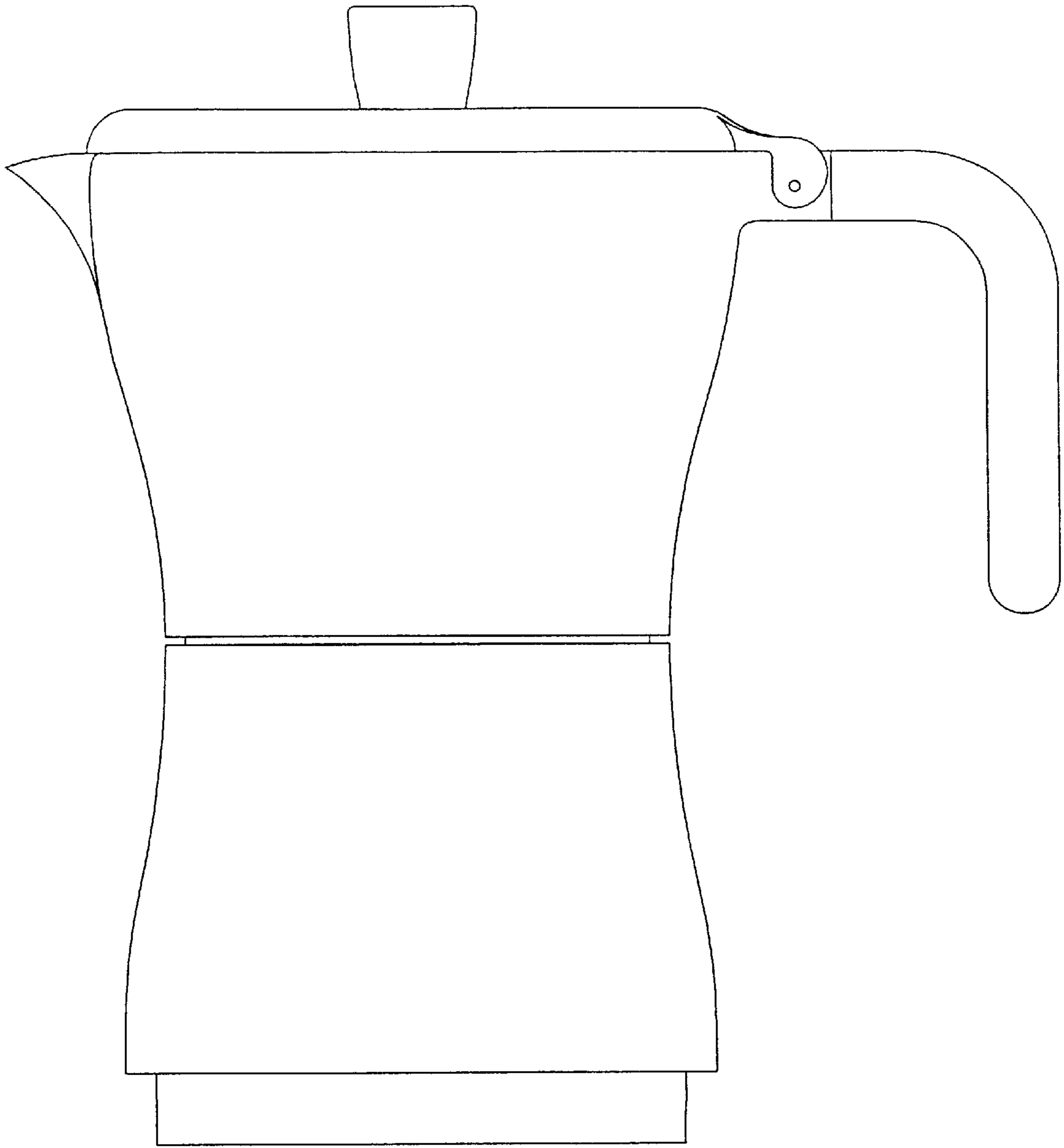
**Fig. 1**



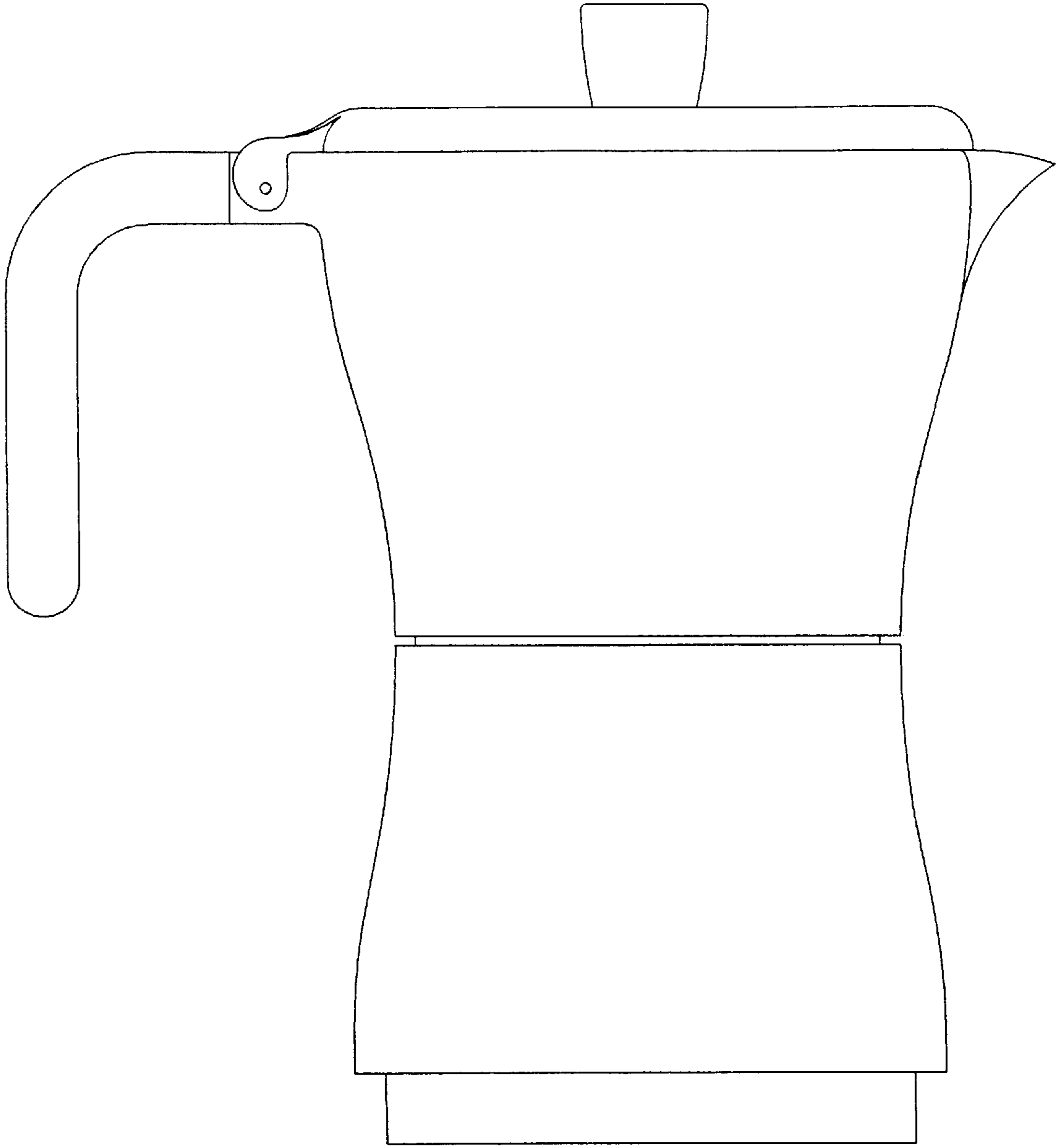
**Fig. 2**



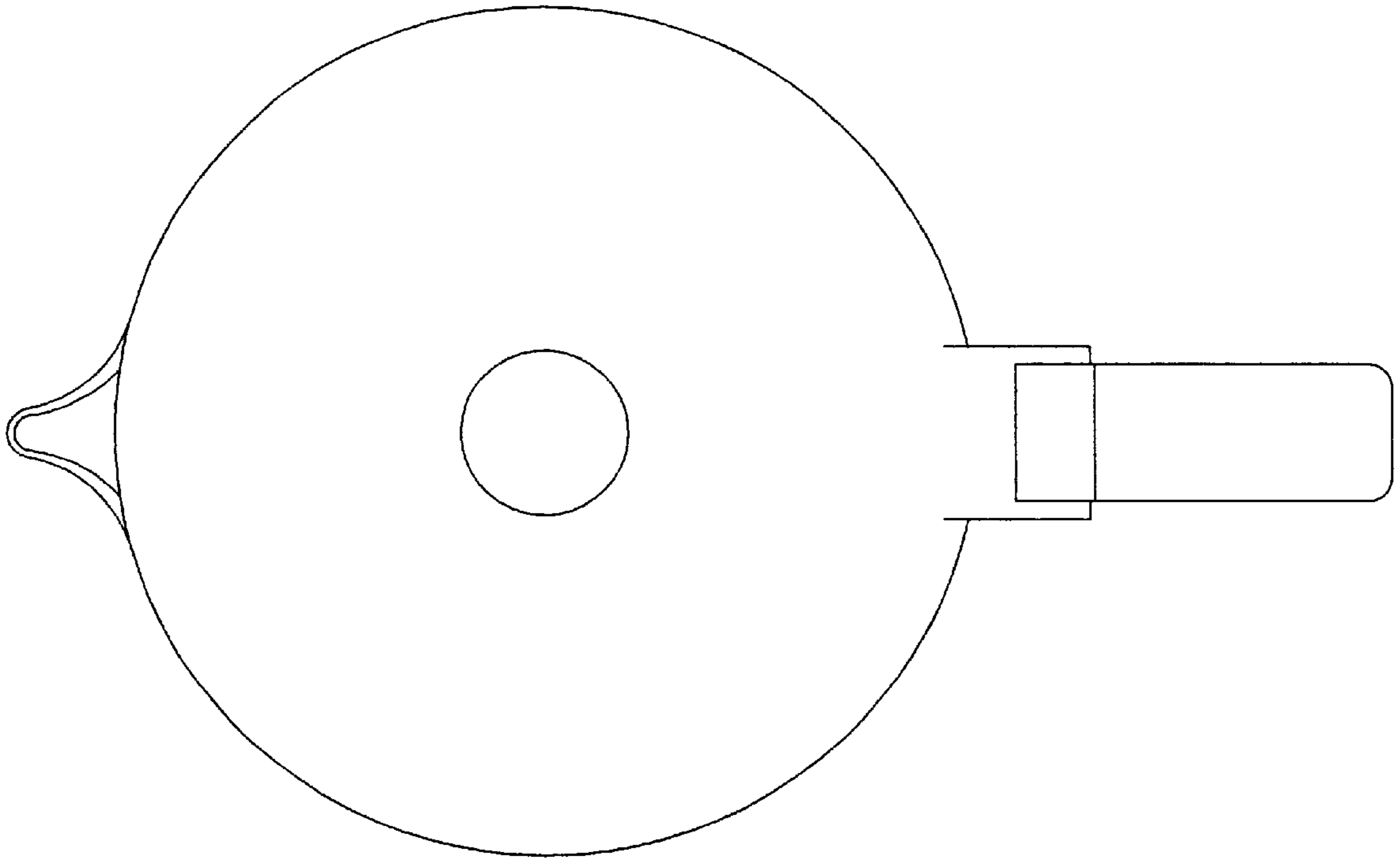
**Fig. 3**



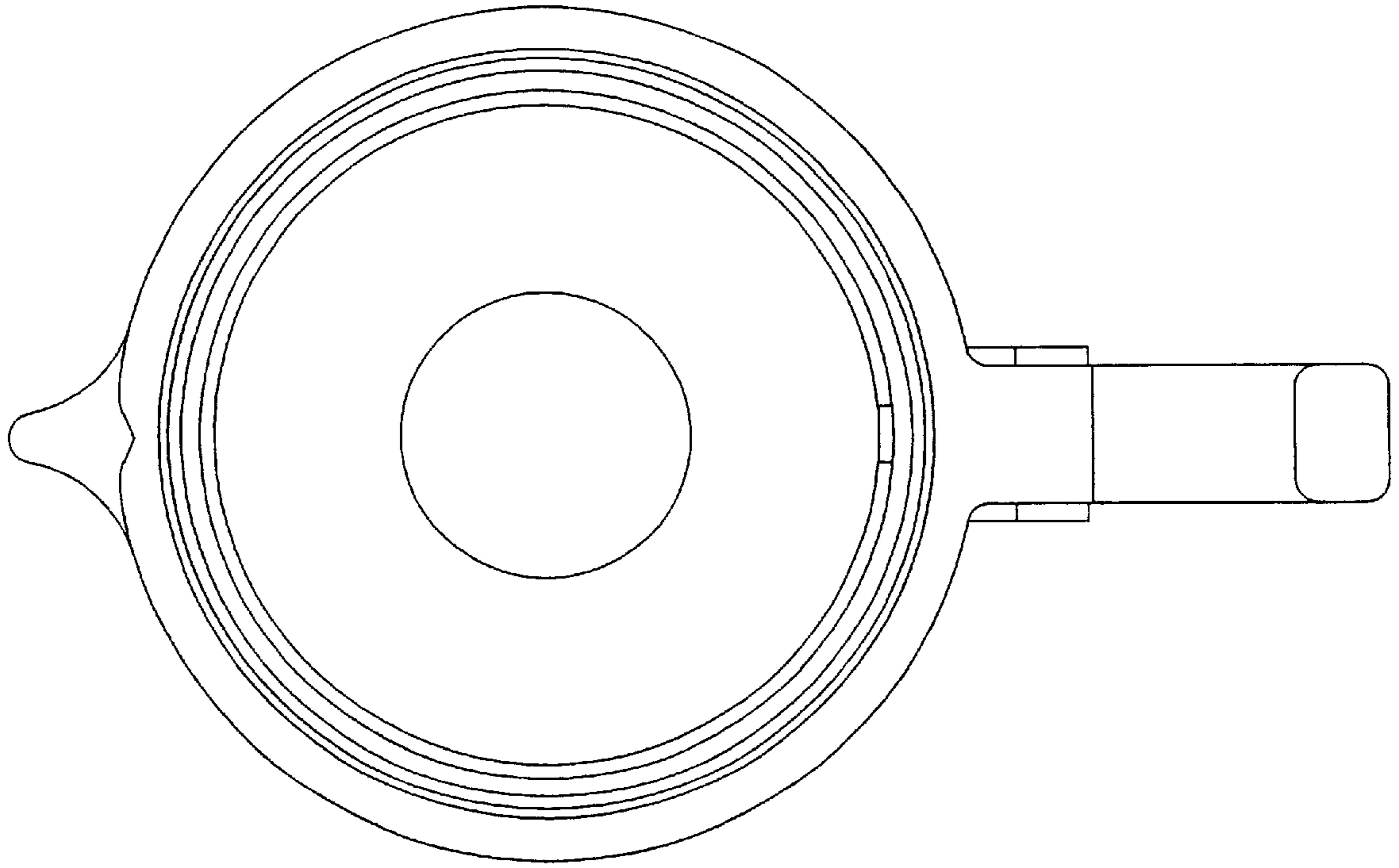
**Fig. 4**



**Fig. 5**



**Fig. 6**



**Fig. 7**