



US00D484355S

(12) **United States Design Patent**
De Gooijer

(10) **Patent No.:** **US D484,355 S**

(45) **Date of Patent:** **** Dec. 30, 2003**

(54) **BEVERAGE CONTAINER**

(75) Inventor: **J. H. De Gooijer**, Amsterdam (NL)

(73) Assignee: **Bravilor Holding B.V.**, Heerhugowaard (NL)

(**) Term: **14 Years**

(21) Appl. No.: **29/150,119**

(22) Filed: **Nov. 7, 2001**

(30) **Foreign Application Priority Data**

May 11, 2001 (BX) 78342-00

(51) **LOC (7) Cl.** **07-01**

(52) **U.S. Cl.** **D7/313; D7/312**

(58) **Field of Search** D7/300, 313, 312,
D7/320, 322, 321, 306, 608, 319; 222/131,
383, 209, 399; 220/326; 99/312; 16/257

(56) **References Cited**

U.S. PATENT DOCUMENTS

4,116,366 A * 9/1978 Takenakashima et al. .. 222/131
4,189,061 A * 2/1980 Yu 220/326
4,238,054 A * 12/1980 Chen 222/131
4,359,174 A * 11/1982 Ikunosuke et al. 222/131
D274,685 S * 7/1984 Ohmoto D7/313

4,464,983 A * 8/1984 Chappell et al. 99/312
D280,691 S * 9/1985 Santoiemma D7/312
D293,409 S * 12/1987 Seike et al. D7/313
D293,537 S * 1/1988 Seike et al. D7/313
D296,975 S * 8/1988 Nakagawa et al. D7/320
D323,265 S * 1/1992 Lu D7/320
D336,208 S * 6/1993 Gibert D7/312
D338,366 S * 8/1993 Ueda et al. D7/312
D394,778 S * 6/1998 Arns et al. D7/313
D408,209 S * 4/1999 Bhumra D7/312
6,105,809 A * 8/2000 Yamanaka 2/209
D431,410 S * 10/2000 Huang D7/313

* cited by examiner

Primary Examiner—M. N. Pandozzi

(74) *Attorney, Agent, or Firm*—Foley & Lardner

(57) **CLAIM**

The ornamental design for a beverage container, as shown.

DESCRIPTION

FIG. 1 is a perspective view

FIG. 2 is a front view

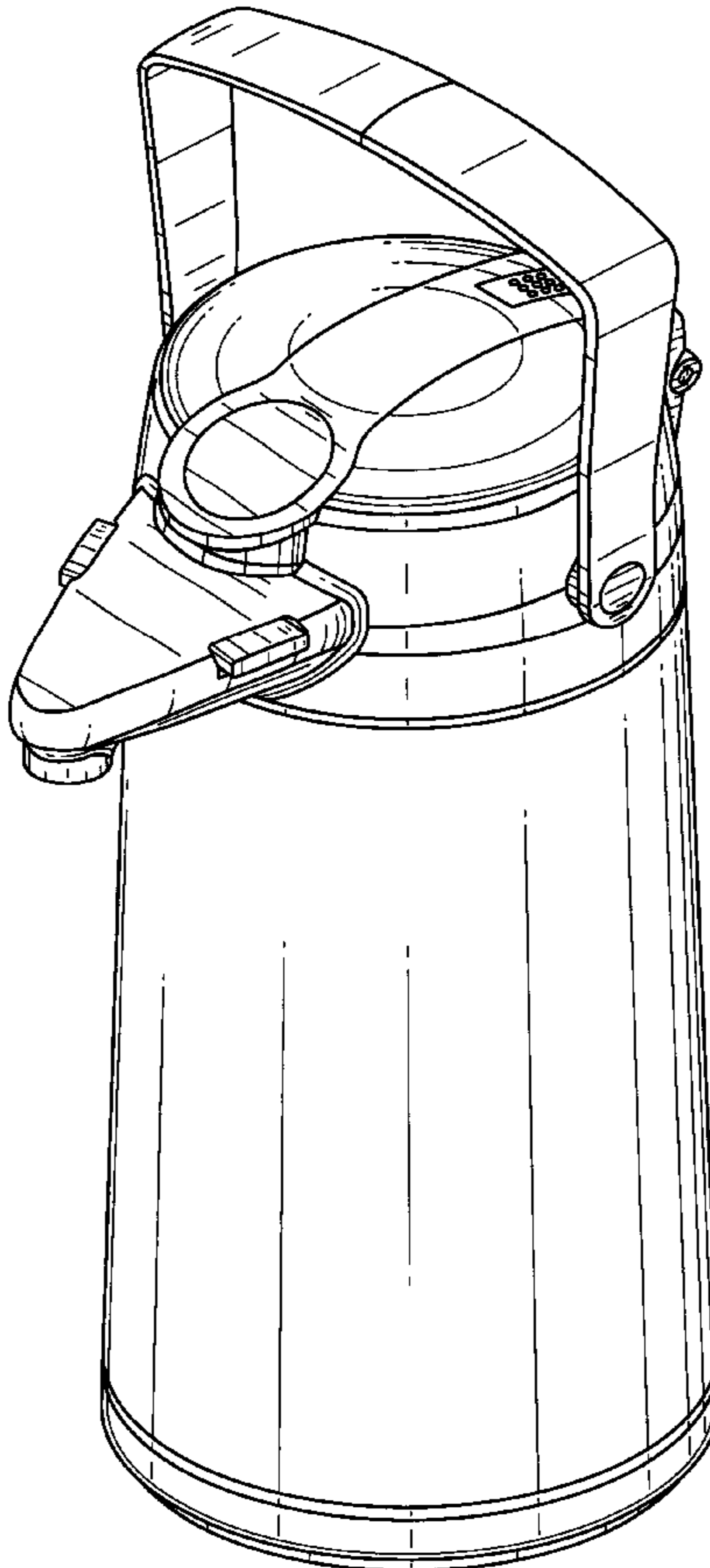
FIG. 3 is a rear view

FIG. 4 is a side view

FIG. 5 is a top view; and,

FIG. 6 is a bottom view.

1 Claim, 5 Drawing Sheets



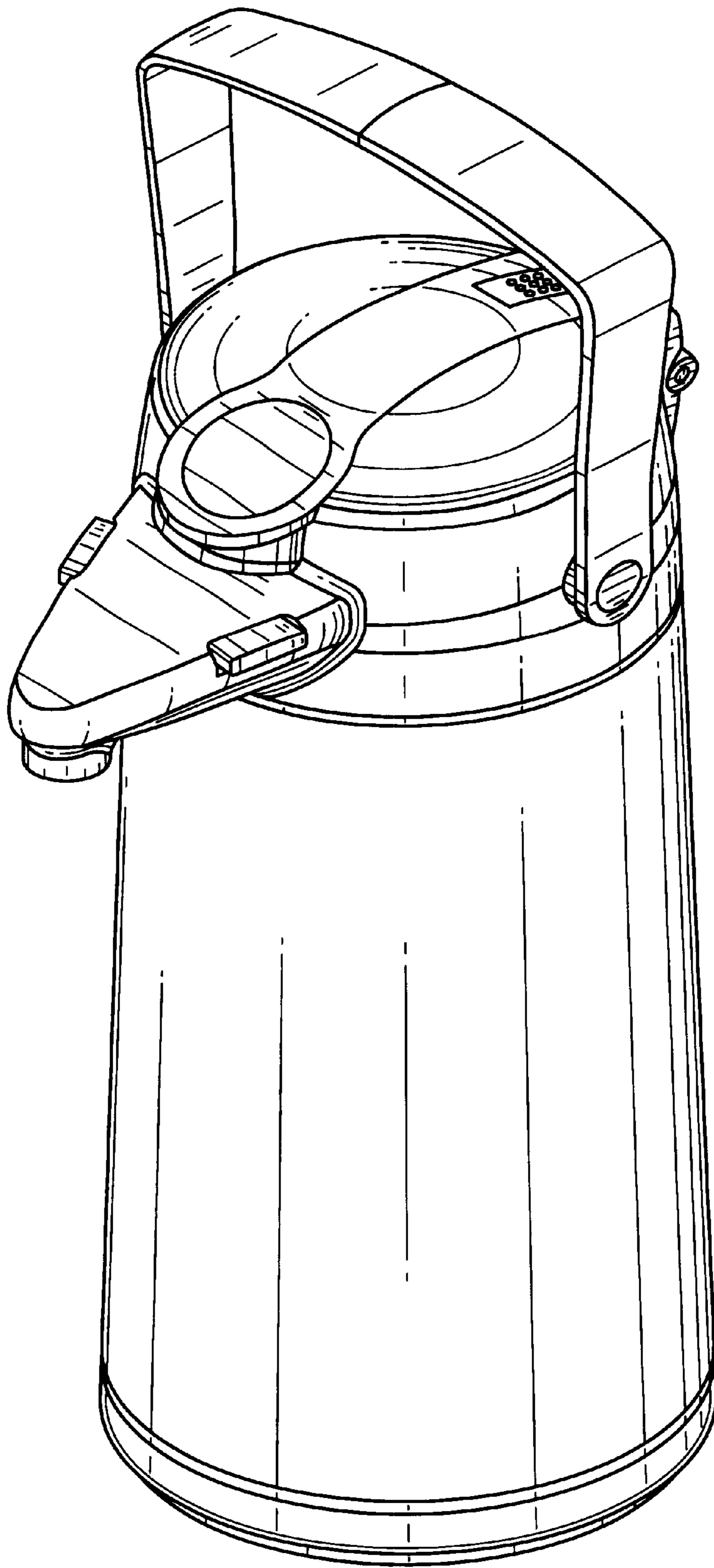


FIG. 1

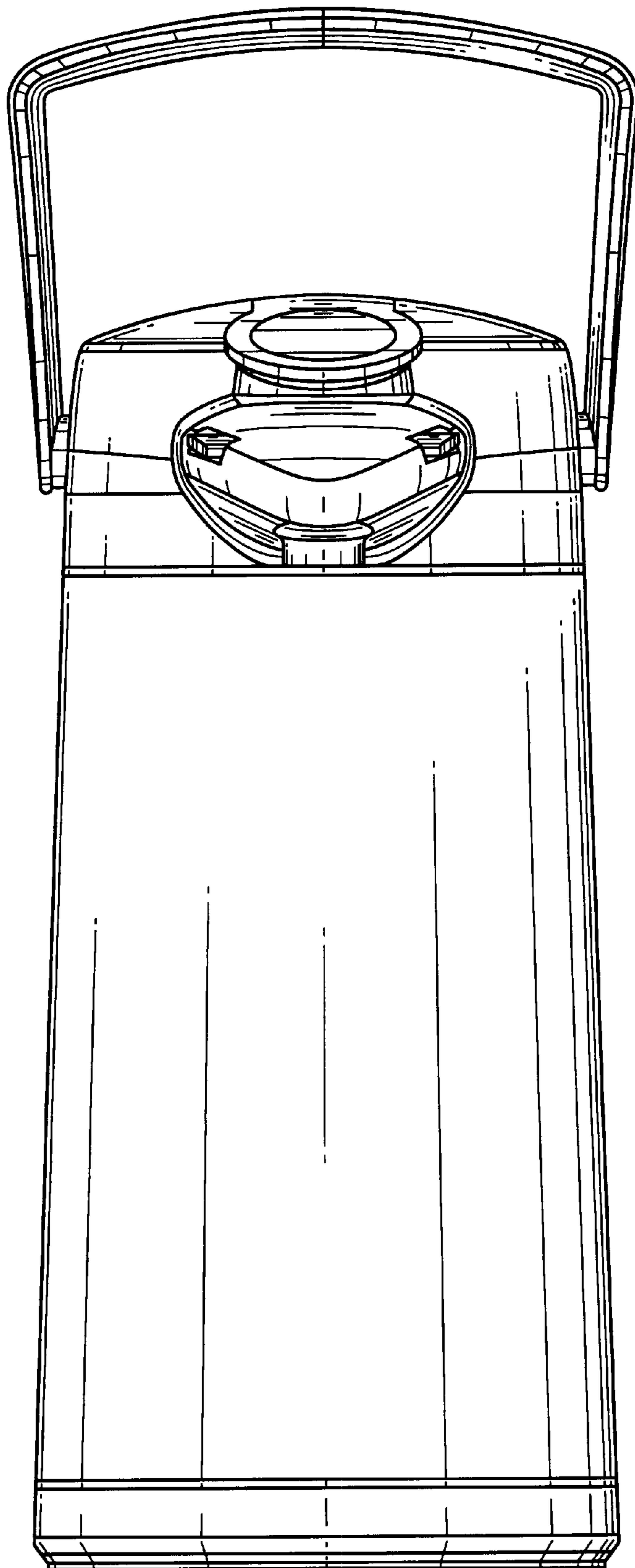


FIG. 2

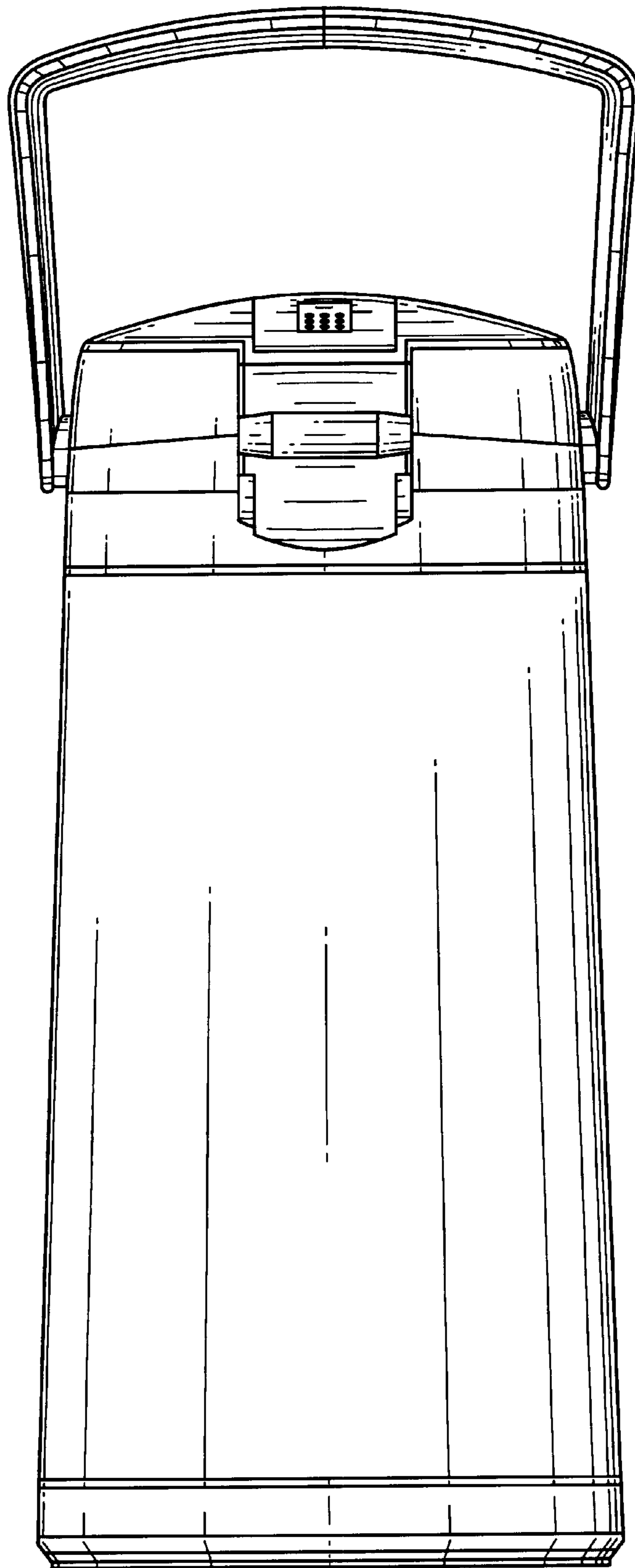


FIG. 3

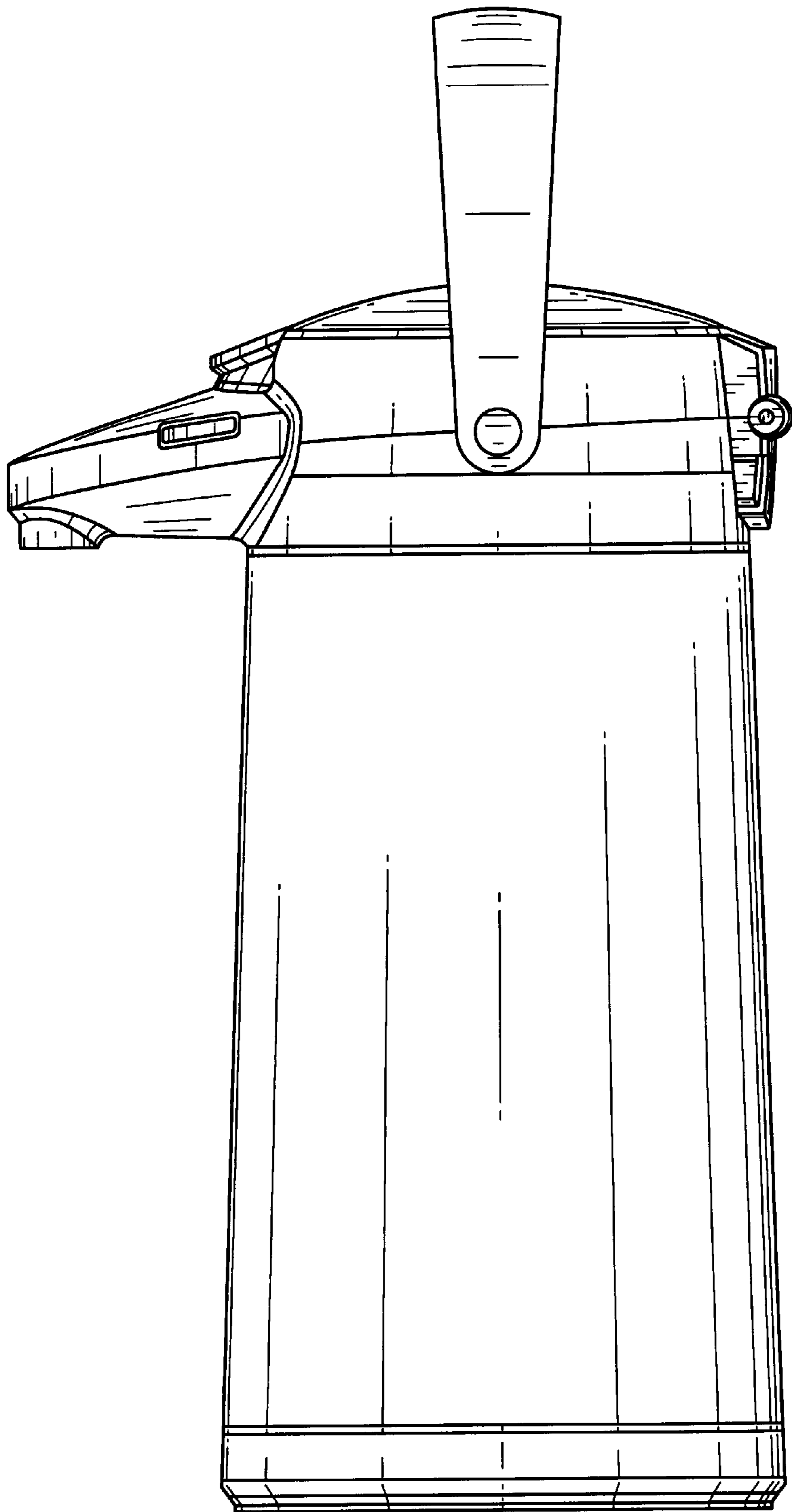


FIG. 4

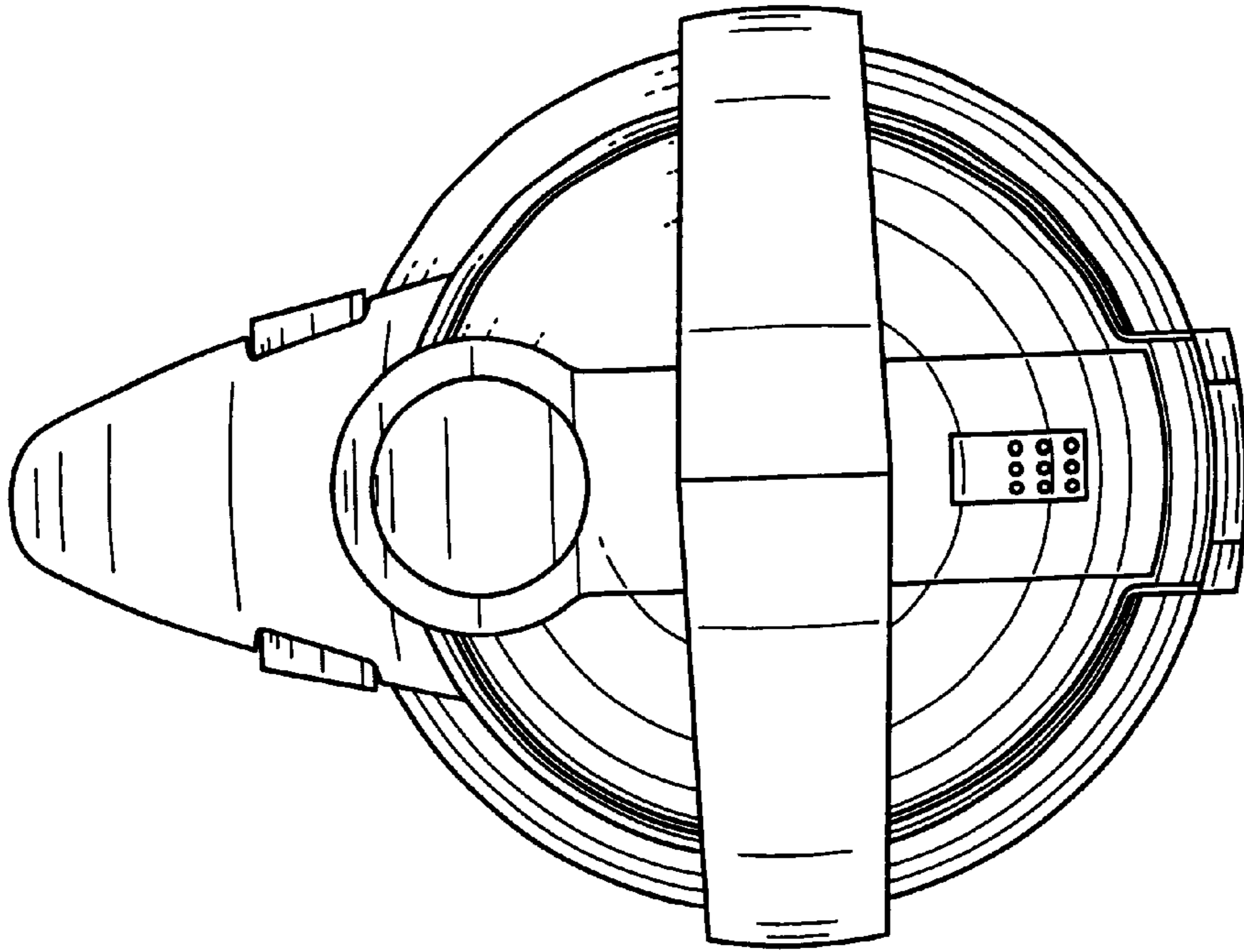


FIG. 5

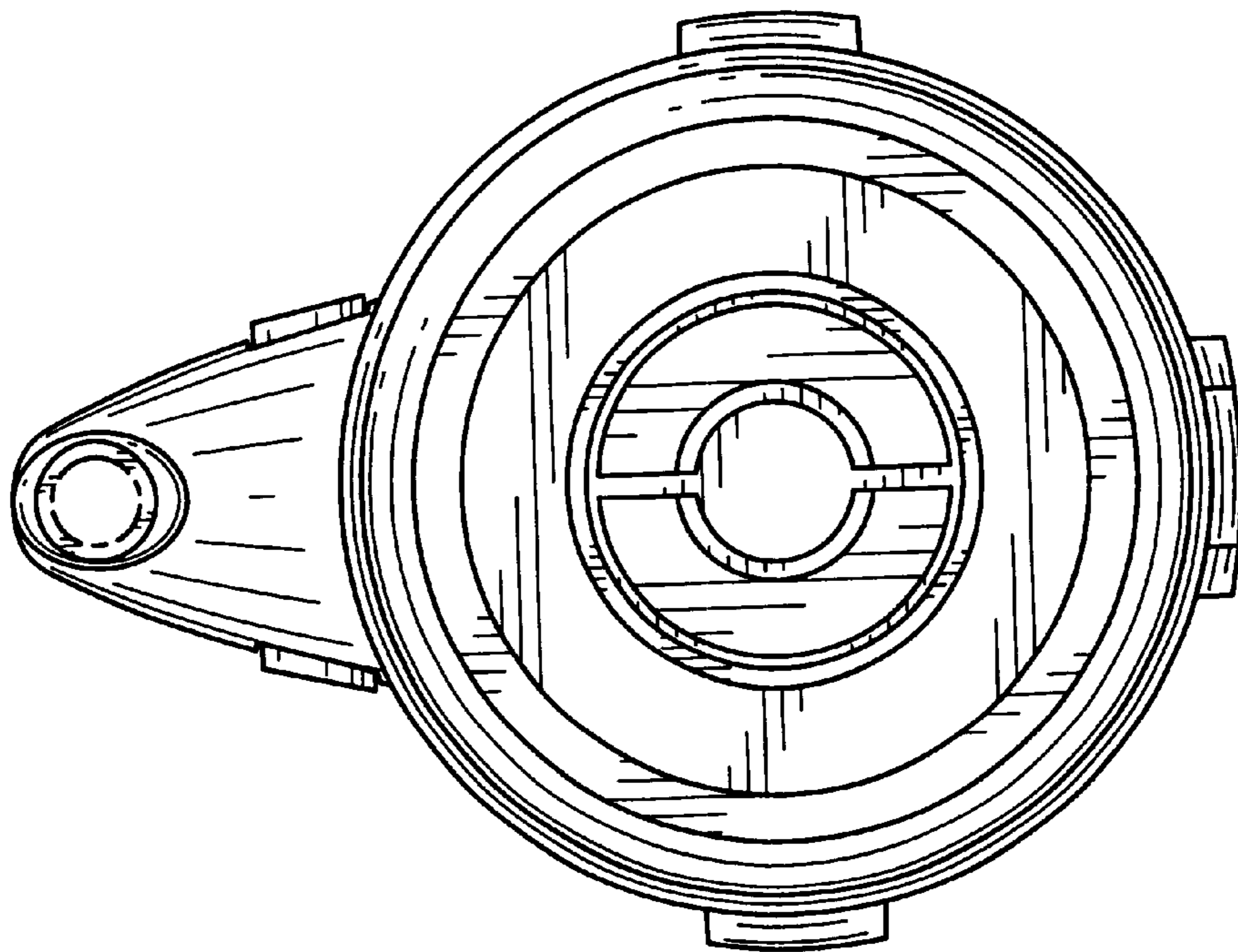


FIG. 6