



US00D484351S

(12) **United States Design Patent**
Bridge

(10) **Patent No.:** **US D484,351 S**

(45) **Date of Patent:** **** Dec. 30, 2003**

(54) **GOLF CART SEAT COVER**

(76) Inventor: **Deborah Y. Bridge**, P.O. Box 966,
Kaneohe, HI (US) 96744

(**) Term: **14 Years**

(21) Appl. No.: **29/172,173**

(22) Filed: **Dec. 6, 2002**

(51) **LOC (7) Cl.** **06-13**

(52) **U.S. Cl.** **D6/611**

(58) **Field of Search** D6/595, 601, 610,
D6/611; D12/16, 481; 224/274, 275, 484;
5/652, 653, 654, 655, 922; 280/DIG. 5;
150/154, 189; 297/223, 224, 227, 225,
226, 228.1, 219.1, 228.13, DIG. 6

(56) **References Cited**

U.S. PATENT DOCUMENTS

2,649,900	A	*	8/1953	Pfankuch	5/653
2,744,567	A	*	5/1956	Larkin	297/228.11
D190,794	S	*	7/1961	Anson	D6/601
D395,023	S	*	6/1998	Hikida	D12/16
5,975,390	A	*	11/1999	Saroli	224/274
D437,170	S	*	2/2001	Atwell et al.	D6/611
6,254,182	B1		7/2001	Townsend		
6,279,993	B1		8/2001	Berthiaume		

* cited by examiner

Primary Examiner—Louis S. Zarfes

Assistant Examiner—Monica A. Weingart

(74) *Attorney, Agent, or Firm*—Leighton K. Chong;
Ostrager Chong & Flaherty (Hawaii)

(57) **CLAIM**

The ornamental design for the golf cart seat cover, as shown and described.

DESCRIPTION

FIG. 1 is a perspective view of my new design in a first embodiment of a golf cart seat cover which fits elastically over a golf cart seat and has a built-in storage pocket formed at the rear side of the golf cart seat cover.

FIG. 2 is a top view of the article shown in FIG. 1;

FIG. 3 is a bottom view of the article shown in FIG. 1;

FIG. 4 is a front elevation view of the article shown in FIG. 1;

FIG. 5 is a rear elevation view of the article shown in FIG. 1;

FIG. 6 is a left side view of the article shown in FIG. 1 (right side view is mirror image);

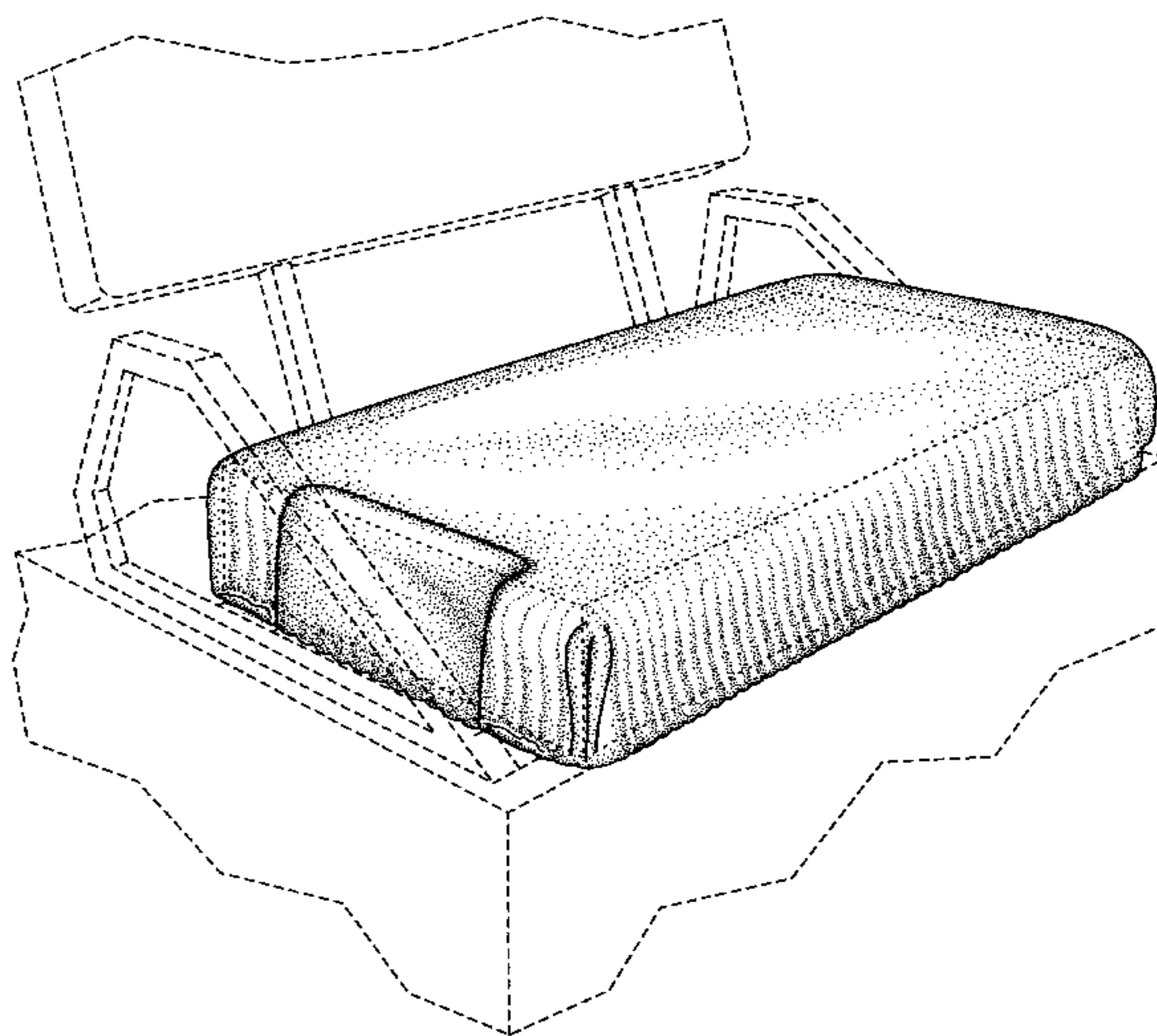
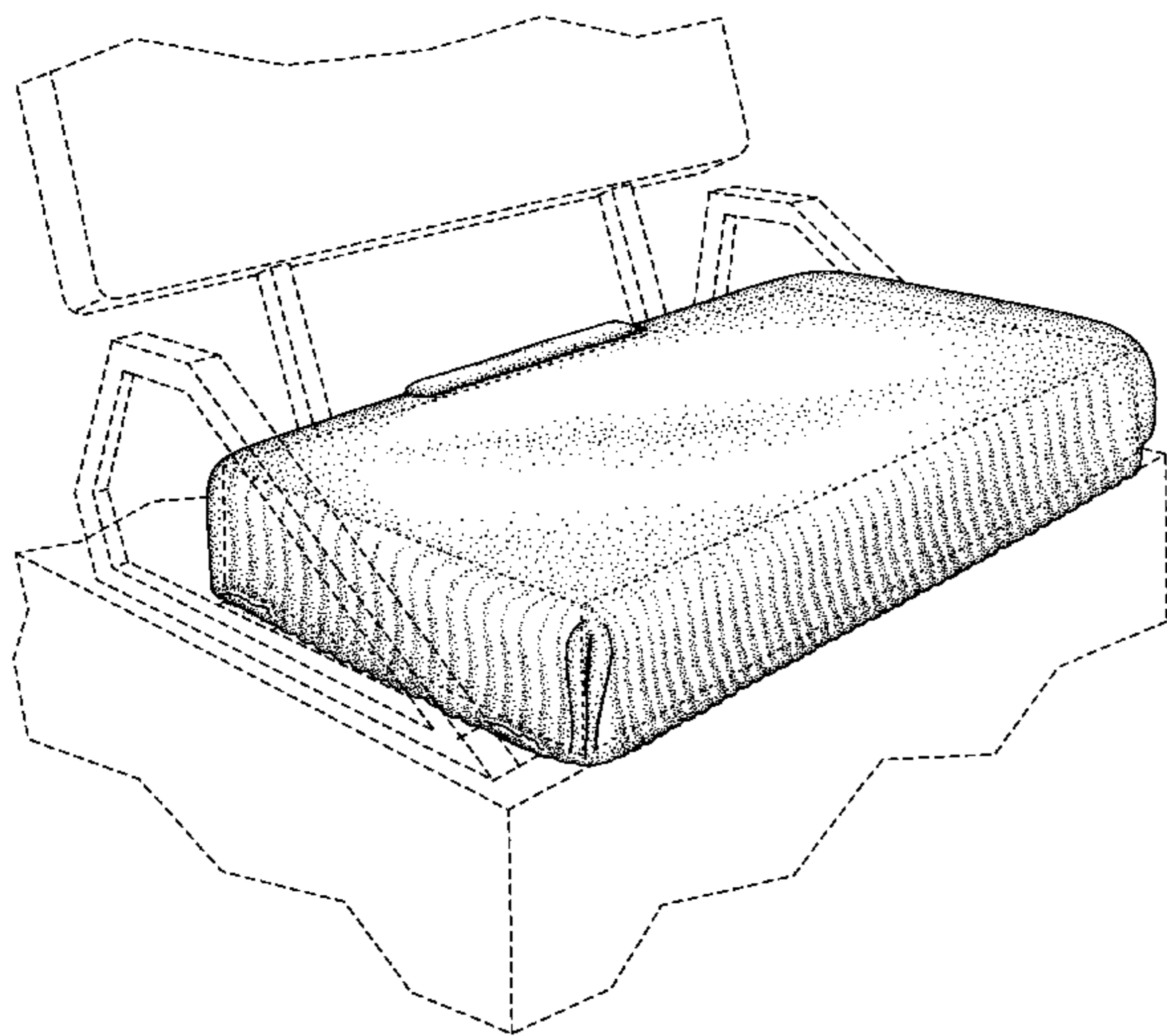
FIG. 7 is a perspective view of the article in FIG. 1 fitted on a golf cart seat shown in a hinged-seat-up position.

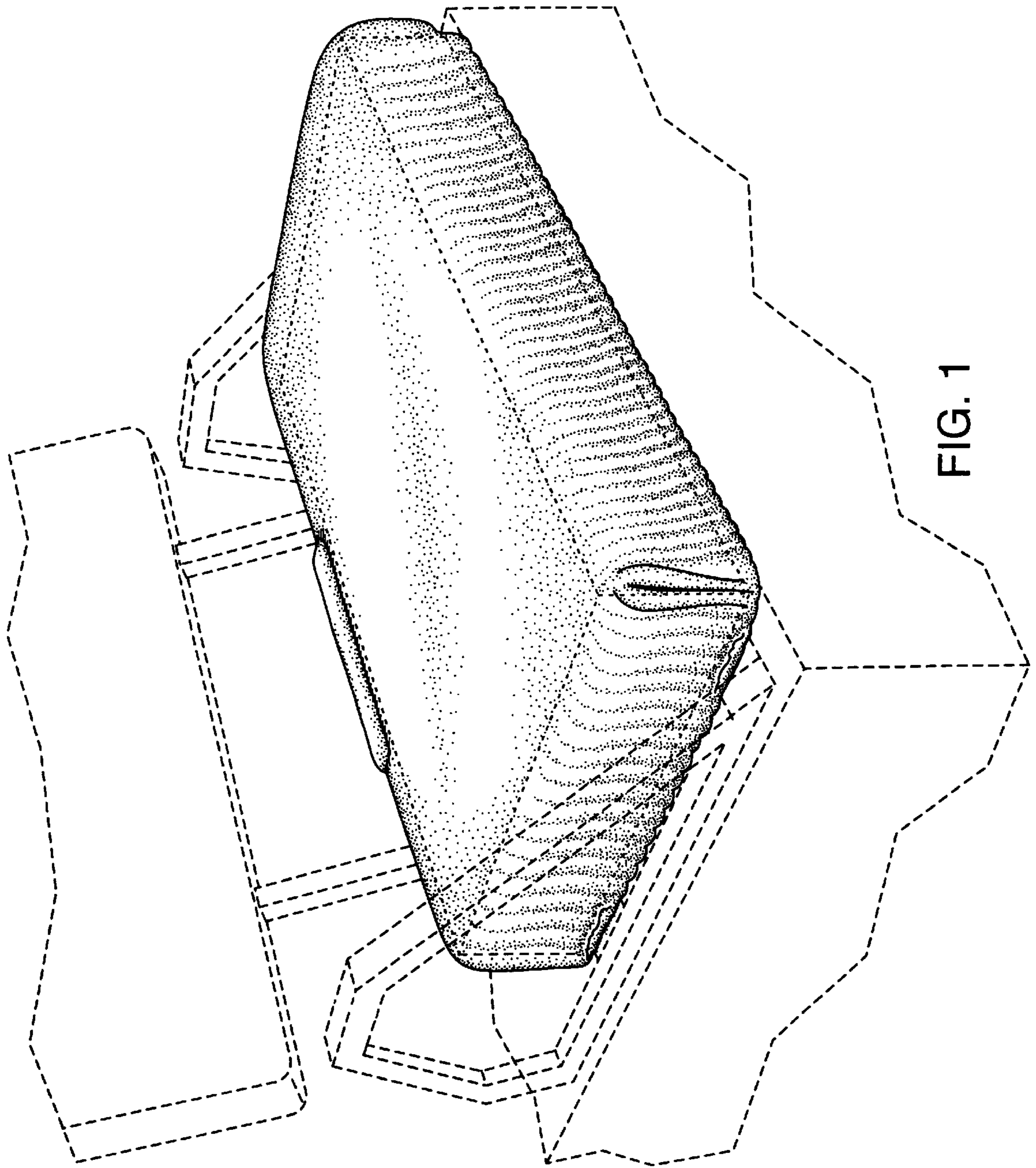
FIG. 8 is a perspective view of my new design of a second embodiment of a golf cart seat cover with a built-in storage pocket on the left side, said design being otherwise the same as the design shown in FIG. 1; and,

FIG. 9 is a perspective view of the design of FIG. 8 fitted on a golf cart seat shown in a hinged-seat up position.

The broken line showing of a portion of a golf seat in FIGS. 1, and 2-9, is for illustrative purposes only and forms no part of the claimed design.

1 Claim, 7 Drawing Sheets





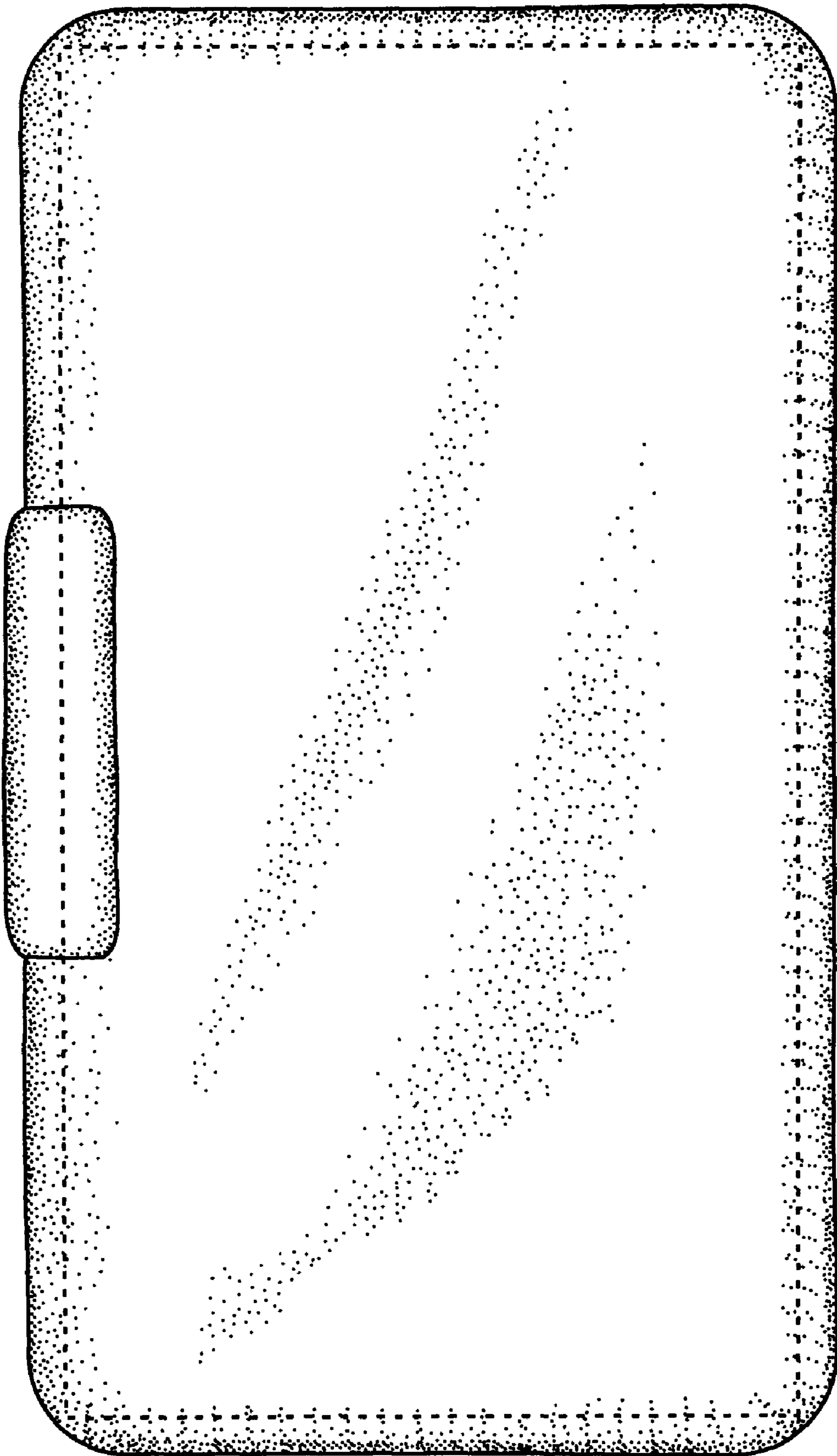


FIG. 2

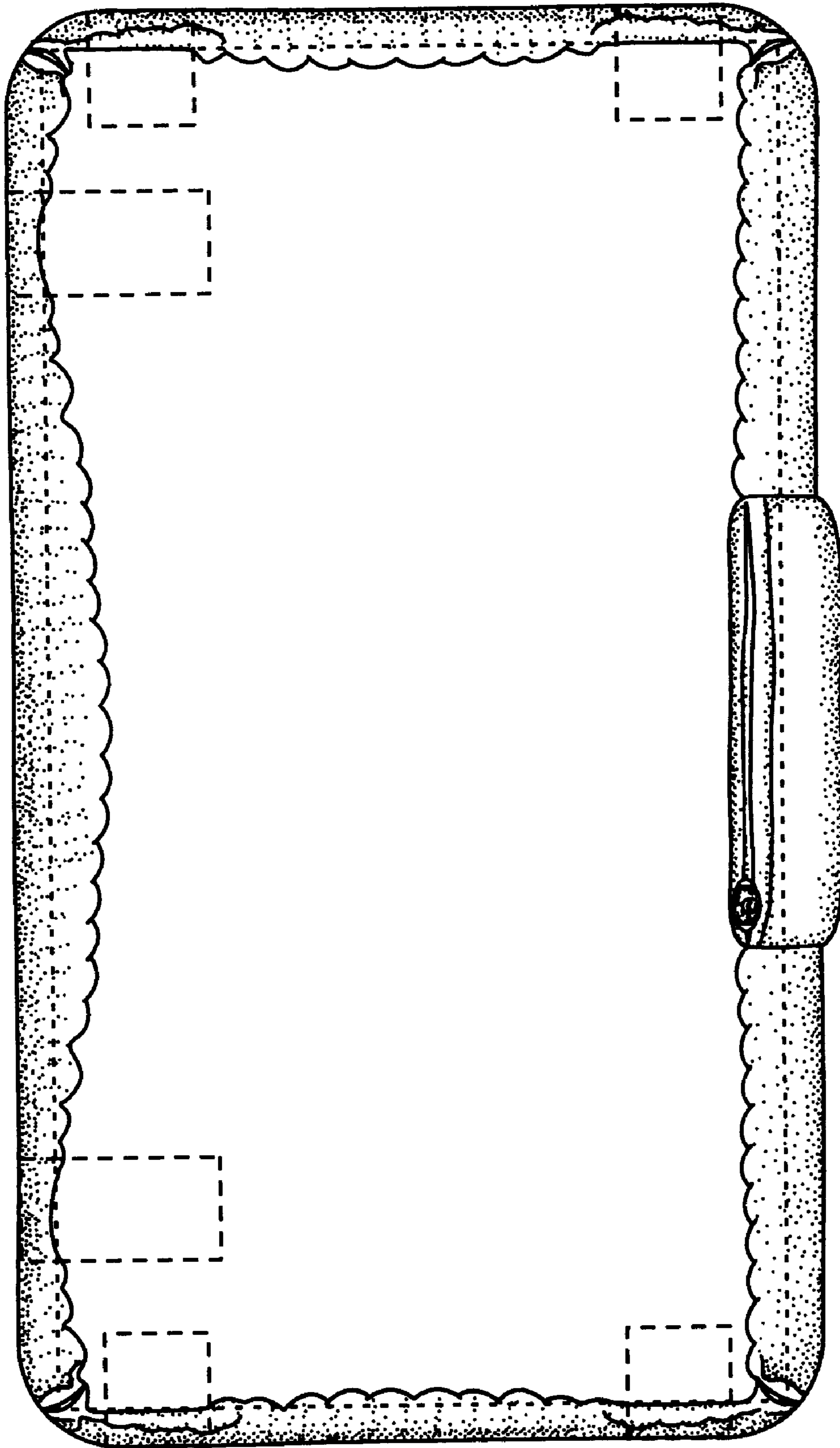


FIG. 3

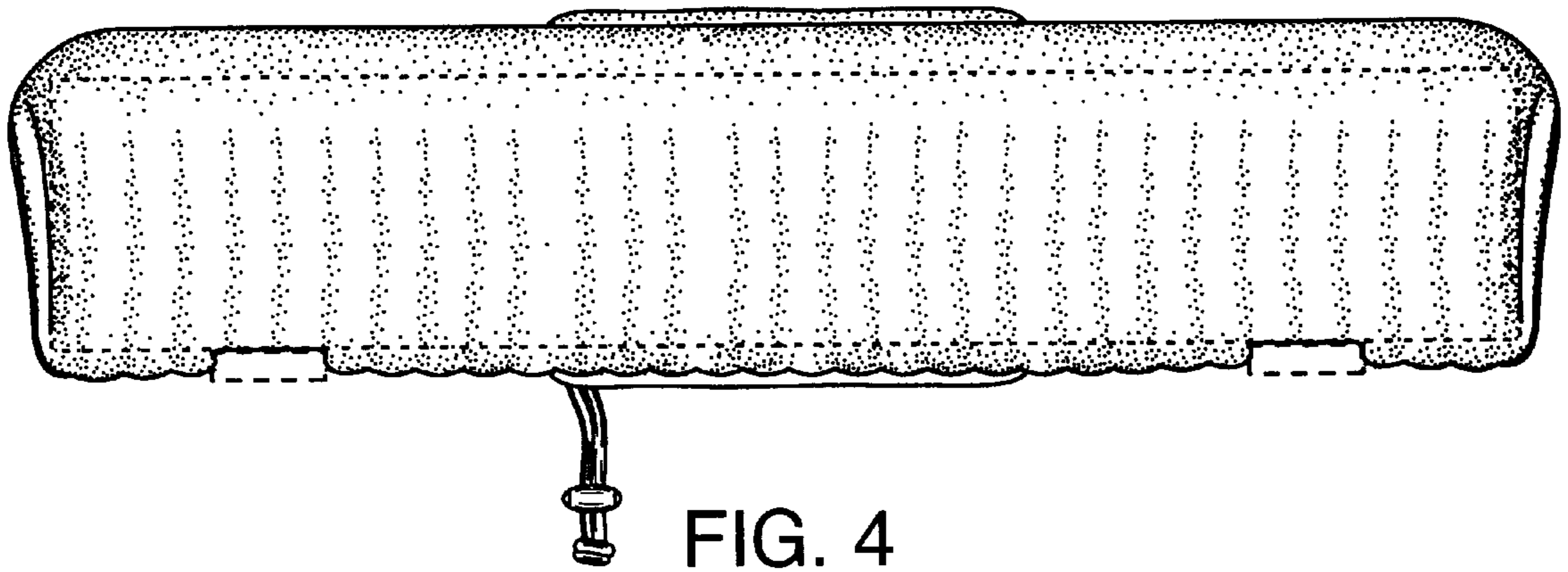


FIG. 4

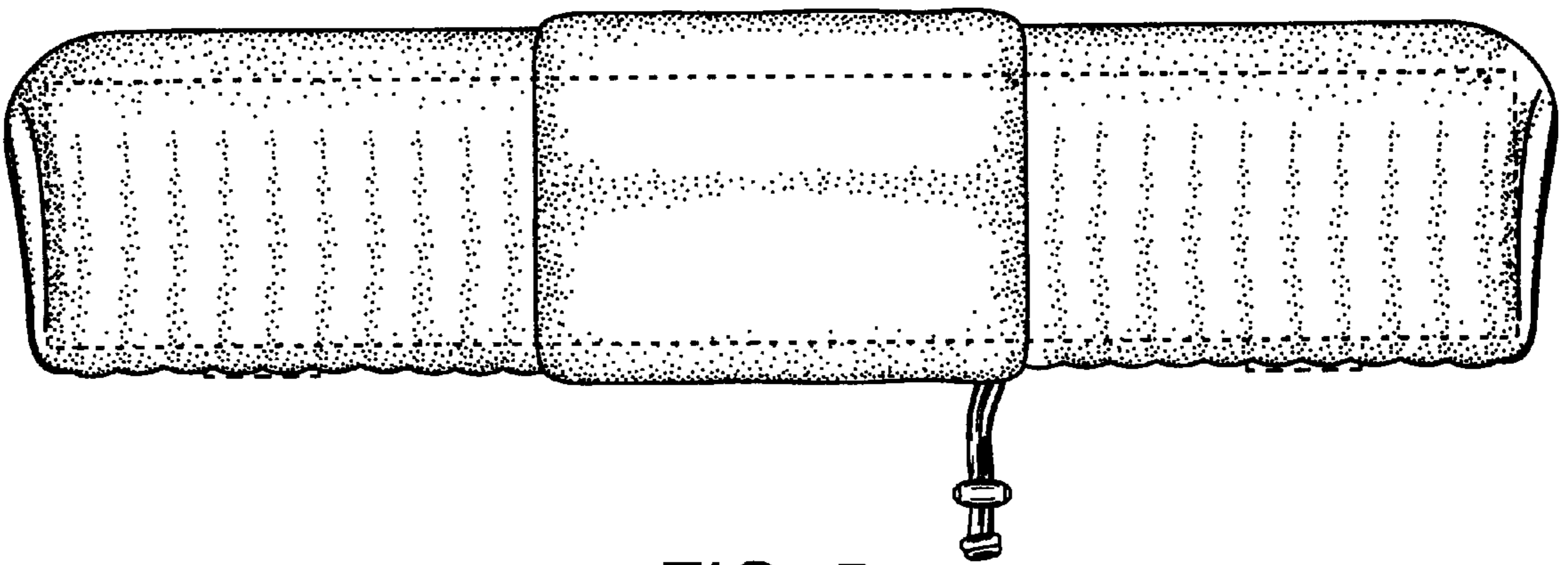


FIG. 5

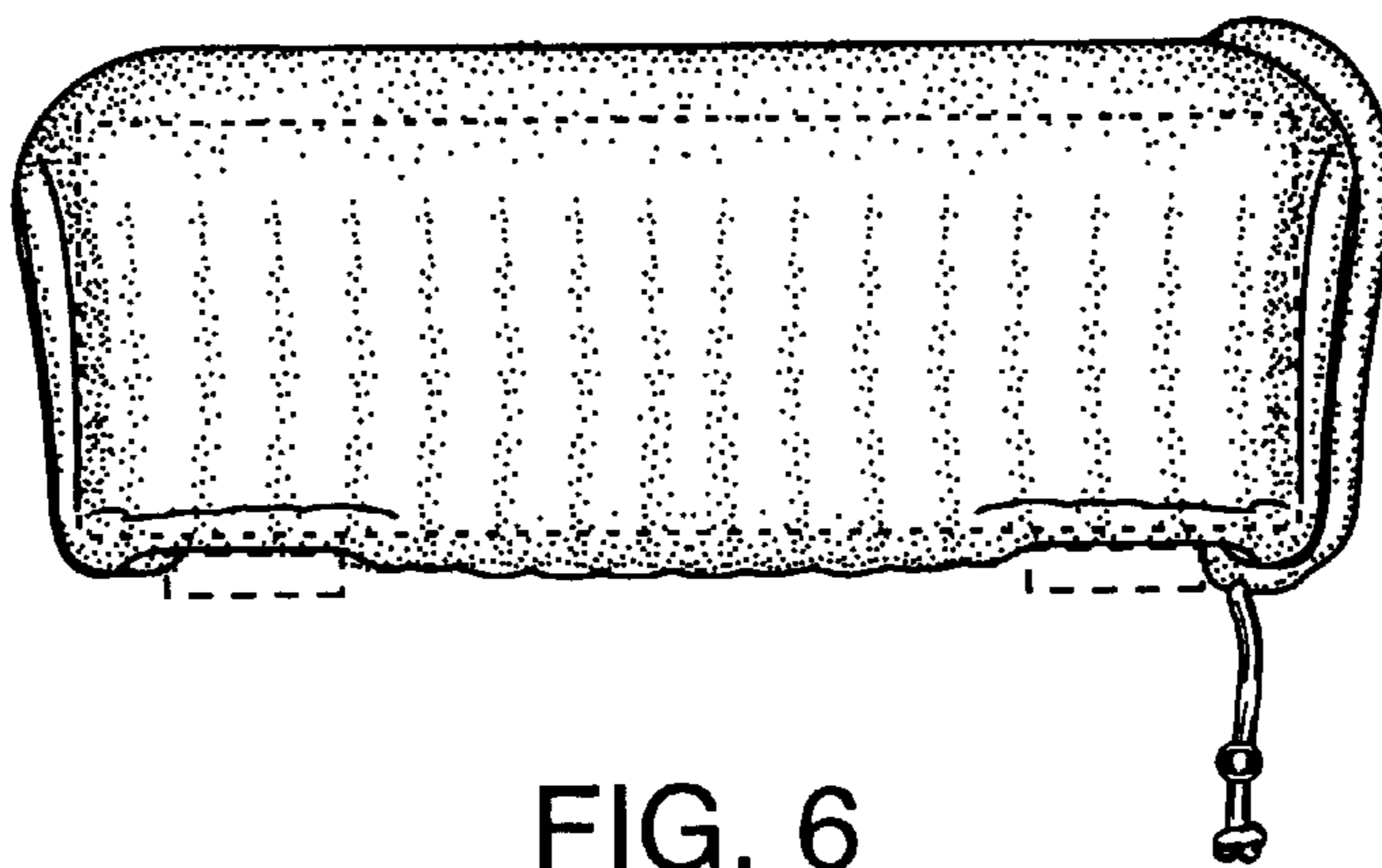


FIG. 6

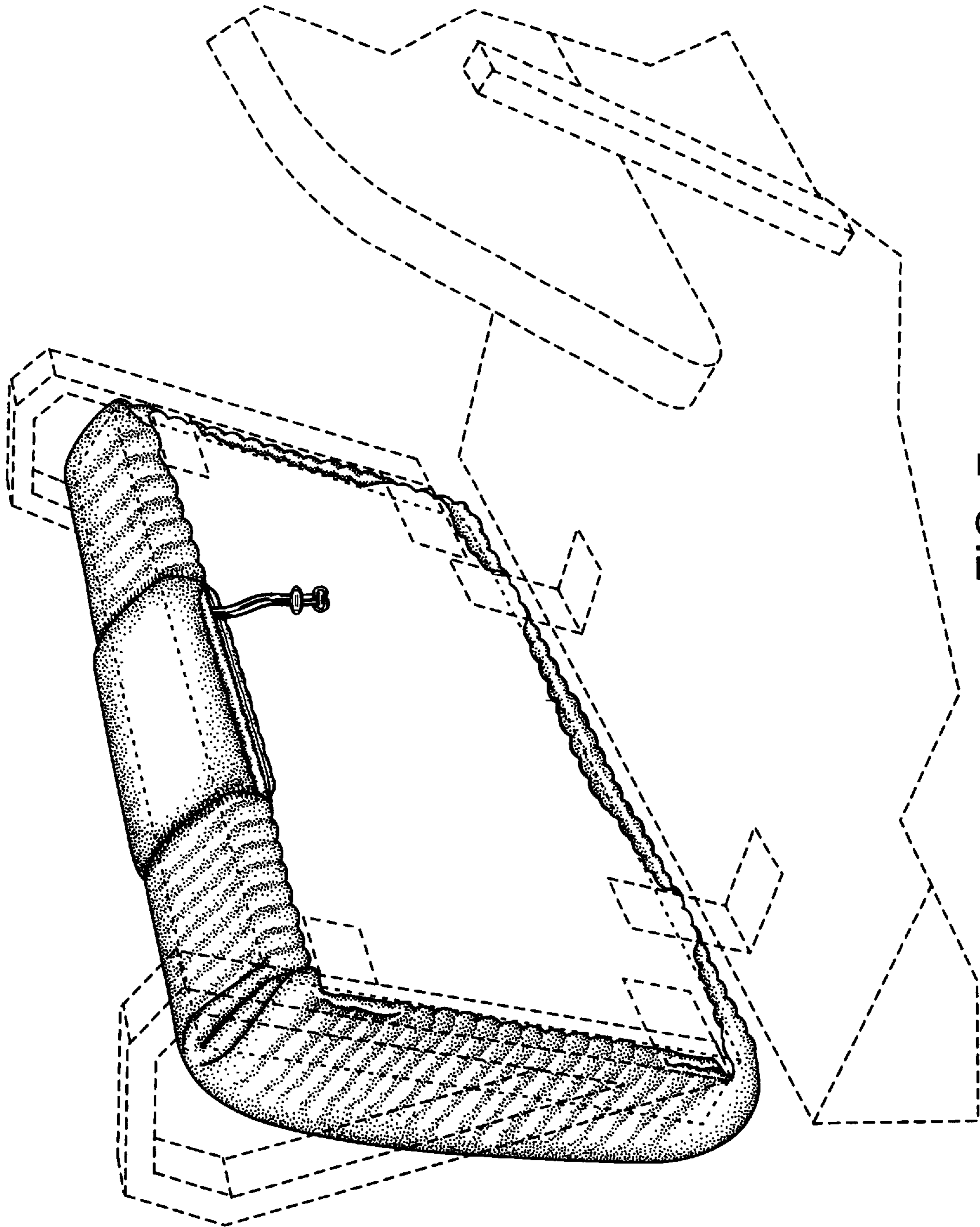


FIG. 7

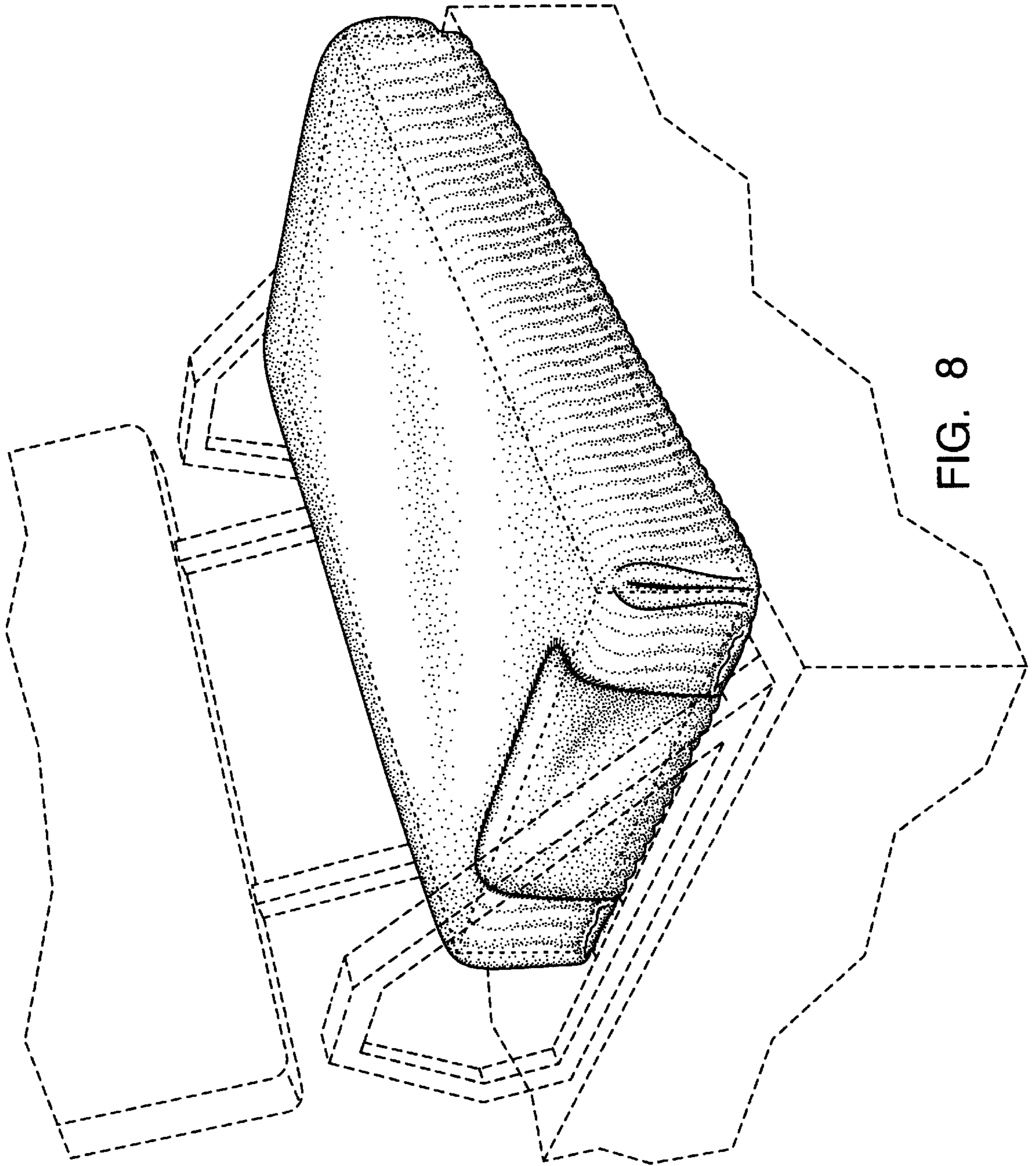


FIG. 8

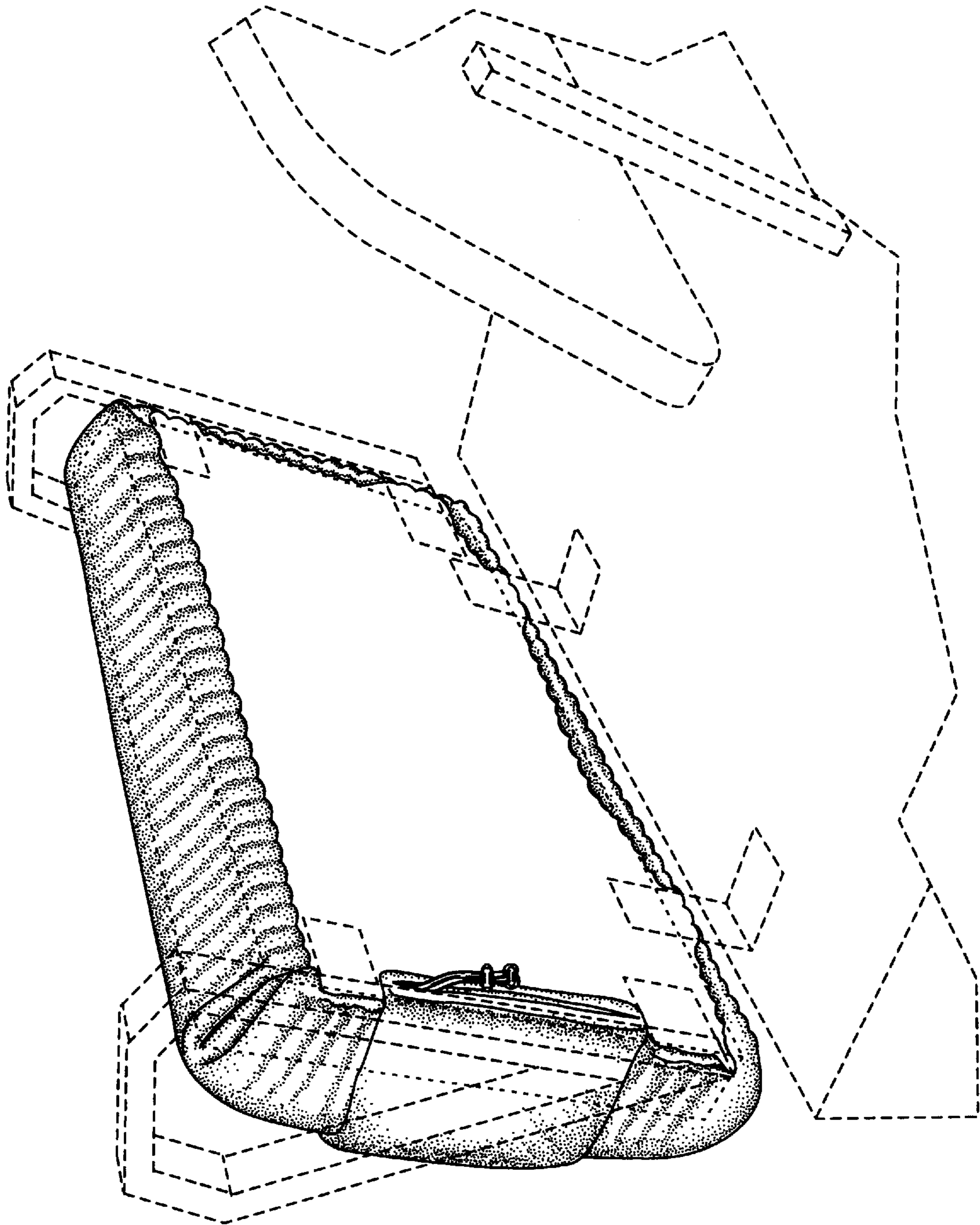


FIG. 9