



US00D484346S

(12) **United States Design Patent**
Shamoon

(10) **Patent No.:** **US D484,346 S**

(45) **Date of Patent:** **** Dec. 30, 2003**

(54) **WALL ORGANIZER SHALLOW CONTAINER**

D311,657 S * 10/1990 Pate D6/574
D398,470 S * 9/1998 St-Pierre et al. D6/574

(76) **Inventor:** **Ellis N. Shamoon**, 2833 Park Bridge Ct., Dallas, TX (US) 75219

* cited by examiner

(**) **Term:** **14 Years**

Primary Examiner—Brian N. Vinson
(74) *Attorney, Agent, or Firm*—Daniel V. Thompson

(21) **Appl. No.:** **29/179,662**

(57) **CLAIM**

(22) **Filed:** **Apr. 9, 2003**

The ornamental design for a “wall organizer shallow container”, as shown and described.

(51) **LOC (7) Cl.** **06-04**

DESCRIPTION

(52) **U.S. Cl.** **D6/574**

(58) **Field of Search** D6/553, 567, 574,
D6/536, 540; D3/304, 901; 206/77.1, 557;
211/13.1, 85.1, 85.2, 71.01, 86.01, 87.01,
88.01, 90.01, 126.1, 134

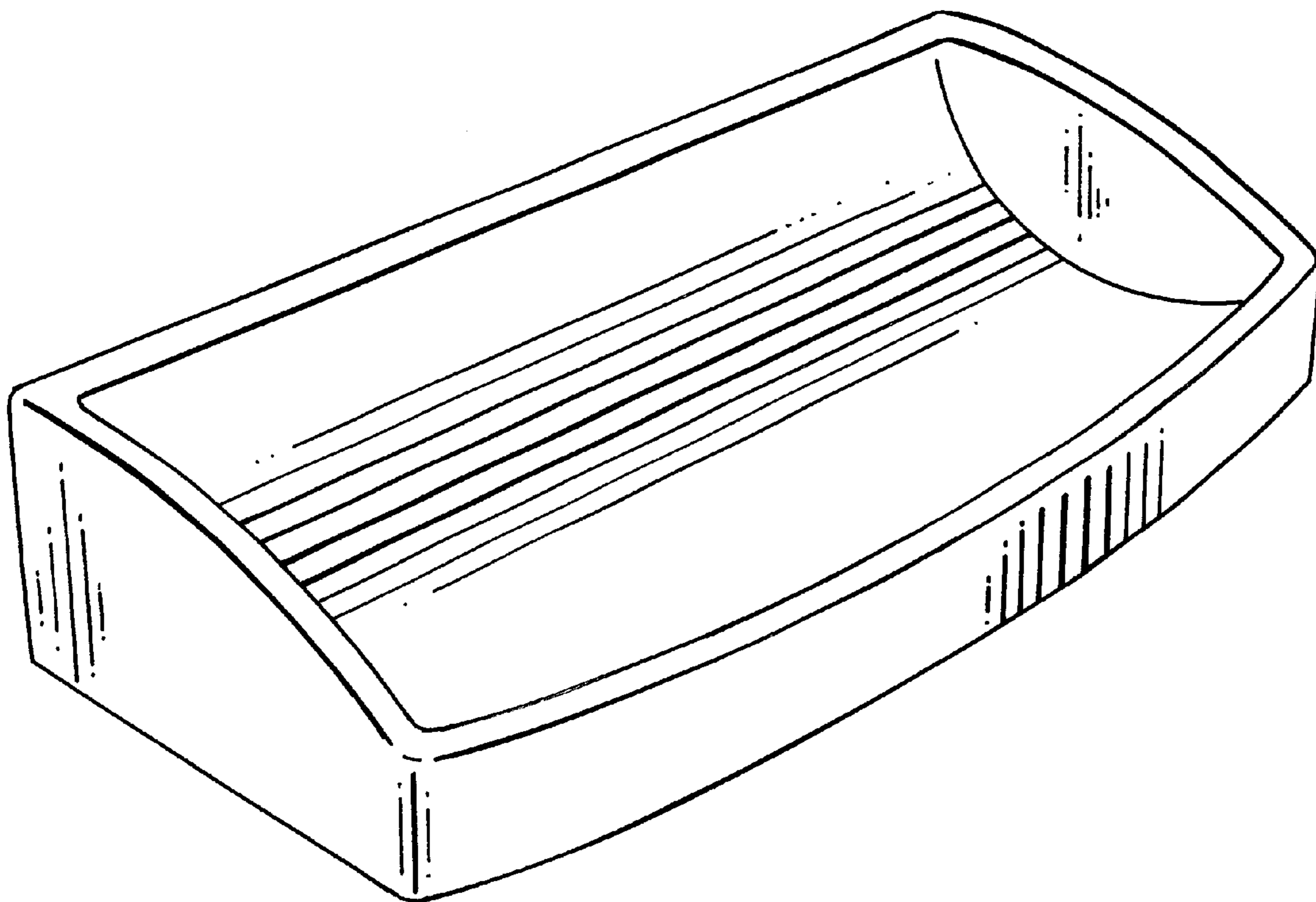
FIG. 1 is a perspective view;
FIG. 2 is a front view;
FIG. 3 is a back view;
FIG. 4 is a top view;
FIG. 5 is a bottom view;
FIG. 6 is a side view; and,
FIG. 7 is a side view similar to FIG. 6 rotated 180 degrees.

(56) **References Cited**

U.S. PATENT DOCUMENTS

D280,583 S * 9/1985 Evenson D6/574
D287,200 S * 12/1986 Gecchelin D6/574
D310,928 S * 10/1990 Murphy D6/574

1 Claim, 3 Drawing Sheets



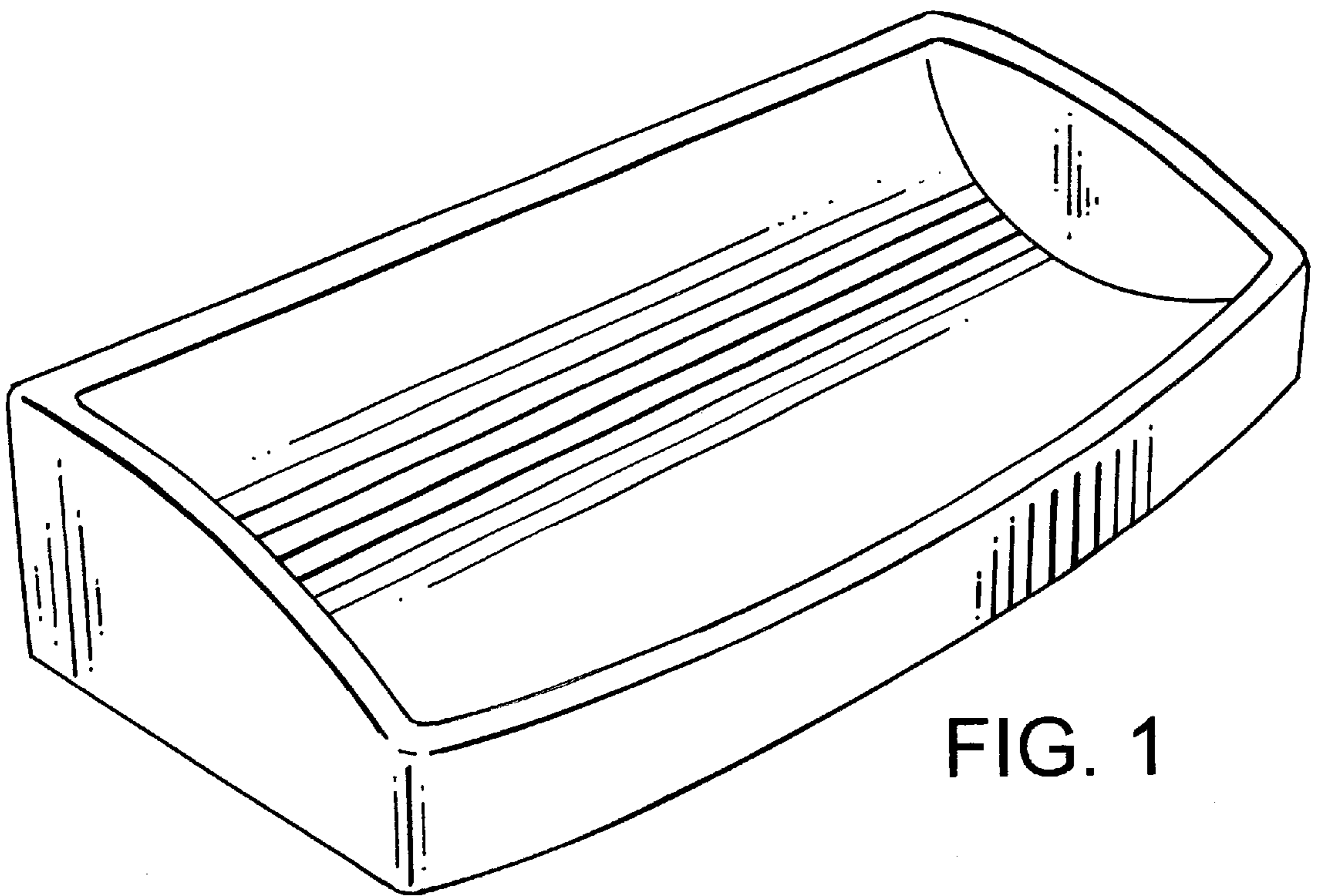


FIG. 1

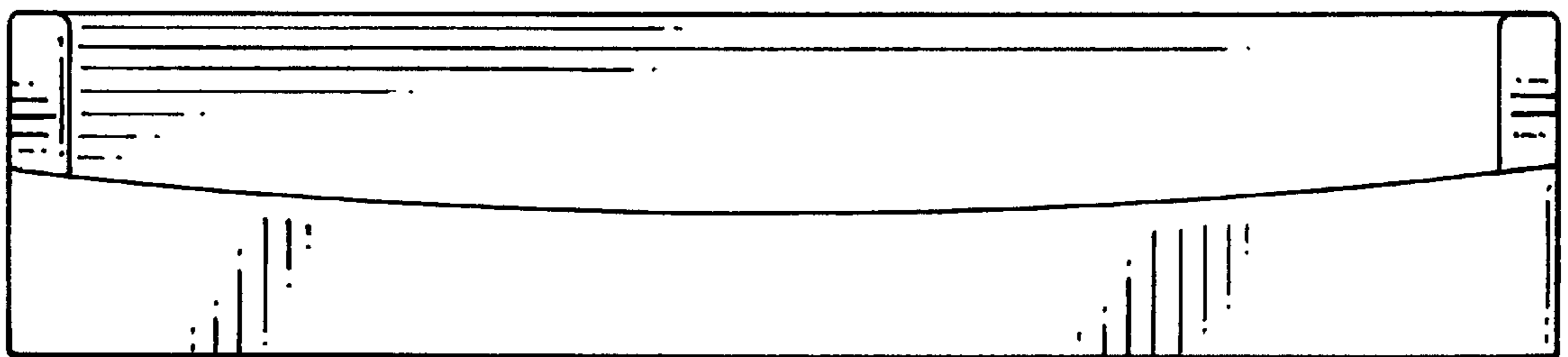


FIG. 2

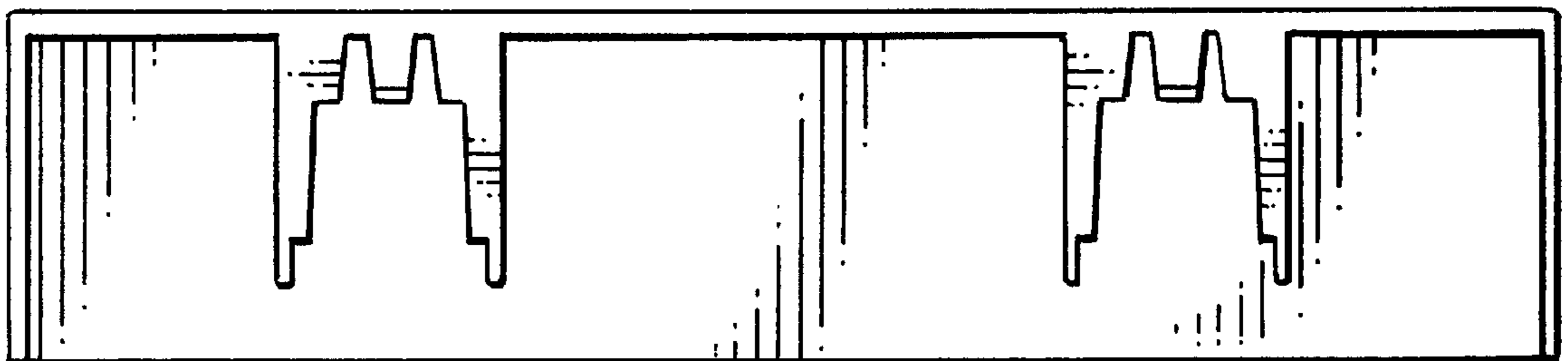


FIG. 3

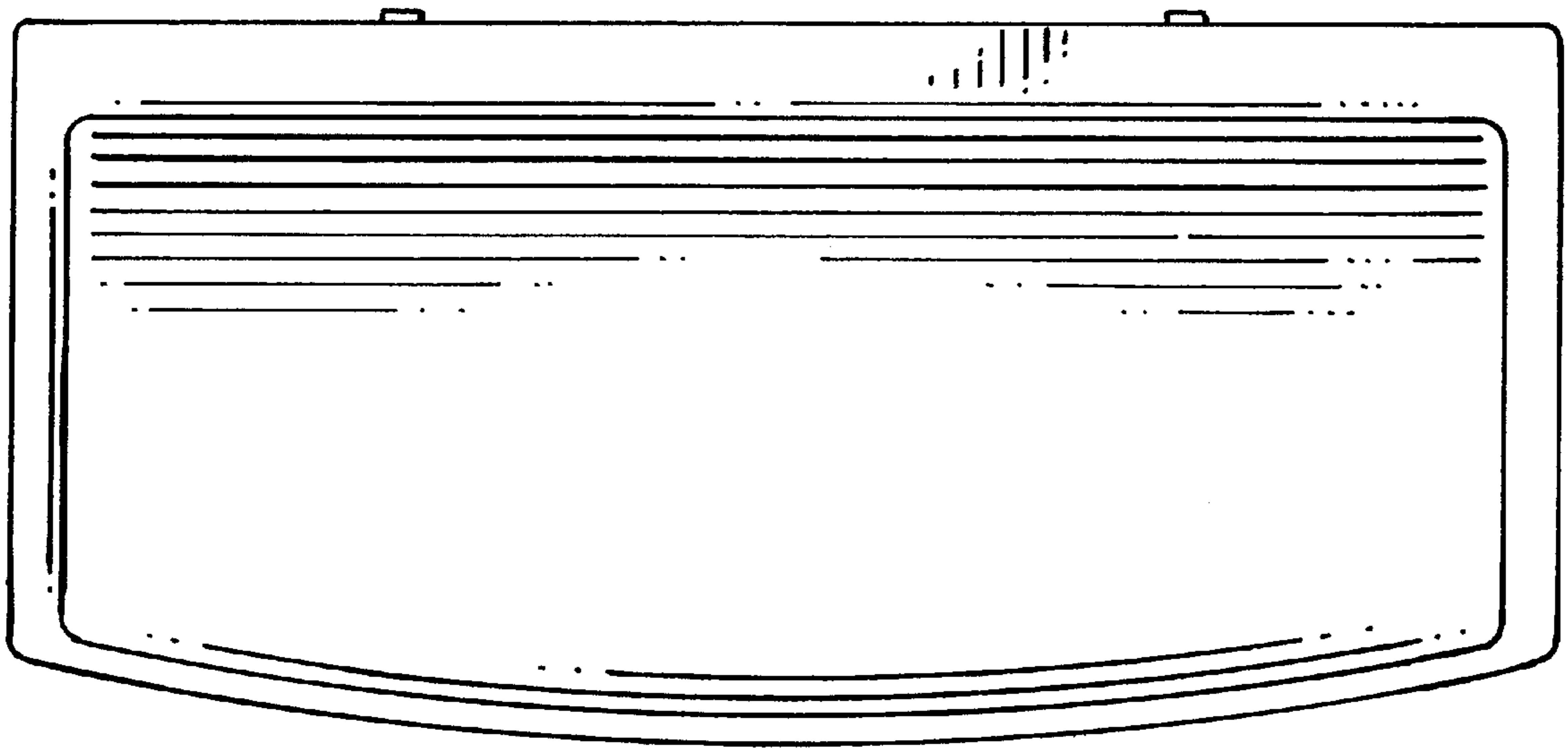


FIG. 4

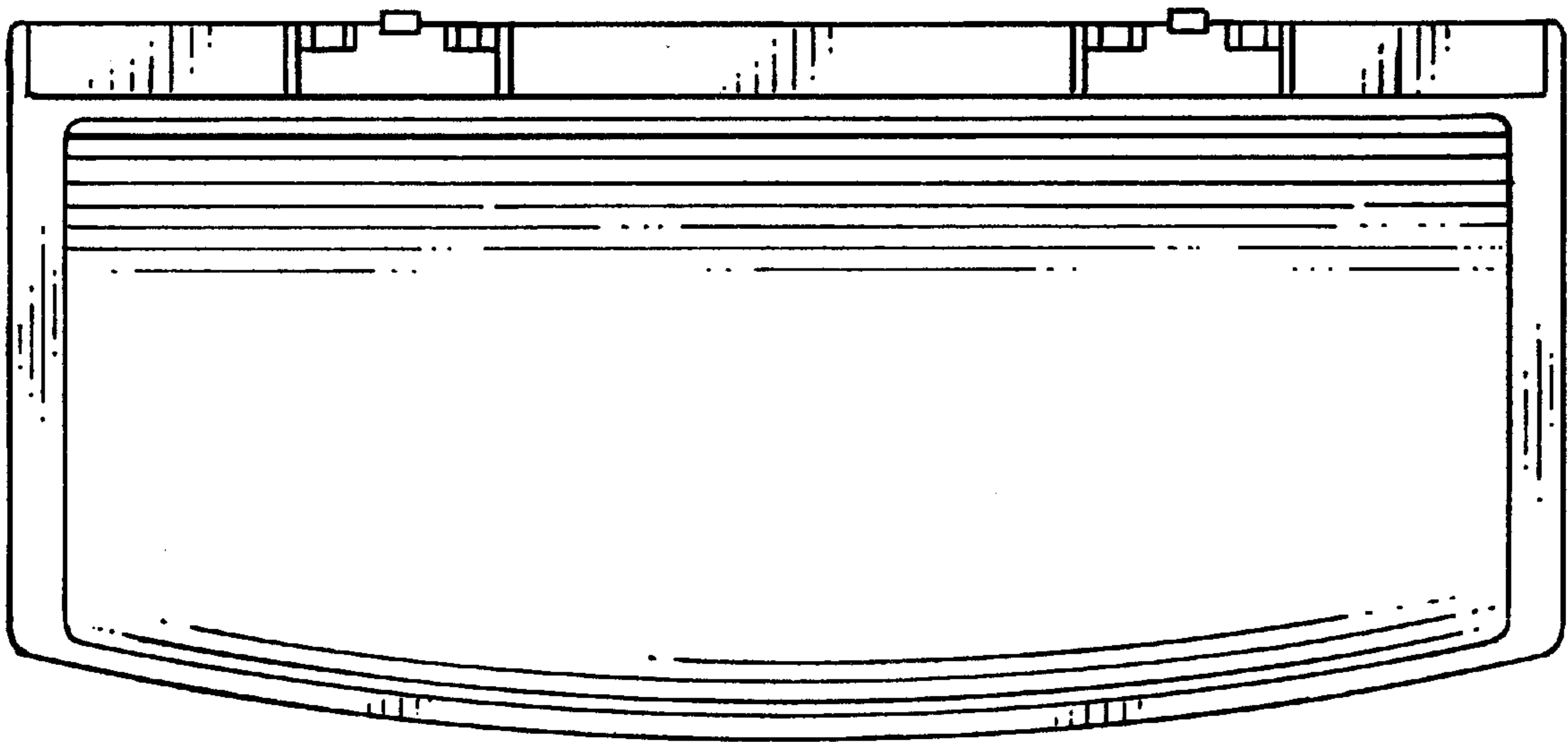


FIG. 5

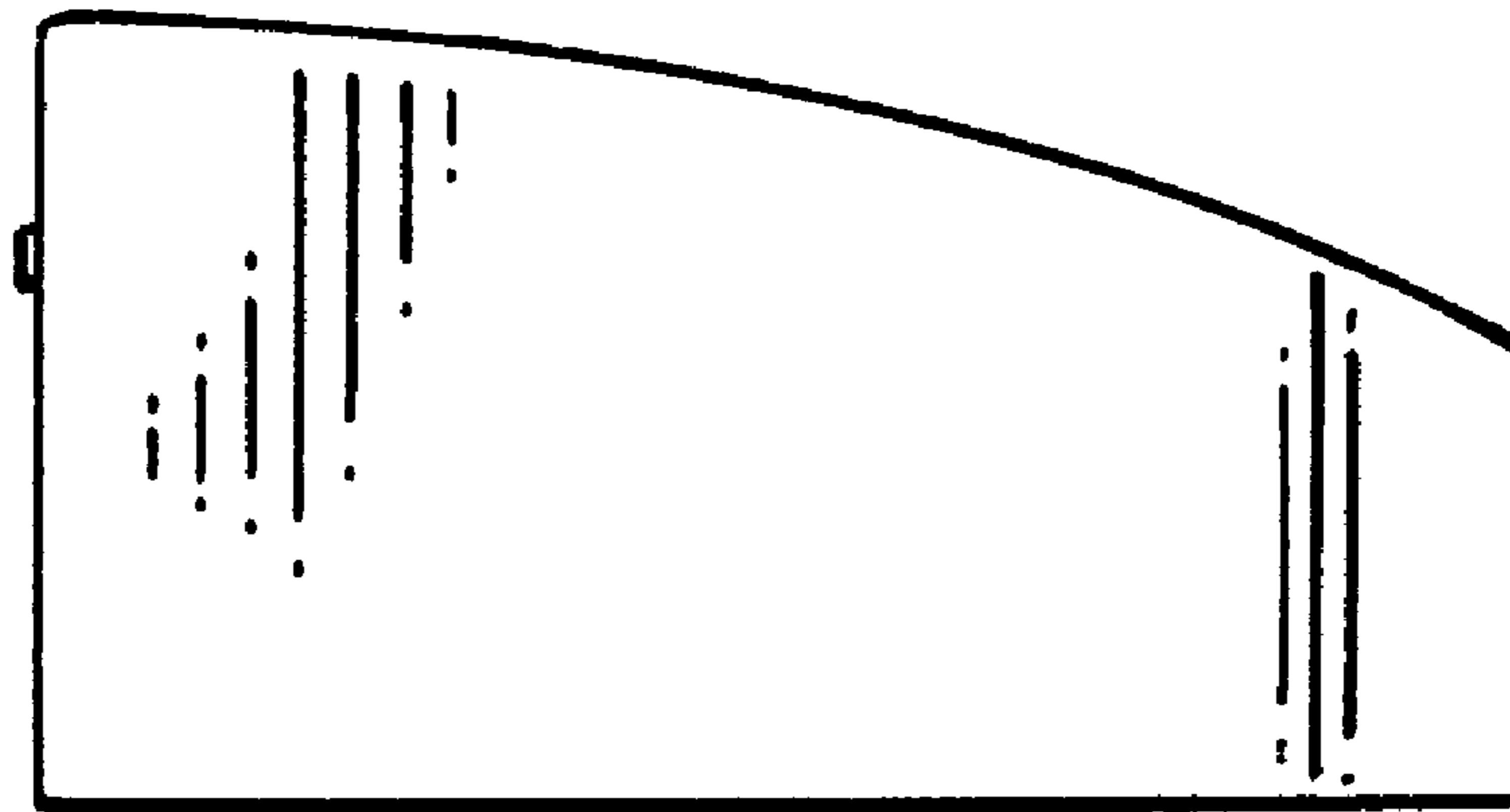


FIG. 6



FIG. 7