



US00D484345S

(12) **United States Design Patent**
Clucas

(10) **Patent No.:** **US D484,345 S**

(45) **Date of Patent:** **** Dec. 30, 2003**

(54) **WIRE WALL HOOK**

(75) Inventor: **Michael P. Clucas**, Boothwyn, PA (US)

(73) Assignee: **Zenith Products Corp.**, New Castle, DE (US)

(**) Term: **14 Years**

(21) Appl. No.: **29/164,880**

(22) Filed: **Jul. 31, 2002**

(51) **LOC (7) Cl.** **06-04**

(52) **U.S. Cl.** **D6/572; D6/566**

(58) **Field of Search** D6/566, 553, 323;
D8/370, 372; 248/302, 303, 309, 339; 211/87.01,
181.1, 106

(56) **References Cited**

U.S. PATENT DOCUMENTS

D355,842 S * 2/1995 Goodman et al. D8/372
D436,839 S * 1/2001 Goodman et al. D8/372

D461,706 S * 8/2002 Goodman et al. D8/372

D465,406 S * 11/2002 Goodman et al. D8/372

D465,998 S * 11/2002 Goodman et al. D8/372

* cited by examiner

Primary Examiner—Brian N. Vinson

(74) *Attorney, Agent, or Firm*—Edgar A. Zarins; Lloyd D. Doigan

(57) **CLAIM**

The ornamental design for a wire wall hook, as shown and described.

DESCRIPTION

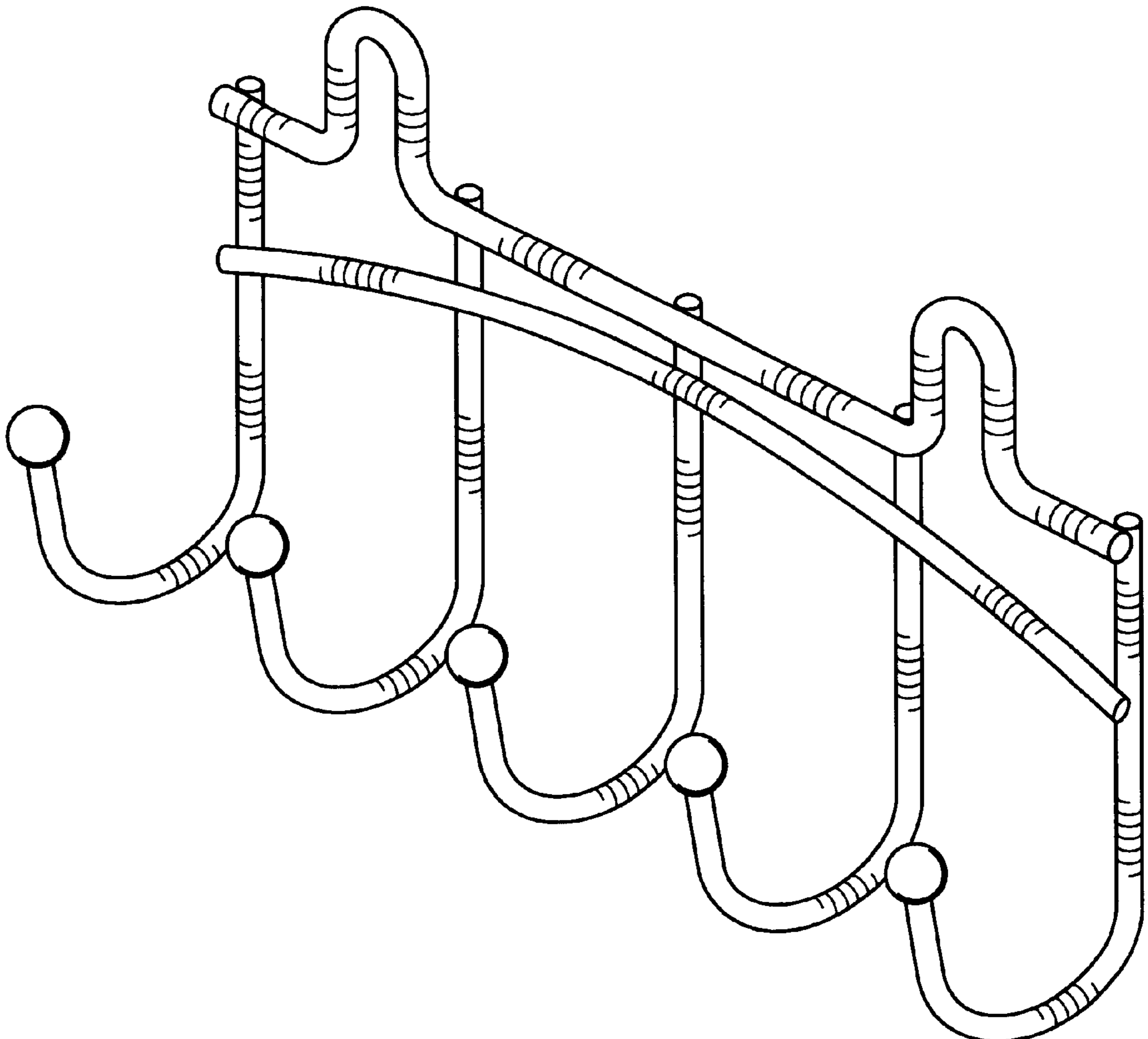
FIG. 1 is a perspective view of a wire wall hook showing my new design;

FIG. 2 is a front elevational view thereof;

FIG. 3 is a top plan view thereof; and,

FIG. 4 is a left side view thereof, the opposite side being a mirror image of the side shown.

1 Claim, 2 Drawing Sheets



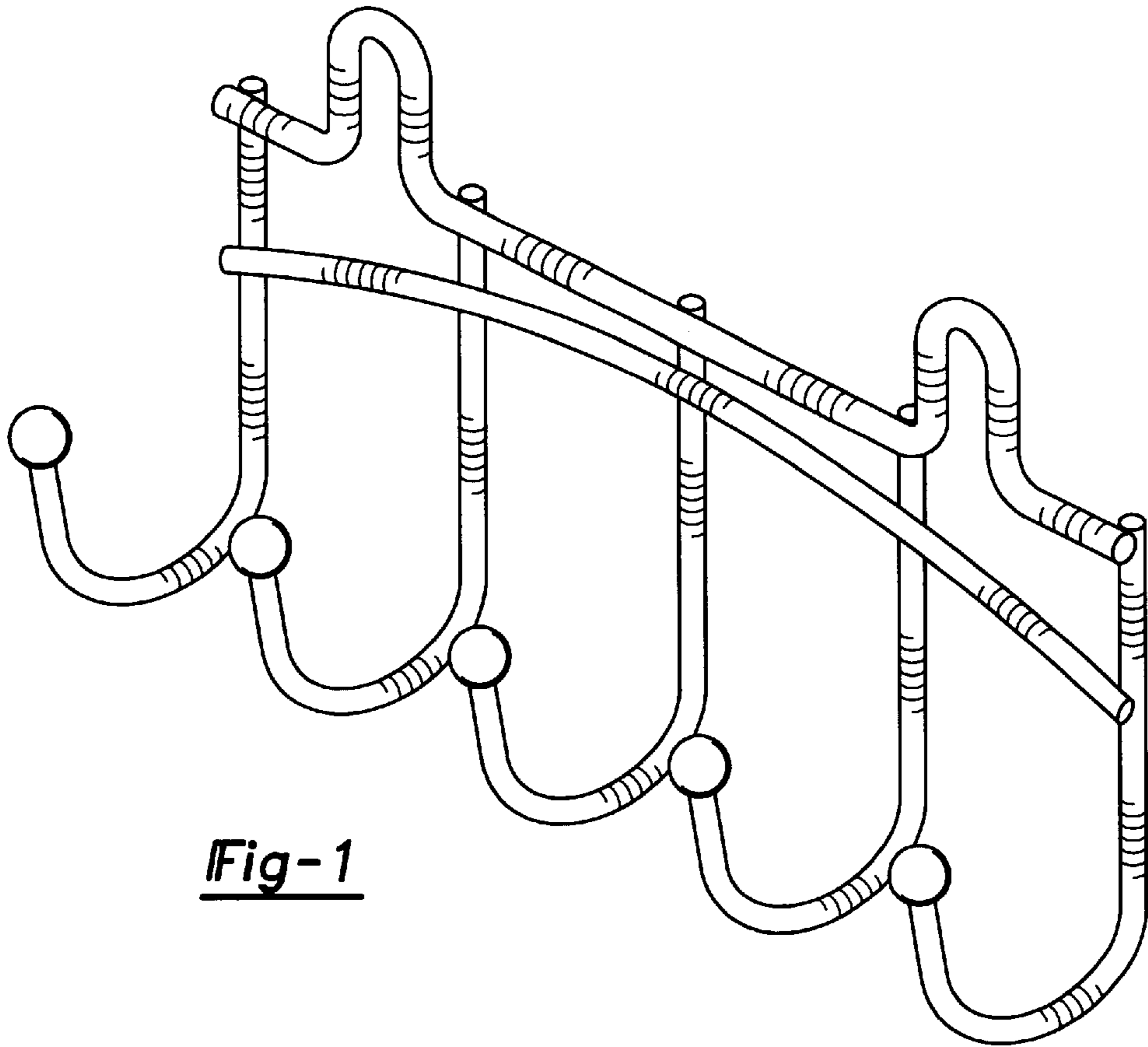


Fig-1

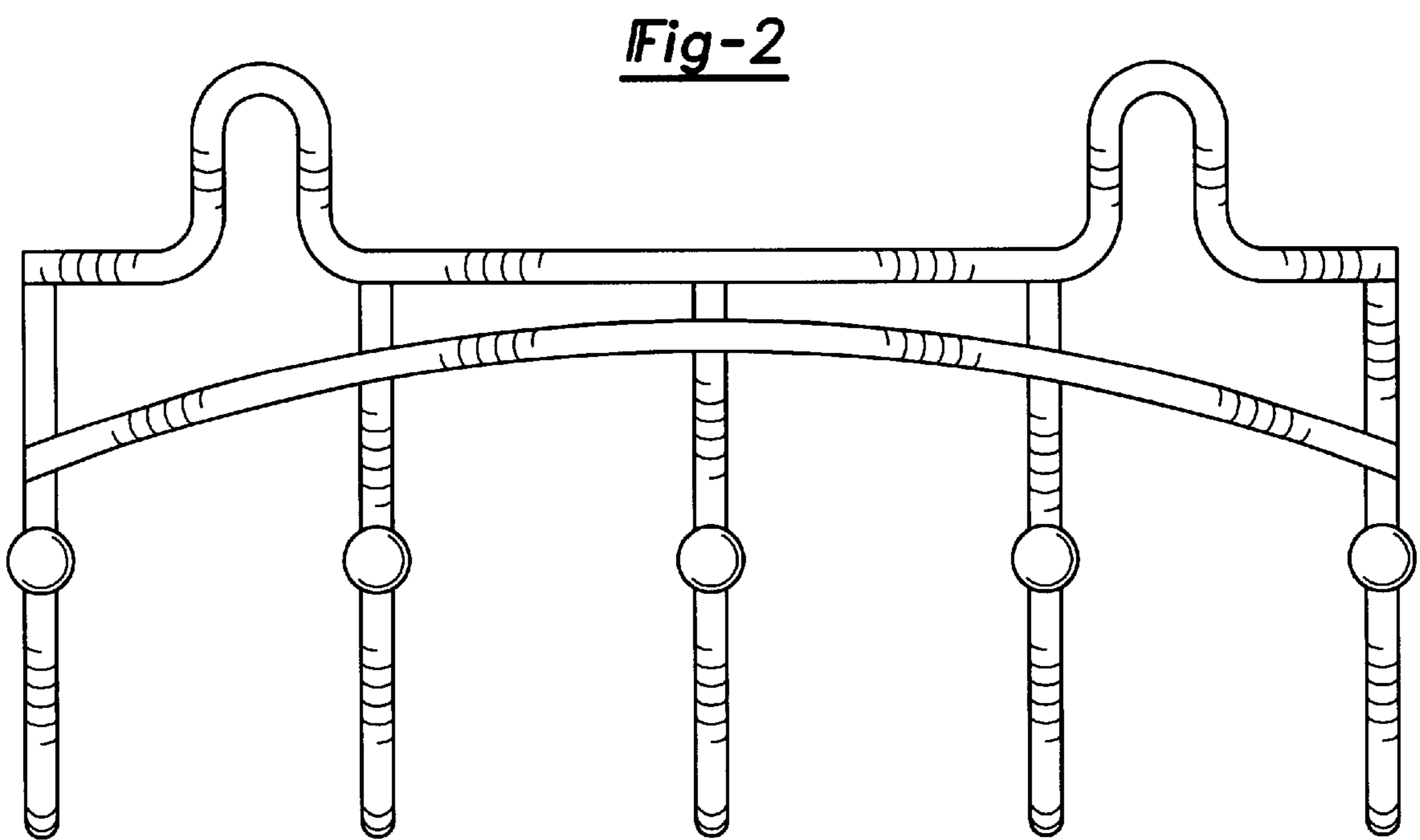


Fig-2

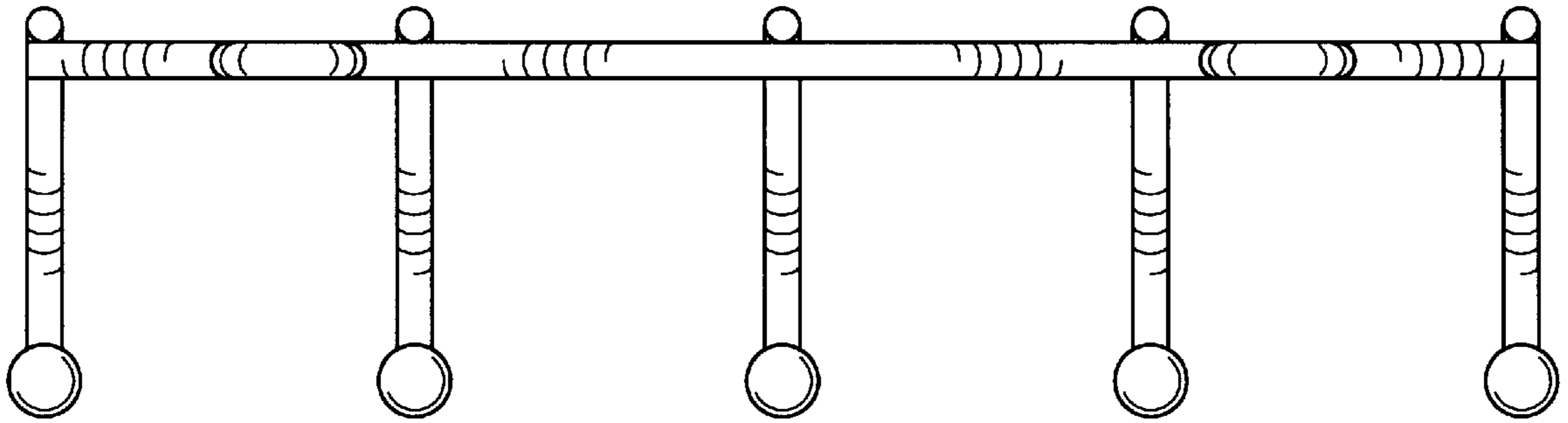


Fig-3

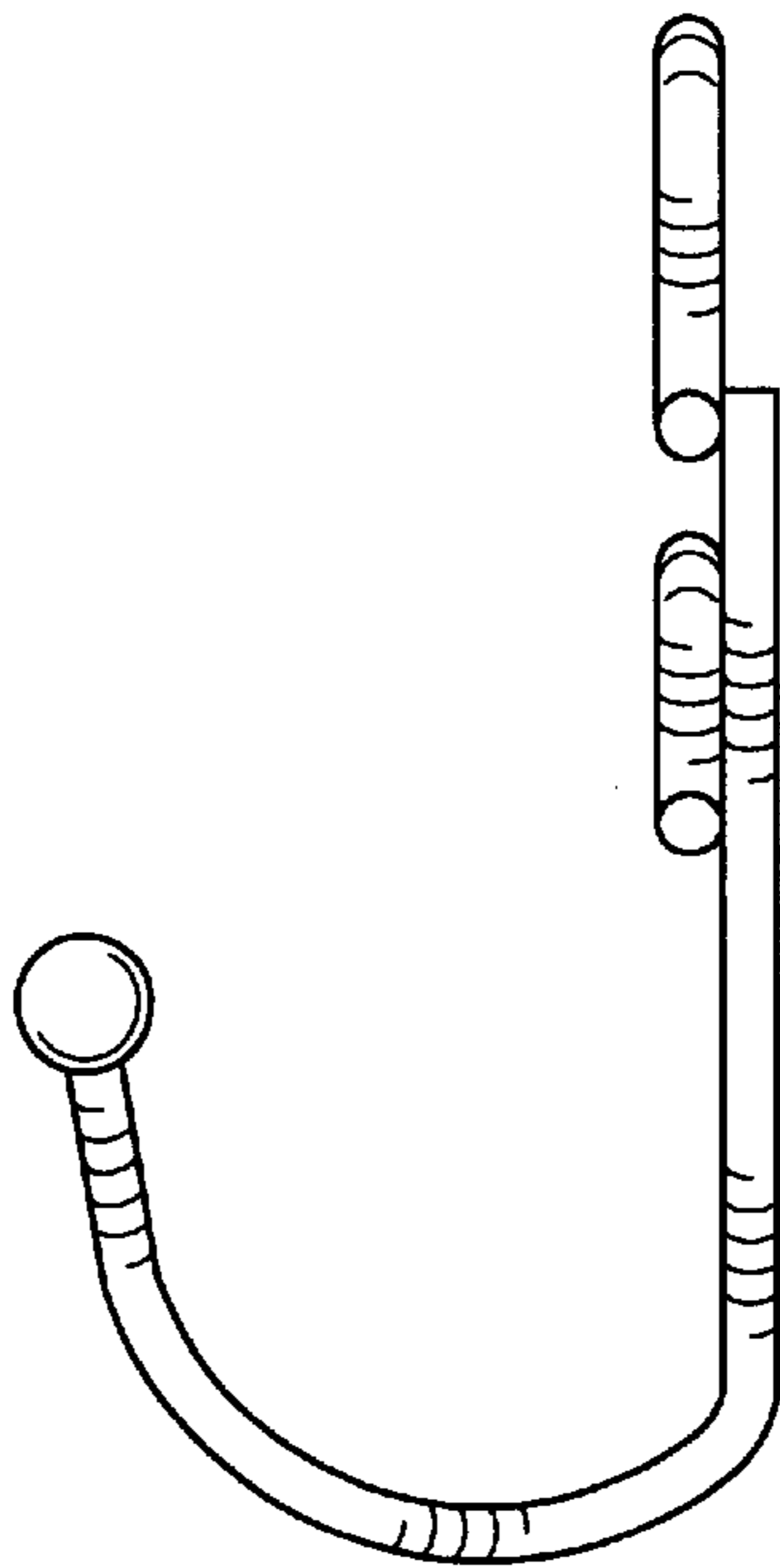


Fig-4