



US00D484341S

(12) **United States Design Patent**
Hill et al.

(10) **Patent No.:** **US D484,341 S**

(45) **Date of Patent:** **** Dec. 30, 2003**

(54) **PORTABLE TISSUE HOLDER**

(76) Inventors: **Lafayette Hill**, 740 County Rd. 298,
Florence, AL (US) 35634; **Virginia Hill**, 740 County Rd. 298, Florence, AL
(US) 35634

(**) Term: **14 Years**

(21) Appl. No.: **29/181,201**

(22) Filed: **May 8, 2003**

(51) **LOC (7) Cl.** **20-02**

(52) **U.S. Cl.** **D6/521**

(58) **Field of Search** D6/518-523; 206/389;
211/13.1, 85.5, 6, 45; 242/520, 579, 590,
595, 596, 598, 600; 248/176.1

(56) **References Cited**

U.S. PATENT DOCUMENTS

2,105,367 A	1/1938	Parsons
D248,999 S	8/1978	House
D261,452 S	10/1981	Chandler
D263,181 S	3/1982	Thompson
4,557,426 A	12/1985	Siciliano
D294,789 S	3/1988	Nunnally

D298,597 S	*	11/1988	Bell	D6/521
D313,716 S		1/1991	Jacques		
D327,798 S		7/1992	Addison et al.		
D340,822 S	*	11/1993	Morand	D6/522
D356,226 S	*	3/1995	Hay	D6/521
D432,828 S	*	10/2000	Snell	D6/522
D474,360 S	*	5/2003	Yip	D6/521

* cited by examiner

Primary Examiner—Brian N. Vinson

(74) *Attorney, Agent, or Firm*—Donald R. Schoonover

(57) **CLAIM**

We claim the ornamental design for a portable tissue holder, as shown and described.

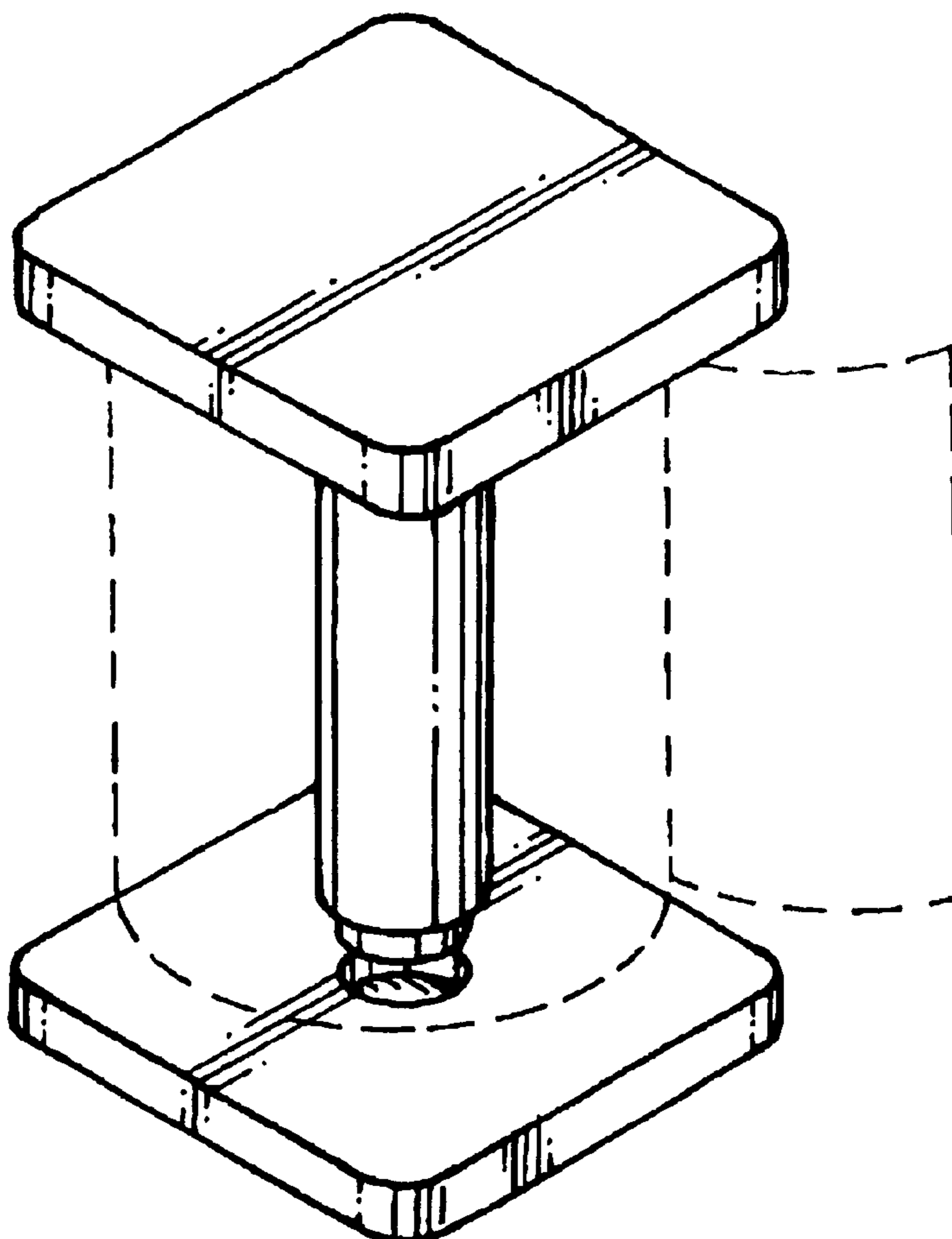
DESCRIPTION

FIG. 1 is an exploded perspective view of a portable tissue holder showing our new design; the broken lines depict environmental structure for illustrative purposes only and form no part of the claimed design;

FIG. 2 is a side elevational view thereof, the other three side elevational views being identical thereto; and,

FIG. 3 is a top plan view thereof, the bottom plan view being identical thereto.

1 Claim, 2 Drawing Sheets



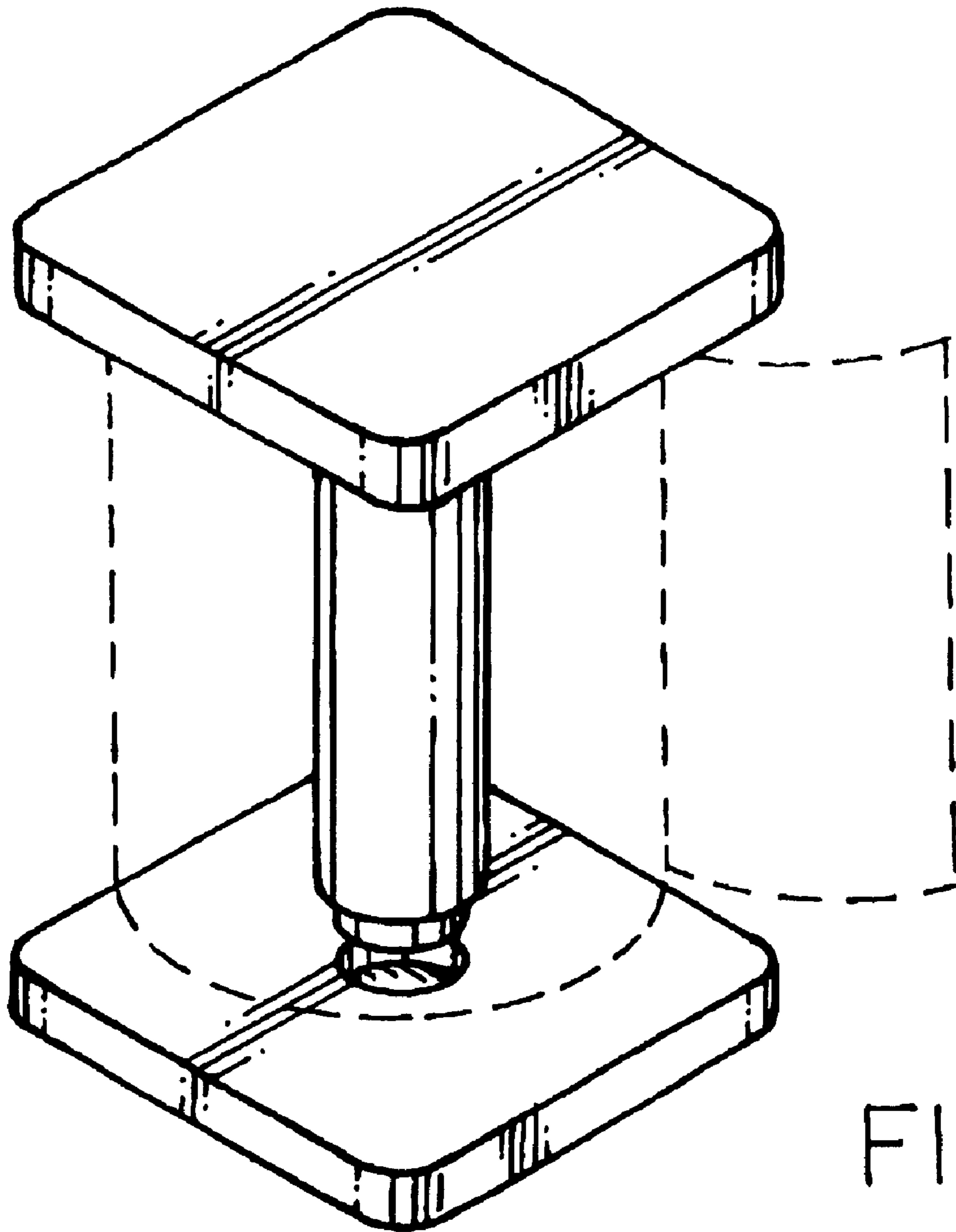


FIG. 1.

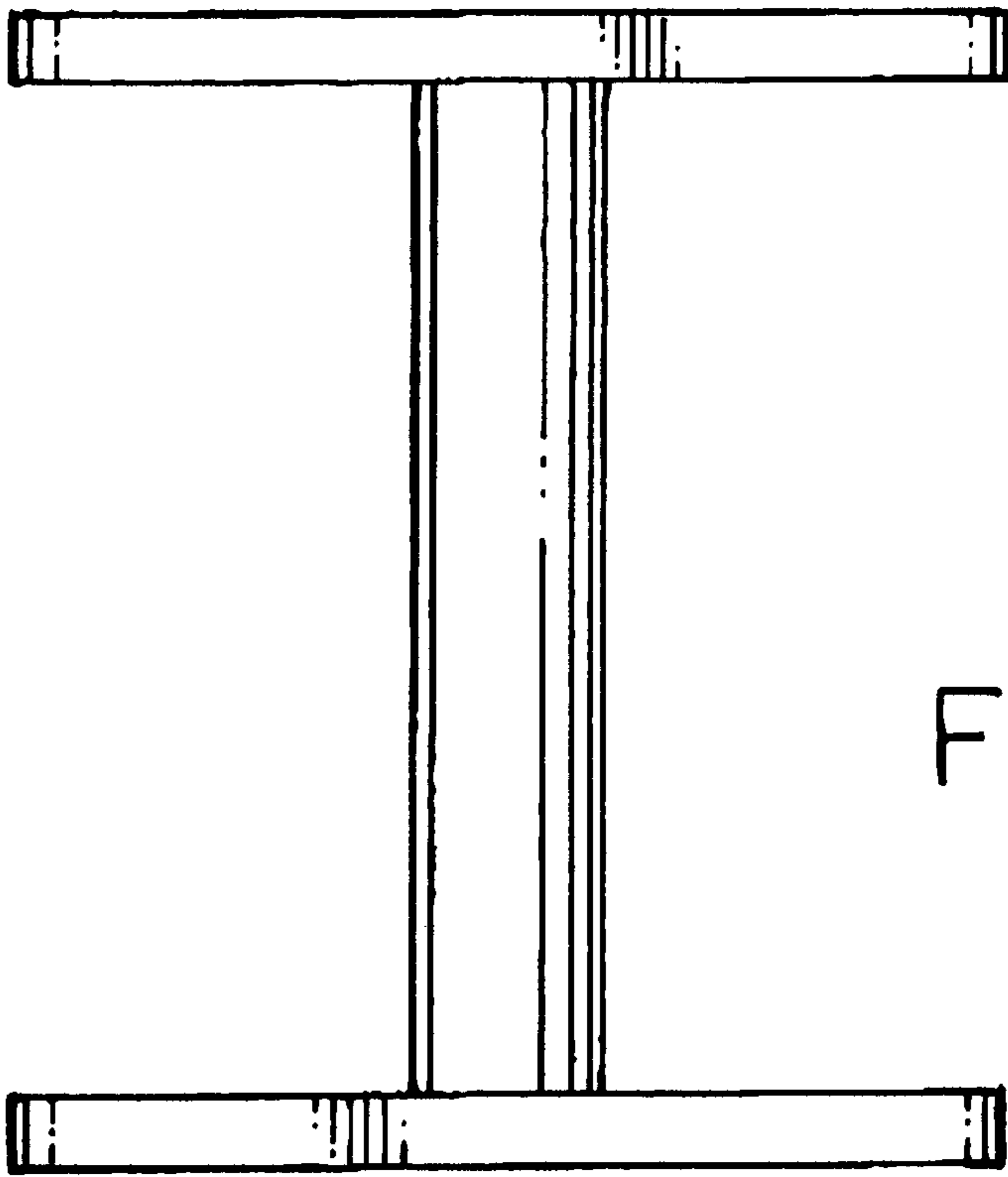


FIG. 2.

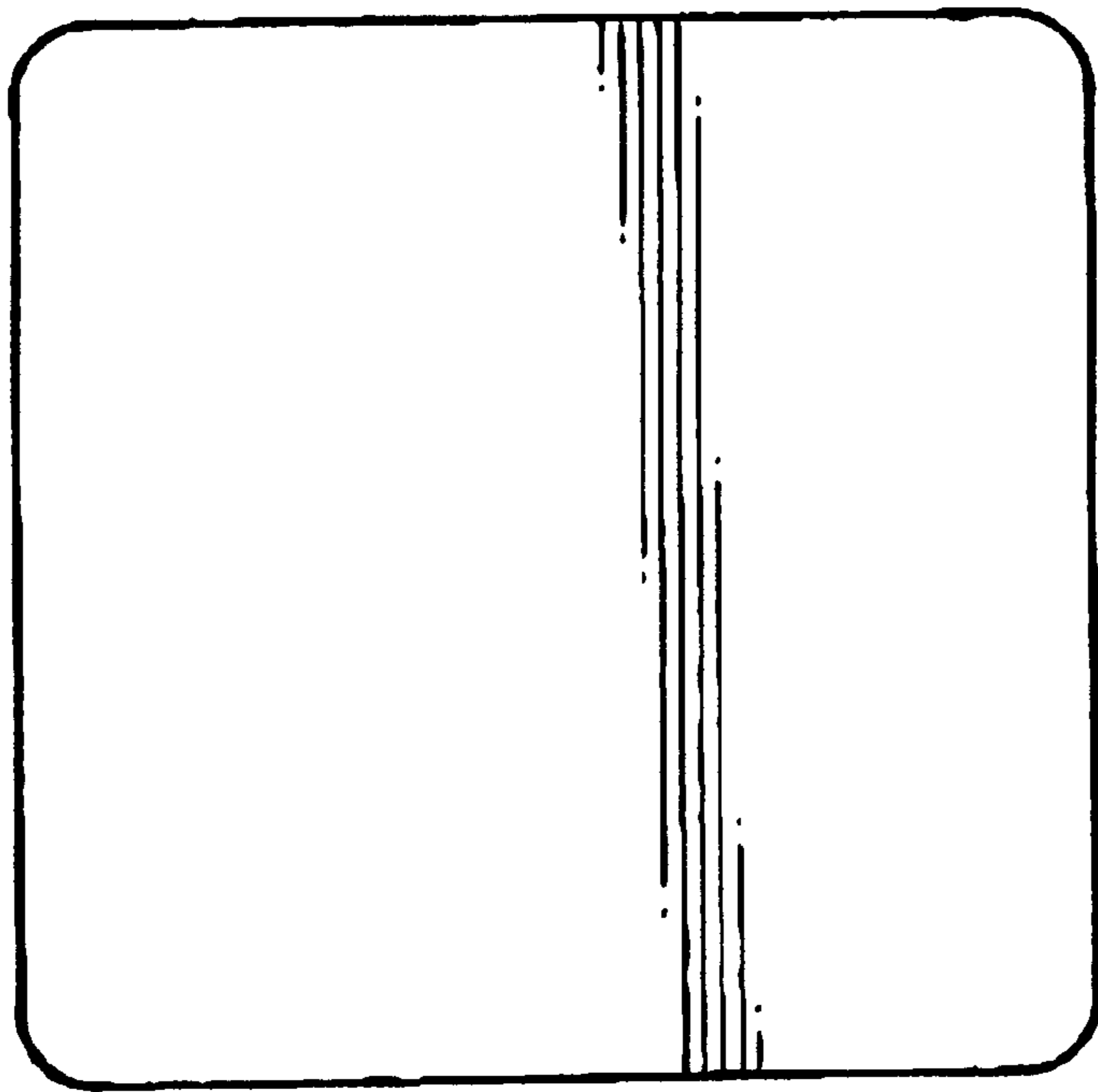


FIG. 3.