



US00D484340S

(12) **United States Design Patent**  
**Barlow-Lawson**

(10) **Patent No.:** **US D484,340 S**

(45) **Date of Patent:** **\*\* Dec. 30, 2003**

(54) **FURNITURE TOP**

(76) **Inventor:** **Stephen Barlow-Lawson**, 11  
Broadway, New York, NY (US) 10004

(\*\*) **Term:** **14 Years**

(21) **Appl. No.:** **29/178,492**

(22) **Filed:** **Mar. 27, 2003**

(51) **LOC (7) Cl.** ..... **06-06**

(52) **U.S. Cl.** ..... **D6/511**

(58) **Field of Search** ..... D6/480-489, 511,  
D6/422, 426, 427, 406.3; 108/150, 153.1,  
155, 157.1, 161, 50.01, 50.02

(56) **References Cited**

**U.S. PATENT DOCUMENTS**

D381,835 S	*	8/1997	Corpuz, Jr. et al.	.....	D6/426
D392,132 S	*	3/1998	Barlow-Lawson	.....	D6/511
D395,969 S	*	7/1998	Barlow-Lawson	.....	D6/511
D442,795 S	*	5/2001	Holt	.....	D6/406.3

\* cited by examiner

*Primary Examiner*—Janice E. Seeger  
*(74) Attorney, Agent, or Firm*—Henry M. Feiereisen;  
Ursula B. Day

(57) **CLAIM**

The ornamental design for a furniture top, as shown and described.

**DESCRIPTION**

FIG. 1 is a top plan view of a furniture top showing my new design;

FIG. 2 is a right hand side elevational view thereof, with the left-hand side being a mirror image thereof, the broken lines are for environmental purposes only and form no part of the claimed design;

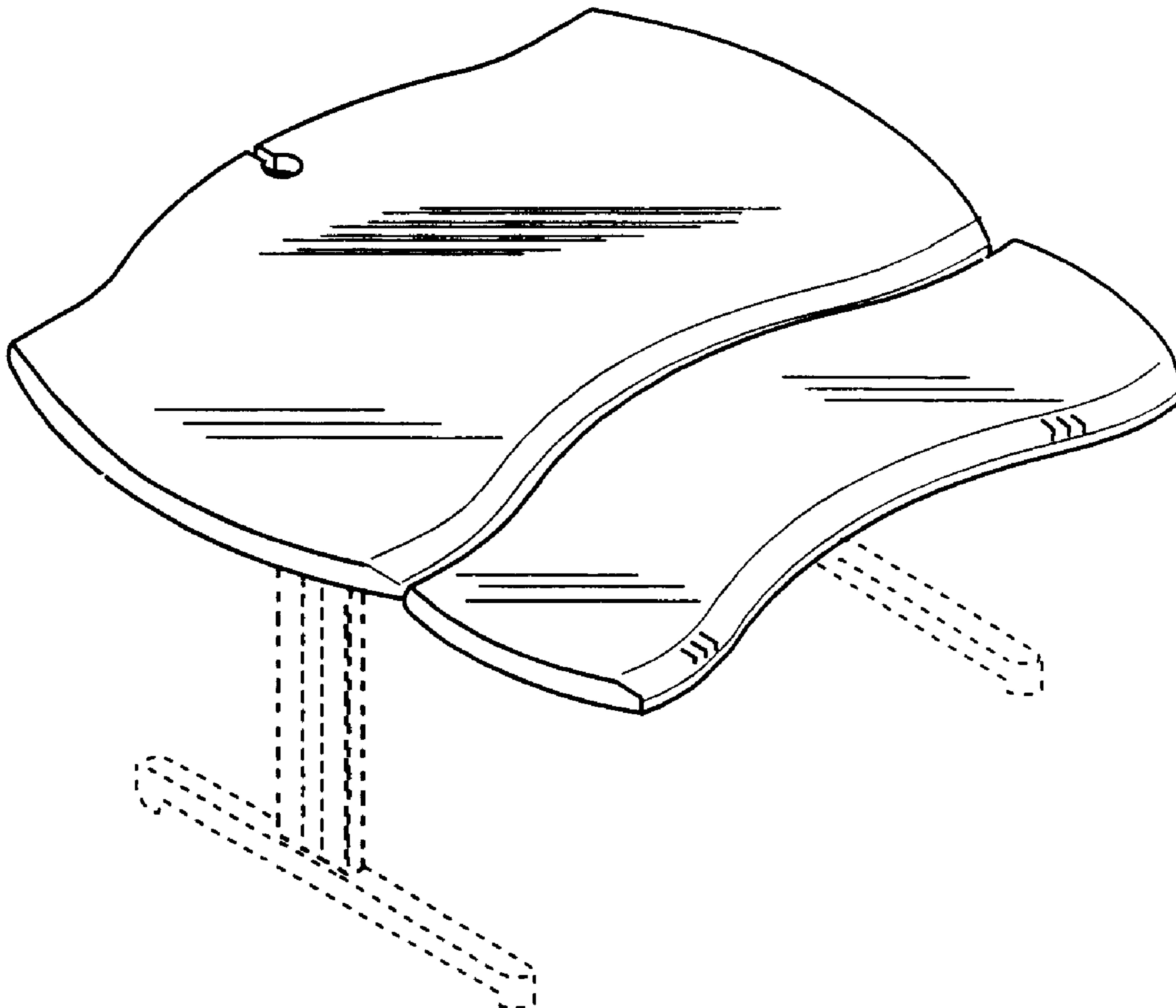
FIG. 3 is a rear elevational view thereof;

FIG. 4 is a bottom plan view thereof;

FIG. 5 is a front elevational view thereof; and,

FIG. 6 is a top, front and left side perspective view thereof.

**1 Claim, 1 Drawing Sheet**



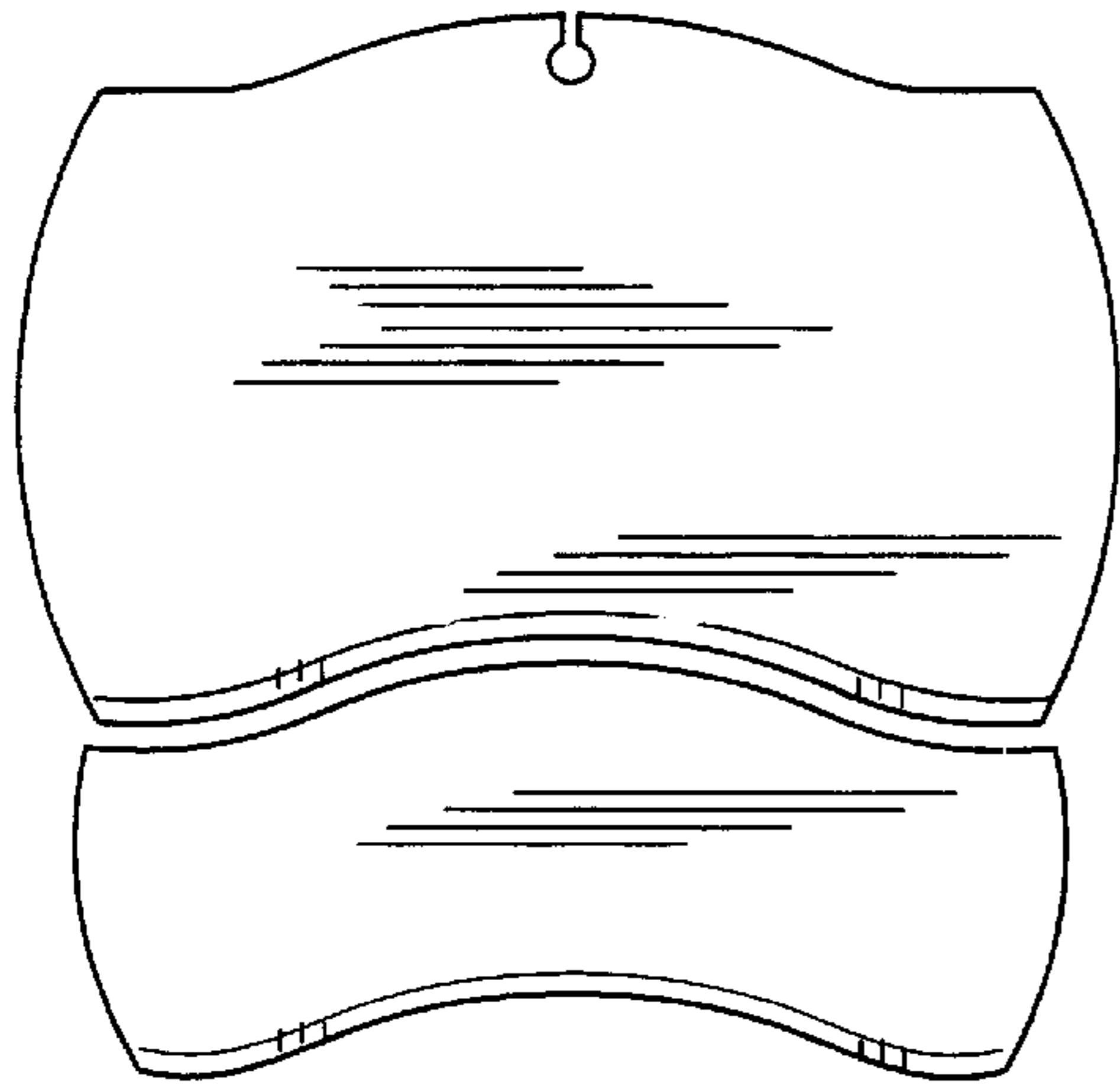


Fig. 1

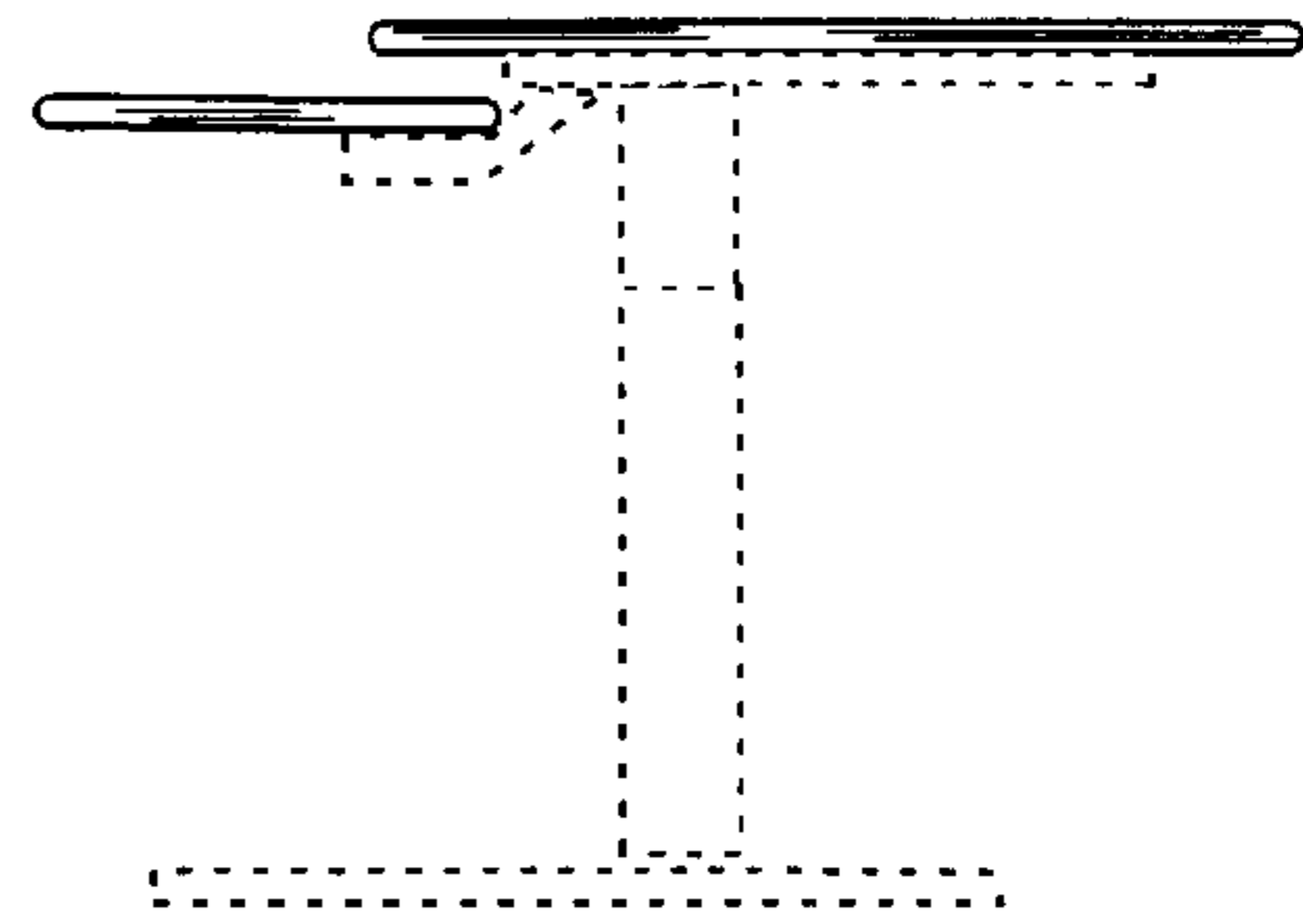


Fig. 2

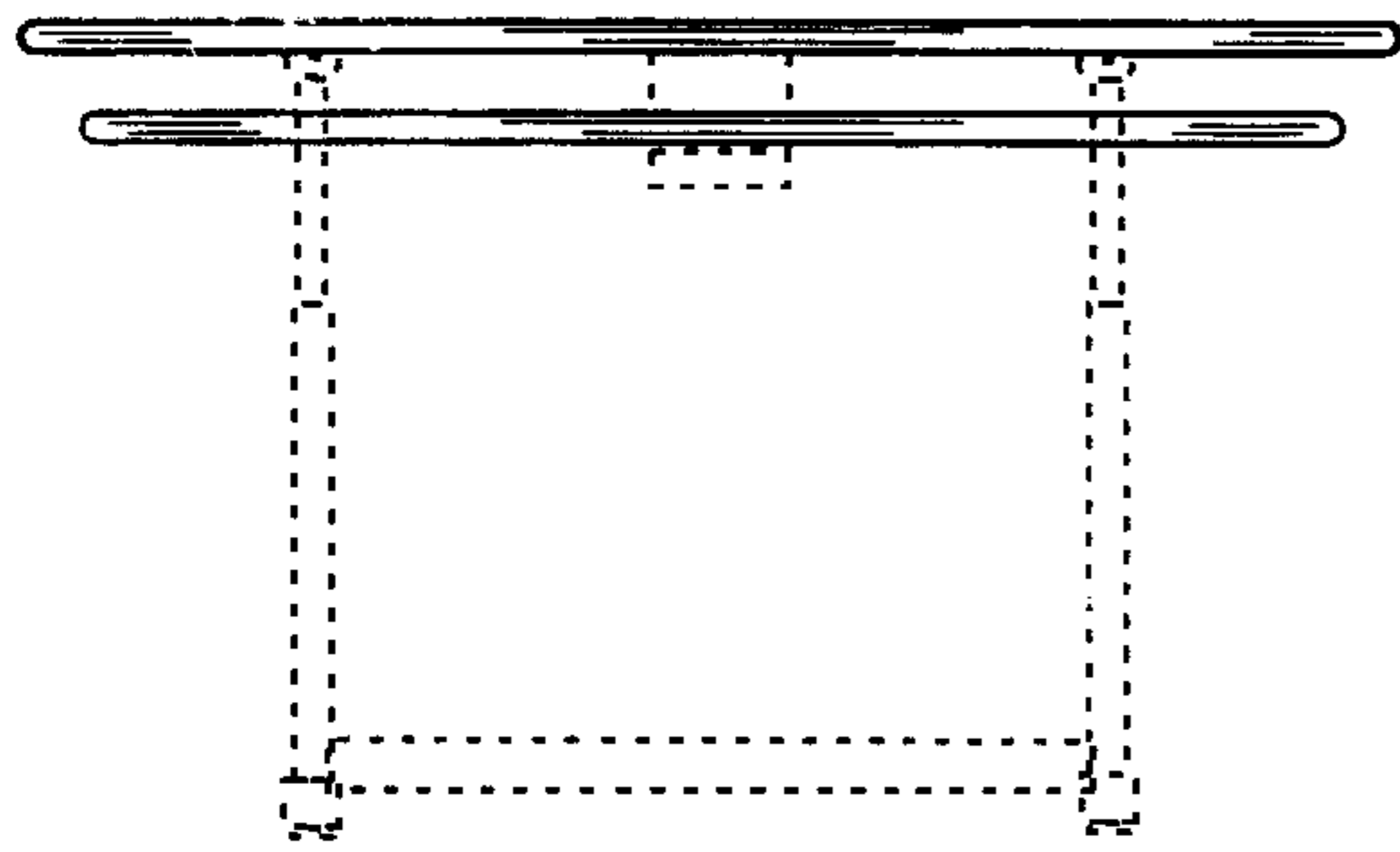


Fig. 3

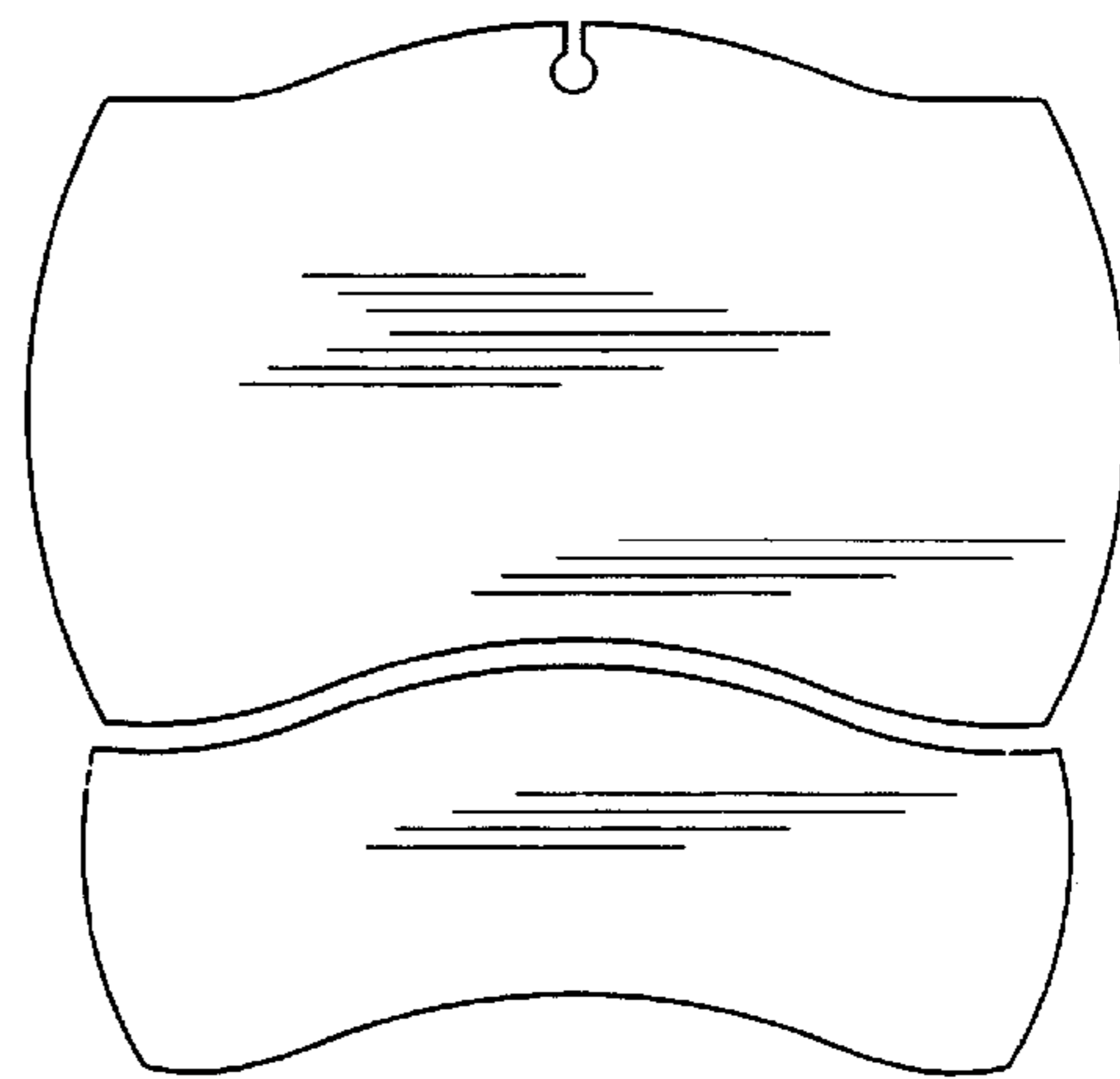


Fig. 4

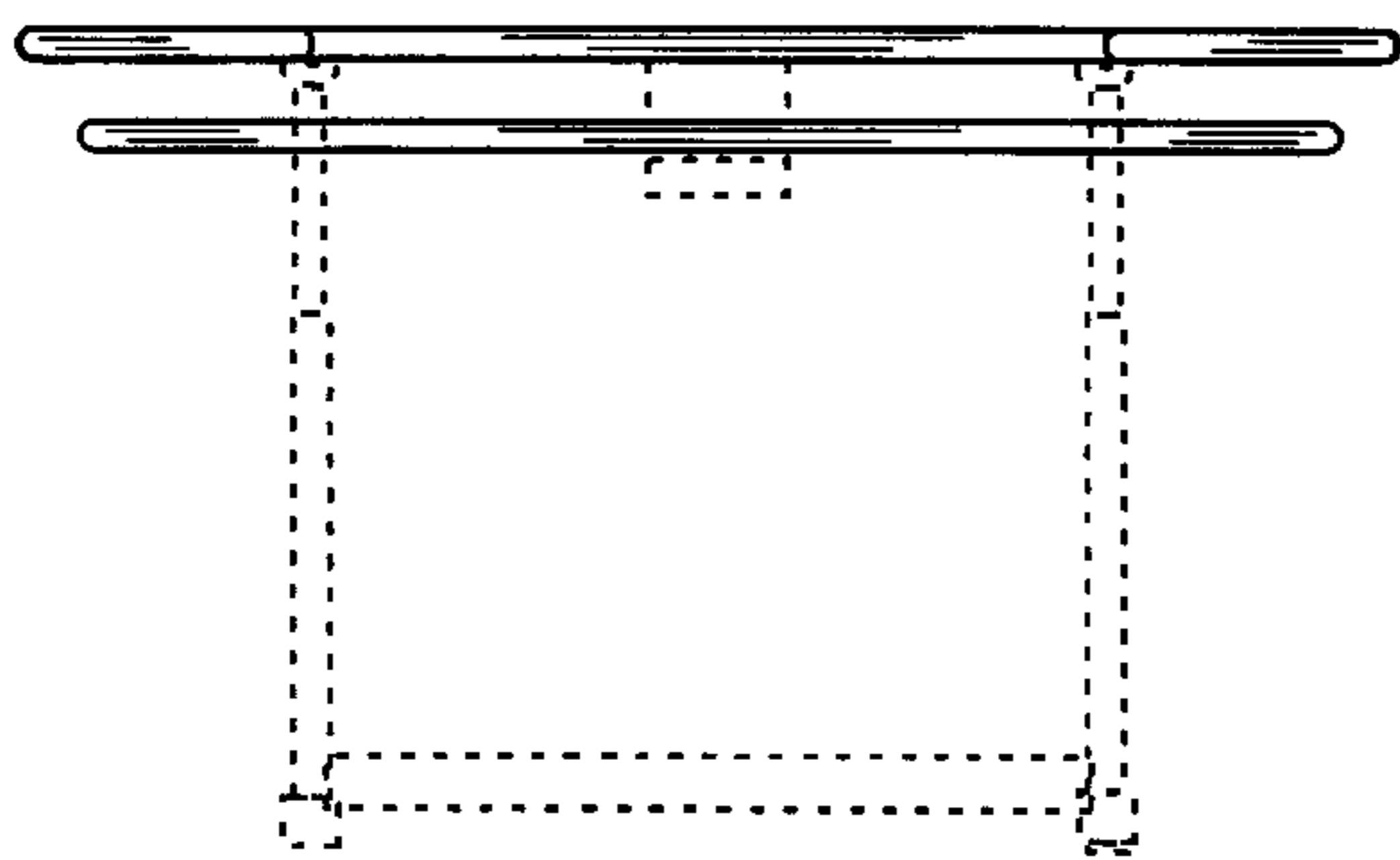


Fig. 5

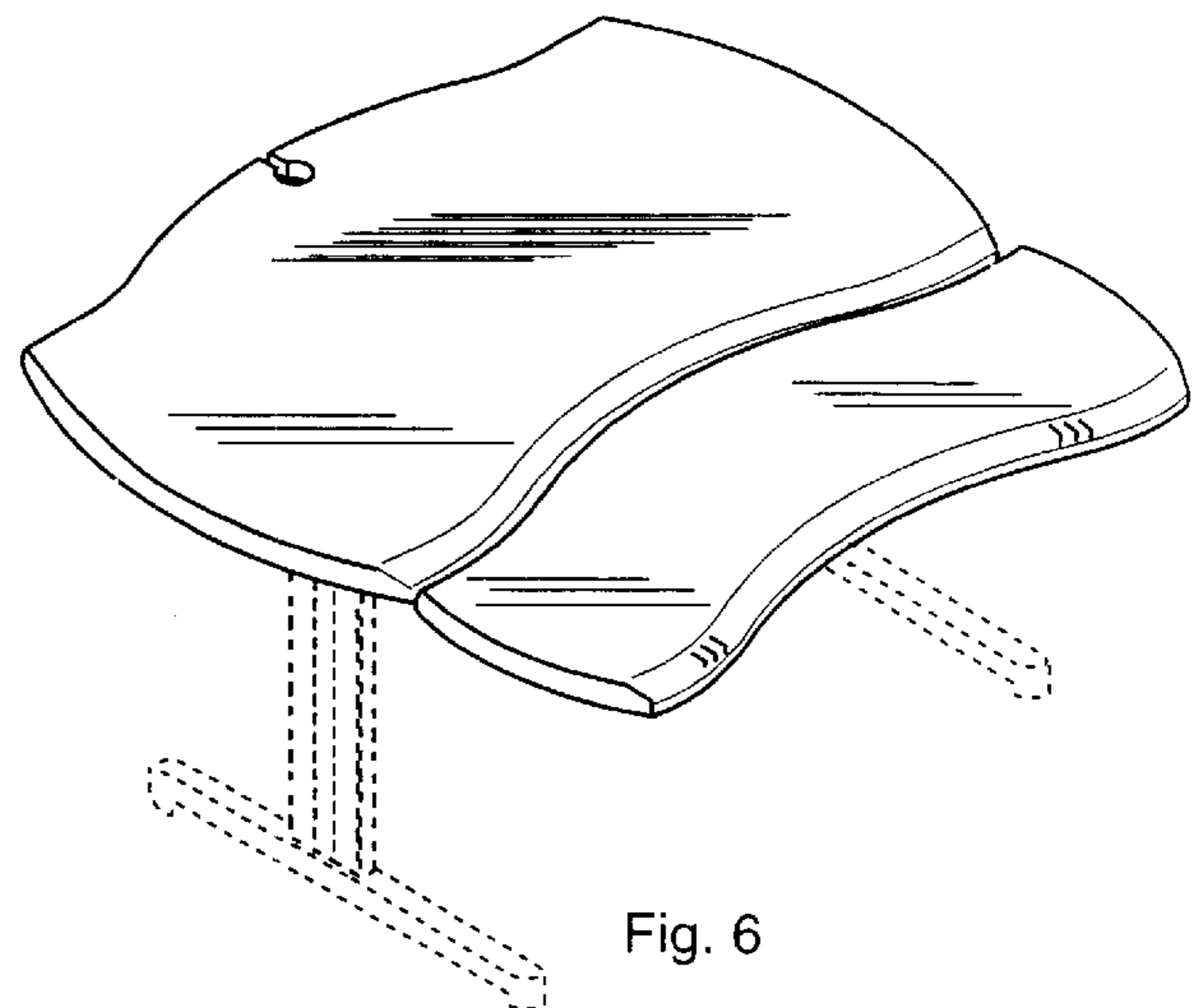


Fig. 6