



US00D484336S

(12) **United States Design Patent**
Hansen et al.

(10) **Patent No.:** **US D484,336 S**

(45) **Date of Patent:** **** Dec. 30, 2003**

(54) **ASSEMBLY JOINT FOR FURNITURE**

(75) Inventors: **Søren Ørgaard Hansen**, Fredens Torv
(DK); **Steen Ørgaard Hansen**, Fredens
Torv (DK)

(73) Assignee: **Supellex**, Vissenbjerg (DE)

(**) Term: **14 Years**

(21) Appl. No.: **29/169,905**

(22) Filed: **Oct. 29, 2002**

(30) **Foreign Application Priority Data**

Apr. 29, 2002 (DK) DA 2002 00355

(51) **LOC (7) Cl.** **06-06**

(52) **U.S. Cl.** **D6/491**

(58) **Field of Search** D6/396, 397, 418,
D6/421, 491, 495, 509, 511; D25/58, 122,
123; 211/182, 183

(56) **References Cited**

U.S. PATENT DOCUMENTS

D269,237 S * 6/1983 Burdick D6/495

4,607,754 A * 8/1986 Wolf 211/183
D336,341 S * 6/1993 Steenlandt D25/58
D373,832 S * 9/1996 Nomura D25/122
D377,723 S * 2/1997 Schacht D6/491
D383,925 S * 9/1997 Ahlberg D6/491
D444,332 S * 7/2001 Zemke, Jr. et al. D6/511

* cited by examiner

Primary Examiner—Cathron C. Brooks

(74) *Attorney, Agent, or Firm*—Dykema Gossett PLLC

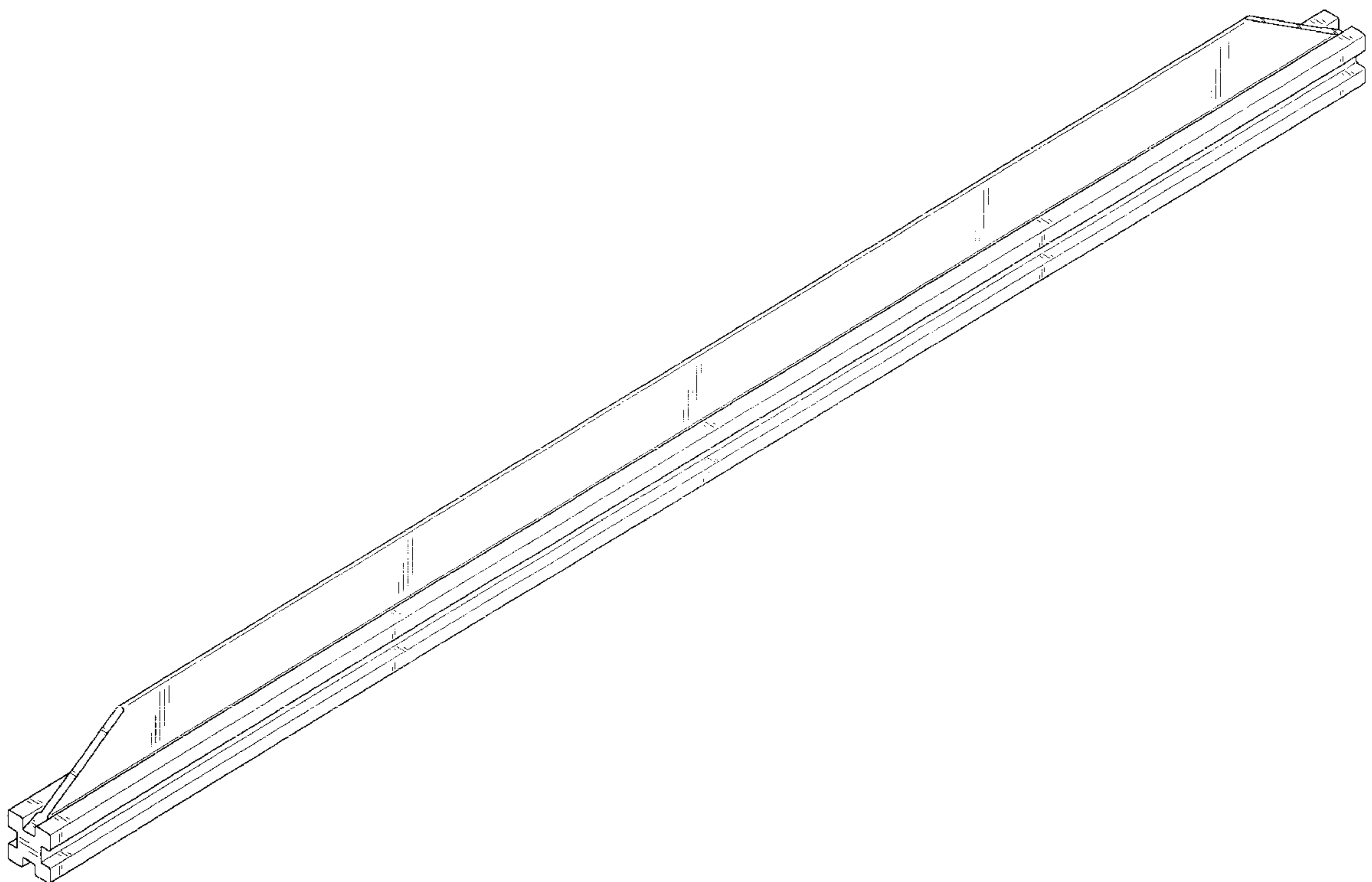
(57) **CLAIM**

The ornamental design for an assembly joint for furnished,
as shown and described.

DESCRIPTION

FIG. 1 is a perspective view of an assembly joint for
furniture showing our new and ornamental design,
FIG. 2 is a perspective view of the backbone element of the
assembly joint for furniture of FIG. 1, shown separately for
completeness of illustration; and,
FIG. 3 is a perspective view of the connecting flange of the
assembly joint for furniture of FIG. 1, shown separately for
completeness of illustration.

1 Claim, 3 Drawing Sheets



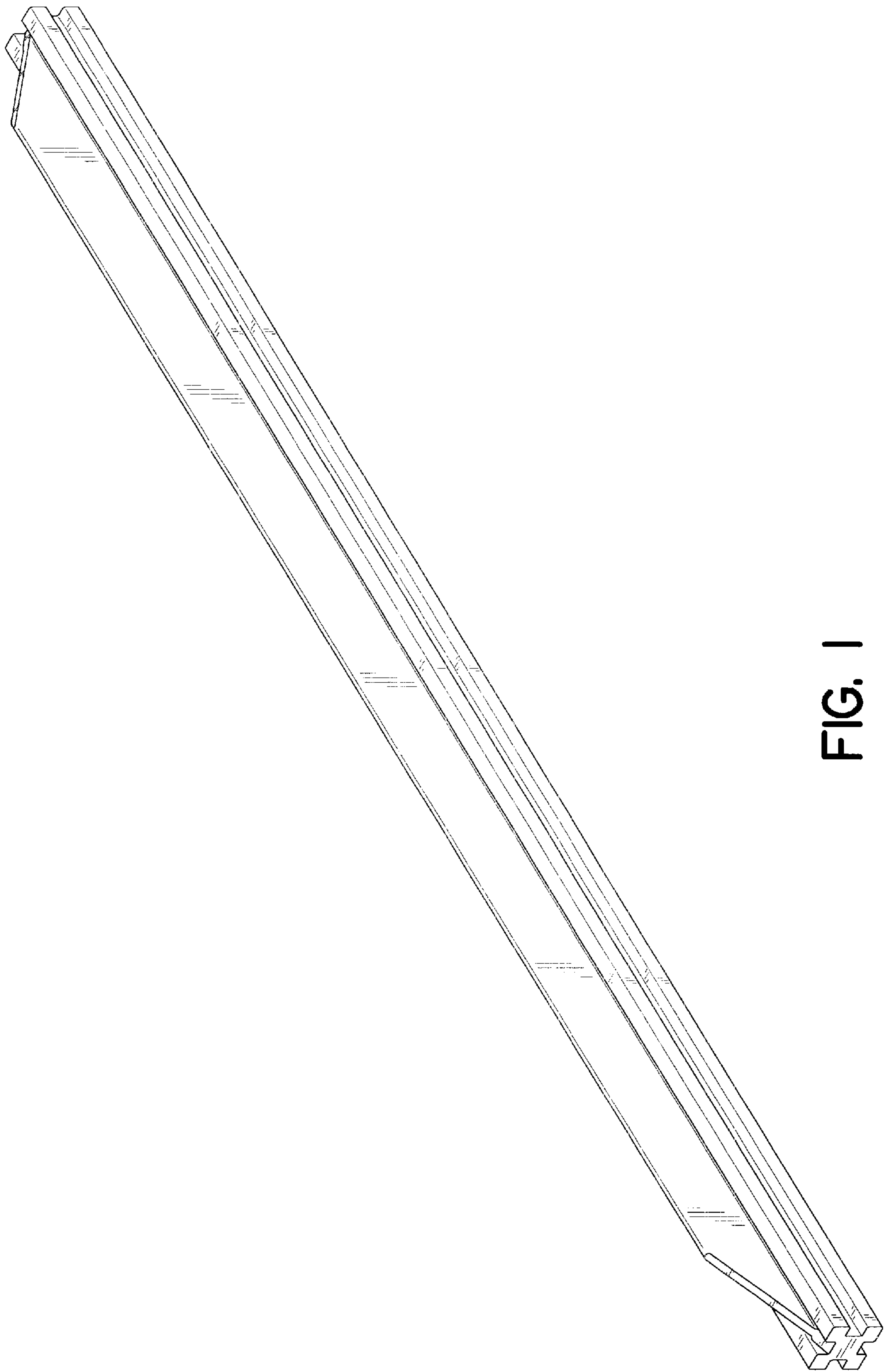


FIG. 1

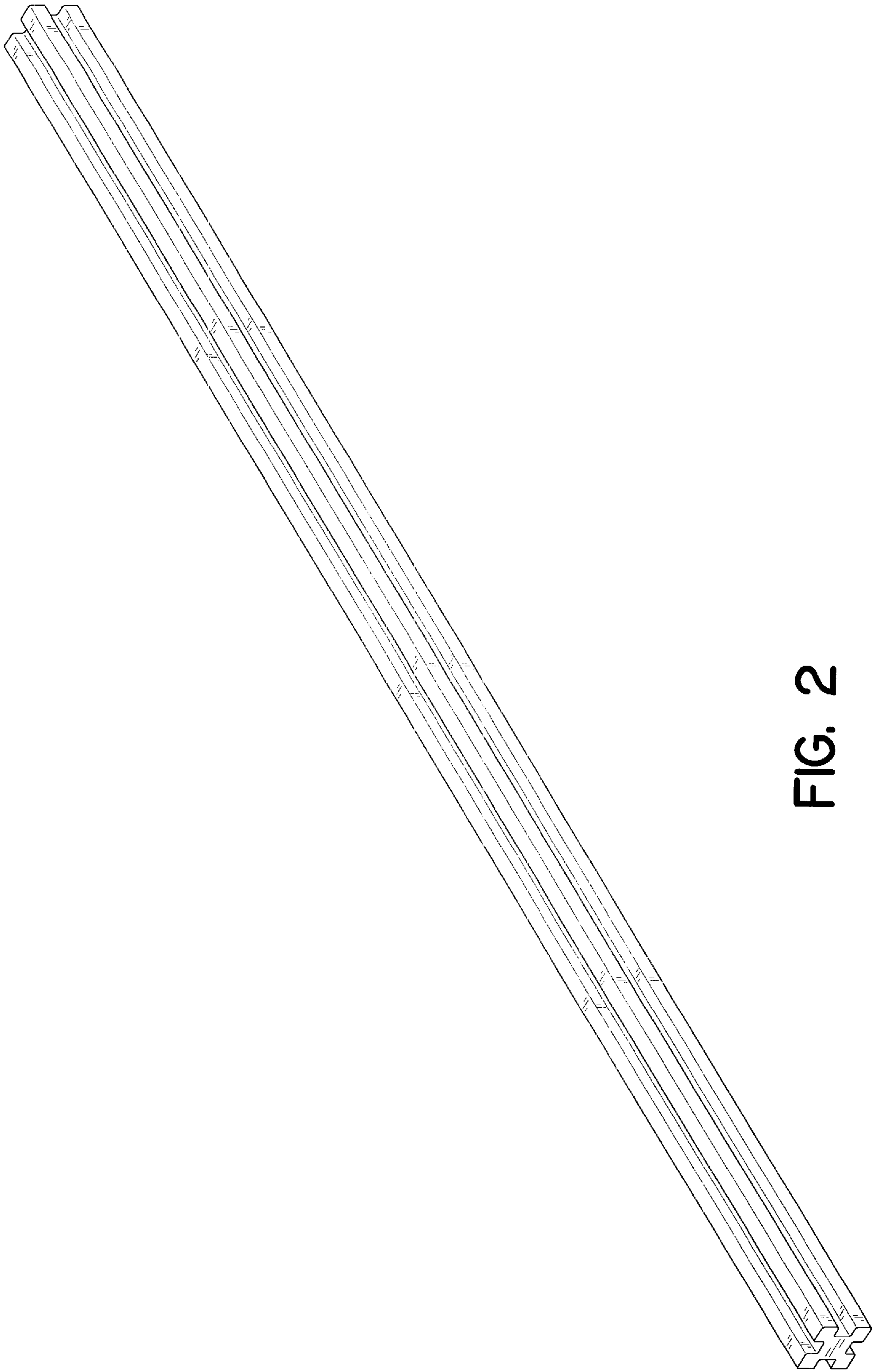


FIG. 2

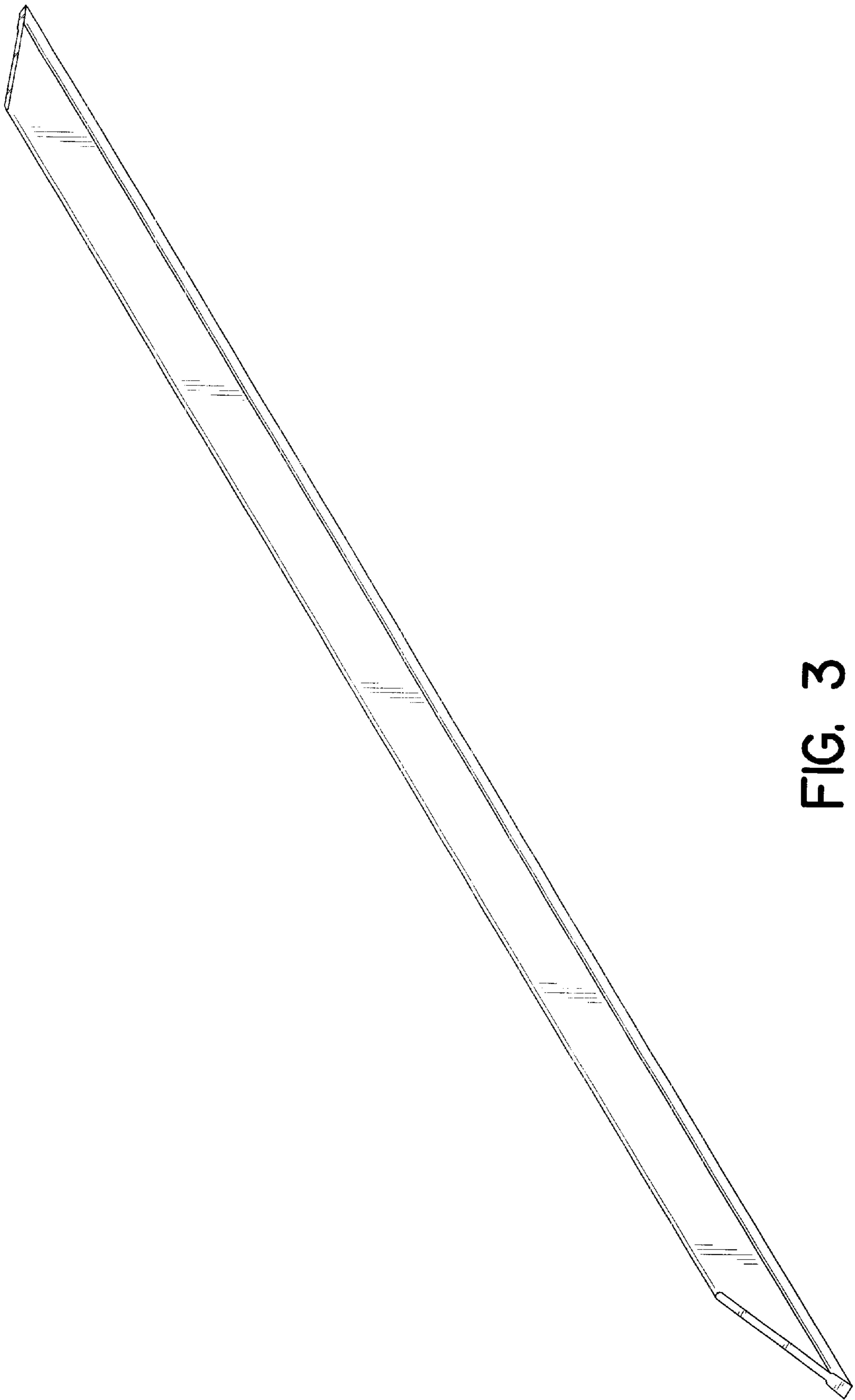


FIG. 3

UNITED STATES PATENT AND TRADEMARK OFFICE
CERTIFICATE OF CORRECTION

PATENT NO. : Des. 484,336 S
DATED : December 30, 2003
INVENTOR(S) : Søren Ørgaard Hansen and Steen Ørgaard Hansen

Page 1 of 1

It is certified that error appears in the above-identified patent and that said Letters Patent is hereby corrected as shown below:

Title page,

Item [73], Assignee, should read -- [73] Assignee: **Supellex**, Vissenbjerg (DK) --

Signed and Sealed this

Fourth Day of May, 2004

A handwritten signature in black ink that reads "Jon W. Dudas". The signature is written in a cursive style with a large, looped initial "J".

JON W. DUDAS
Acting Director of the United States Patent and Trademark Office