



US00D484335S

(12) **United States Design Patent**
Murphy

(10) **Patent No.:** **US D484,335 S**

(45) **Date of Patent:** **** Dec. 30, 2003**

(54) **TABLE**

(76) Inventor: **Timothy Troy Murphy**, 570
Washington Ave., Holland, MI (US)
49423

(**) Term: **14 Years**

(21) Appl. No.: **29/176,819**

(22) Filed: **Feb. 26, 2003**

(51) **LOC (7) Cl.** **06-03**

(52) **U.S. Cl.** **D6/487**

(58) **Field of Search** D6/480-489, 495-499,
D6/511; 108/153.1, 155, 156, 157.1, 161;
248/188, 188.1, 188.8, 188.7

(56) **References Cited**

U.S. PATENT DOCUMENTS

D85,814 S * 12/1931 Critchfield et al. D6/484
D174,189 S * 3/1955 Oehling D6/484
3,004,571 A * 10/1961 Gerbrandt D6/511
5,435,510 A * 7/1995 Wey 248/188.1

OTHER PUBLICATIONS

Interiors, Jun. 1956, p. 133, table in center of page.*

* cited by examiner

Primary Examiner—Janice E. Seeger
(74) *Attorney, Agent, or Firm*—McGarry Bair PC

(57) **CLAIM**

The ornamental design for a table, as shown and described.

DESCRIPTION

FIG. 1 is a perspective view of the ornamental design for a table according to the invention.

FIG. 2 is a top plan view of the table of FIG. 1.

FIG. 3 is a bottom plan view of the table of FIG. 1.

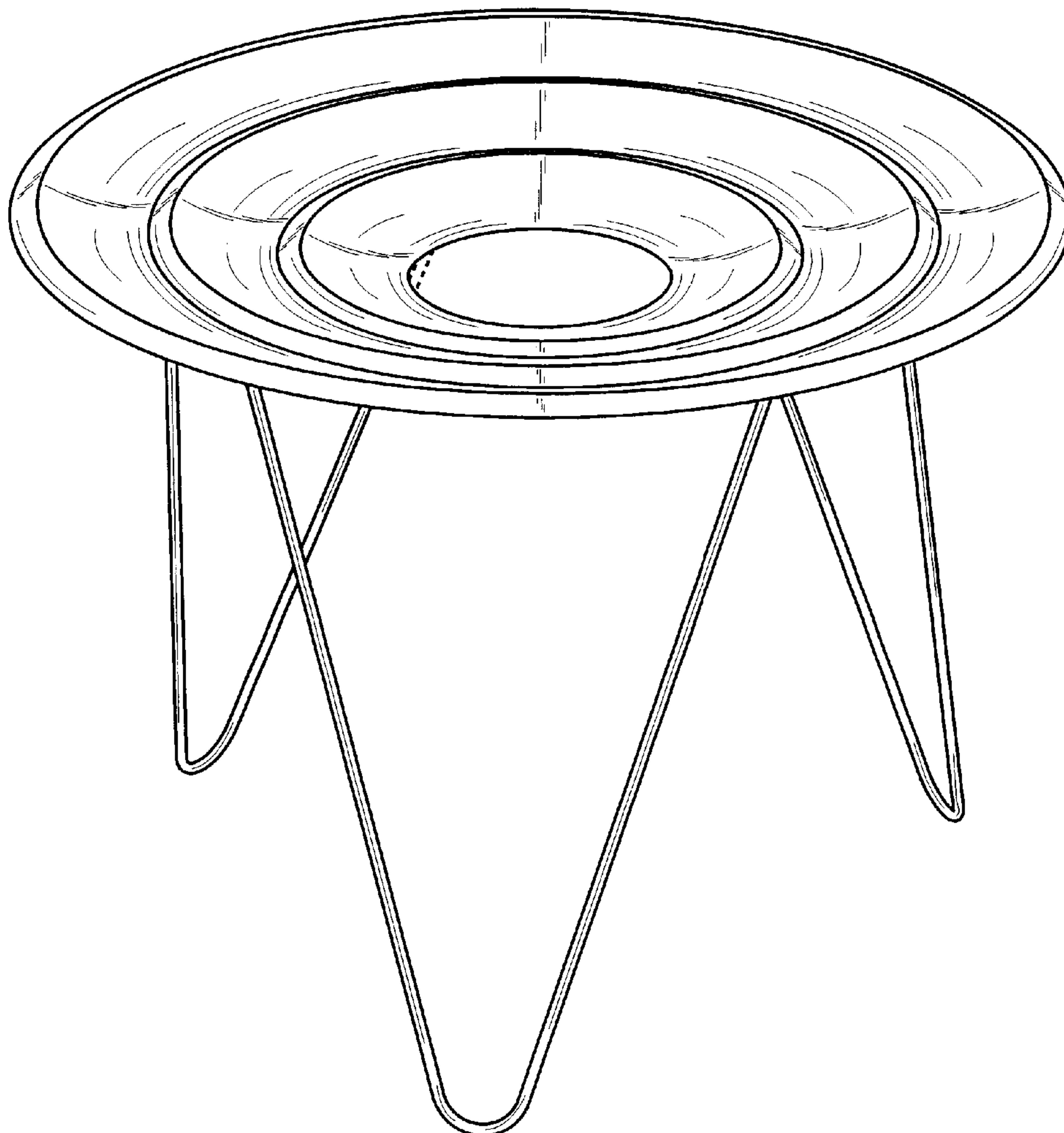
FIG. 4 is a left elevational view of the table of FIG. 1.

FIG. 5 is a right elevational view of the table of FIG. 1.

FIG. 6 is a front elevational view of the table of FIG. 1; and,

FIG. 7 is a rear elevational view of the table of FIG. 1.

1 Claim, 7 Drawing Sheets



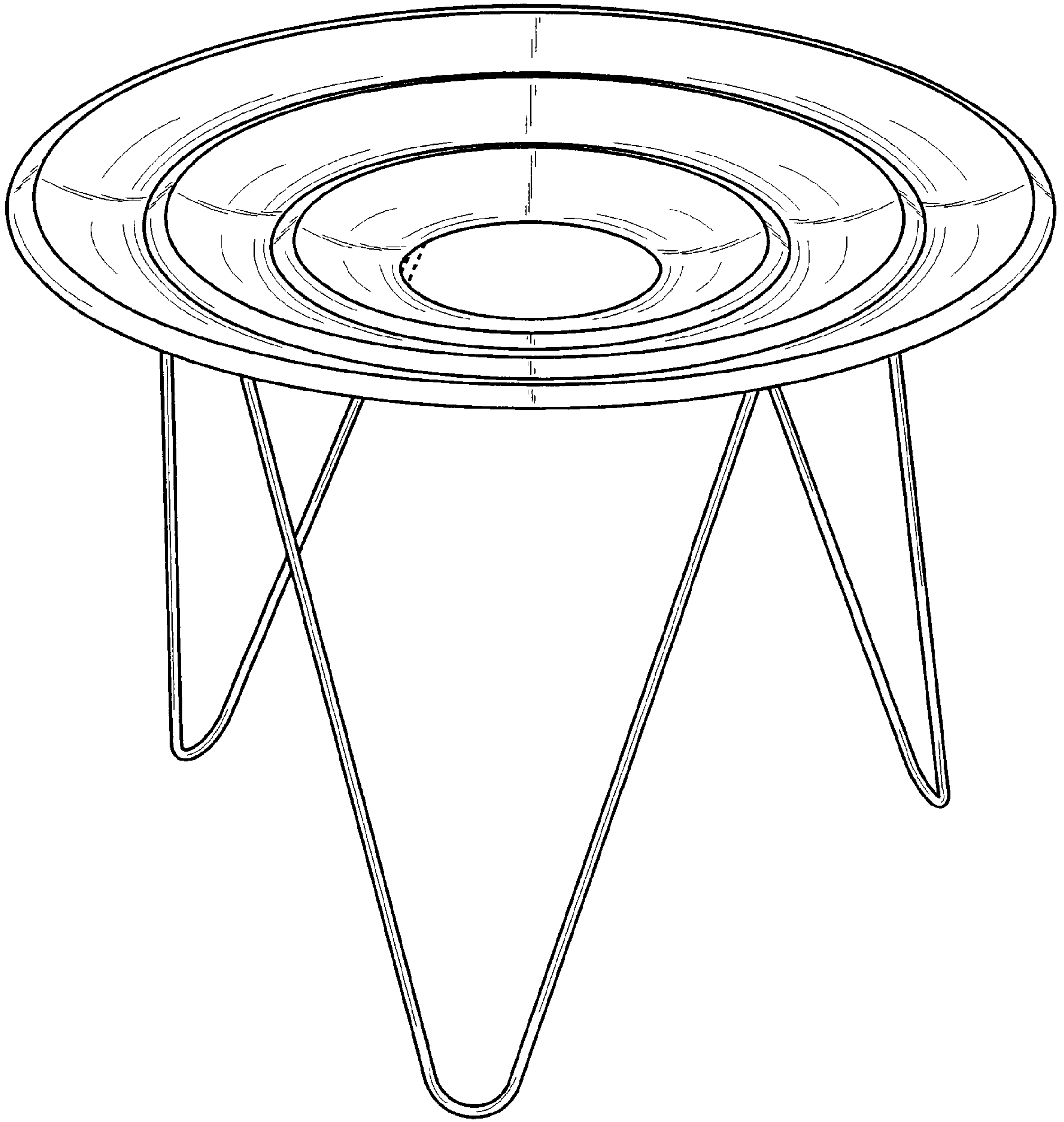


Fig. 1

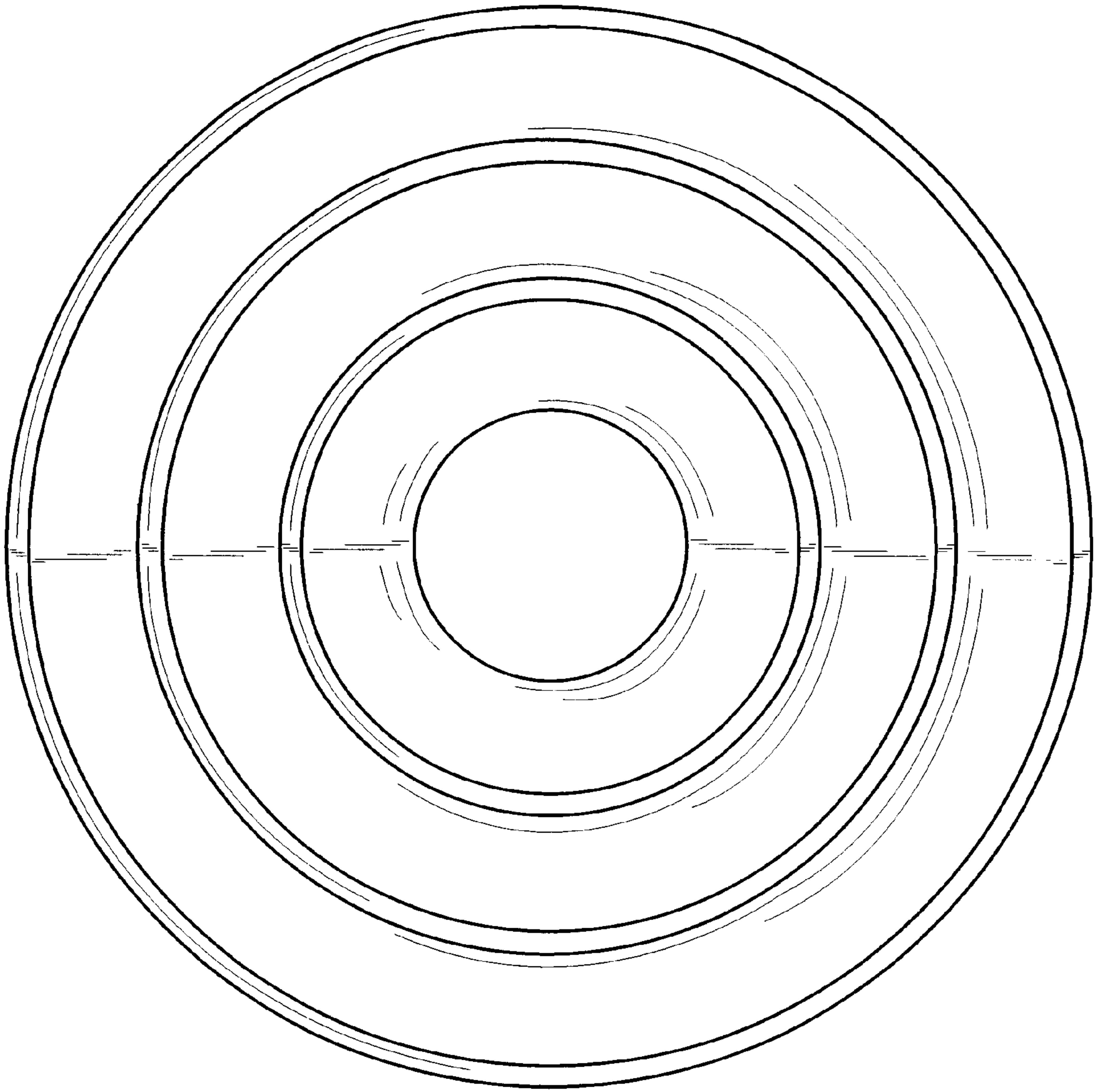


Fig. 2

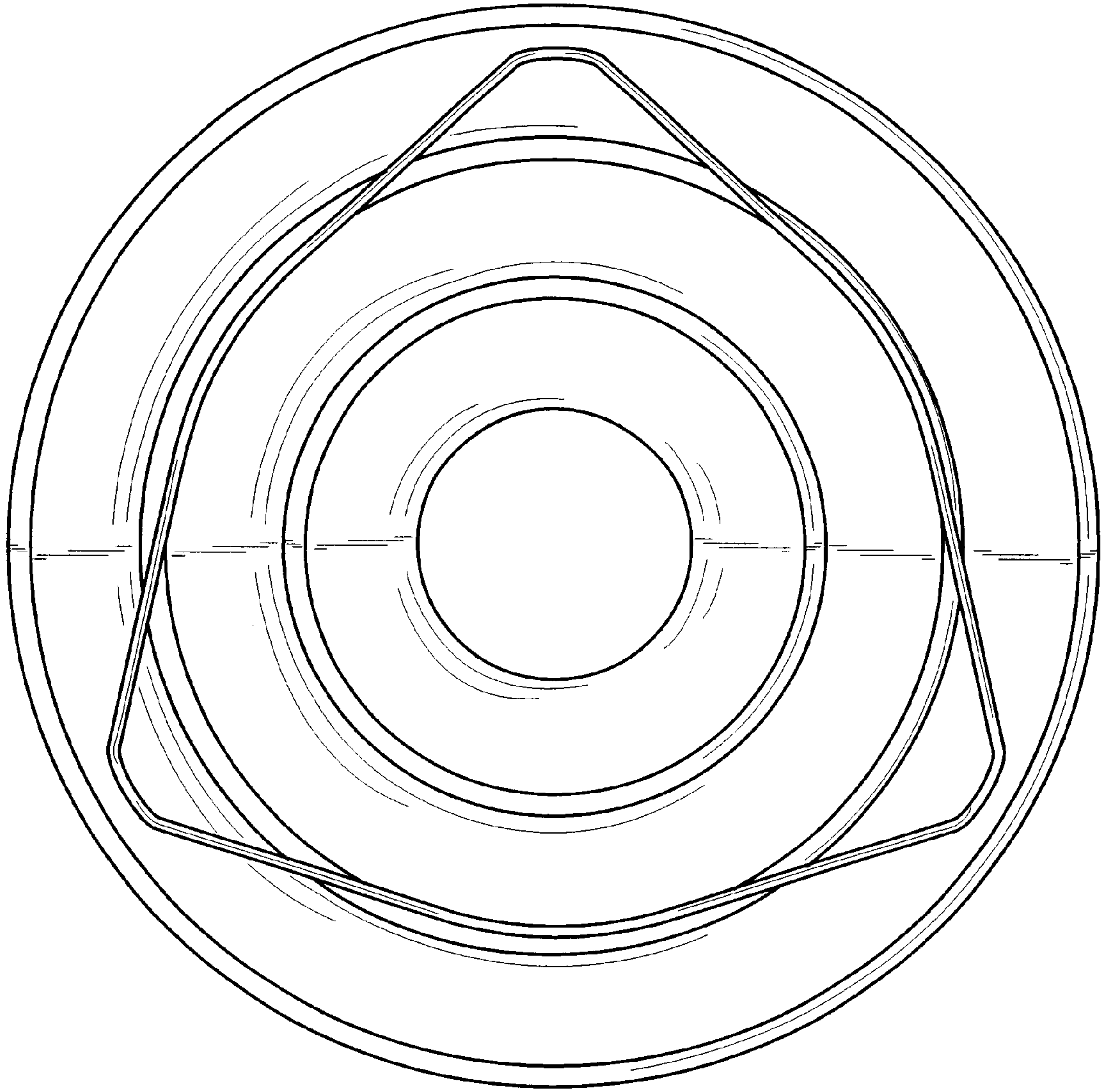


Fig. 3

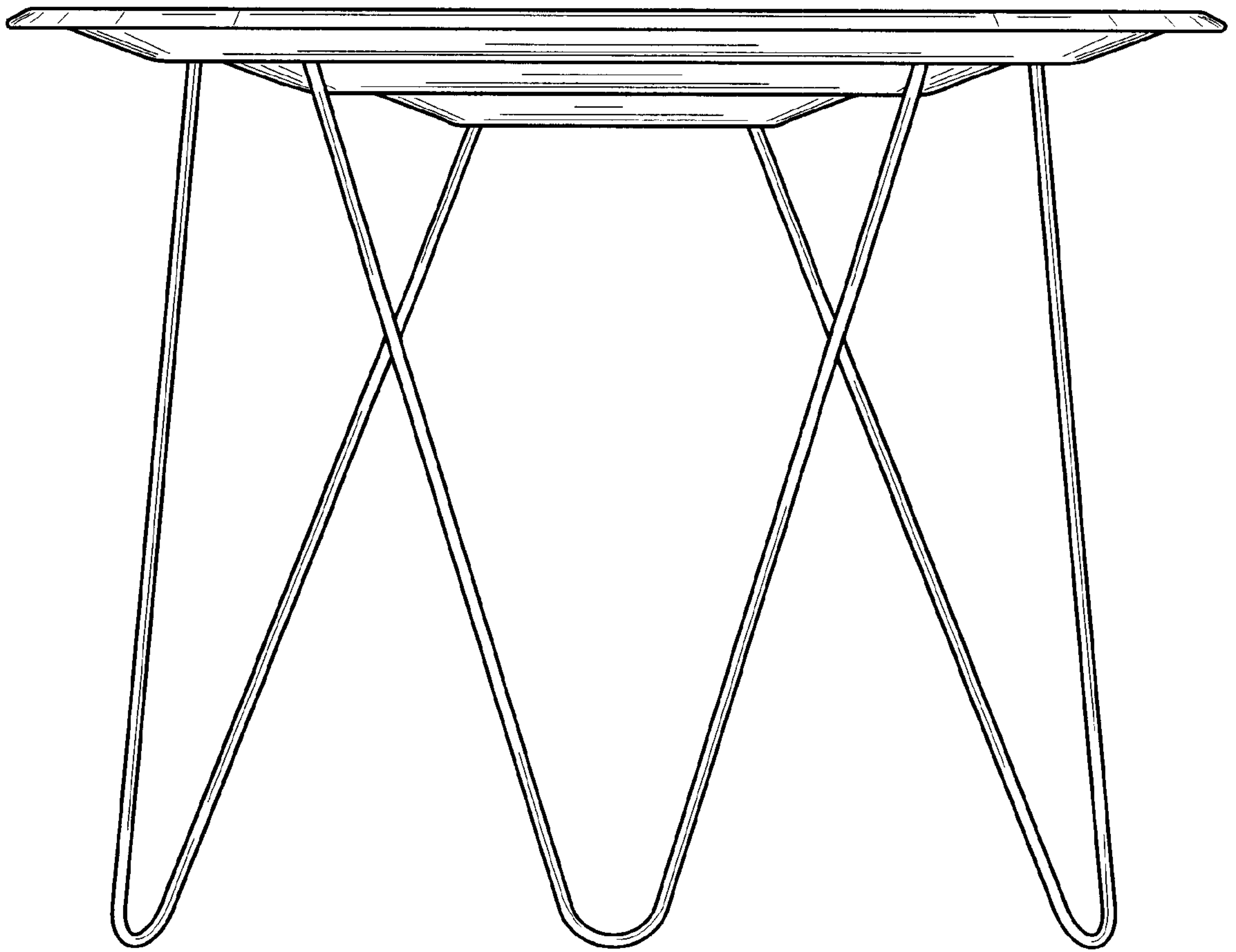


Fig. 4

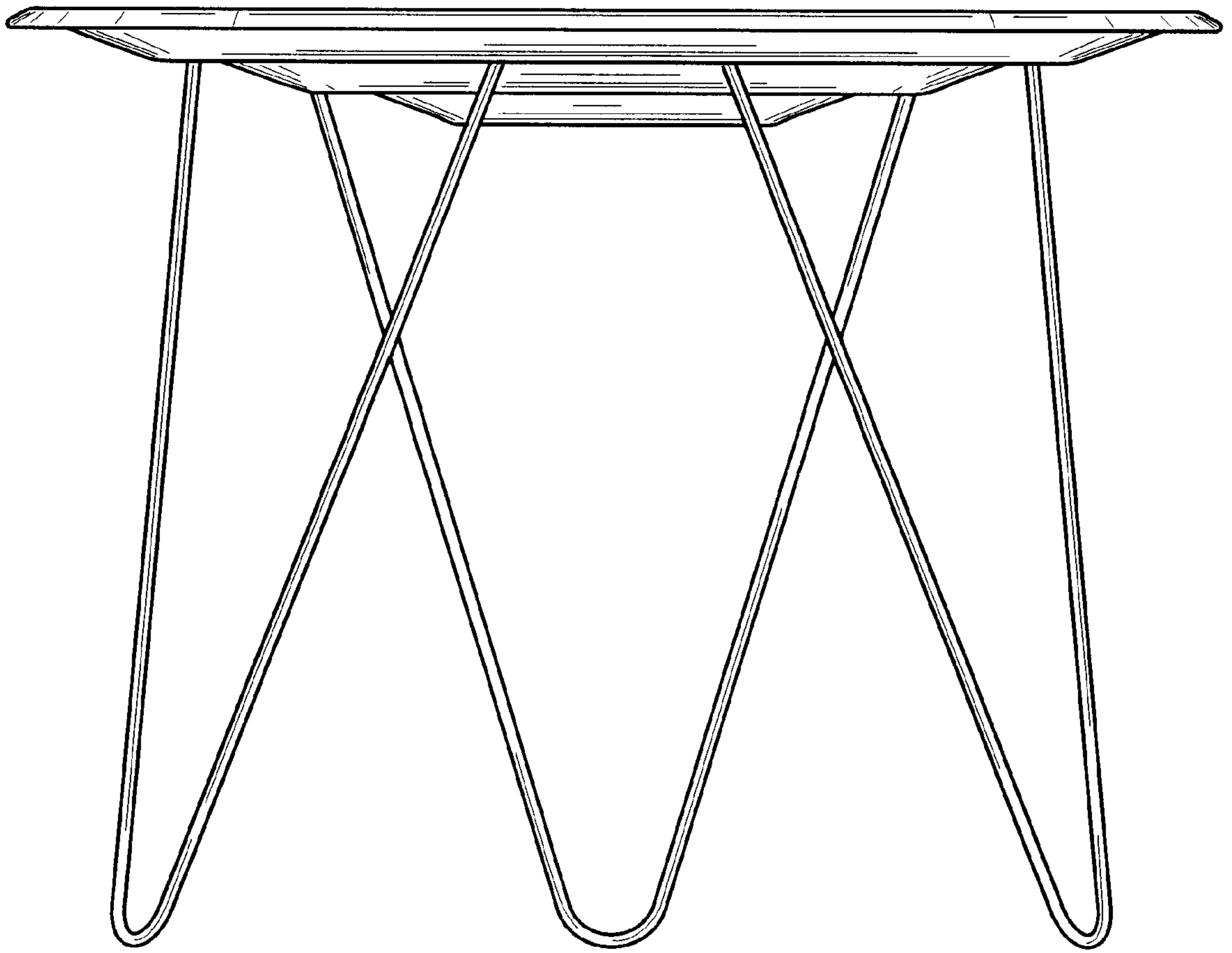


Fig. 5

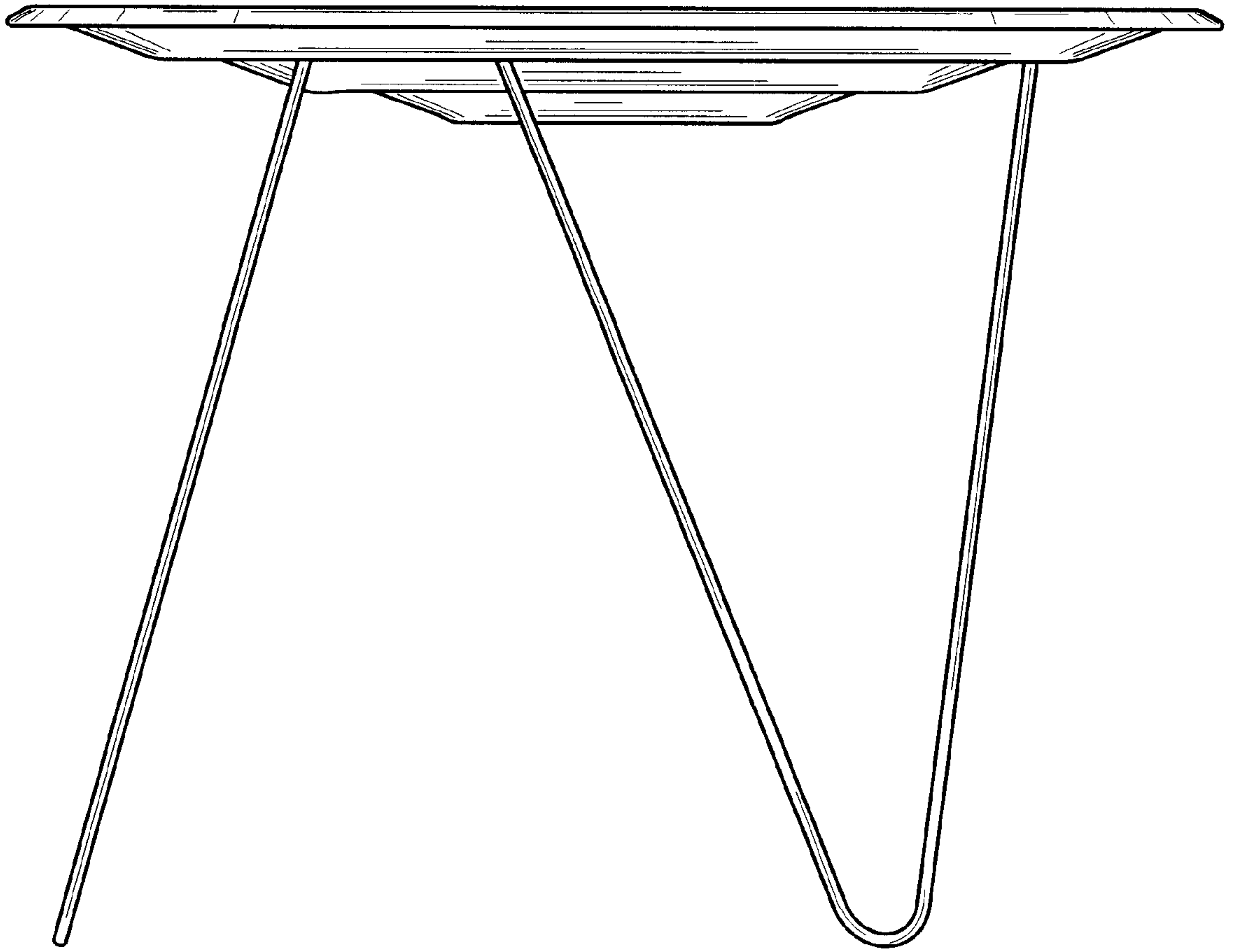


Fig. 6

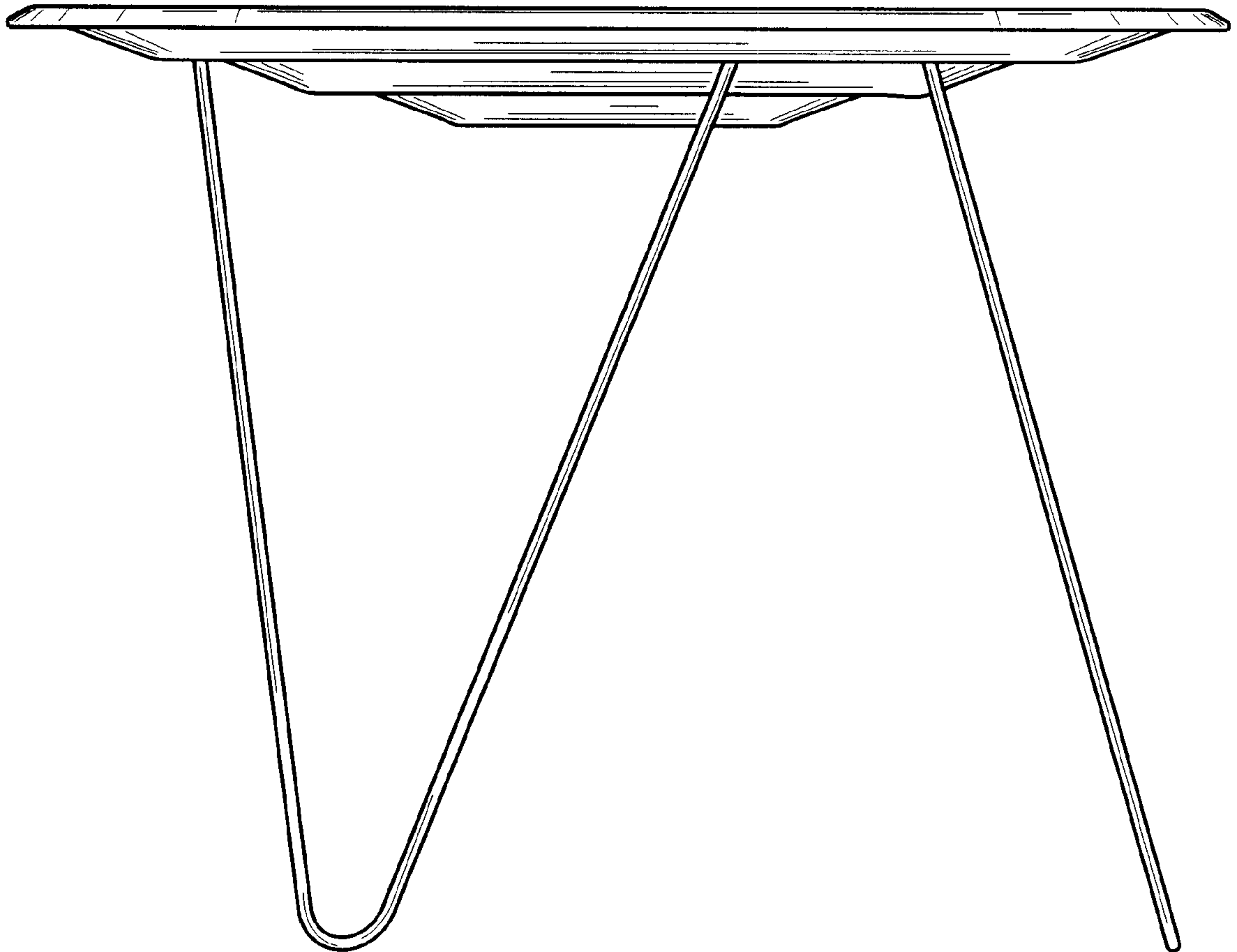


Fig. 7