



US00D484334S

(12) **United States Design Patent** (10) **Patent No.:** **US D484,334 S**  
**Robbins et al.** (45) **Date of Patent:** **\*\* Dec. 30, 2003**

(54) **SPA TABLE**

(75) Inventors: **Alan E. Robbins**, Chippewa Lake, OH (US); **Daniel J. Christopherson**, Aguanga, CA (US)

(73) Assignee: **The Plastic Lumber Company, Inc.**, Akron, OH (US)

(\*\*) Term: **14 Years**

(21) Appl. No.: **29/171,696**

(22) Filed: **Nov. 27, 2002**

(51) **LOC (7) Cl.** ..... **06-03**

(52) **U.S. Cl.** ..... **D6/484; D6/349**

(58) **Field of Search** ..... D6/480-489, 495, D6/349, 355; 108/153.1, 155, 156, 157.1, 157.17, 161; 248/188, 188.8, 188.1

(56) **References Cited**

**U.S. PATENT DOCUMENTS**

D49,154 S	*	6/1916	Martin	.....	D6/355
D62,604 S	*	7/1923	De Shields	.....	D6/349
D268,800 S	*	5/1983	Long	.....	D6/480
D357,145 S	*	4/1995	Bubb	.....	D6/480
D365,937 S	*	1/1996	Skalka	.....	D6/370

**OTHER PUBLICATIONS**

Illums Bolighus Center of Modern Design Book, May 1961, table at right.\*

\* cited by examiner

*Primary Examiner*—Janice E. Seeger

(74) *Attorney, Agent, or Firm*—Hahn, Loeser & Parks LLP

(57) **CLAIM**

The ornamental design for a spa table, as shown and described.

**DESCRIPTION**

FIG. 1 is a perspective view of a first embodiment of applicants' spa table;

FIG. 2 is a perspective view of a second embodiment of applicant's spa table;

FIG. 3 is a side elevation view of the spa table of the first and second embodiment as shown in FIG. 1 and FIG. 2, the opposite side view being a mirror image thereof;

FIG. 4 is a top elevation view of a first embodiment of the applicant's spa table shown in FIG. 1;

FIG. 5 is a top elevation view of a second embodiment of the applicant's spa table shown in FIG. 2;

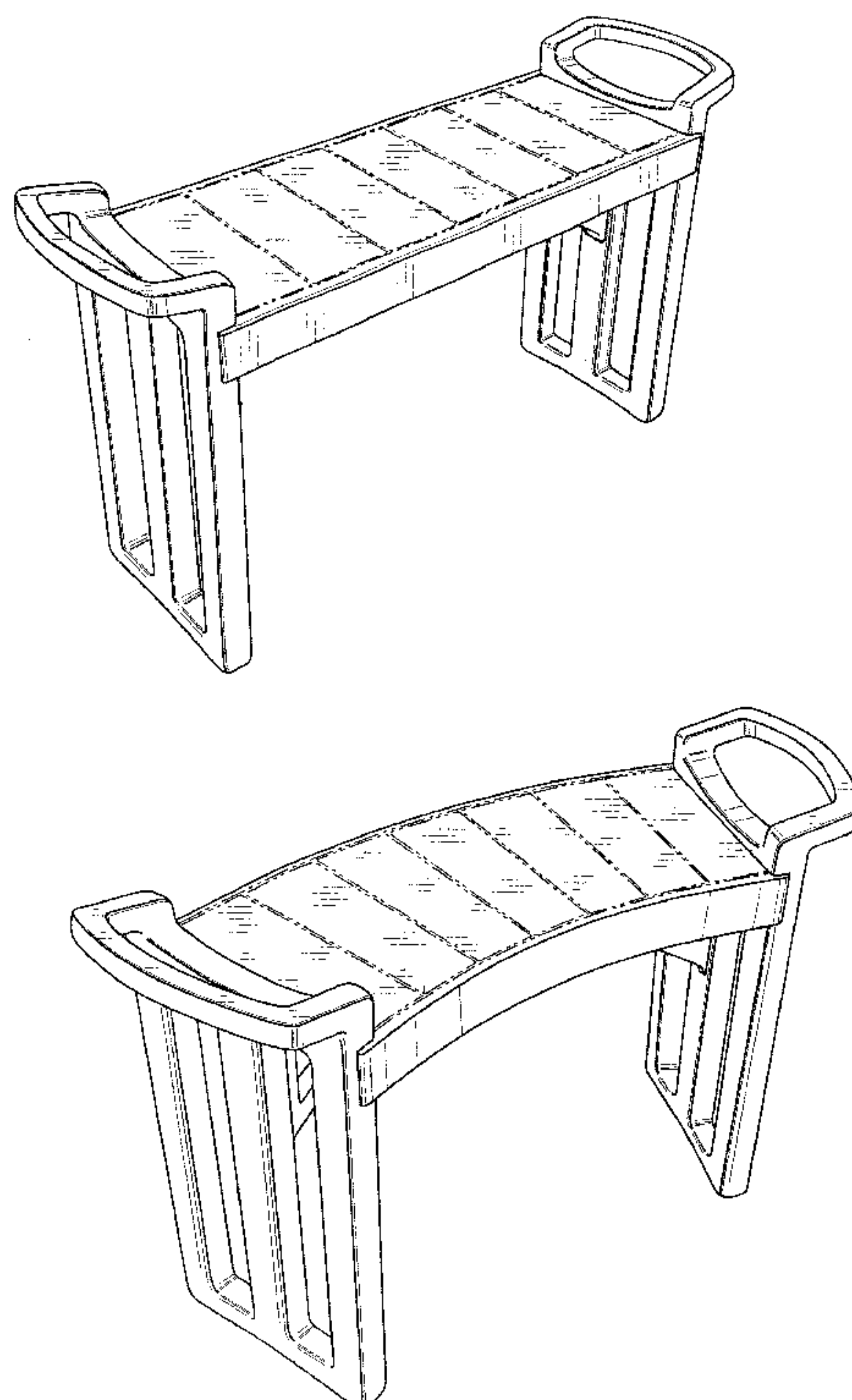
FIG. 6 is a front elevation view of the spa table of the first embodiment as shown in FIG. 1, the opposite side view being a mirror image thereof;

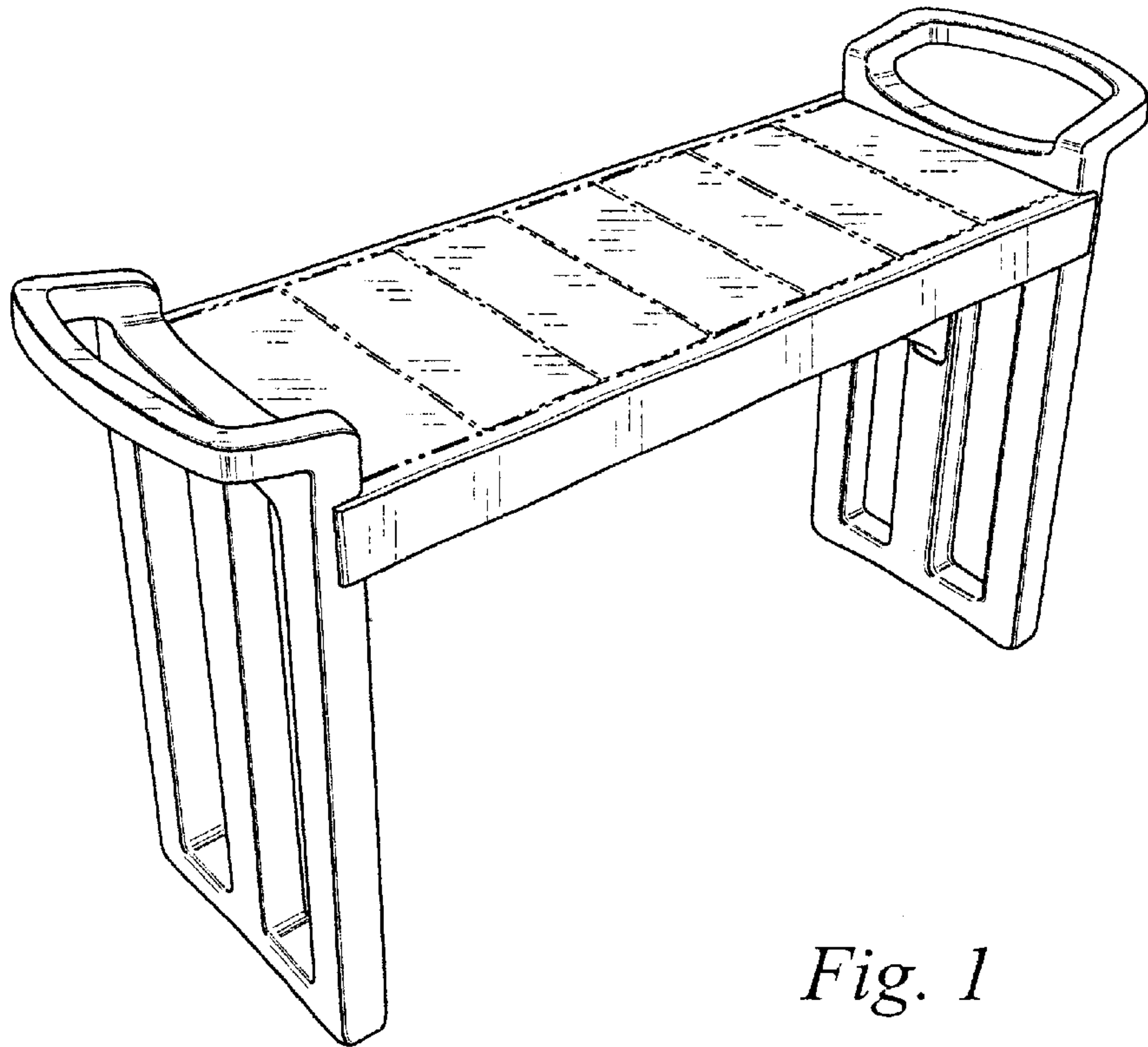
FIG. 7 is a front elevation view of the spa table of the second embodiment as shown in FIG. 2; and,

FIG. 8 is a rear elevation view of the spa table of the second embodiment as shown in FIG. 2.

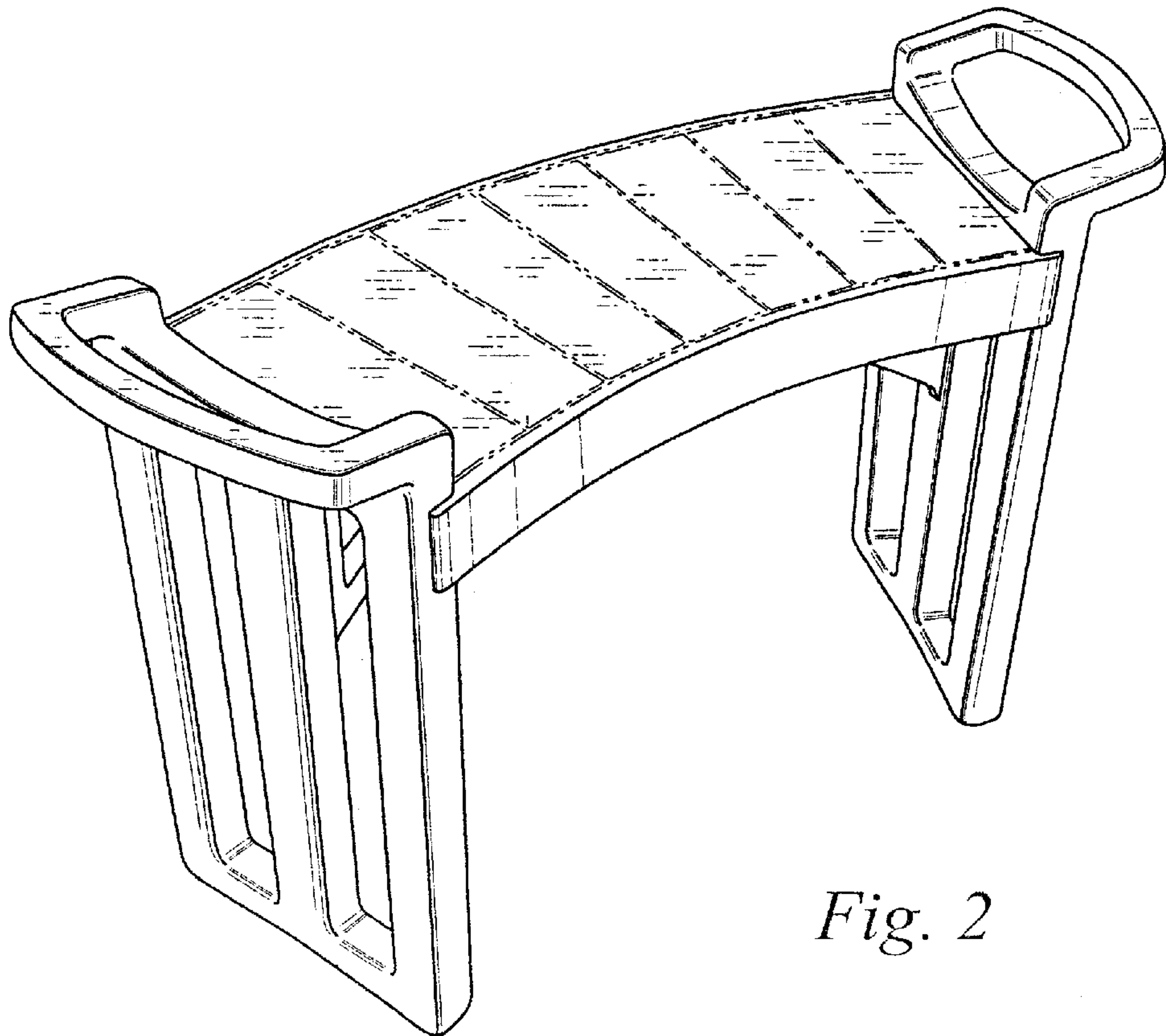
The broken line disclosure is for illustrative purposes only and forms no part of the claimed design.

**1 Claim, 4 Drawing Sheets**





*Fig. 1*



*Fig. 2*

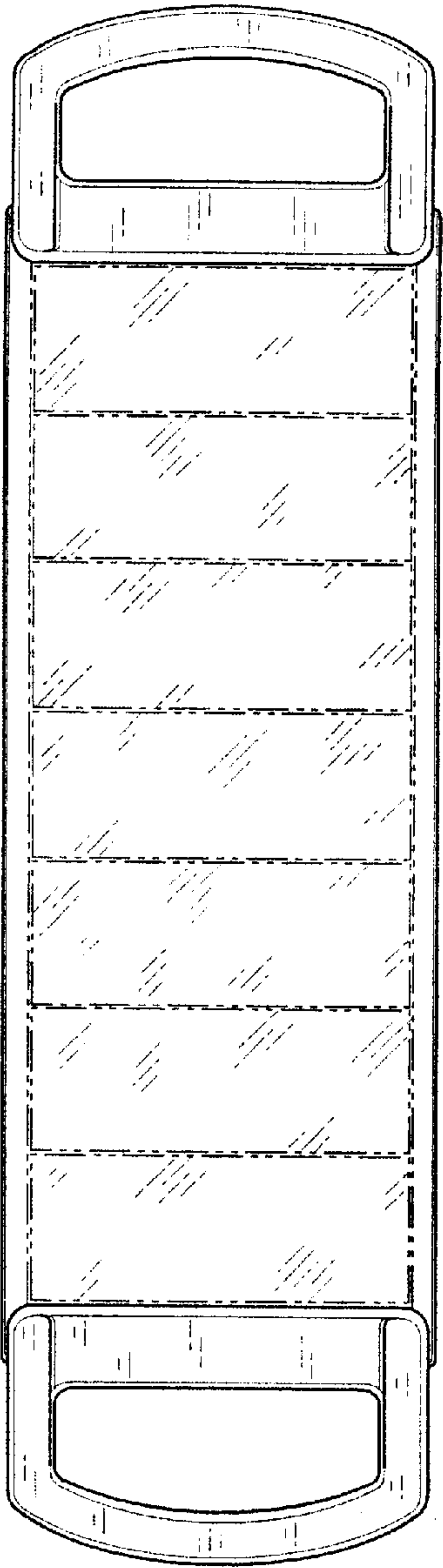


Fig. 4

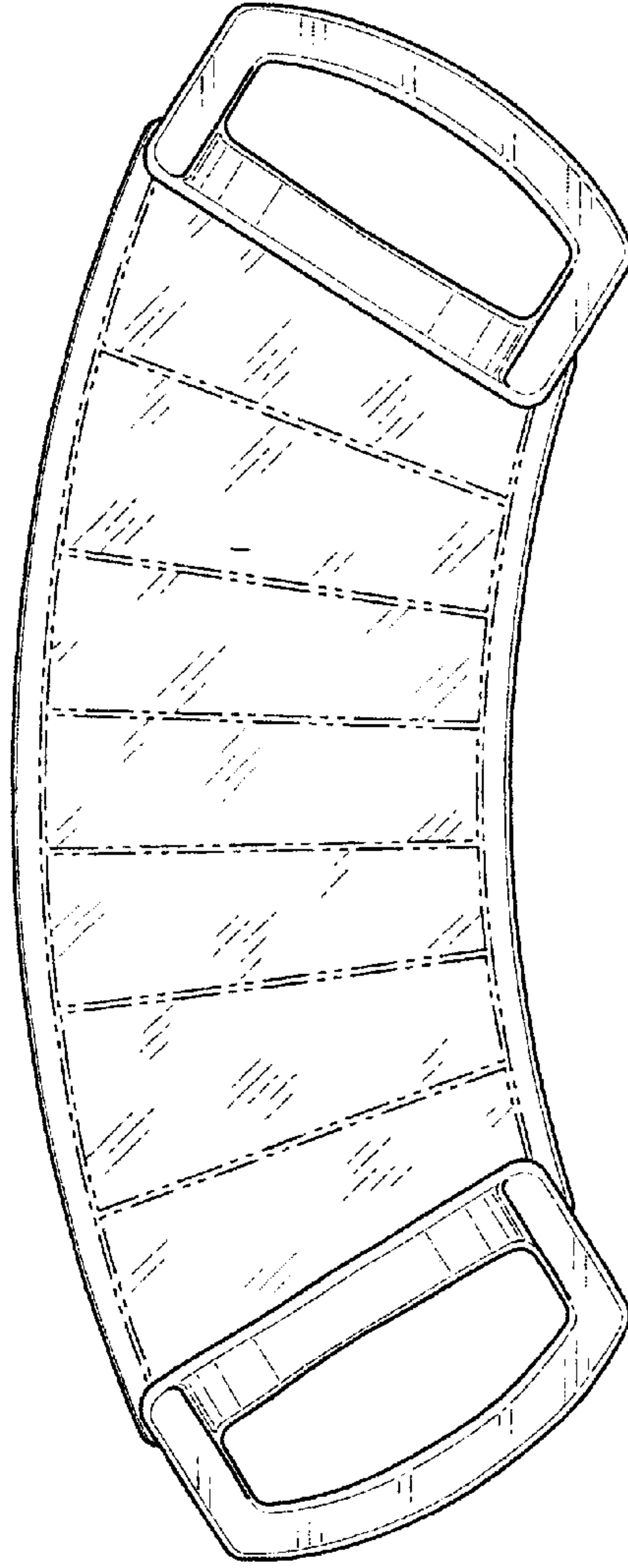


Fig. 5

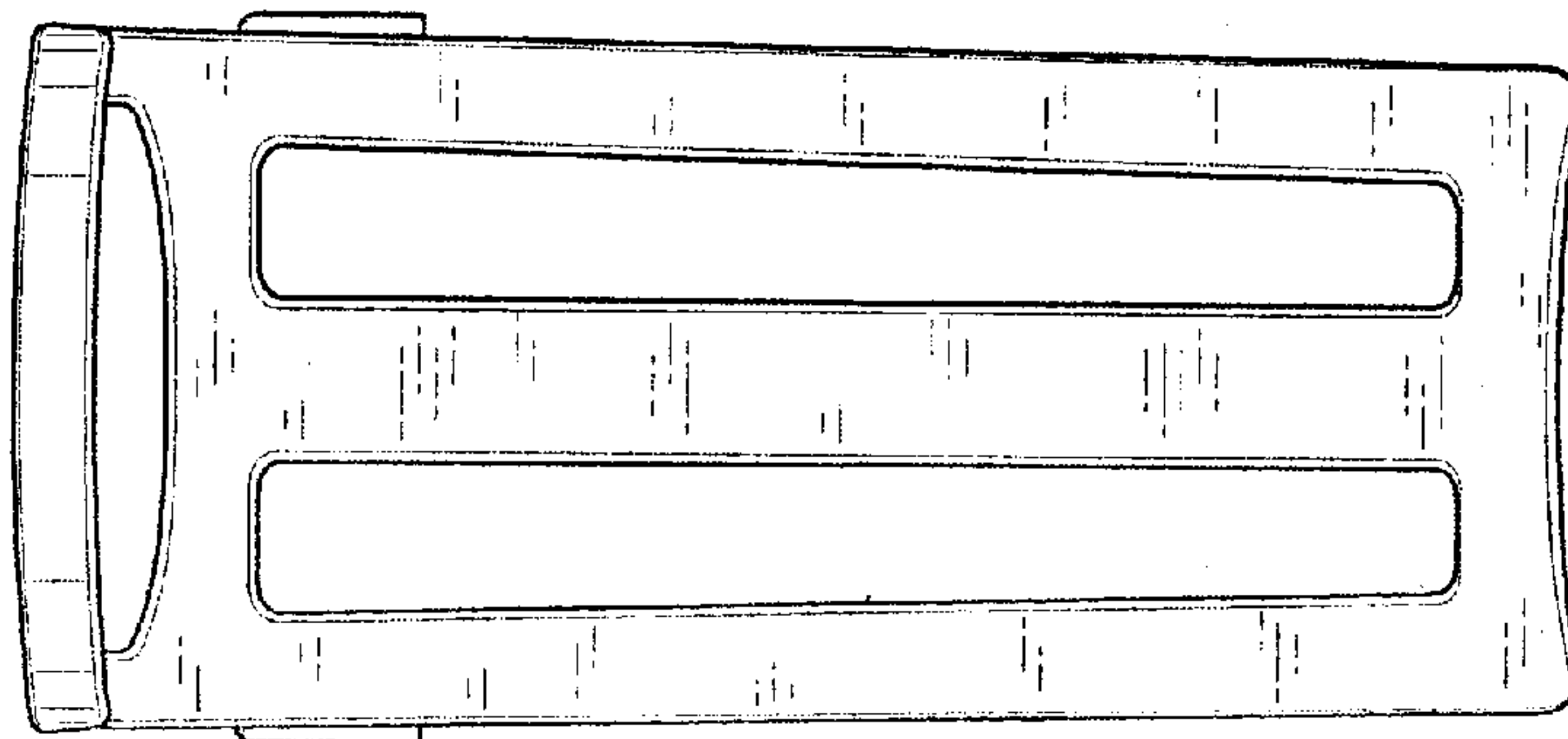
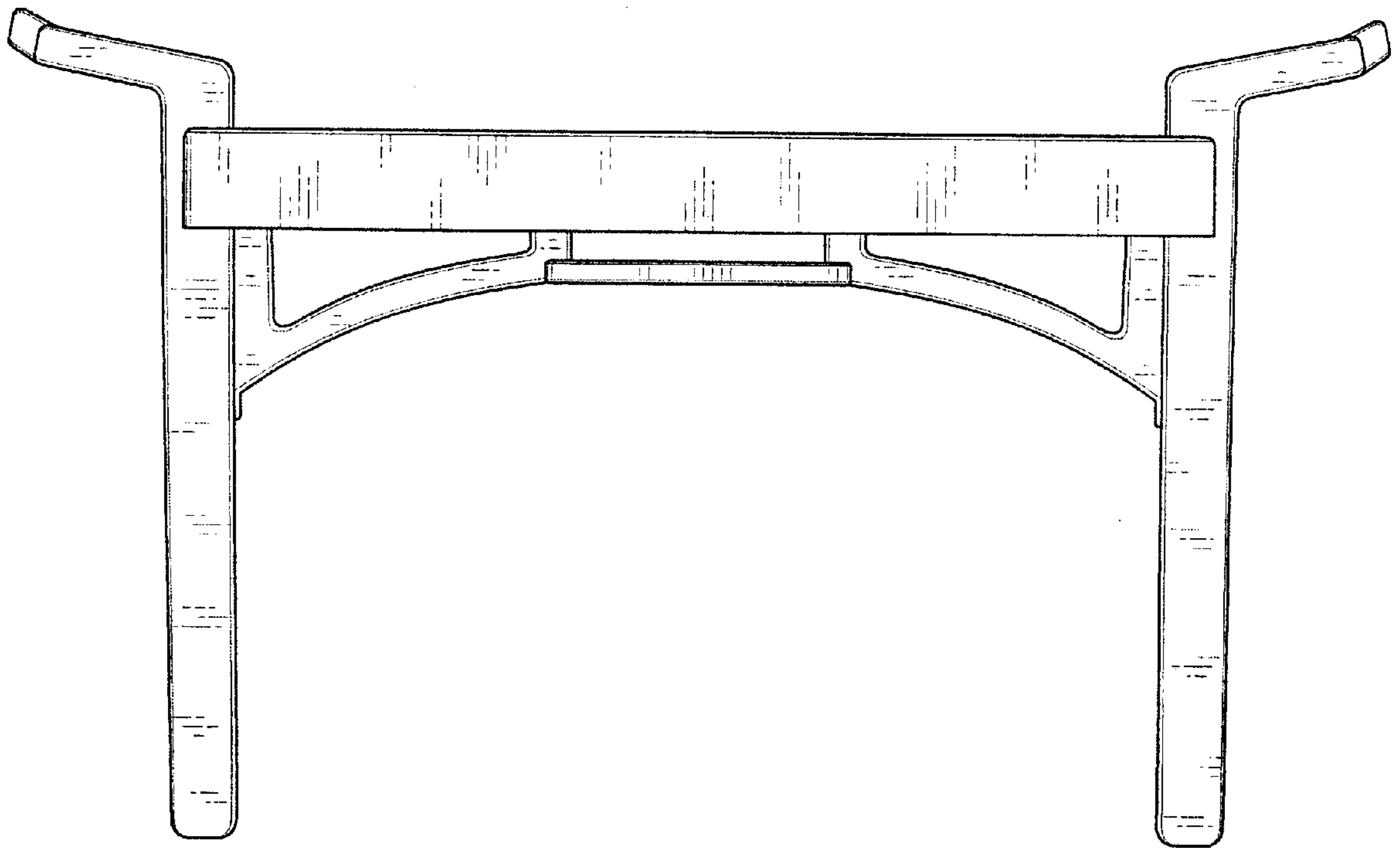
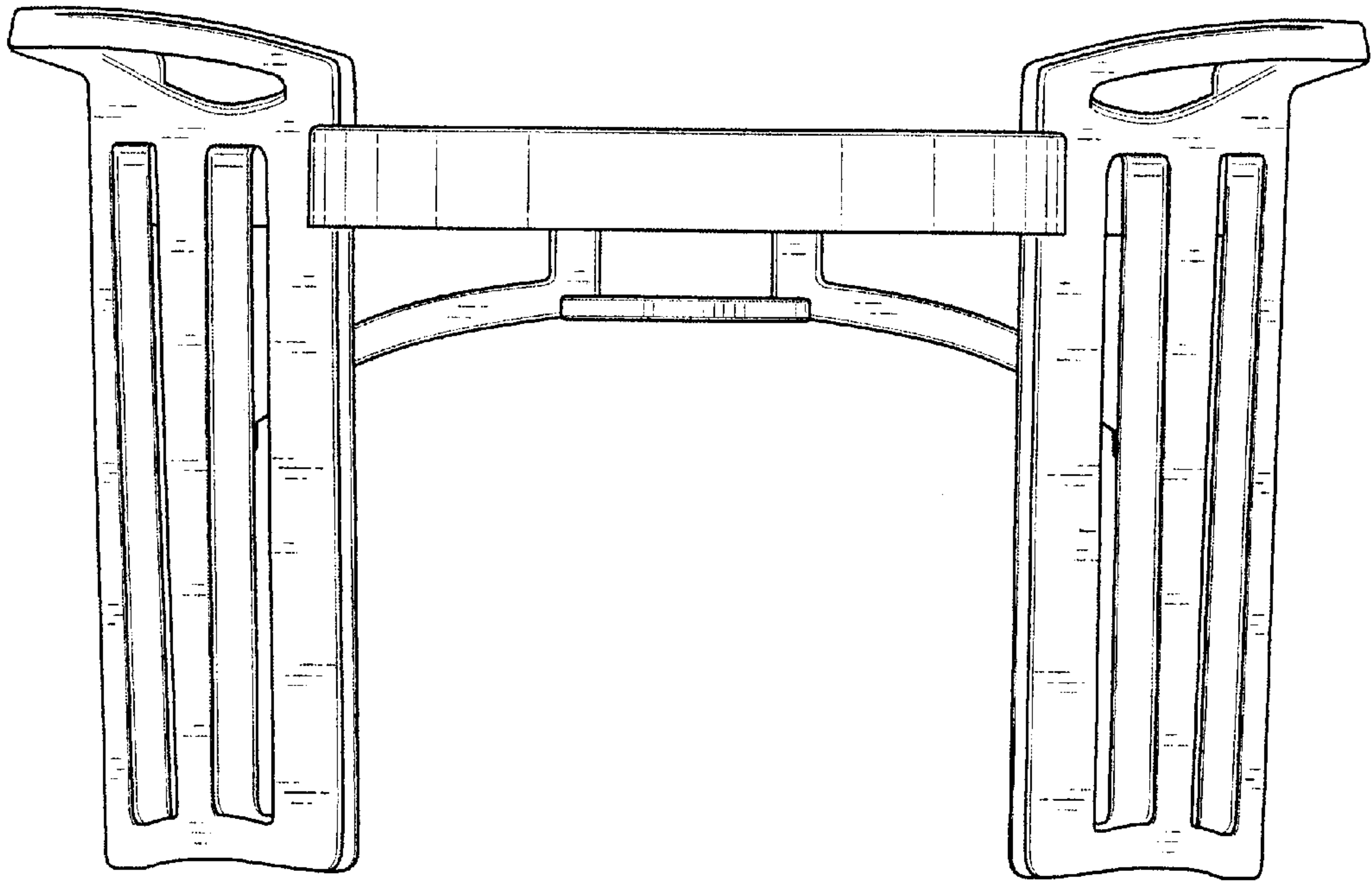


Fig. 3

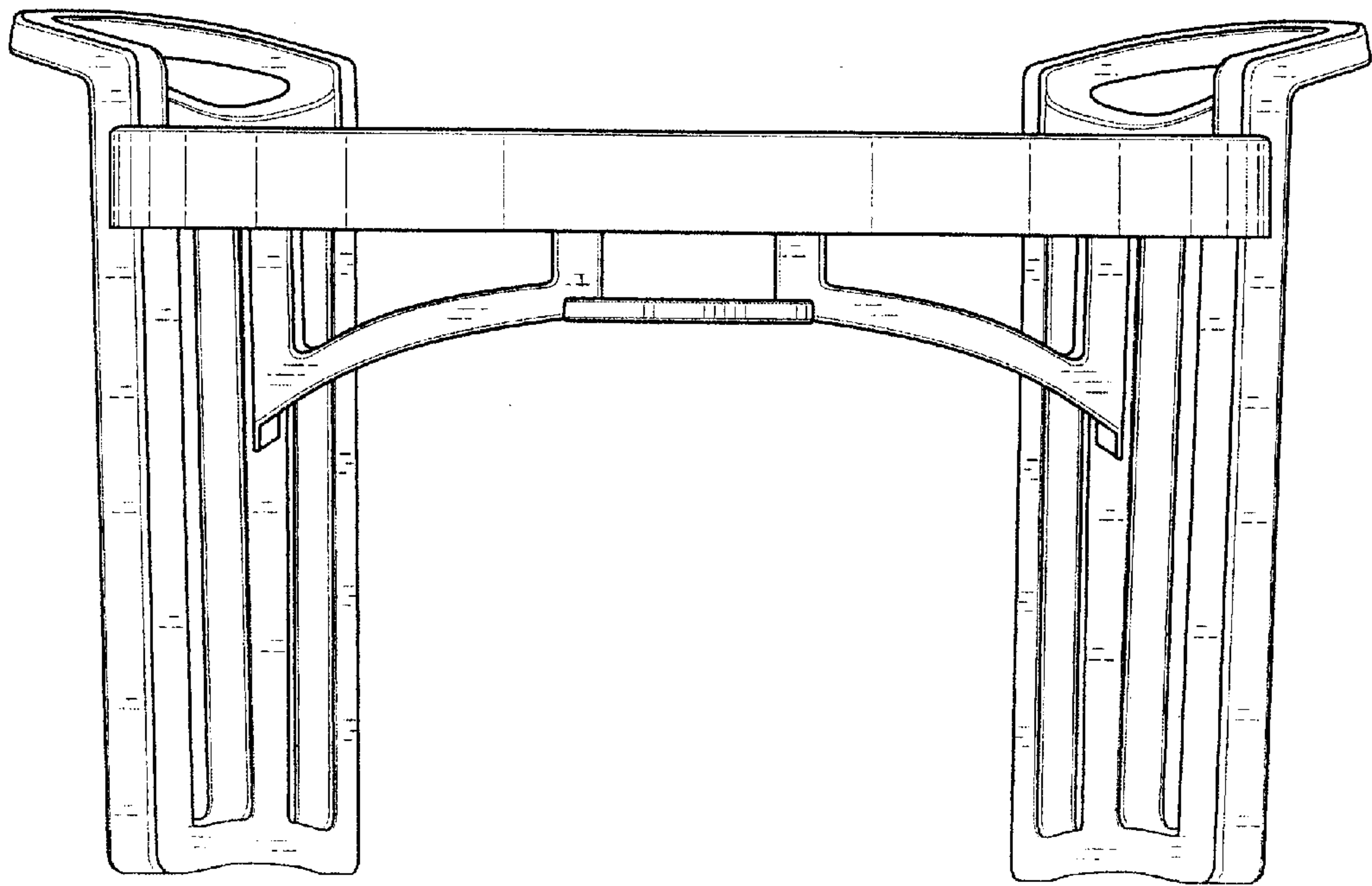


*Fig. 6*





*Fig. 7*



*Fig. 8*