



US00D484332S

(12) **United States Design Patent**  
**Niitsu**

(10) **Patent No.:** **US D484,332 S**

(45) **Date of Patent:** **\*\* Dec. 30, 2003**

(54) **TELEVISION RECEIVER STAND**

D465,355 S \* 11/2002 Luong ..... D6/477

(75) Inventor: **Takuya Niitsu**, Tokyo (JP)

\* cited by examiner

(73) Assignee: **Sony Corporation**, Tokyo (JP)

*Primary Examiner*—Cathron C. Brooks

(\*\*) Term: **14 Years**

(74) *Attorney, Agent, or Firm*—Rader, Fishman & Grauer  
PLLC

(21) Appl. No.: **29/169,814**

(57) **CLAIM**

(22) Filed: **Oct. 28, 2002**

The ornamental design for a television receiver stand, as shown.

(51) **LOC (7) Cl.** ..... **06-04**

**DESCRIPTION**

(52) **U.S. Cl.** ..... **D6/477**

(58) **Field of Search** ..... D6/396, 397, 630,  
D6/449, 465, 468, 474, 499, 476-479, 510,  
511; 108/59-61, 91-93, 147.11, 158.11;  
211/42, 43, 49.1, 85.26, 133.2, 134, 181.1,  
182, 188, 203; 312/7.2

FIG. 1 is a perspective view of a television receiver stand showing my new design;

FIG. 2 is a front elevational view thereof;

FIG. 3 is a rear elevational view thereof;

FIG. 4 is a left side elevational view thereof;

FIG. 5 is a right side elevational view thereof;

FIG. 6 is a top plan view thereof; and,

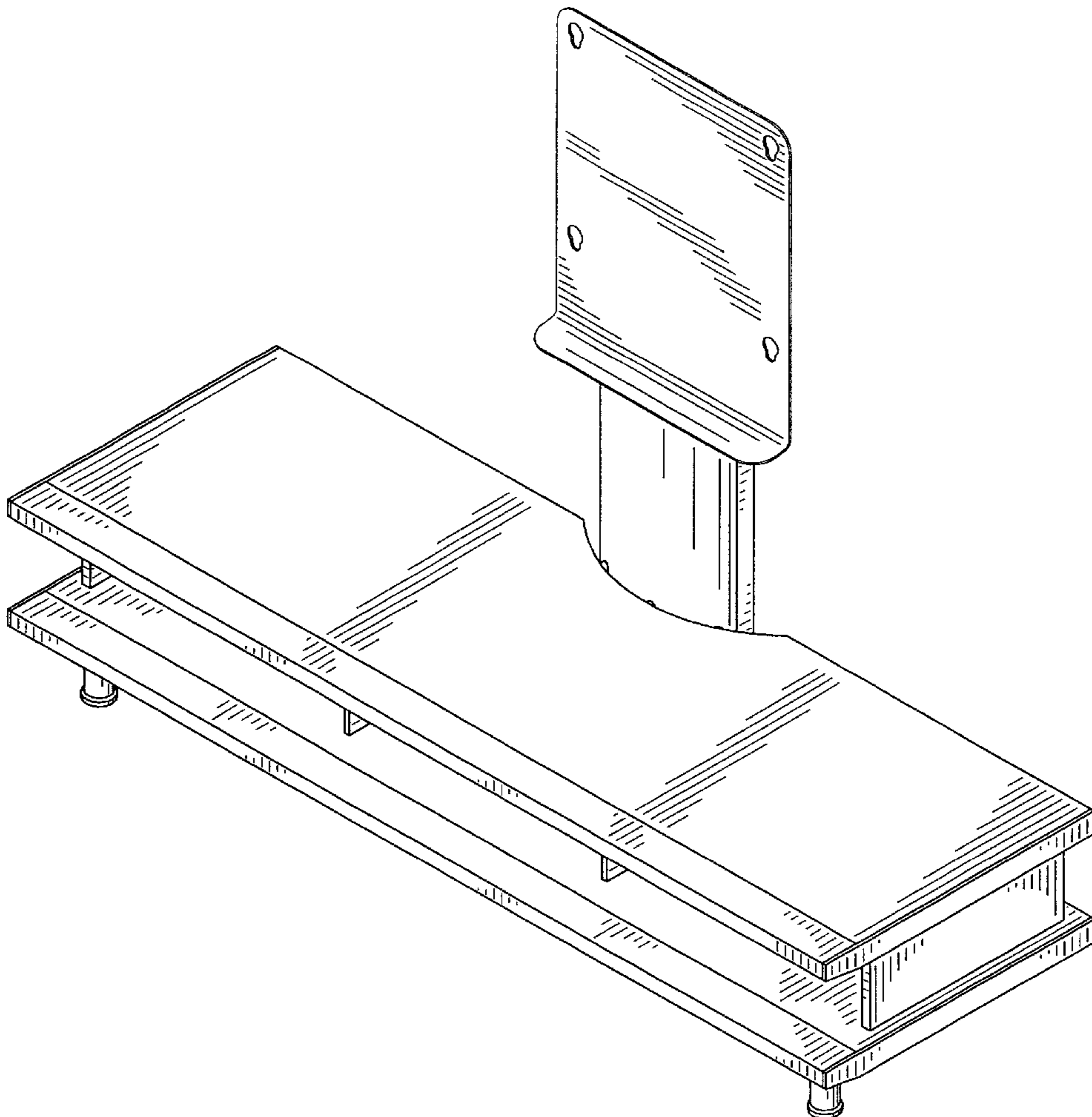
FIG. 7 is a bottom plan view thereof.

(56) **References Cited**

**U.S. PATENT DOCUMENTS**

D458,053 S \* 6/2002 Luong ..... D6/477

**1 Claim, 5 Drawing Sheets**



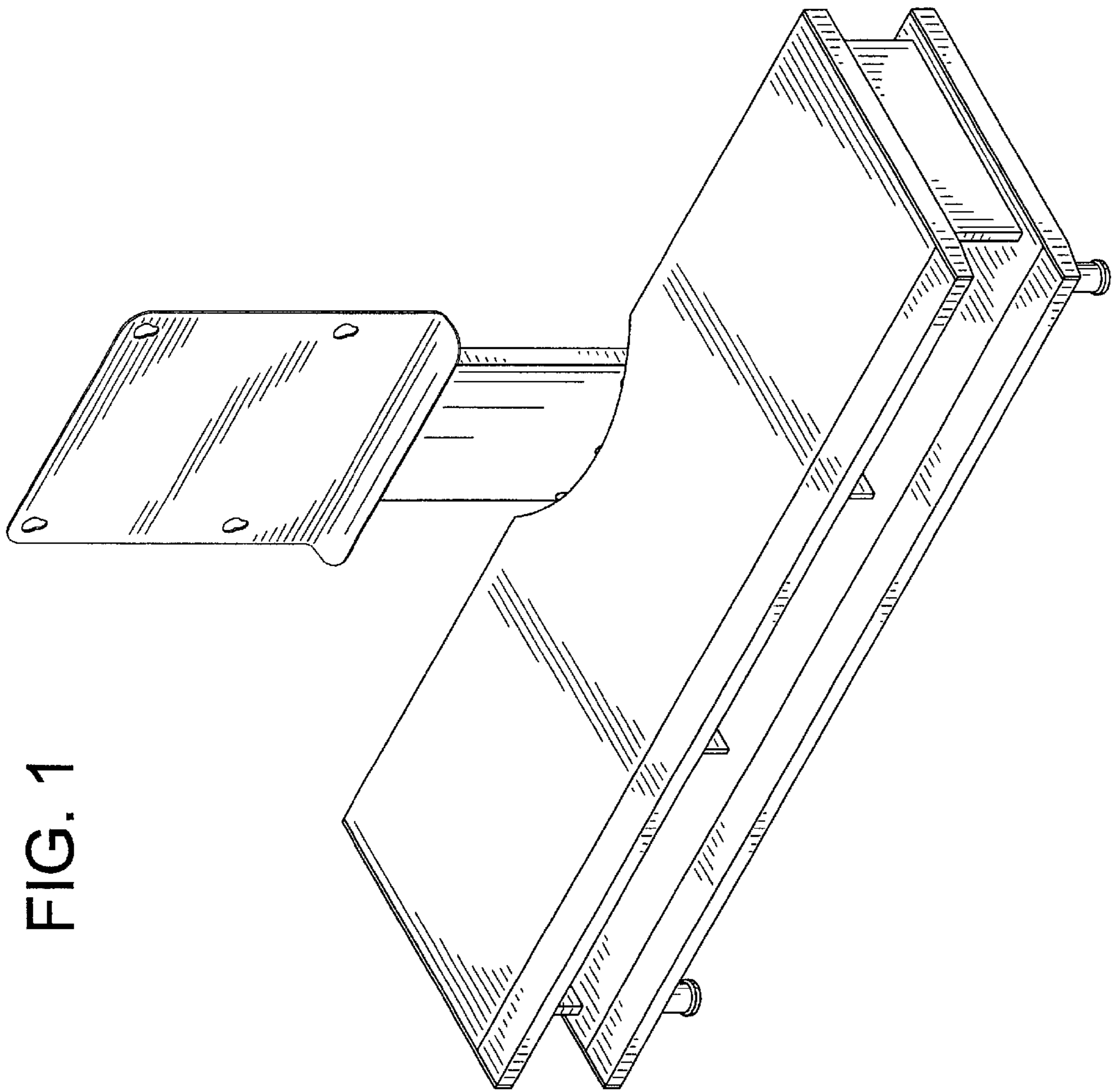


FIG. 1

FIG. 2

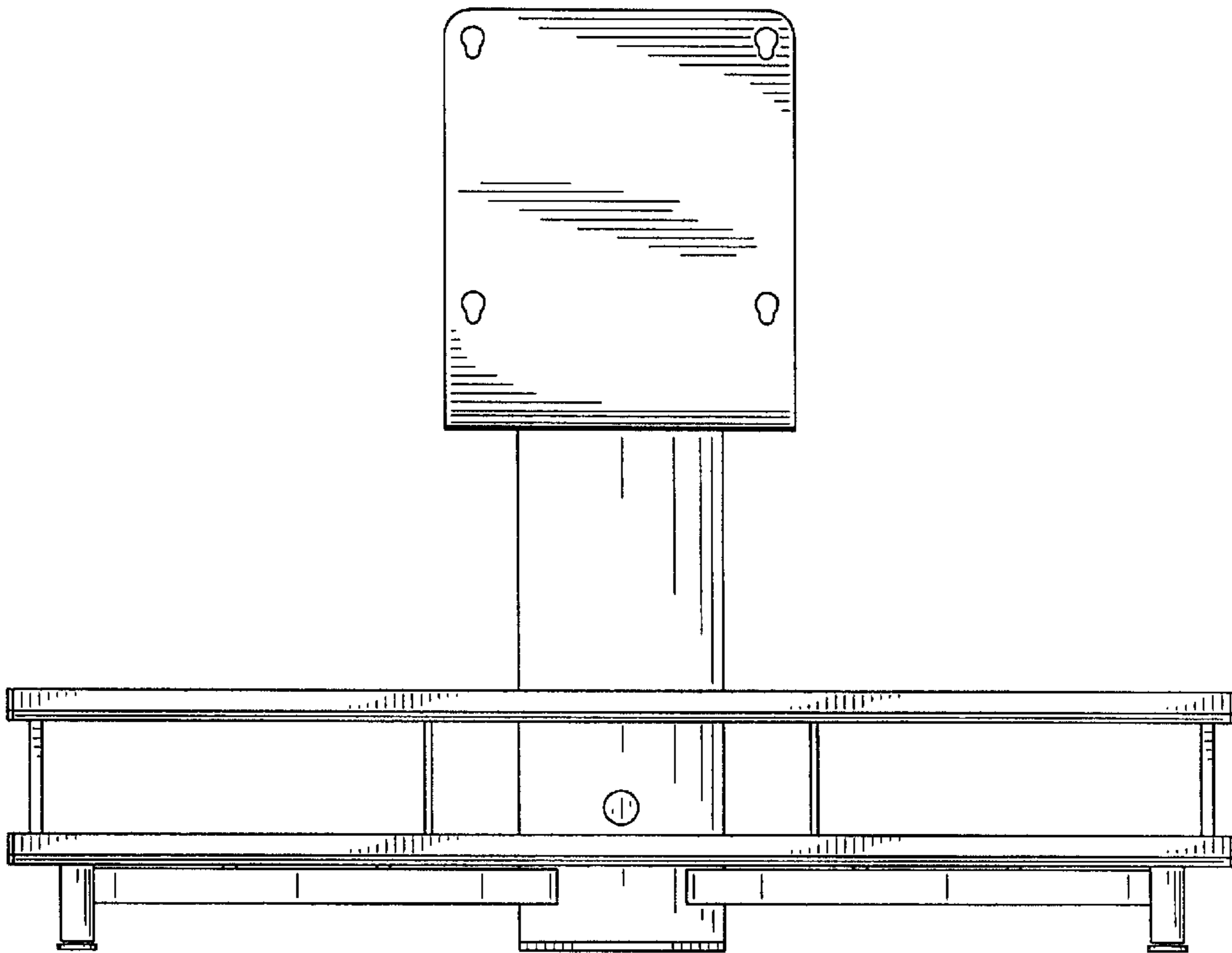


FIG. 3

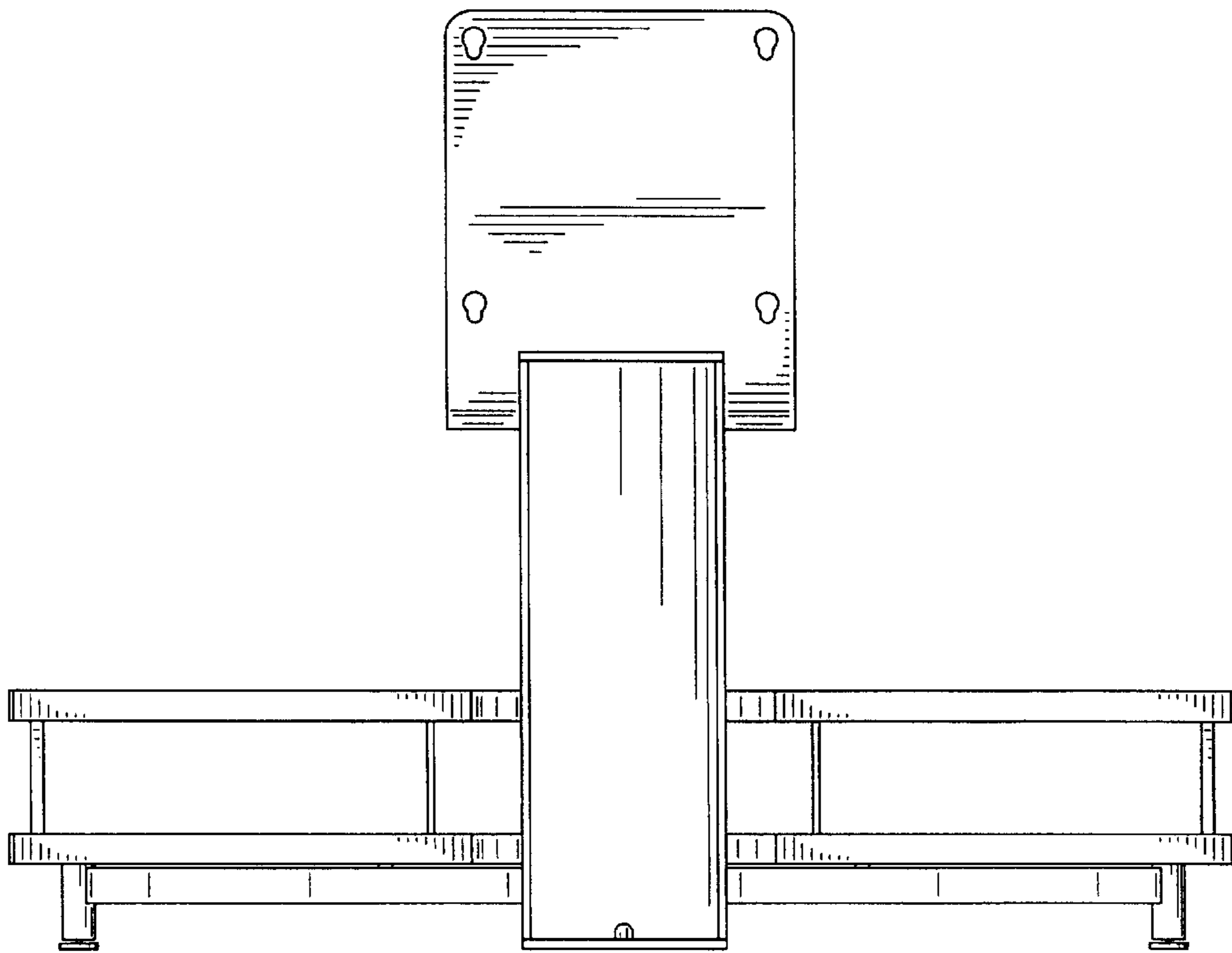


FIG. 4

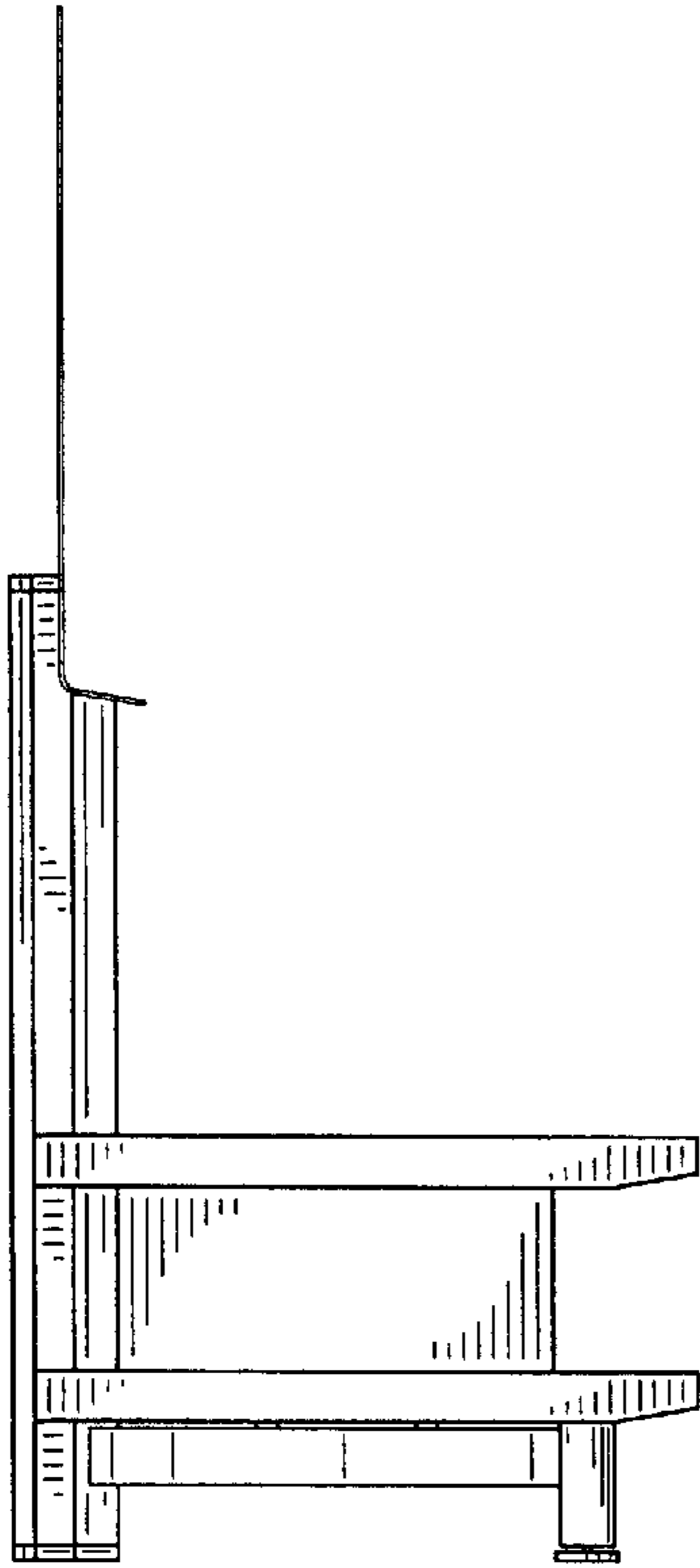


FIG. 5

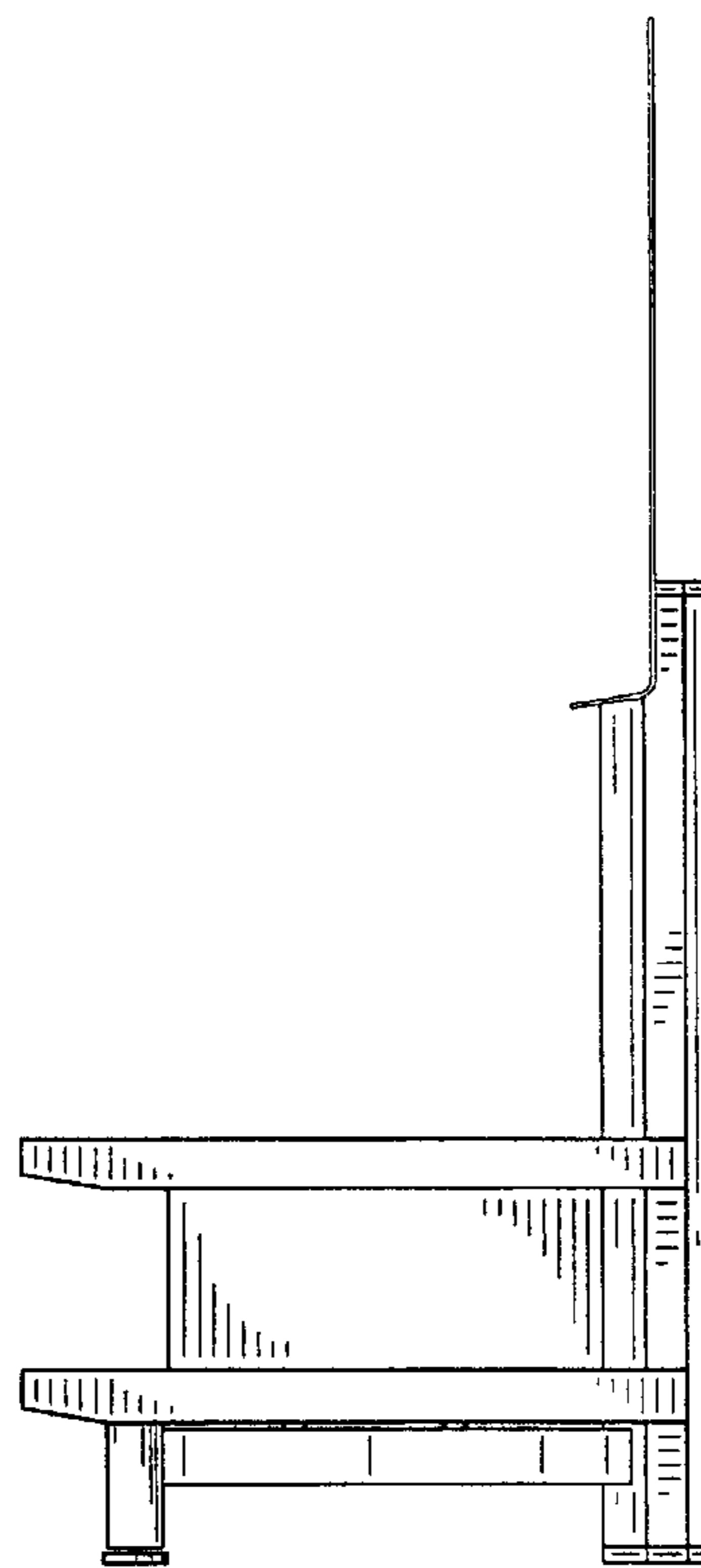


FIG. 6

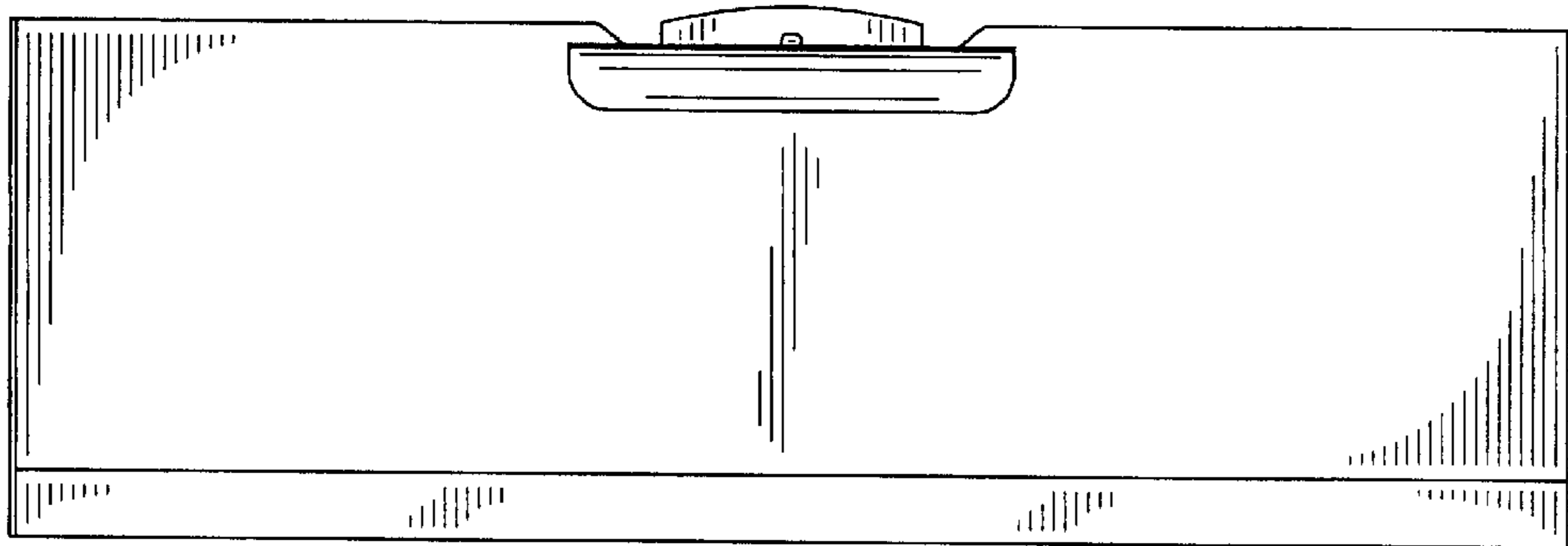


FIG. 7

