



US00D484331S

(12) **United States Design Patent**
Peyker

(10) **Patent No.:** **US D484,331 S**

(45) **Date of Patent:** **** Dec. 30, 2003**

(54) **DISPLAY STAND FOR EYEWEAR**

(75) Inventor: **Katharina Peyker**, Salzburg/Anif (AT)

(73) Assignee: **Silhouette International Schmied AG**,
Linz (AT)

(**) Term: **14 Years**

(21) Appl. No.: **29/183,715**

(22) Filed: **Jun. 17, 2003**

(30) **Foreign Application Priority Data**

Mar. 24, 2003 (AT) MU 997/2003

(51) **LOC (7) Cl.** **06-04**

(52) **U.S. Cl.** **D6/468; D6/630**

(58) **Field of Search** D6/397, 405, 630,
D6/455, 457-462, 465, 467-469, 473, 474,
479; 108/59, 91-93, 106, 147.12, 147.13;
211/13.1, 85.1, 85.21, 49.1, 50, 70, 74,
78, 60.1, 134, 189, 195; 248/102, 105,
346.03, 349.1

(56) **References Cited**

U.S. PATENT DOCUMENTS

D215,900 S * 11/1969 Combs D6/474

D283,862 S * 5/1986 Edson et al. D6/473

D334,215 S * 3/1993 Rowlands D20/21
D404,224 S * 1/1999 Favetta D6/455
D405,989 S * 2/1999 Rosso D6/478
D436,787 S * 1/2001 London D6/630
D459,137 S * 6/2002 Poirier D6/630
D478,227 S * 8/2003 Peyker D6/468

* cited by examiner

Primary Examiner—Cathron C. Brooks

(74) *Attorney, Agent, or Firm*—Alston & Bird LLP

(57) **CLAIM**

The ornamental design for a display stand for eyewear, as shown and described.

DESCRIPTION

FIG. 1 is a perspective view of a display stand for eyewear according to the present design;

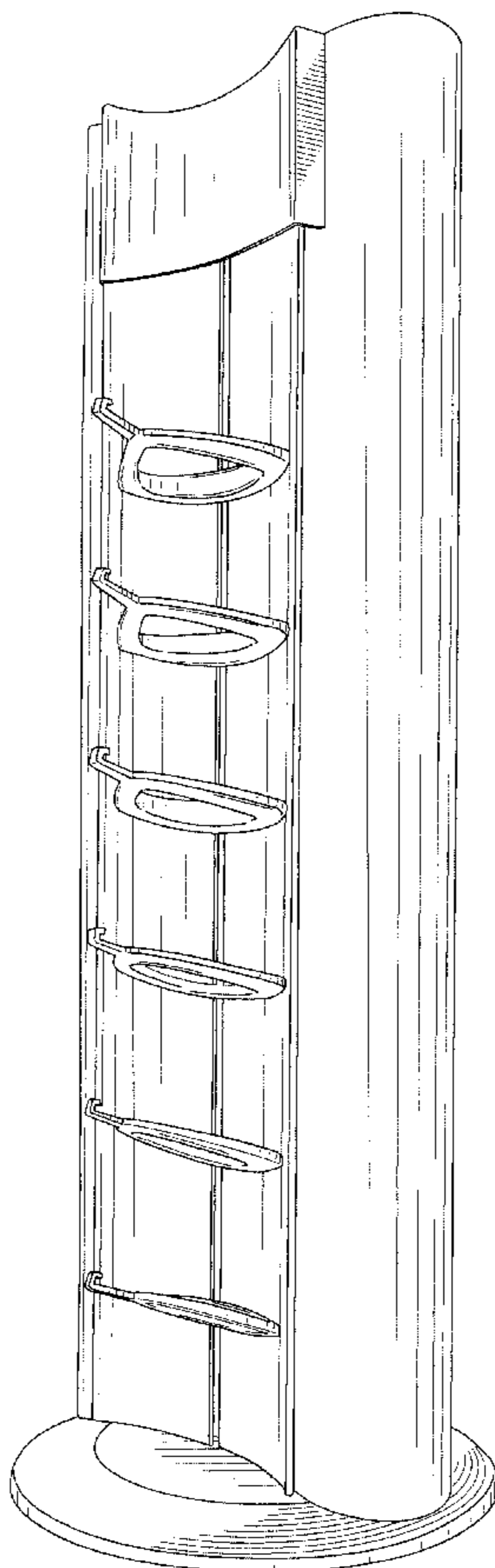
FIG. 2 is a front elevation view of the display stand as shown in FIG. 1;

FIG. 3 is a left side elevation view of the display stand as shown in FIG. 1, the right side elevation view being a mirror image thereof;

FIG. 4 is a top plan view of the display stand as shown in FIG. 1; and,

FIG. 5 is a bottom plan view of the display stand as shown in FIG. 1.

1 Claim, 4 Drawing Sheets



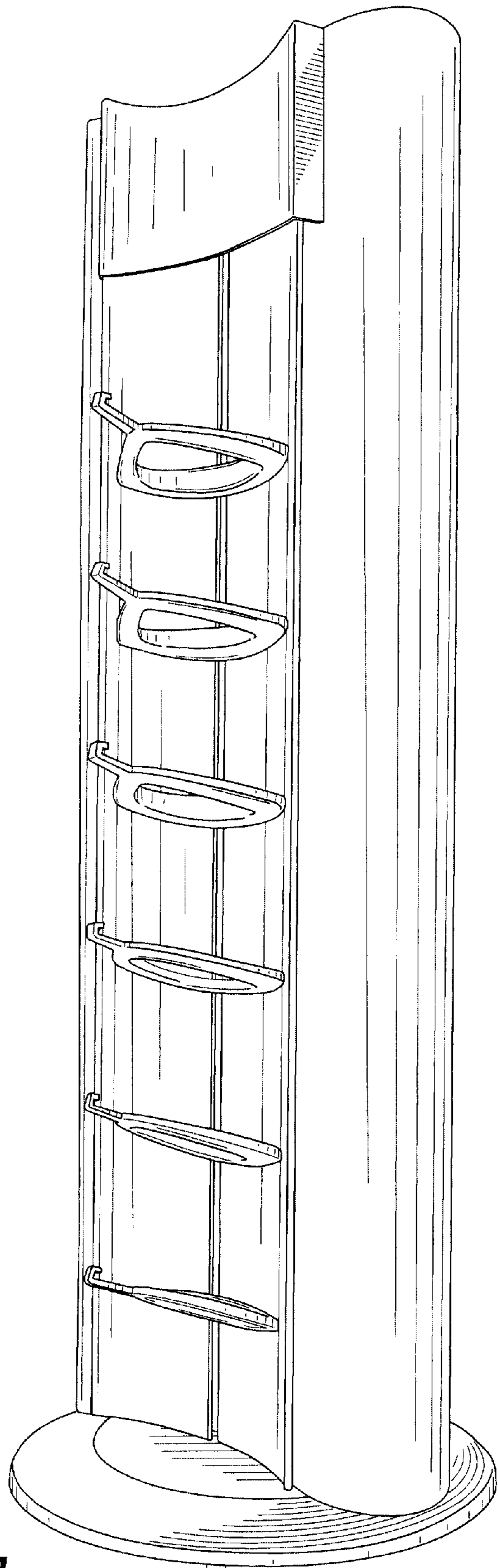


FIG. 1

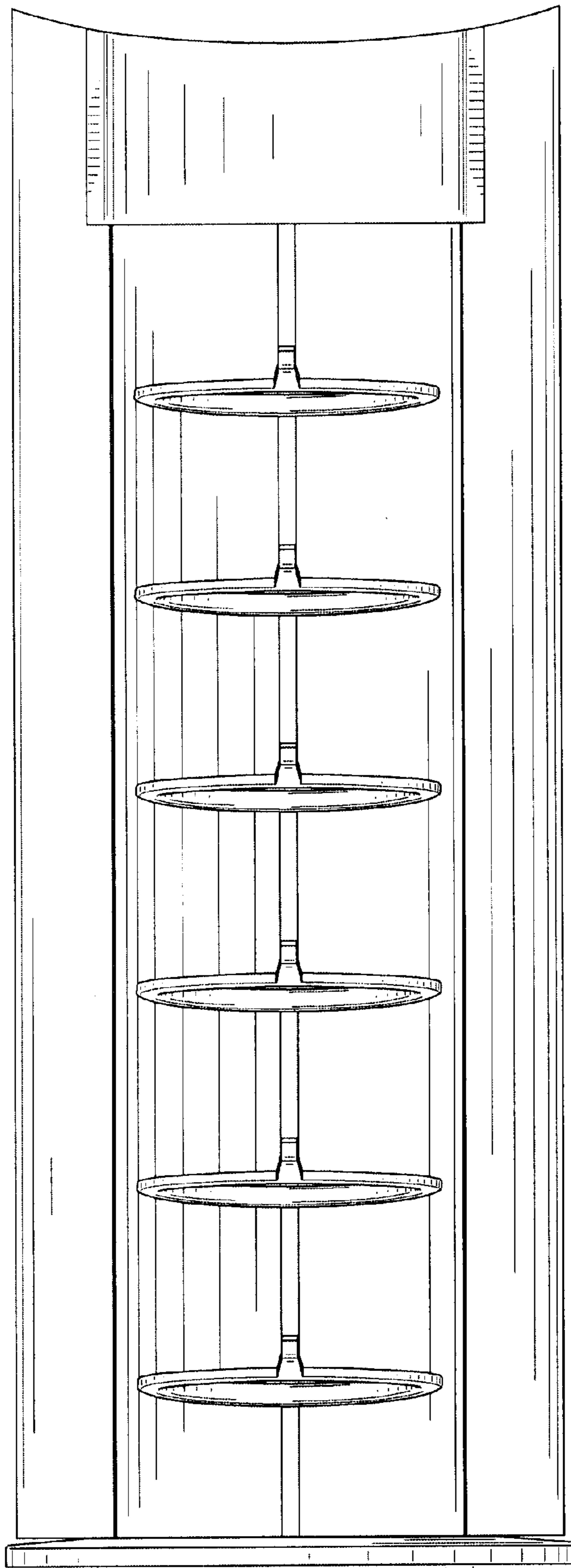


FIG. 2

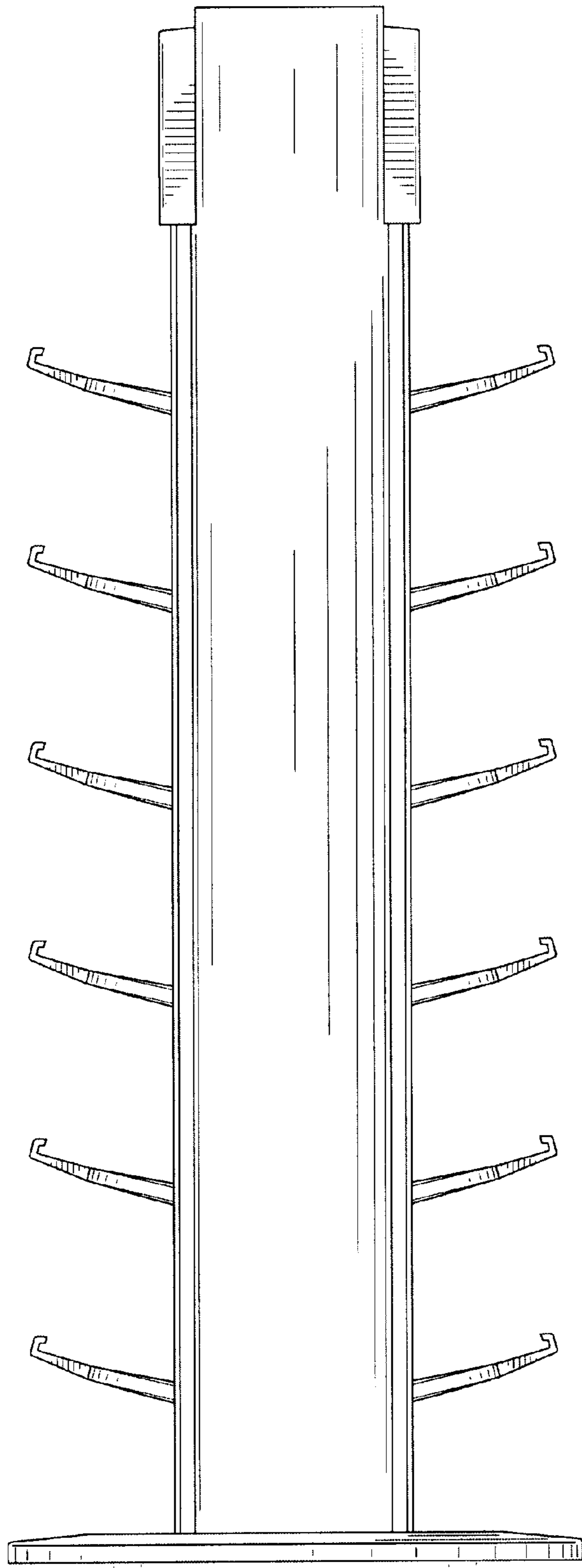


FIG. 3

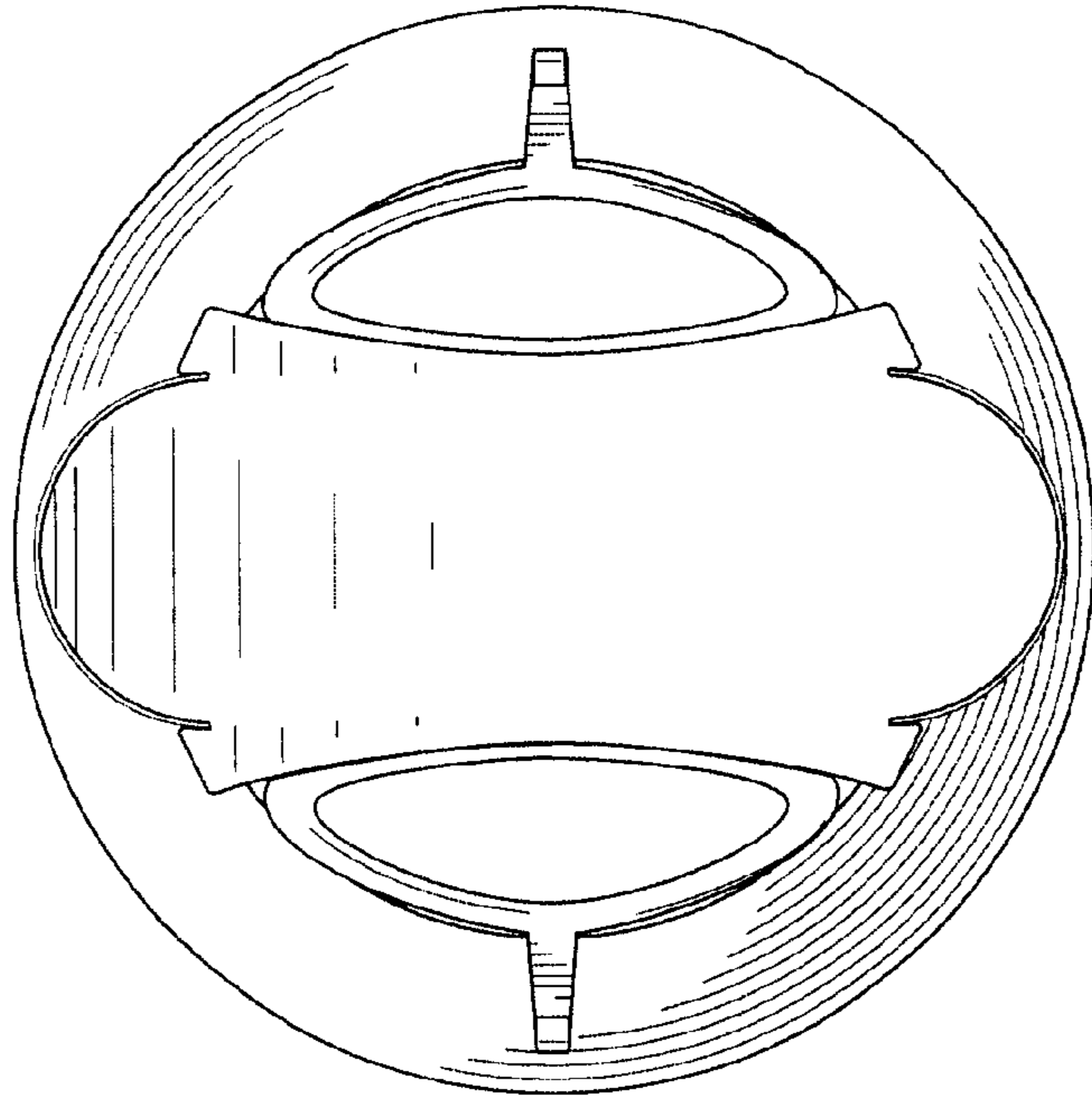


FIG. 4

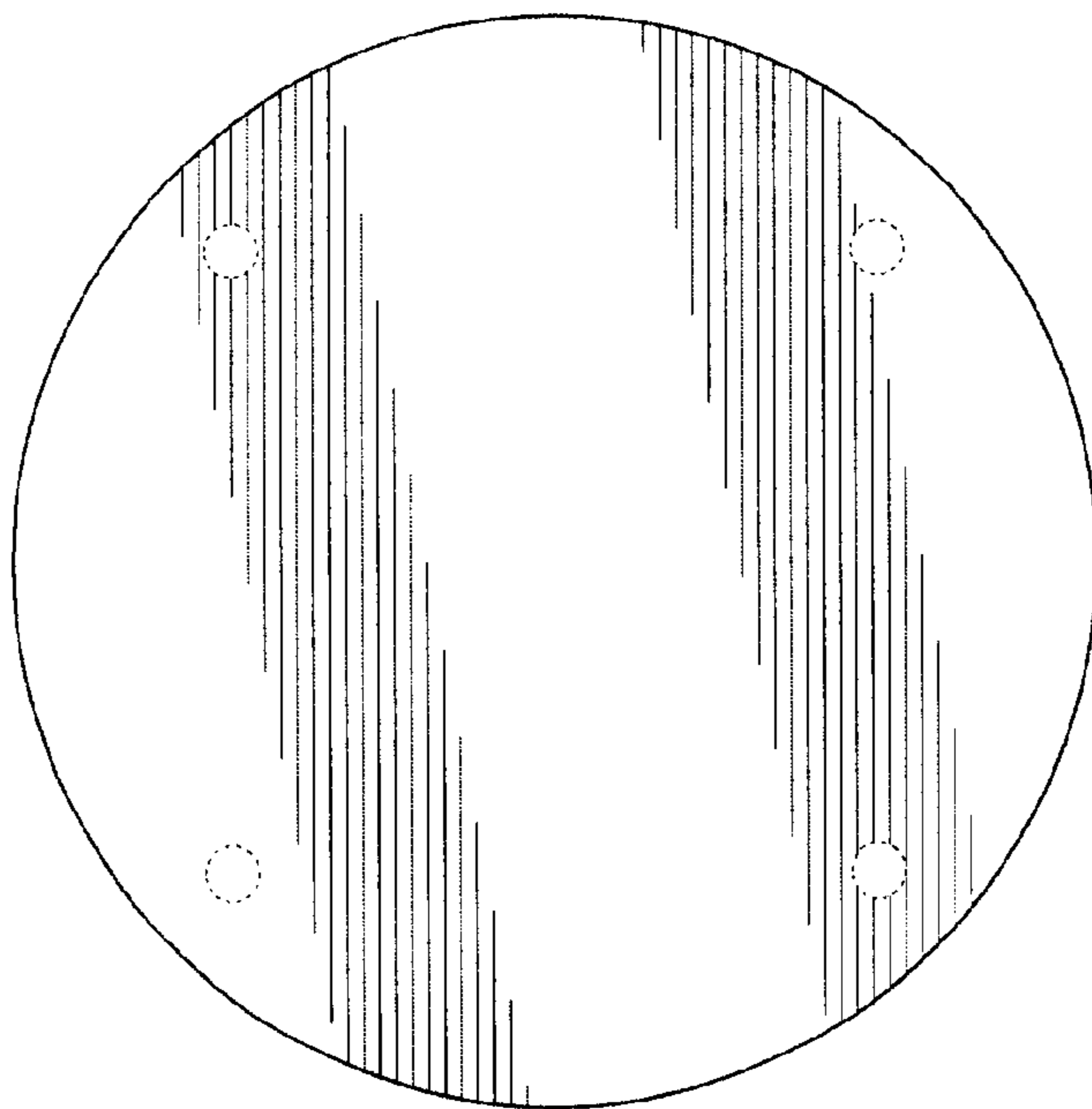


FIG. 5