



US00D484330S

(12) **United States Design Patent**  
**Hayes**

(10) **Patent No.:** **US D484,330 S**

(45) **Date of Patent:** **\*\* Dec. 30, 2003**

(54) **PLANT STAND DISPLAY RACK**

(75) **Inventor:** **Stephen William Hayes, Goddard, KS (US)**

(73) **Assignee:** **The Hayes Company, Inc., Valley Center, KS (US)**

(\*\*) **Term:** **14 Years**

(21) **Appl. No.:** **29/177,007**

(22) **Filed:** **Mar. 3, 2003**

(51) **LOC (7) Cl.** ..... **06-04**

(52) **U.S. Cl.** ..... **D6/403**

(58) **Field of Search** ..... D6/403, 404, 405,  
D6/556, 557, 558, 462-468; D11/143; 47/44,  
45, 46, 47, 39; 248/27.8, 175; 206/423;  
211/37, 85.23, 85.31

(56) **References Cited**

**U.S. PATENT DOCUMENTS**

3,587,865	A	*	6/1971	Phillips	.....	211/37
D260,466	S	*	9/1981	Butcher et al.	.....	D6/465
D270,216	S	*	8/1983	Kusner	.....	D6/465
4,463,853	A	*	8/1984	Licari et al.	.....	211/37
4,915,238	A	*	4/1990	Cassel	.....	211/37
D318,196	S	*	7/1991	Sheng	.....	D6/462
D324,142	S	*	2/1992	Cassel	.....	D6/462

D384,224 S \* 9/1997 Dickinson et al. .... D6/463  
D457,353 S \* 5/2002 Klein et al. .... D6/467

\* cited by examiner

*Primary Examiner*—Doris V. Coles

*Assistant Examiner*—Mimosa De

(74) *Attorney, Agent, or Firm*—Robert Blinn

(57) **CLAIM**

The ornamental design for a plant stand display rack, as shown and described.

**DESCRIPTION**

FIG. 1 is a perspective view of the plant stand display rack of the present invention showing my new design.

FIG. 2 is a front view of the plant stand display rack of the present invention showing my new design.

FIG. 3 is a rear view of the plant stand display rack of the present invention showing my new design.

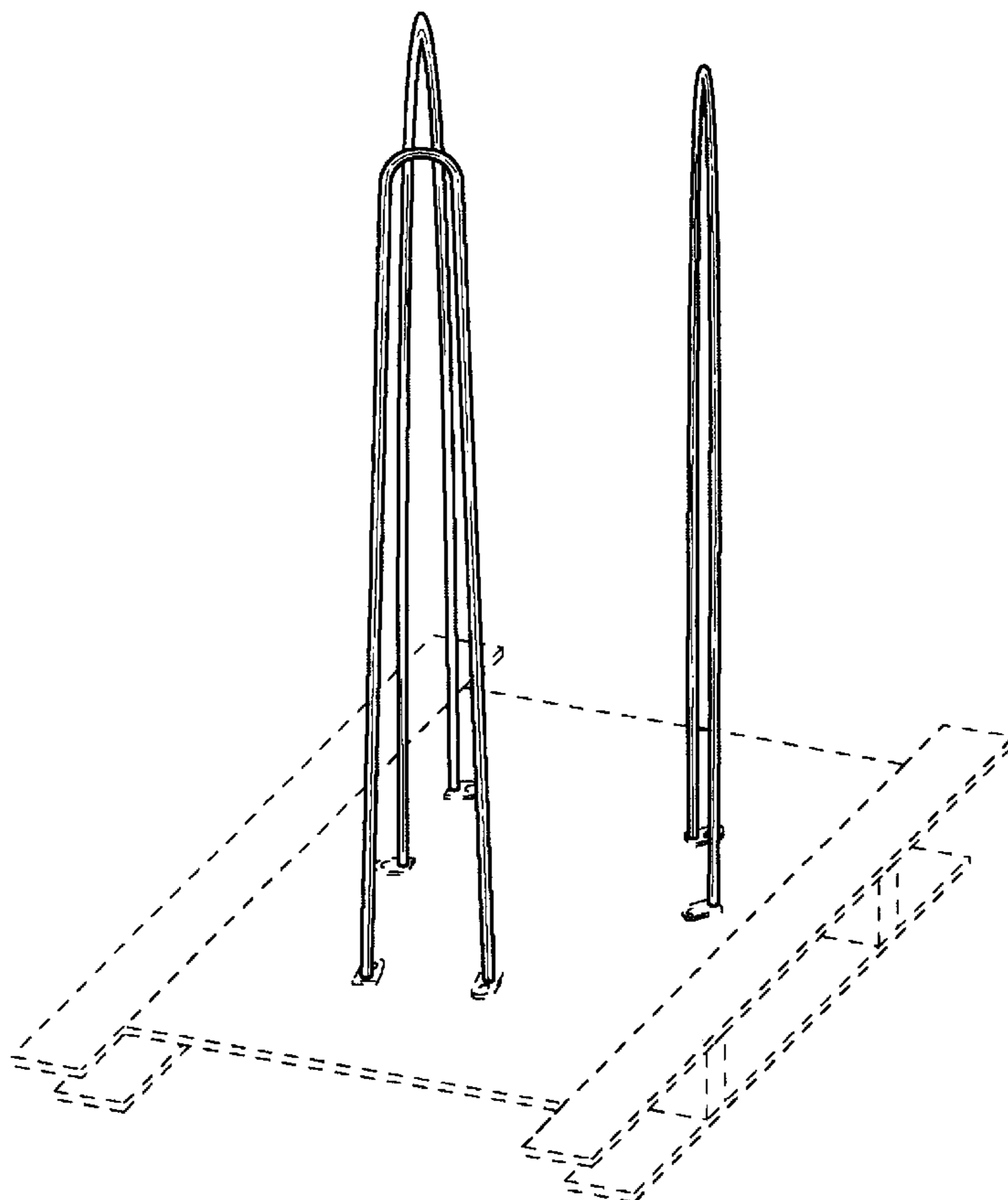
FIG. 4 is a right side view of the plant stand display rack of the present invention showing my new design.

FIG. 5 is a left side view of the plant stand display rack of the present invention showing my new design; and,

FIG. 6 is a top view of the plant stand display rack of the present invention showing my new design.

The broken lines are for illustrative purposes only and form no part of the claimed design.

**1 Claim, 4 Drawing Sheets**



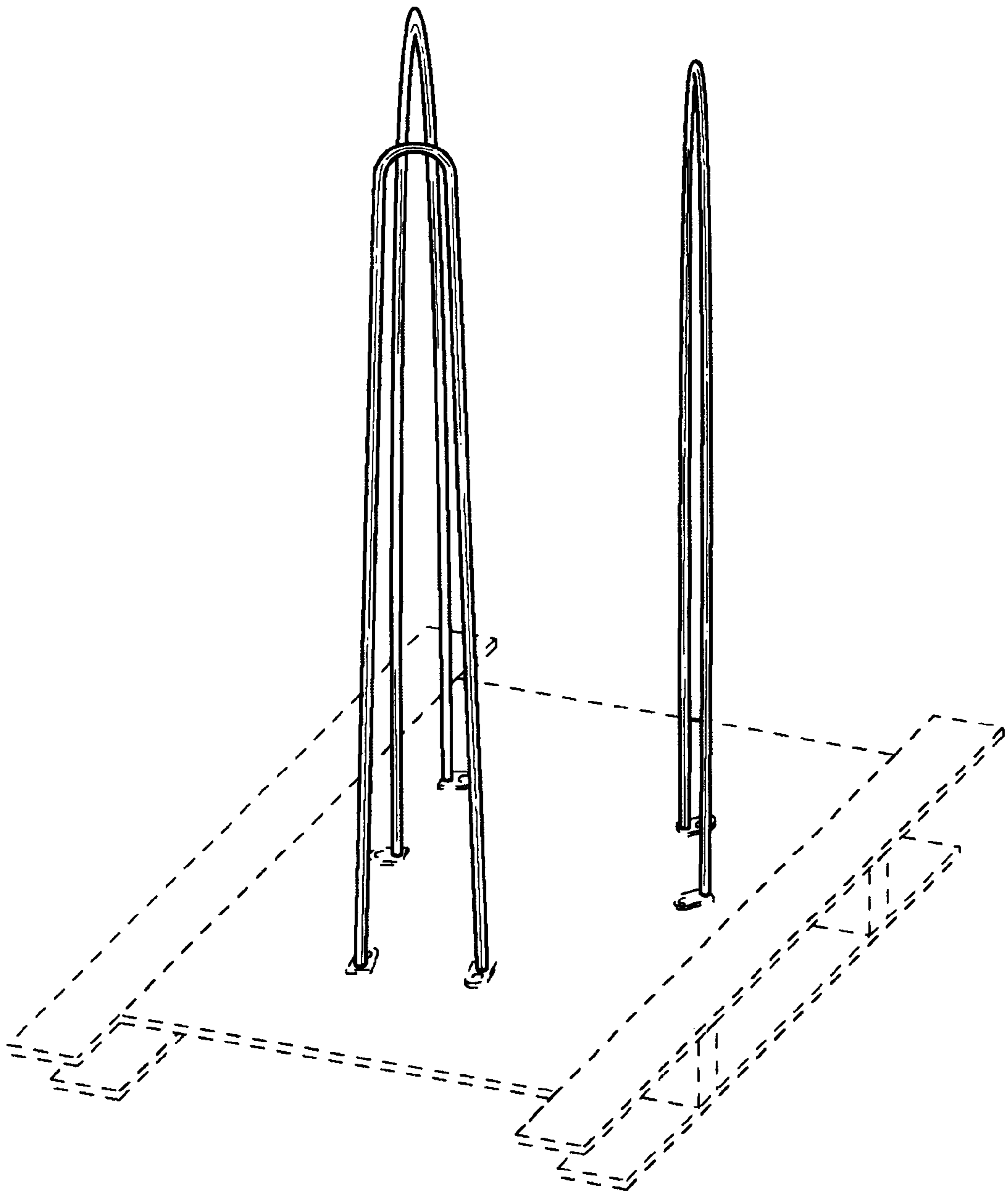


FIG. 1

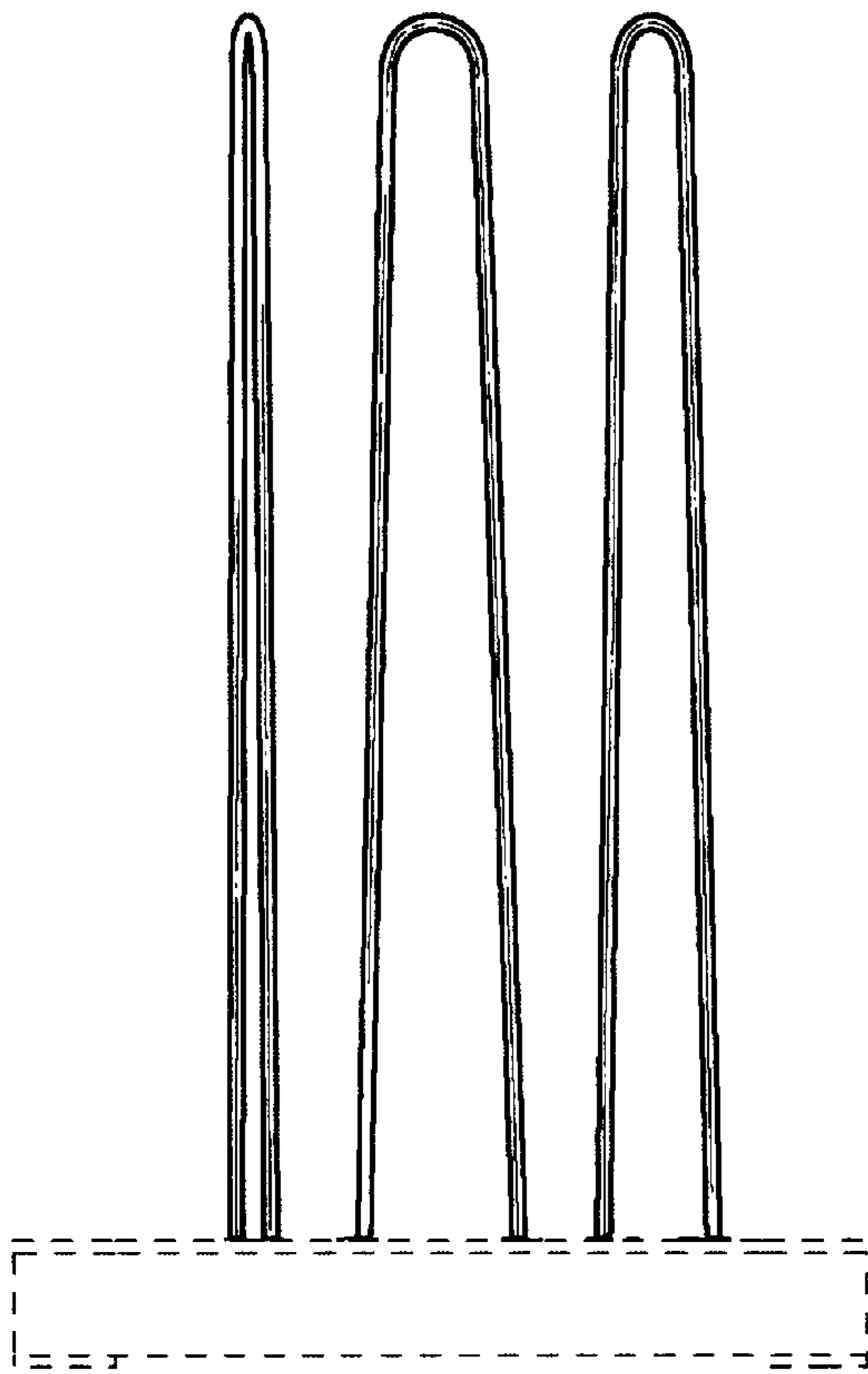


FIG. 2

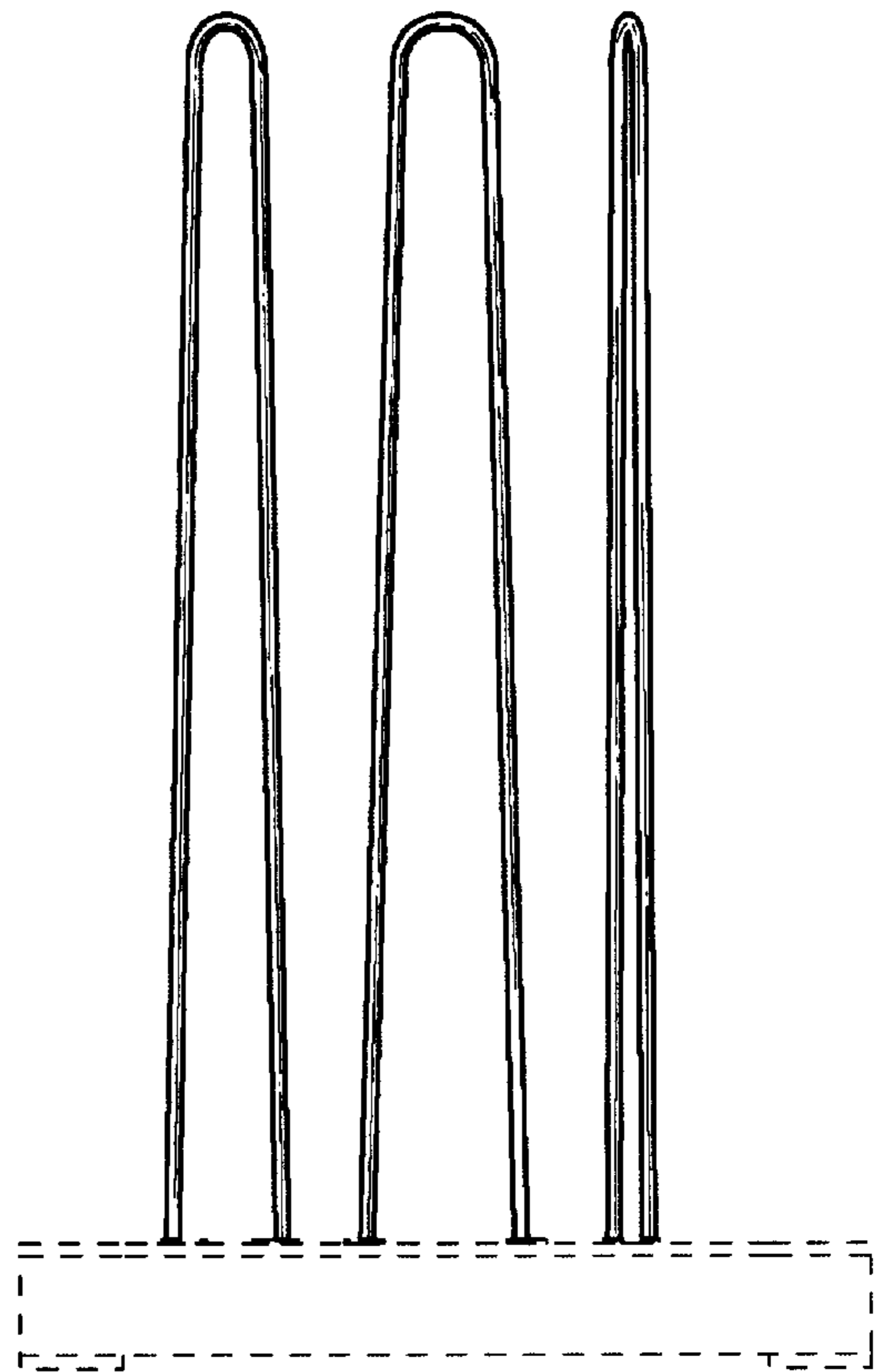


FIG. 3

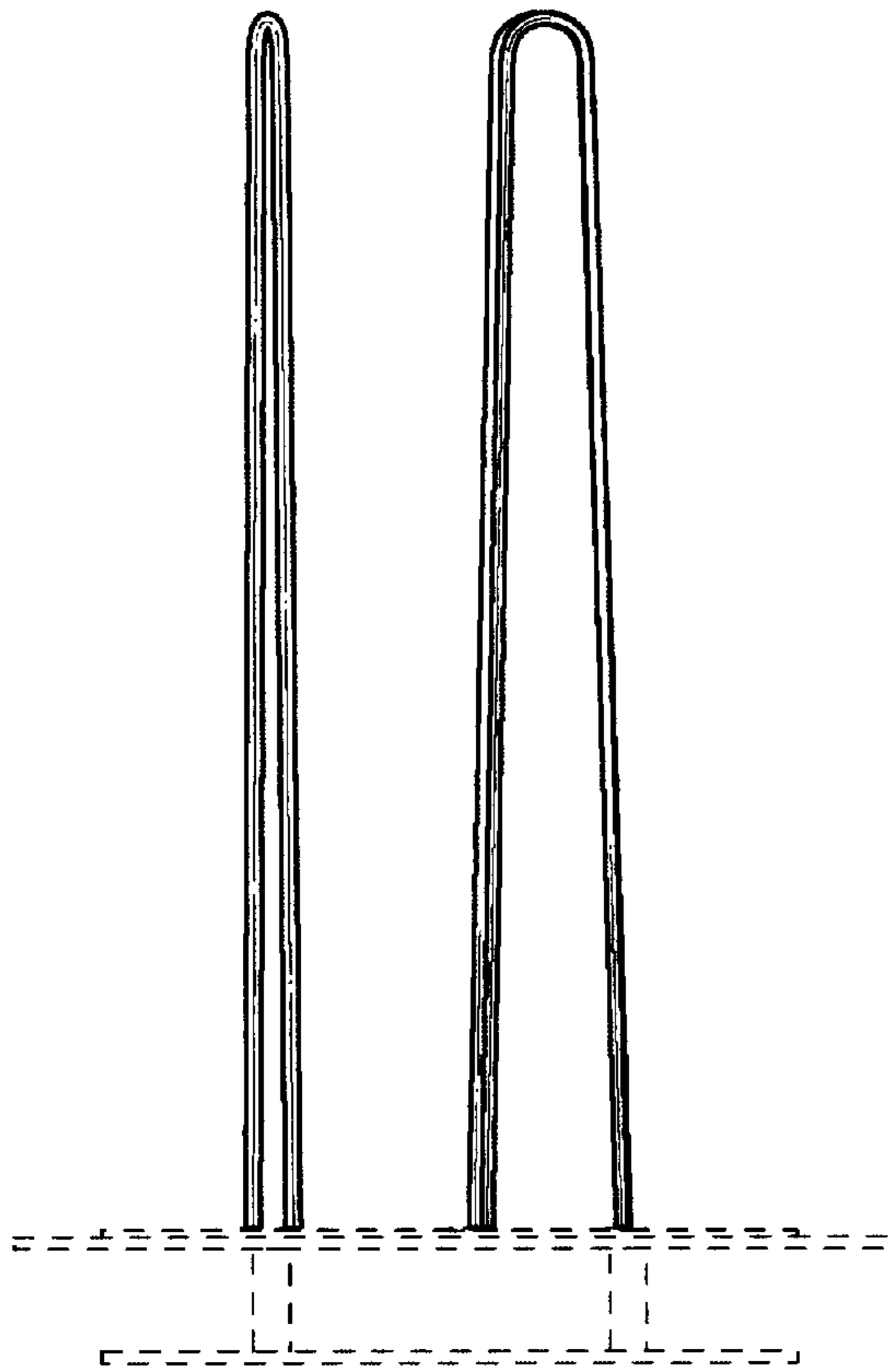


FIG. 4

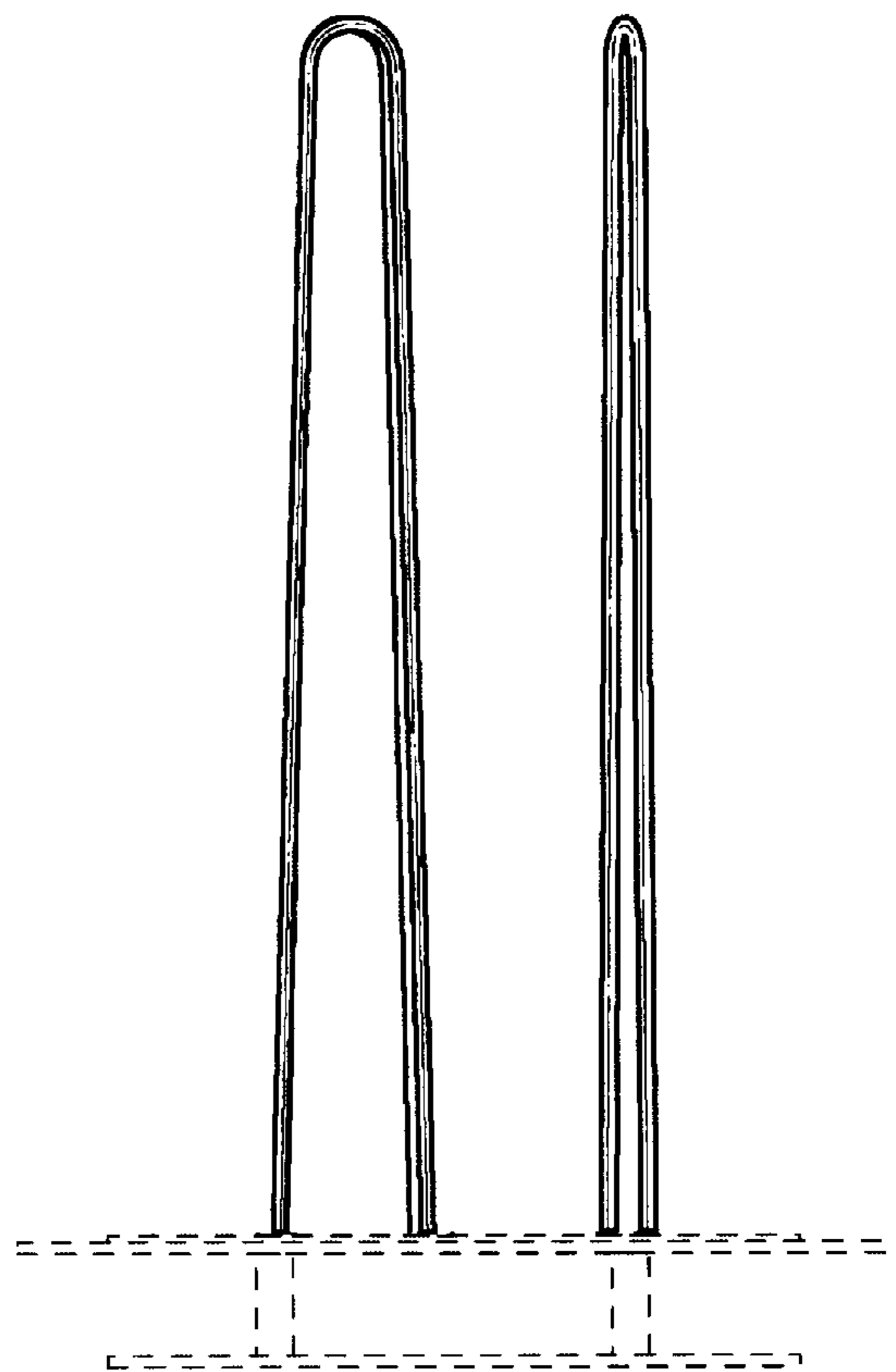


FIG. 5

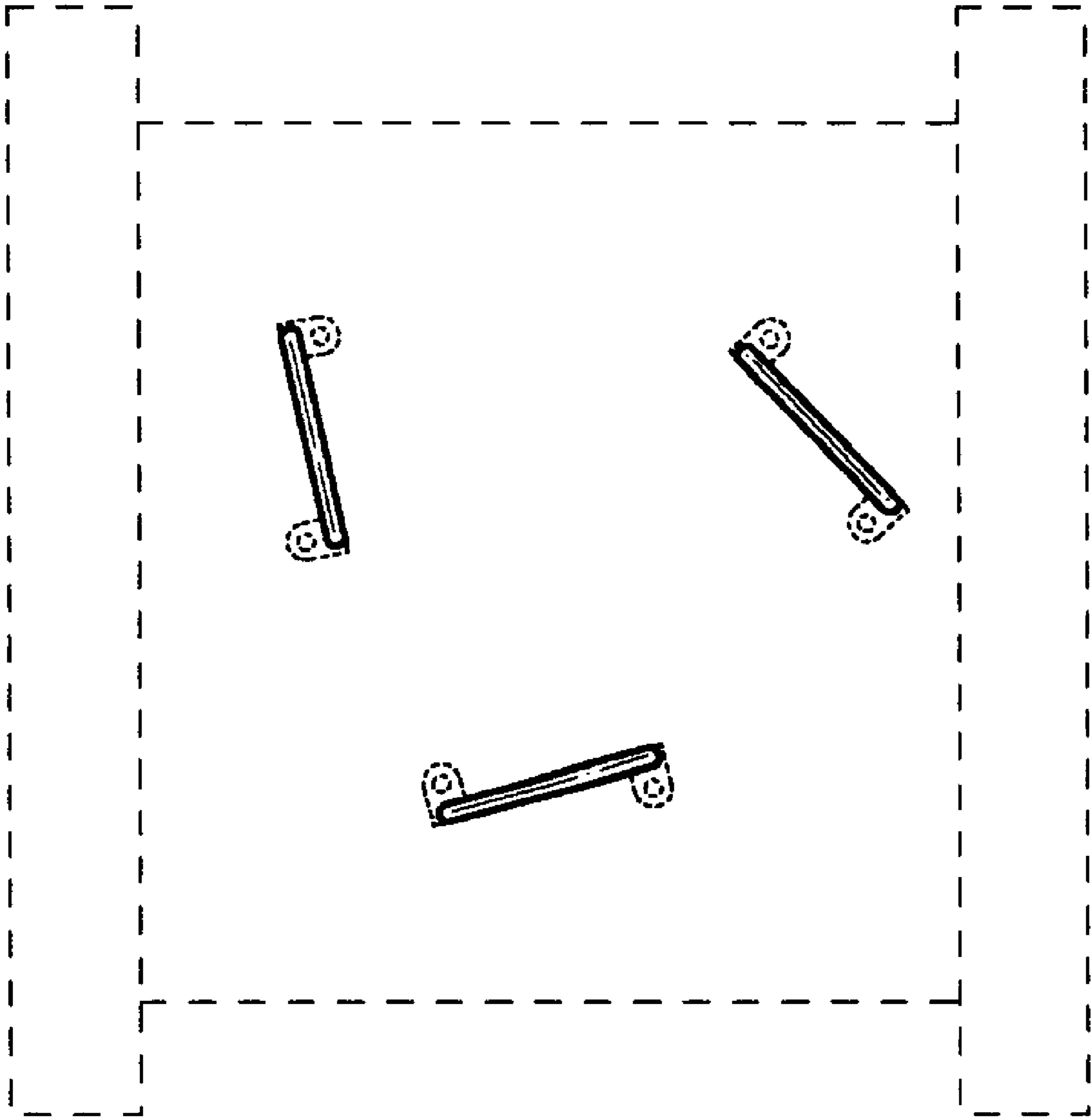


FIG.6