



US00D484326S

(12) **United States Design Patent**  
**Roberts**

(10) **Patent No.:** **US D484,326 S**

(45) **Date of Patent:** **\*\* Dec. 30, 2003**

(54) **CLUB CHAIR**

(76) **Inventor:** **Victoria P. Roberts**, 3 Nelson Ave.,  
Norwalk, CT (US) 06851

(\*\*) **Term:** **14 Years**

(21) **Appl. No.:** **29/173,332**

(22) **Filed:** **Dec. 26, 2002**

(51) **LOC (7) Cl.** ..... **06-01**

(52) **U.S. Cl.** ..... **D6/379; D6/380**

(58) **Field of Search** ..... **D6/334, 335, 370,**  
**D6/379, 380, 500, 501, 502; 297/445.1,**  
**446.1**

(56) **References Cited**

**U.S. PATENT DOCUMENTS**

D336,792 S	*	6/1993	White, Jr.	.....	D6/379
D363,385 S	*	10/1995	Martin	.....	D6/379
D410,803 S	*	6/1999	Kreiss	.....	D6/379
D453,426 S	*	2/2002	Juhasz	.....	D6/379
D473,392 S	*	4/2003	Vaaler	.....	D6/379

\* cited by examiner

*Primary Examiner*—Gary D. Watson

(74) *Attorney, Agent, or Firm*—William J. Sapone; R. Neil Sudol; Henry D. Coleman

(57) **CLAIM**

The ornamental design for a club chair, as shown and described.

**DESCRIPTION**

FIG. 1 is a front perspective view of the club chair showing my new design;

FIG. 2 is a right side view thereof, the left side view being a mirror image thereof;

FIG. 3 is a front view thereof;

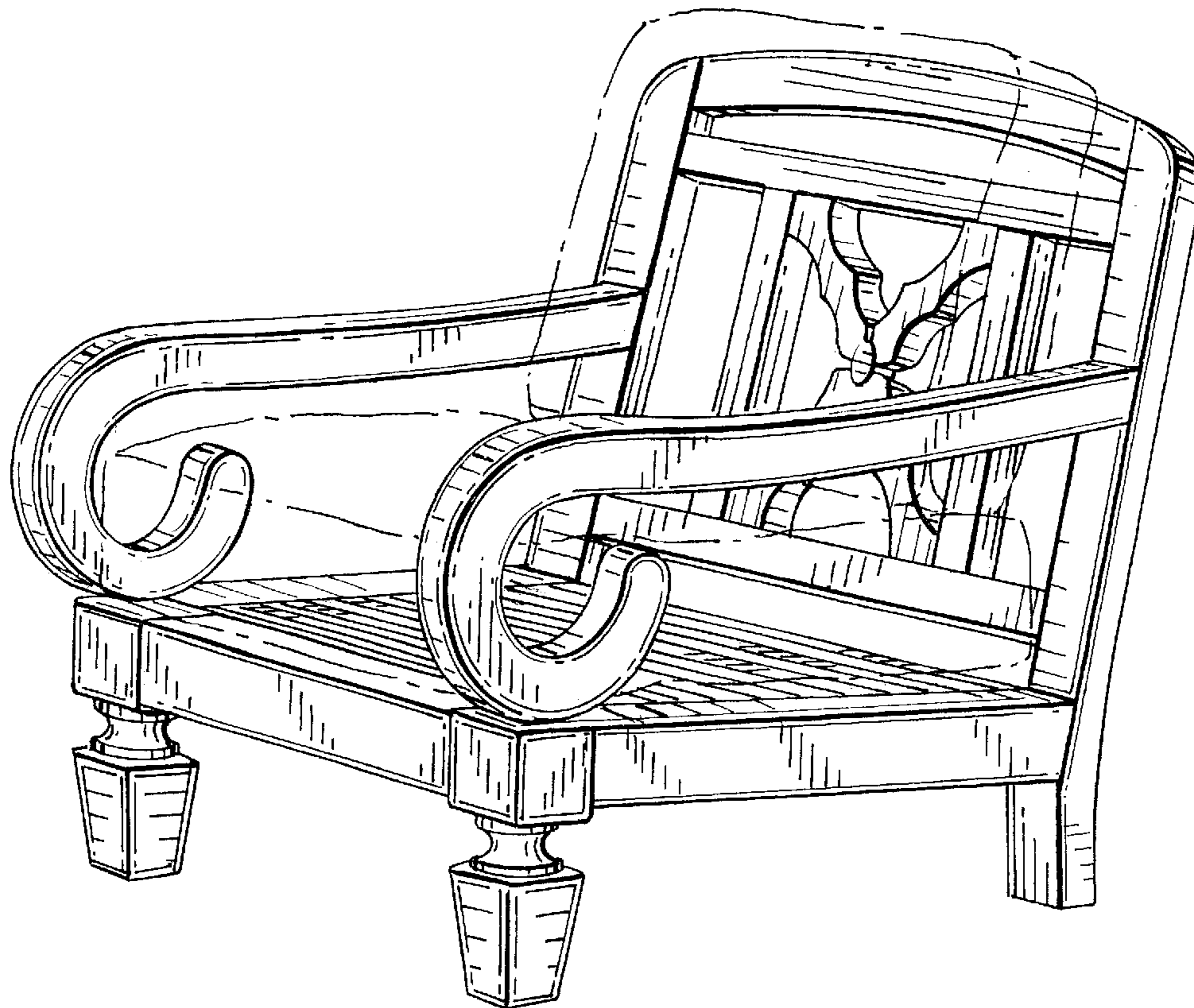
FIG. 4 is a rear view thereof;

FIG. 5 is a top view thereof; and,

FIG. 6 is a bottom view thereof.

The broken lines showing seat and backrest cushions are for illustrative purposes only and form no part of the claimed design.

**1 Claim, 6 Drawing Sheets**



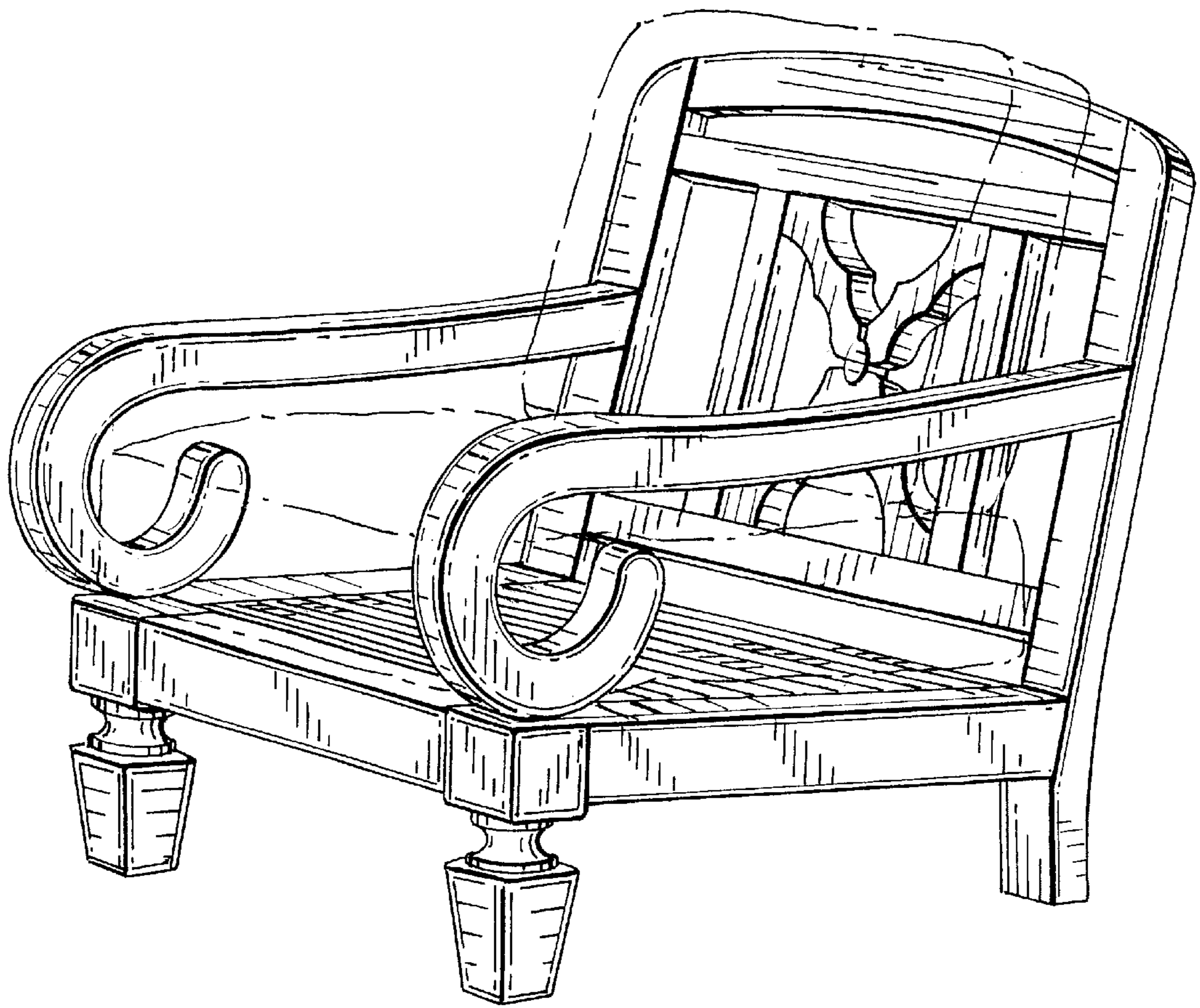


FIG. 1

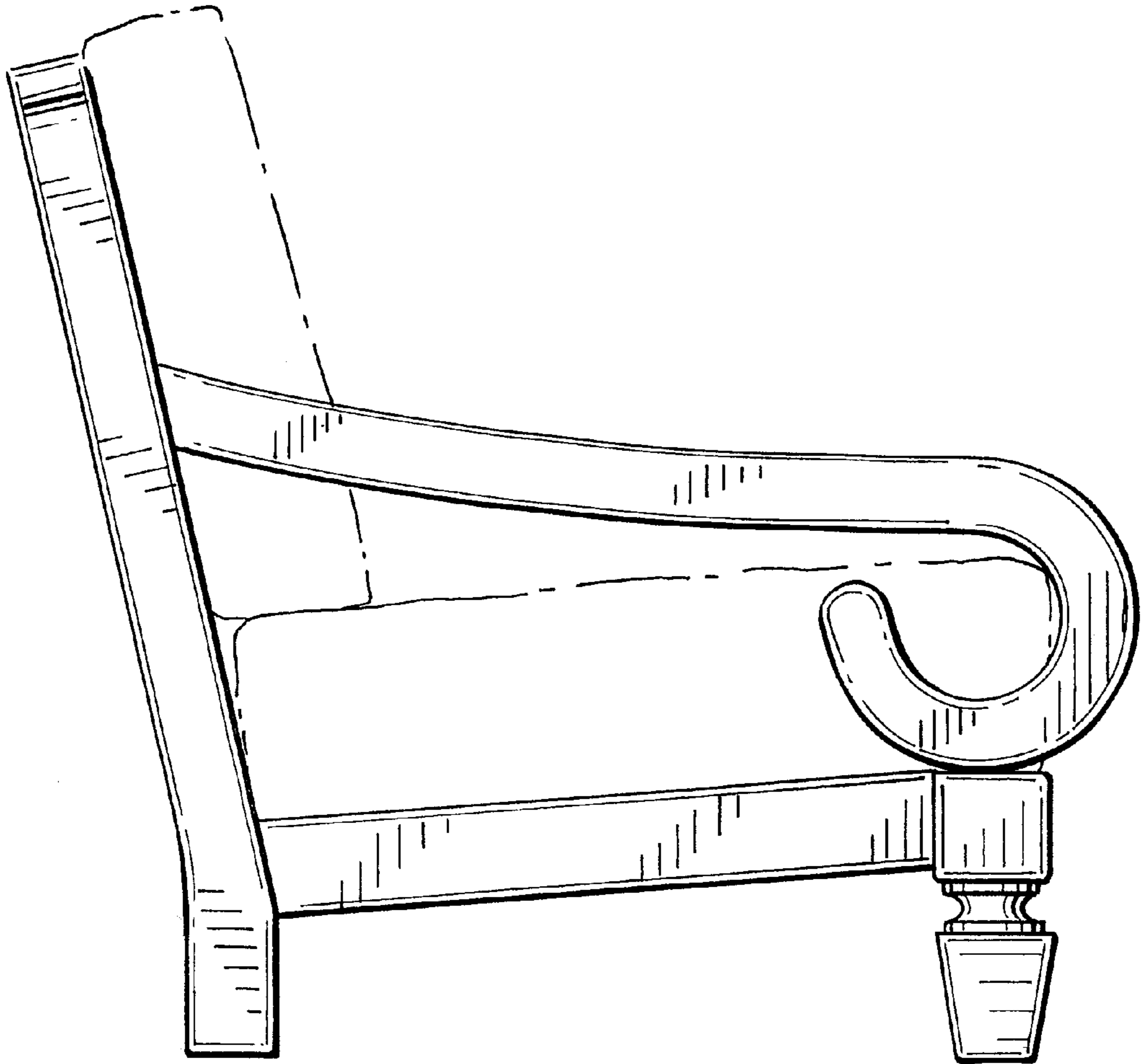


FIG. 2

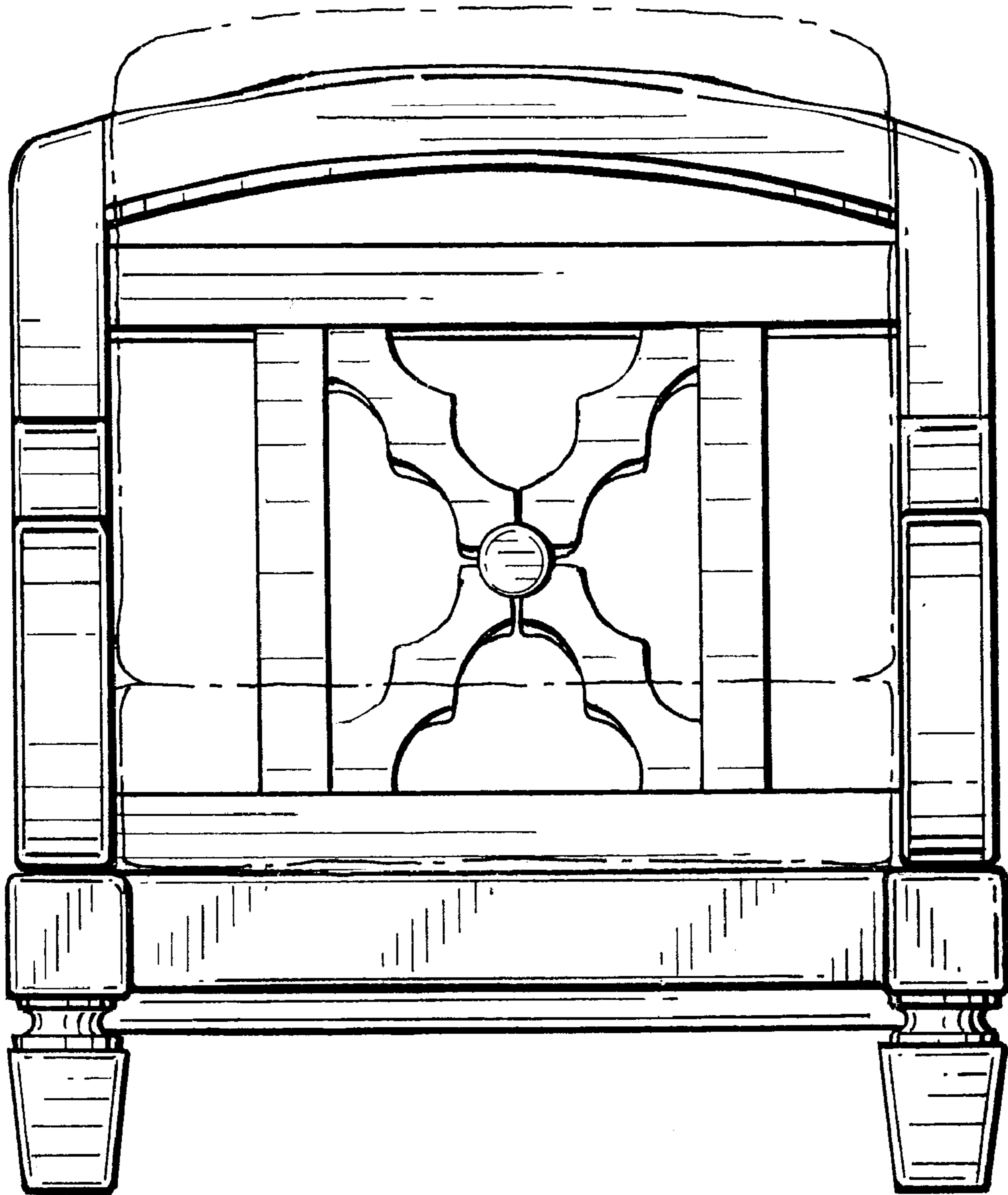


FIG. 3

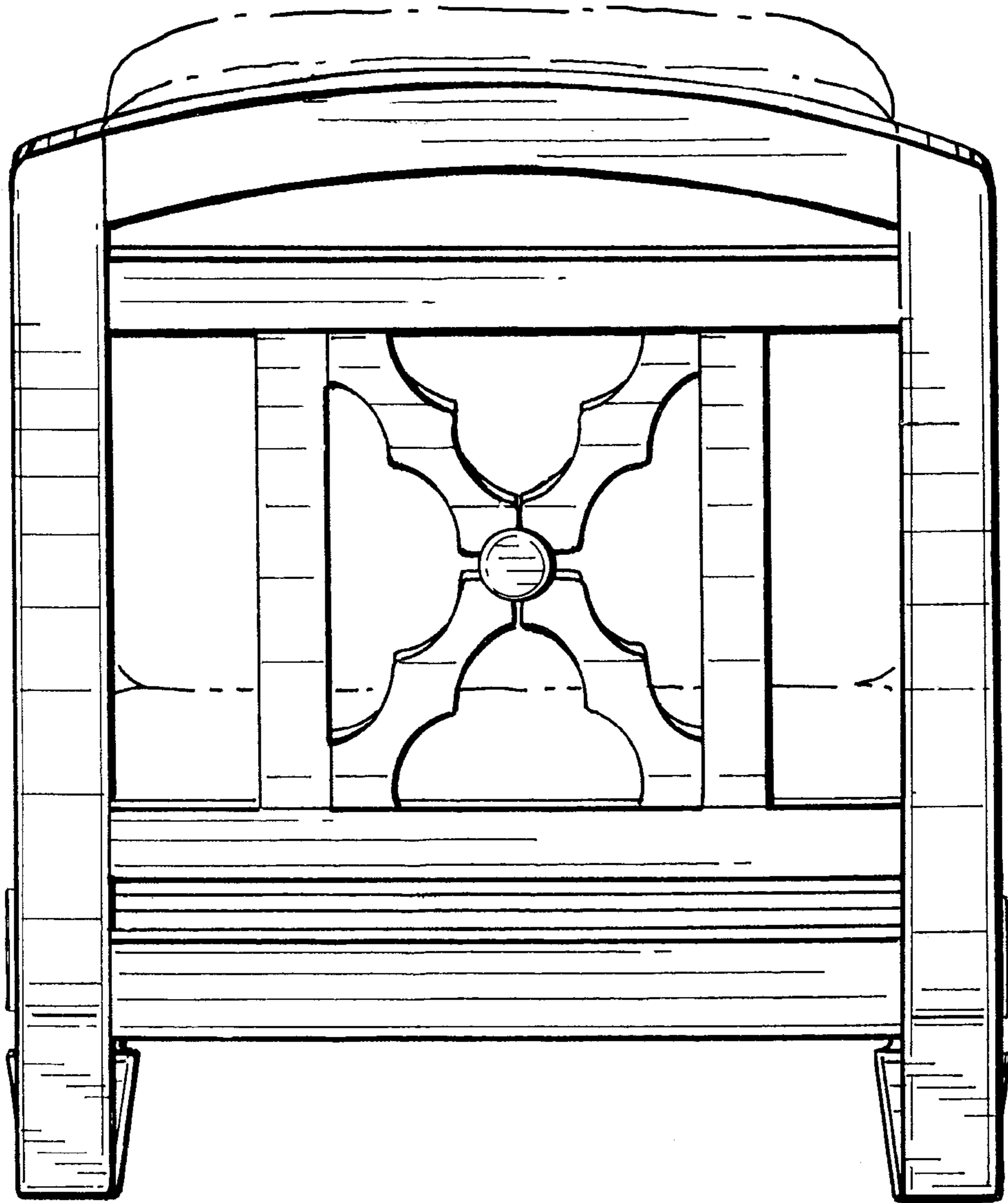


FIG. 4

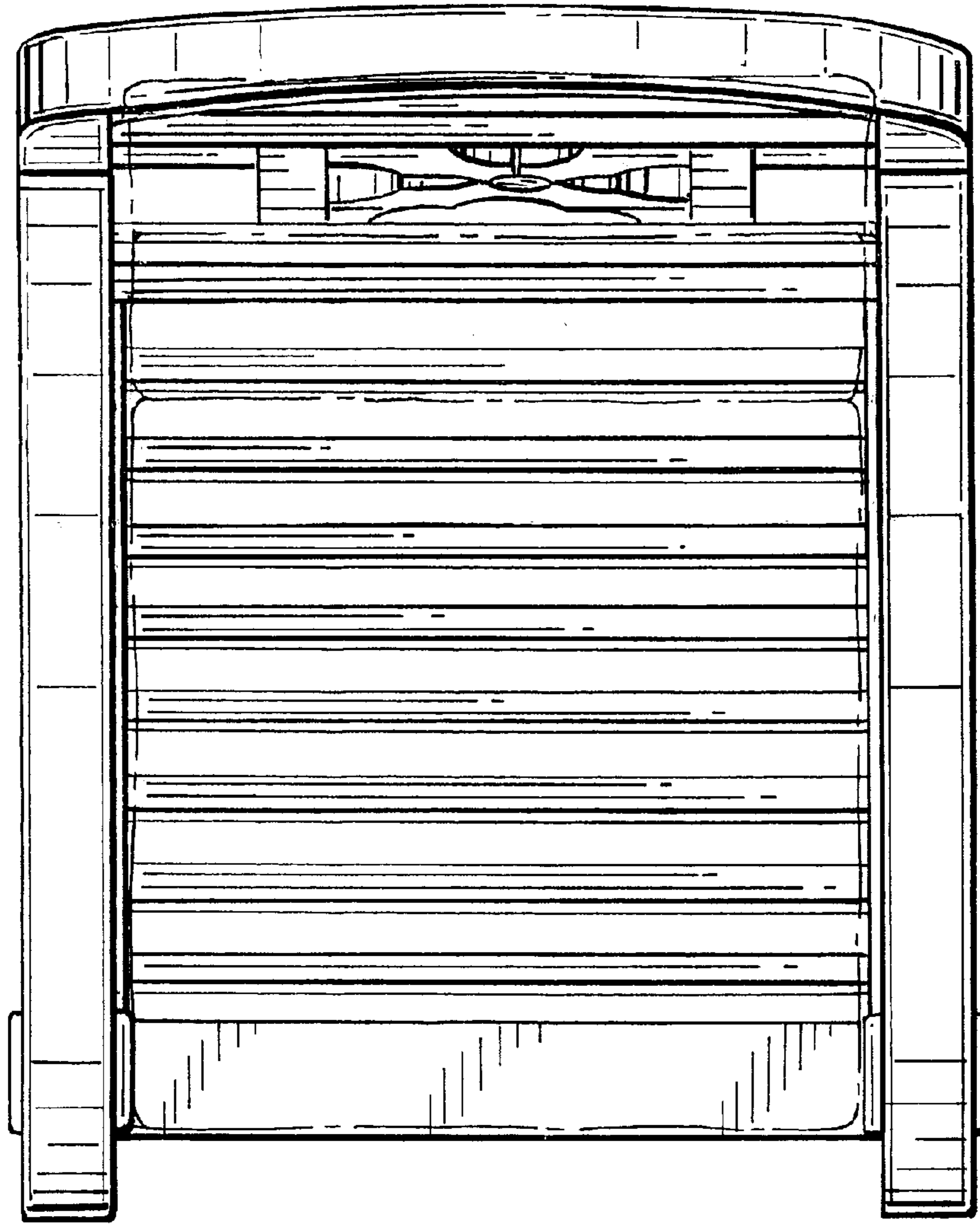


FIG. 5

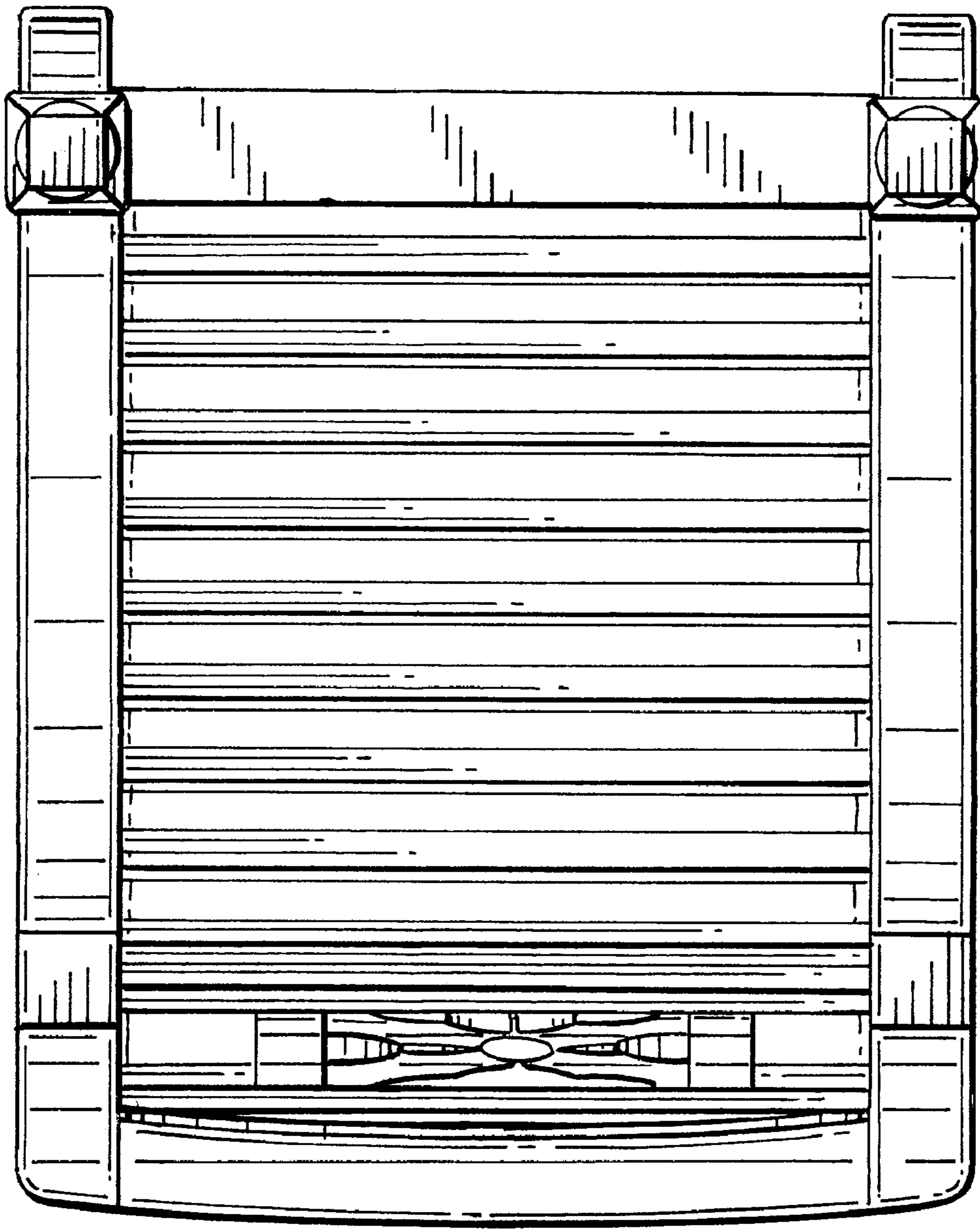


FIG. 6