



US00D484309S

(12) **United States Design Patent**
Lee

(10) **Patent No.:** **US D484,309 S**

(45) **Date of Patent:** **** Dec. 30, 2003**

(54) **TOOL BOX**

(76) **Inventor:** **Pei-Ling Lee**, 11F-2, No.43, Chai-I Street, Taichung City (TW)

(**) **Term:** **14 Years**

(21) **Appl. No.:** **29/176,350**

(22) **Filed:** **Feb. 20, 2003**

(51) **LOC (7) Cl.** **03-01**

(52) **U.S. Cl.** **D3/282; D3/905**

(58) **Field of Search** D3/273, 276, 281, D3/282, 274, 294, 295, 905; 206/349, 372, 373, 379; 190/100, 110

(56) **References Cited**

U.S. PATENT DOCUMENTS

D343,063 S	*	1/1994	Chen	D3/282
D347,731 S	*	6/1994	Hayakawa et al.	D3/282
5,394,966 A	*	3/1995	Chow	190/119
D358,257 S	*	5/1995	Sidabras et al.	D3/282
D399,652 S	*	10/1998	Fang	D3/282

D406,192 S	*	3/1999	Schurman	D3/282
D412,397 S	*	8/1999	Liu	D3/282
D413,440 S	*	9/1999	Schurman	D3/282
D440,043 S	*	4/2001	Miller et al.	D3/282

* cited by examiner

Primary Examiner—Philip S. Hyder

(74) *Attorney, Agent, or Firm*—Charles E. Baxley

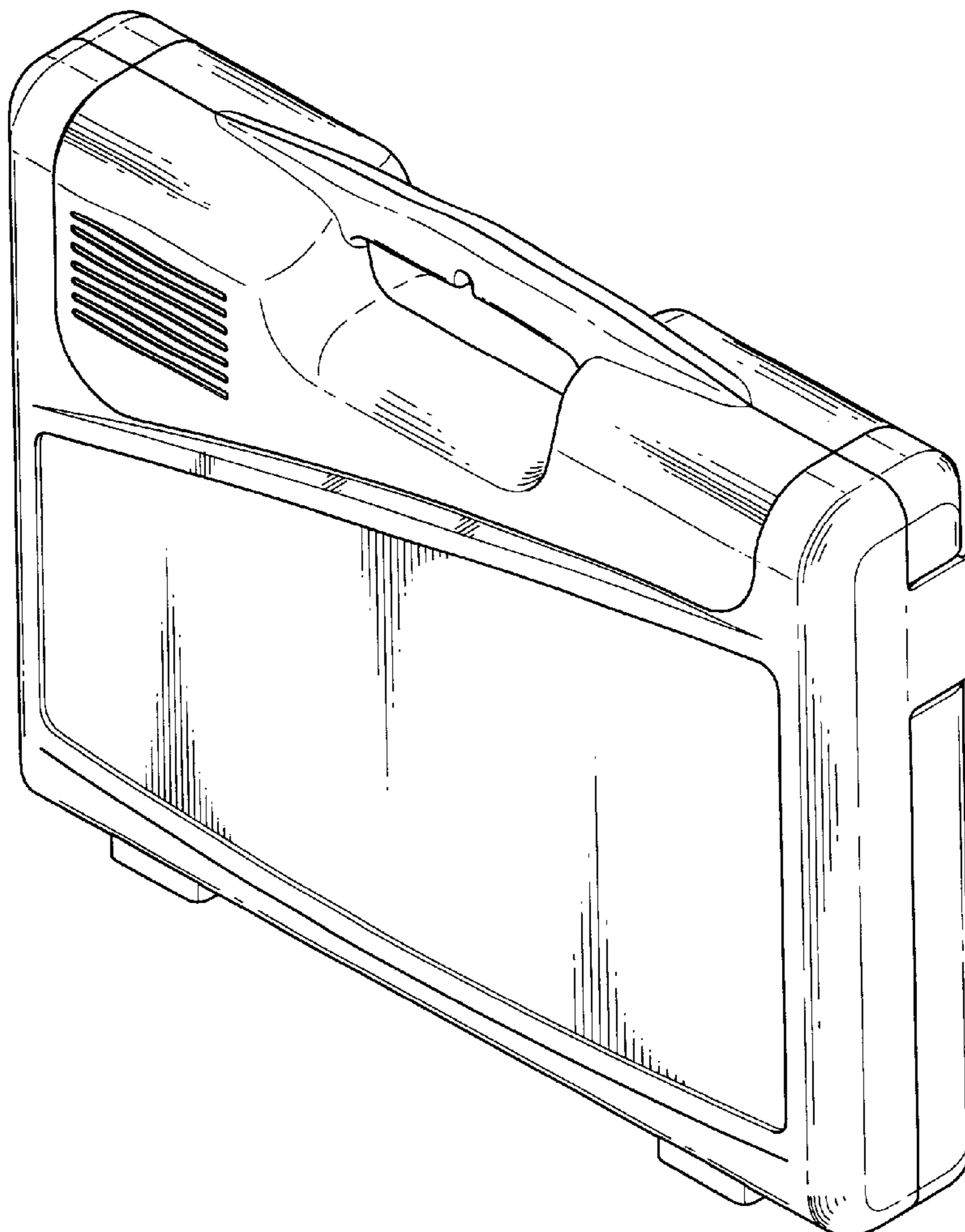
(57) **CLAIM**

The ornamental design for a tool box, as shown and described.

DESCRIPTION

FIG. 1 is a front-right-top perspective view of a tool box, showing my new design;
FIG. 2 is a front elevational view thereof;
FIG. 3 is a rear elevational view thereof;
FIG. 4 is a left elevational view thereof;
FIG. 5 is a right elevational view thereof;
FIG. 6 is a top plan view thereof; and,
FIG. 7 is a bottom plan view thereof.

1 Claim, 3 Drawing Sheets



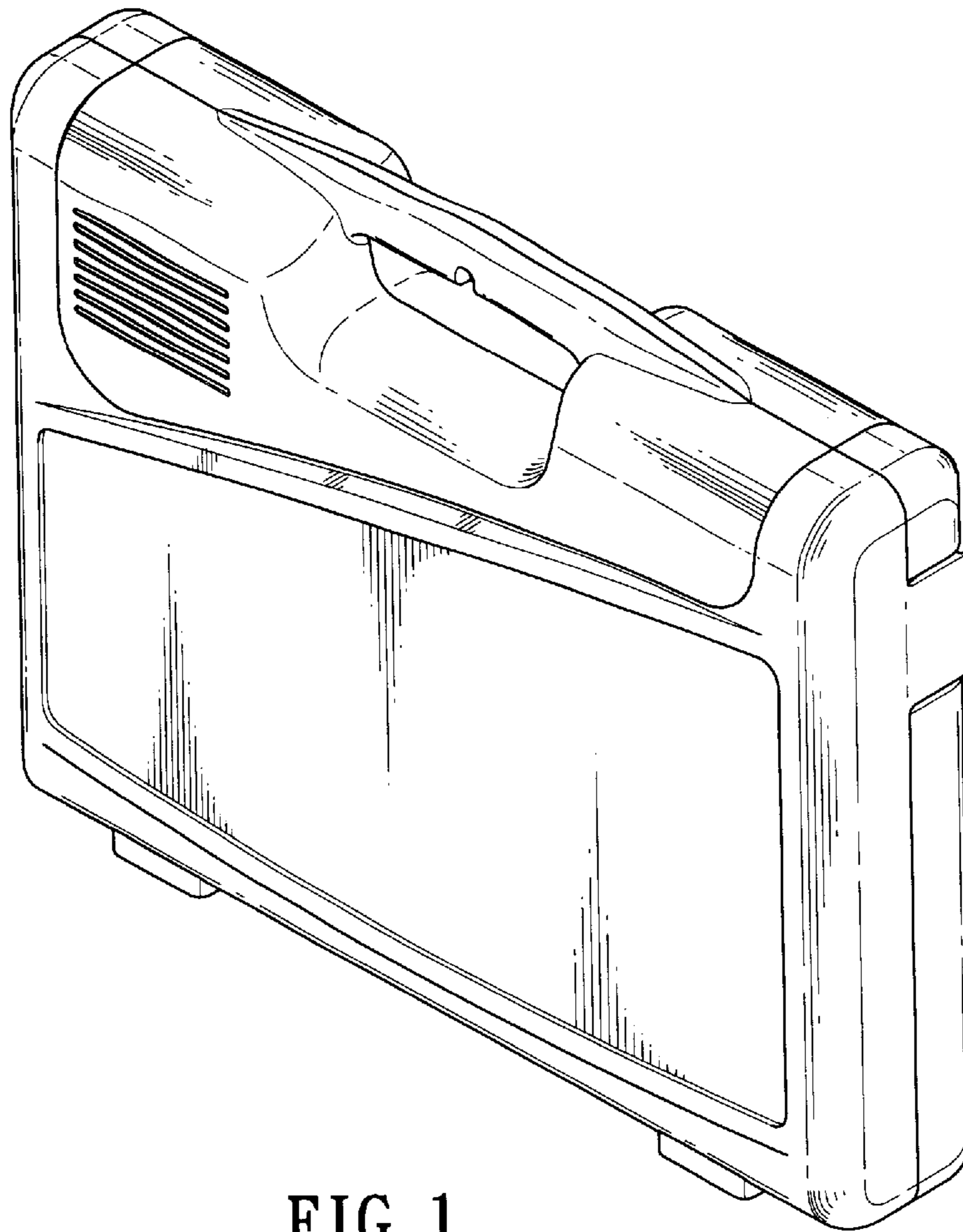


FIG. 1

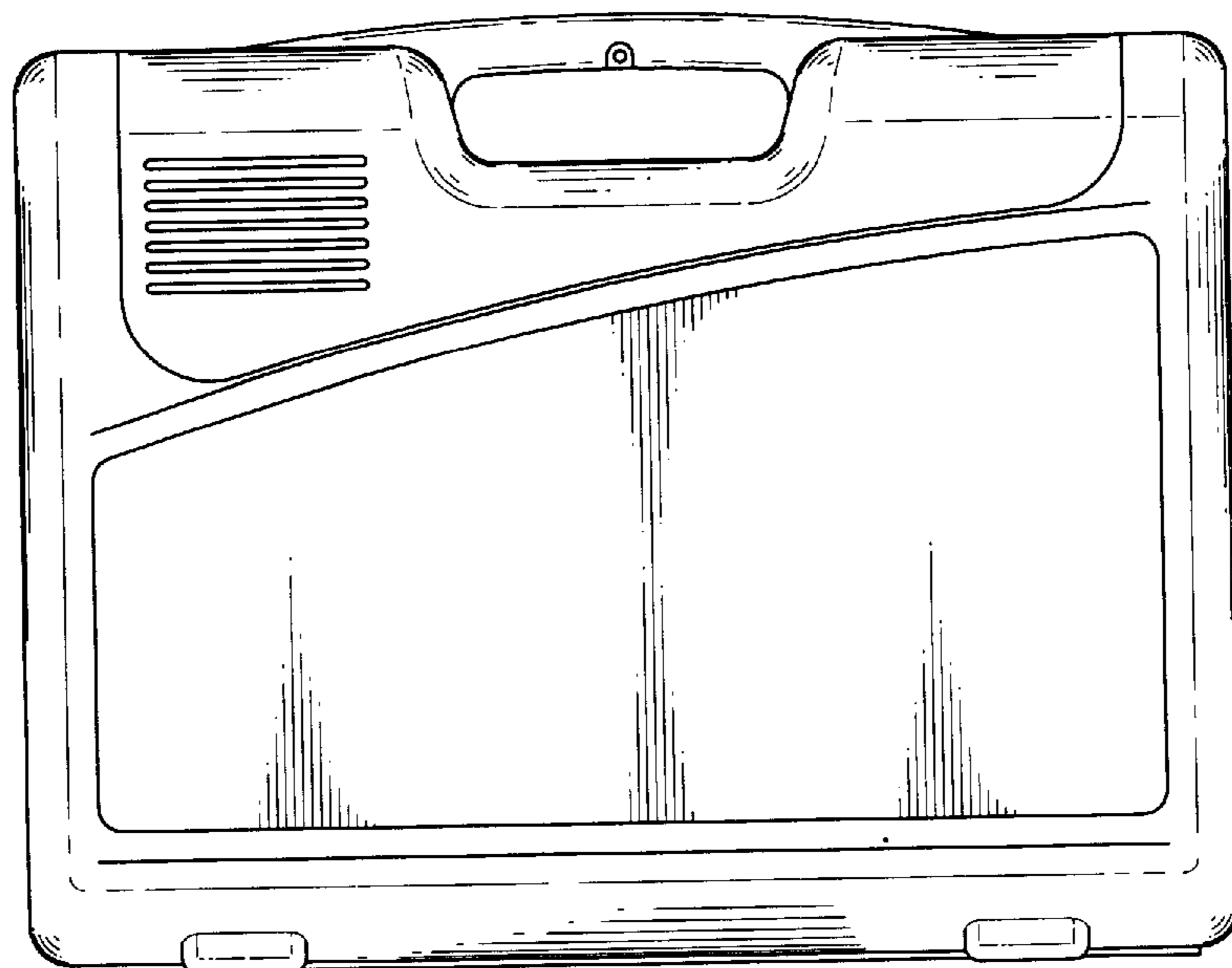


FIG. 2

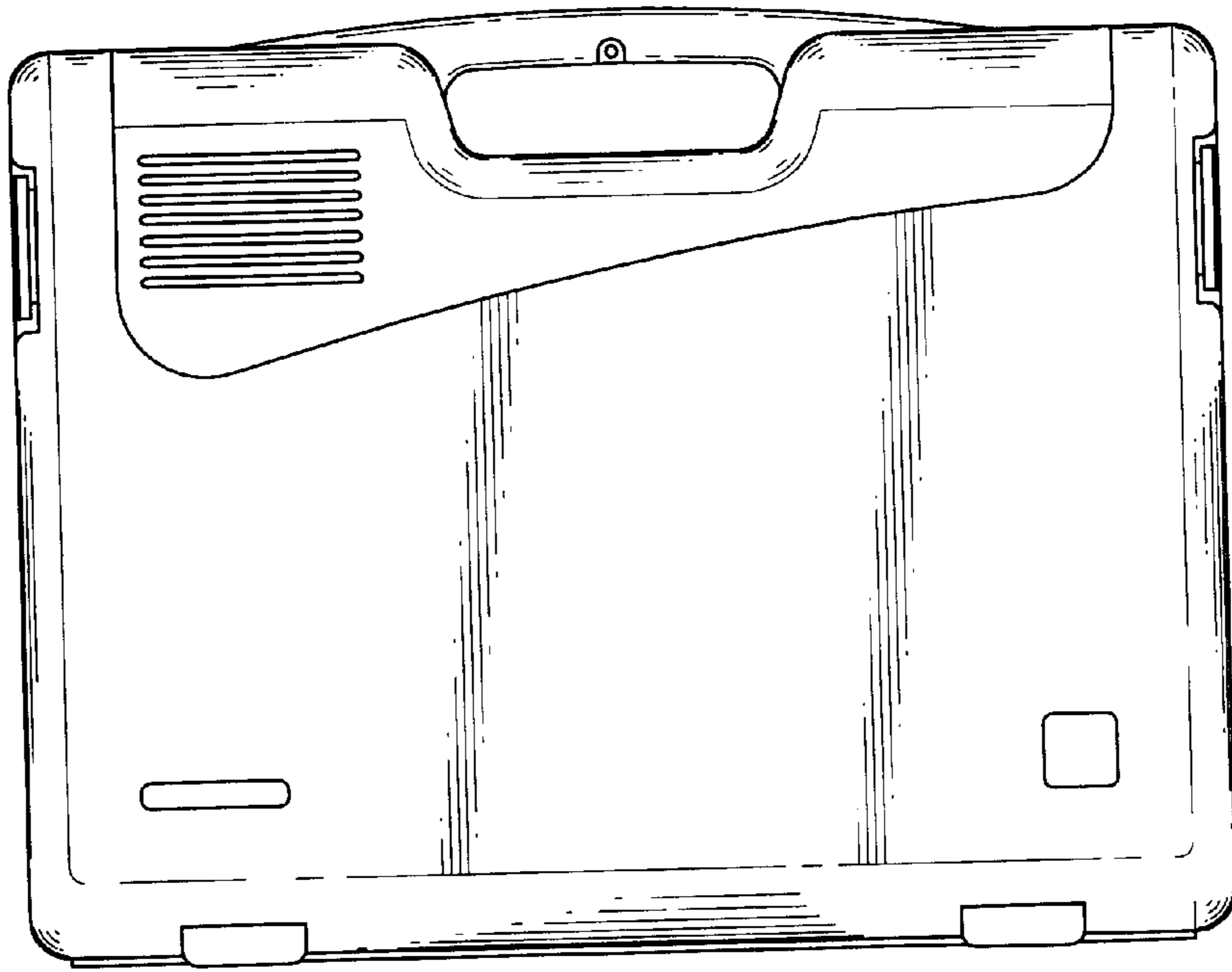


FIG. 3



FIG. 4

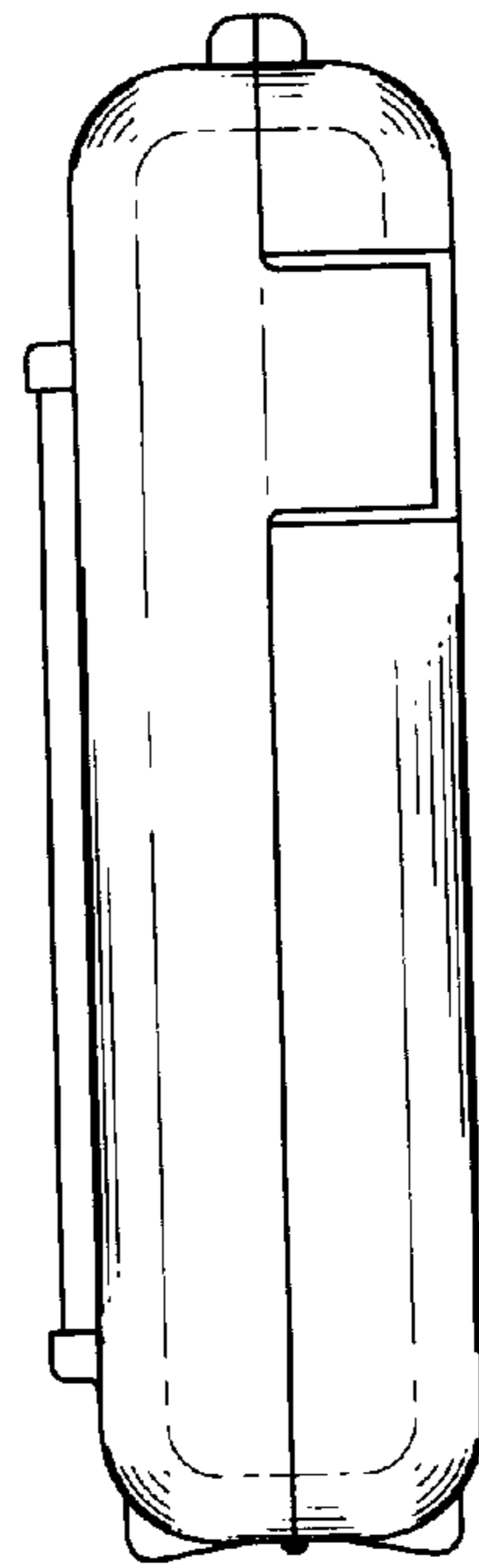


FIG. 5

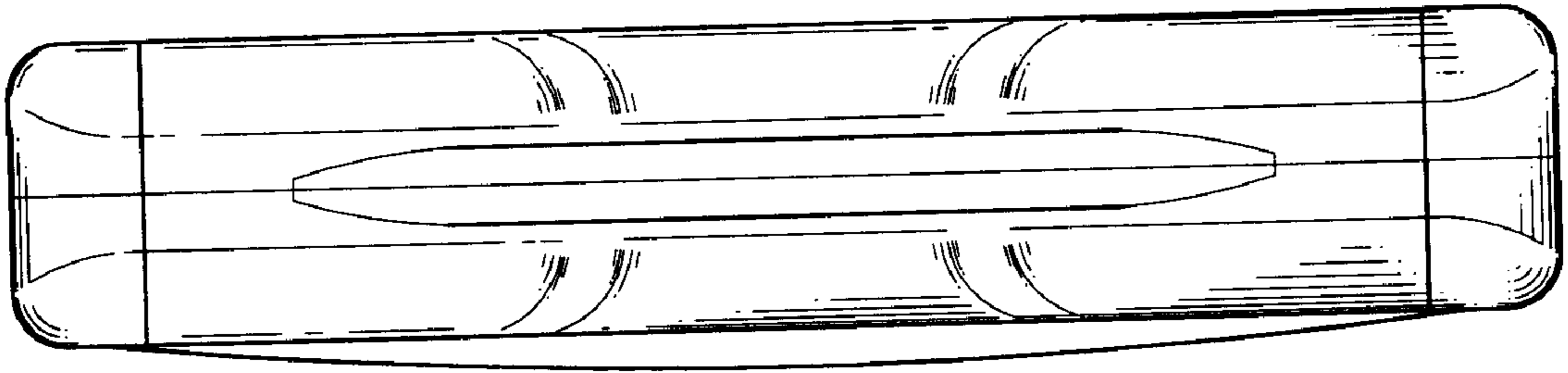


FIG. 6

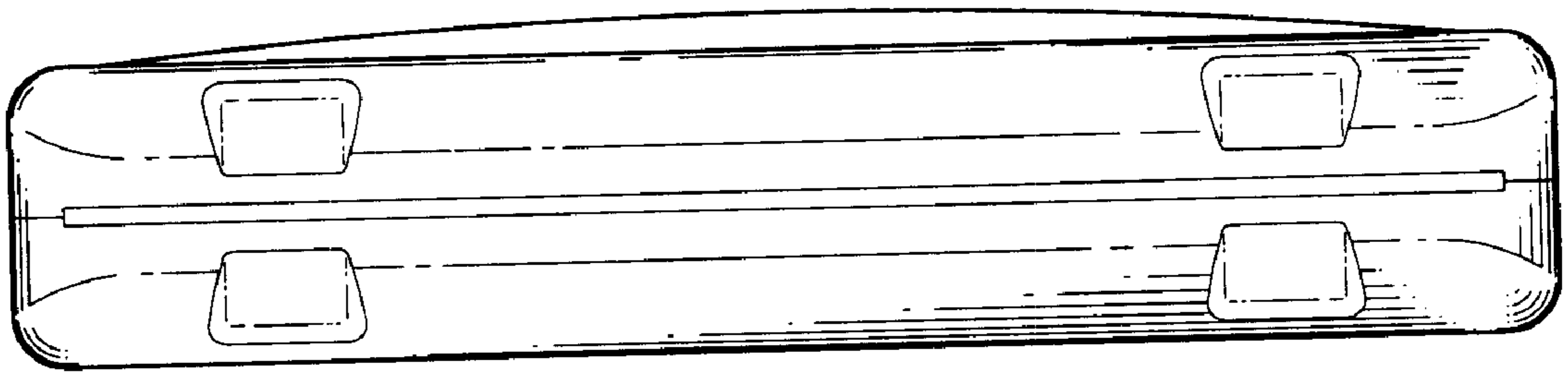


FIG. 7