



US00D484308S

(12) **United States Design Patent**
Solsberry

(10) **Patent No.: US D484,308 S**

(45) **Date of Patent: ** Dec. 30, 2003**

(54) **BEVERAGE HOLDER HAVING SPRING-BIASED CLIP, ENCIRCLING STRAP WITH HOOK-AND LOOP FASTENER, AND PIVOTING SUPPORT PLATFORM**

D370,559 S * 6/1996 Arndt D3/229
D408,991 S * 5/1999 Perez D3/229

* cited by examiner

Primary Examiner—Catherine R. Oliver

(74) *Attorney, Agent, or Firm*—Donald R. Schoonover

(76) **Inventor: Gary G. Solsberry, P.O. Box 145, Crothersville, IN (US) 47229**

(**) **Term: 14 Years**

(57) **CLAIM**

(21) **Appl. No.: 29/177,721**

The ornamental design for a beverage holder having spring-biased clip, encircling strap with hook-and-loop fastener, and pivoting support platform, as shown and described.

(22) **Filed: Mar. 17, 2003**

DESCRIPTION

(51) **LOC (7) Cl. 03-01**

(52) **U.S. Cl. D3/229**

(58) **Field of Search** D3/229, 215, 218, D3/226, 224, 221; D7/620, 619.1, 619.2, 622, 623; 224/148.1–148.6, 901; 248/311.2, 313, 207

FIG. 1 is a perspective view of a beverage holder having spring-biased clip, encircling strap with hook-and-loop fastener, and pivoting support platform showing my new design;

FIG. 2 is a front elevational view thereof;

FIG. 3 is a rear elevational view thereof;

FIG. 4 is a left side elevational view thereof;

FIG. 5 is a right side elevational view thereof;

FIG. 6 is a top plan view thereof;

FIG. 7 is a bottom plan view thereof; and,

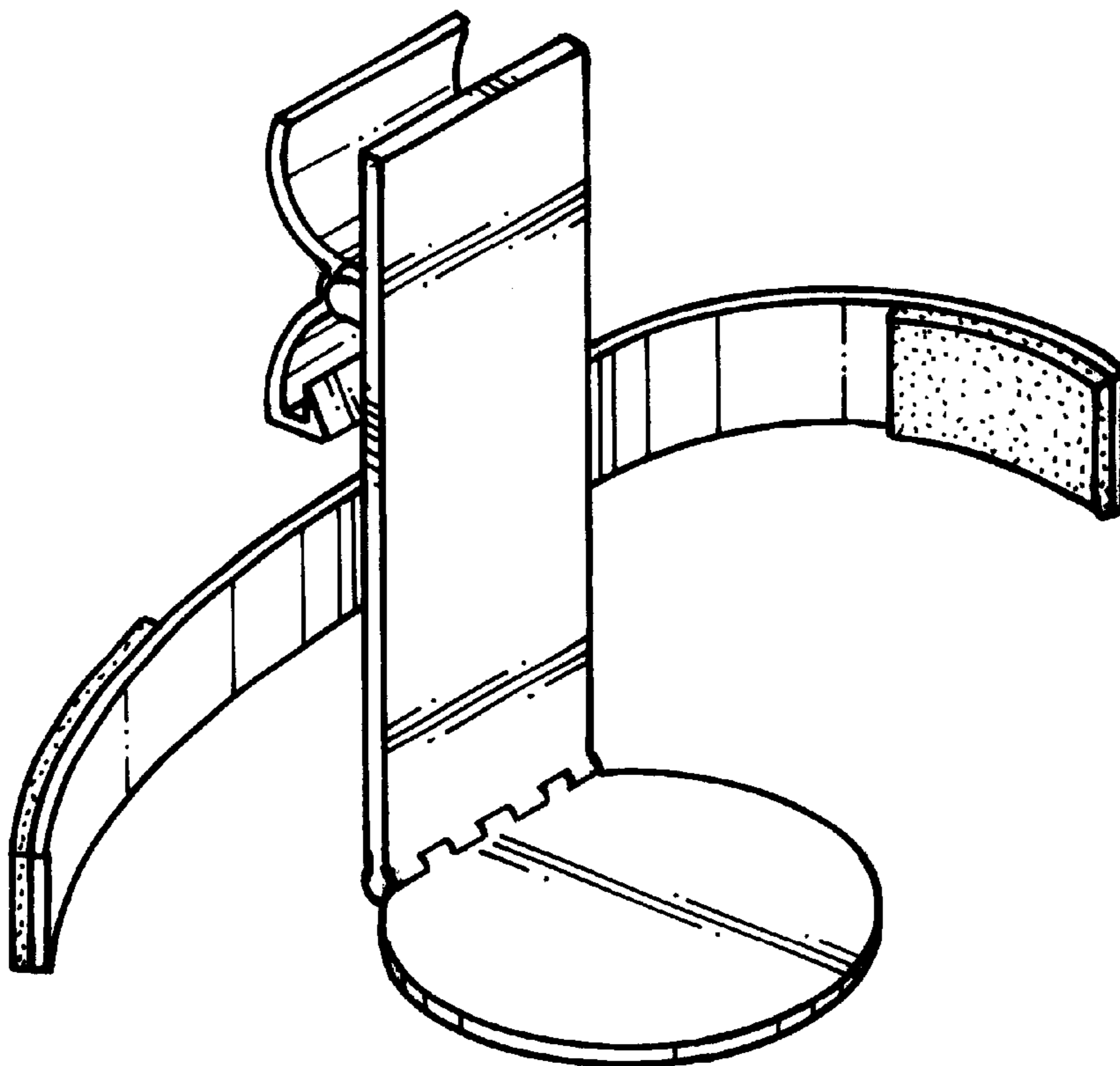
FIG. 8 is a reduced perspective view showing the beverage holder having spring-biased clip, encircling strap with hook-and-loop fastener, and pivoting support platform in use; the broken lines show environmental structure for illustrative purposes only and form no part of the claimed design.

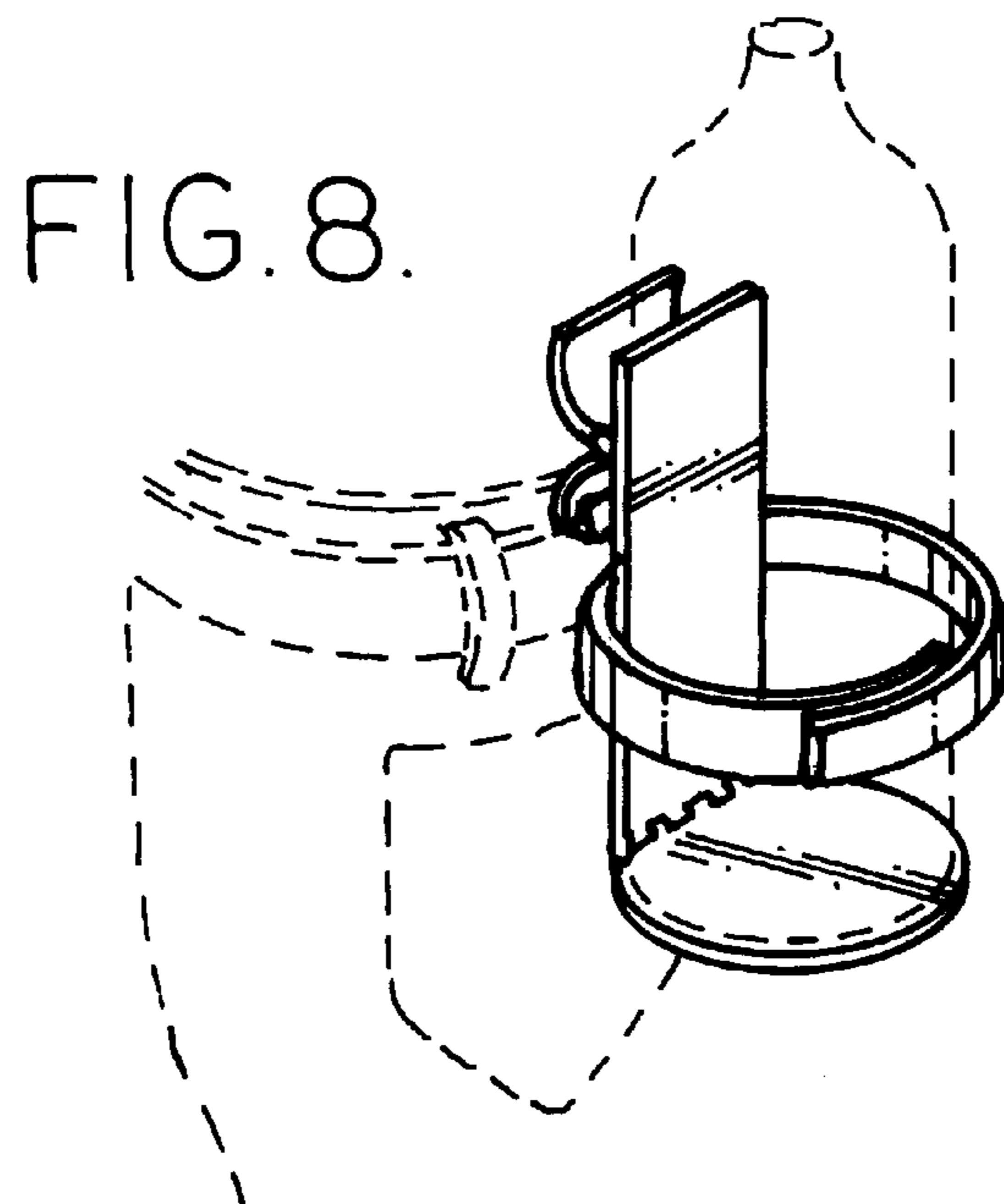
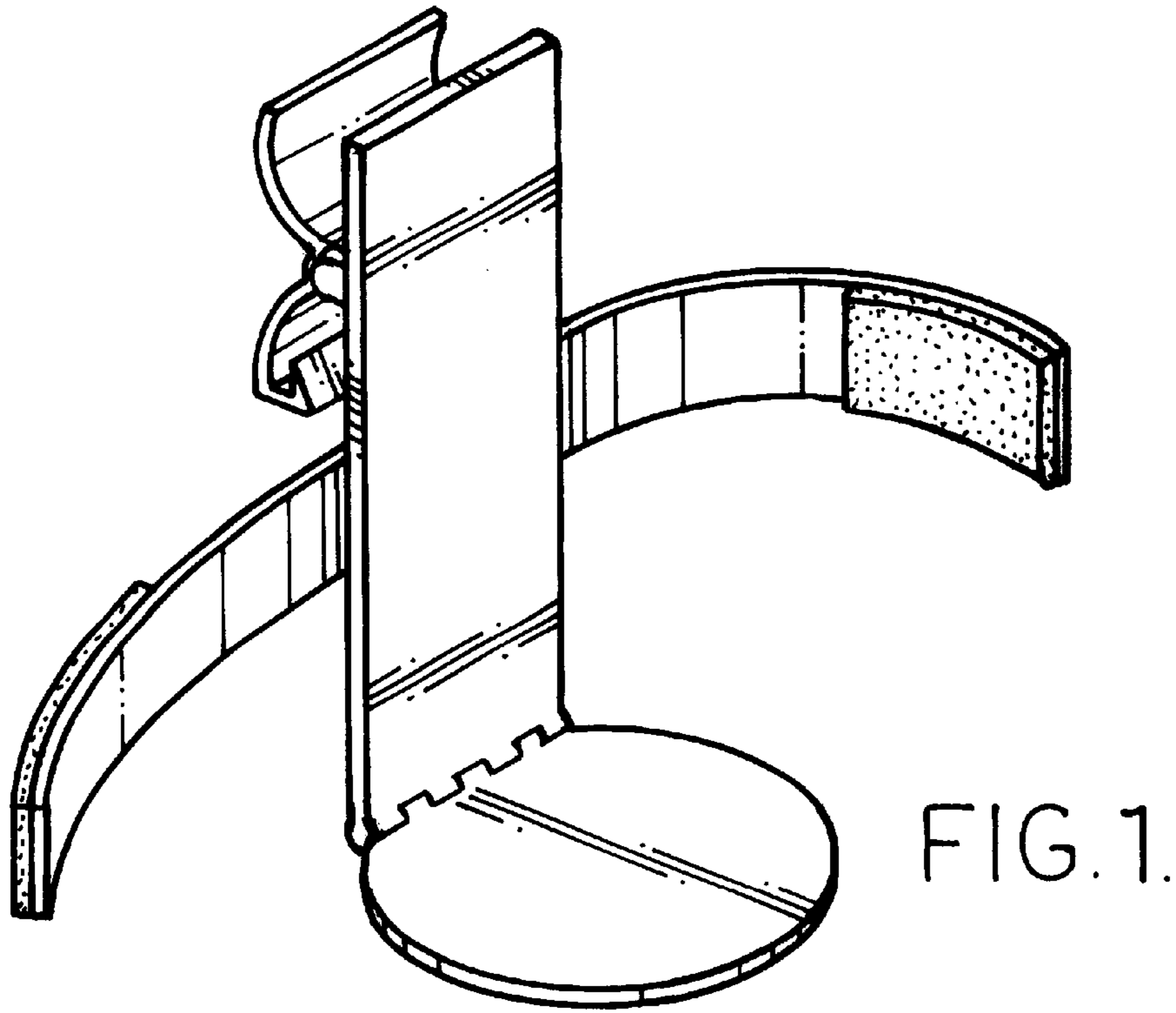
(56) **References Cited**

U.S. PATENT DOCUMENTS

4,060,876	A	12/1977	De Soto	224/666
4,265,381	A	5/1981	Muscatell	224/148
D279,836	S	* 7/1985	Tanaka	D12/420
4,819,846	A	4/1989	Hannemann	224/240
5,060,835	A	10/1991	Payne	224/224
D333,071	S	* 2/1993	Lim	D7/620
D351,279	S	10/1994	Montgomery	D3/215
5,410,762	A	5/1995	Maskovich	2/338

1 Claim, 4 Drawing Sheets





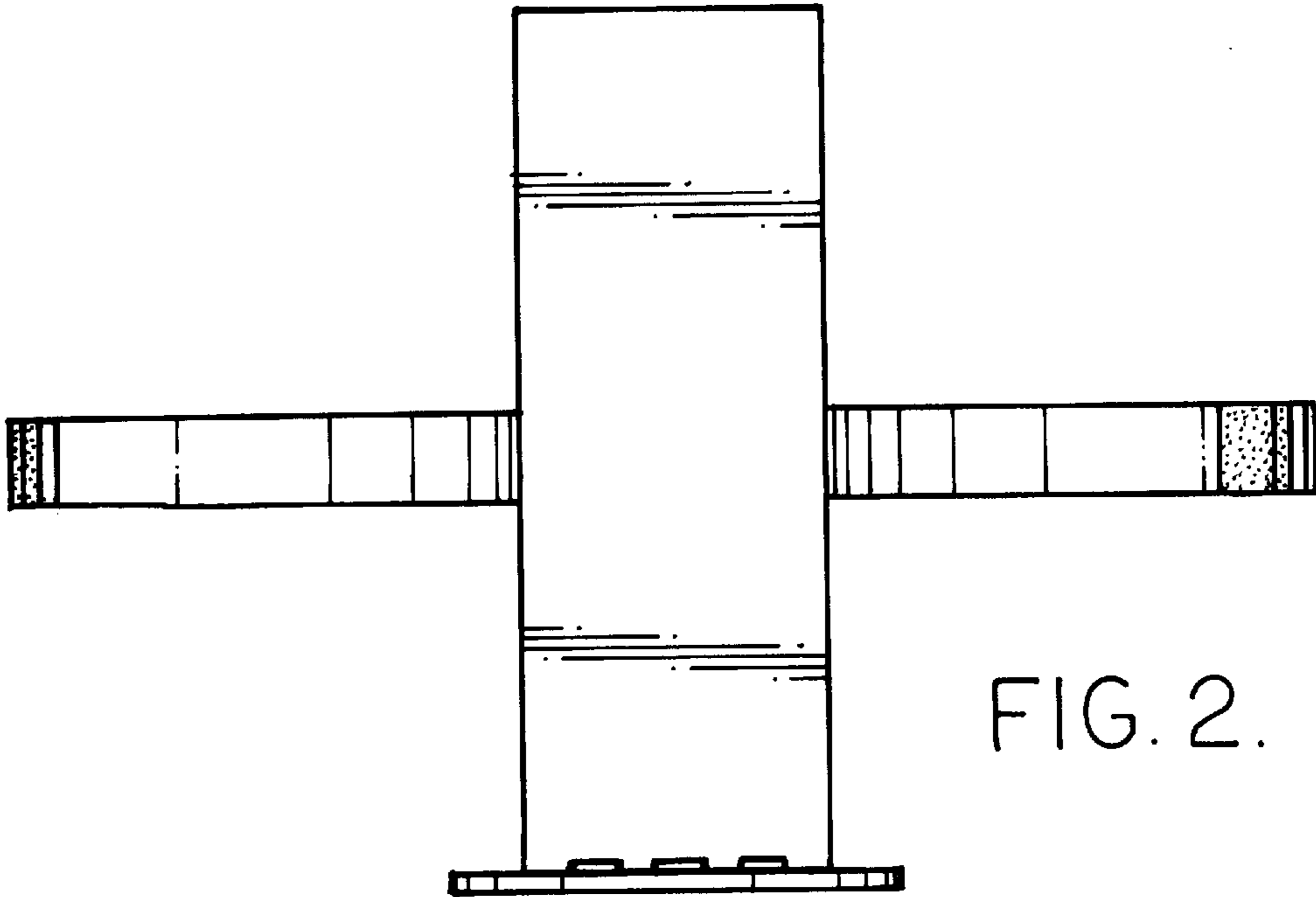


FIG. 2.

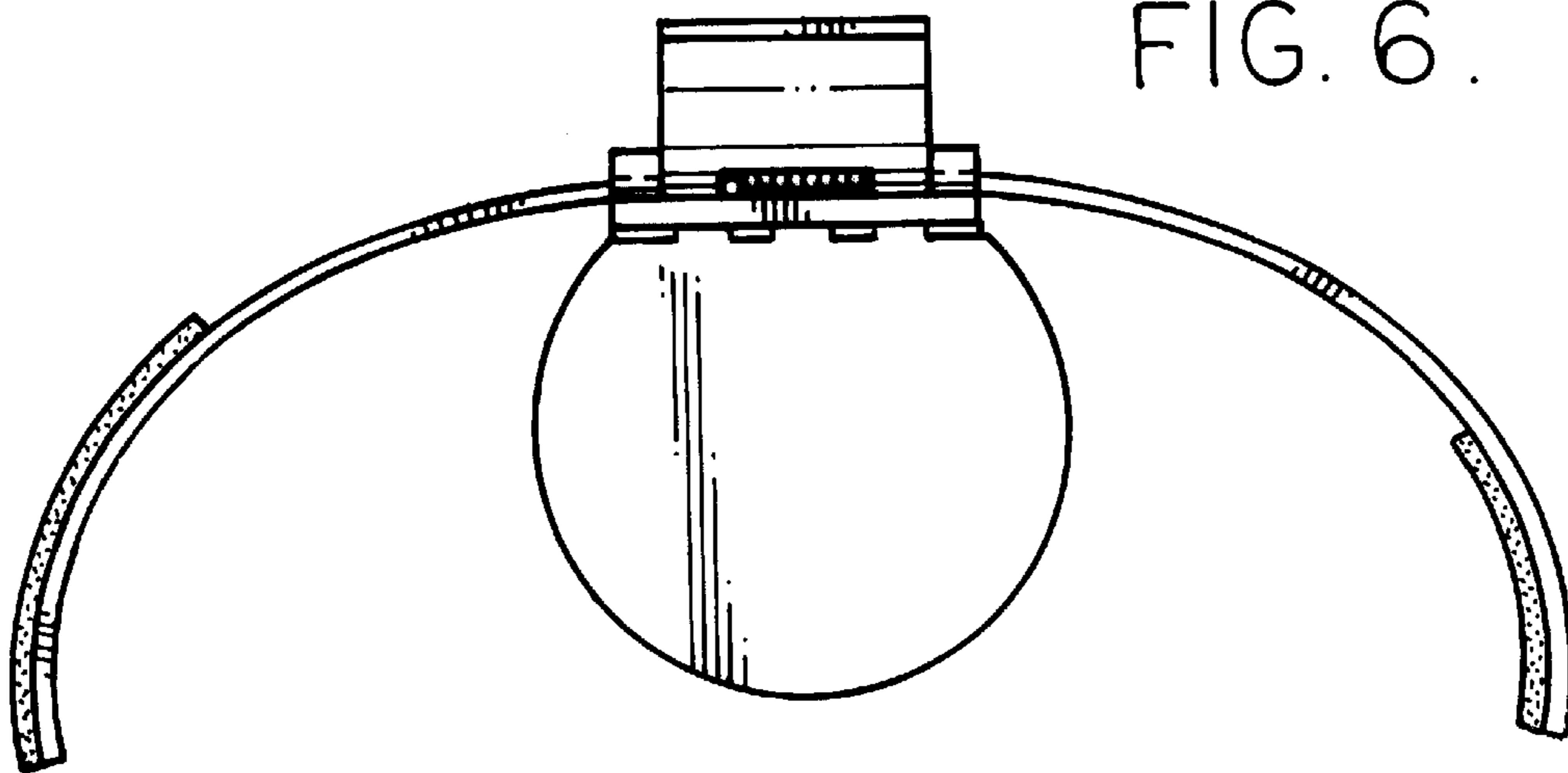


FIG. 6.

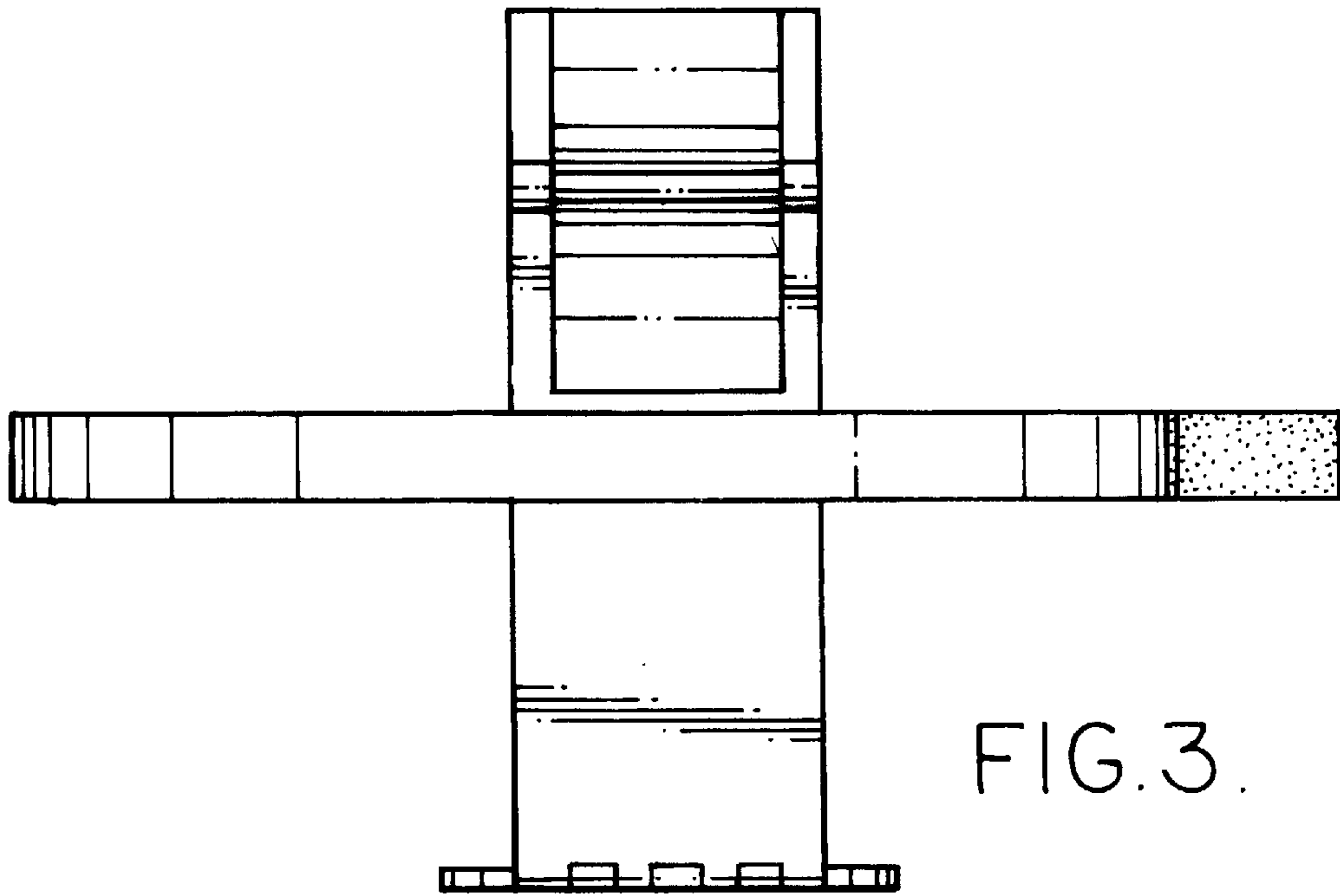


FIG. 3.

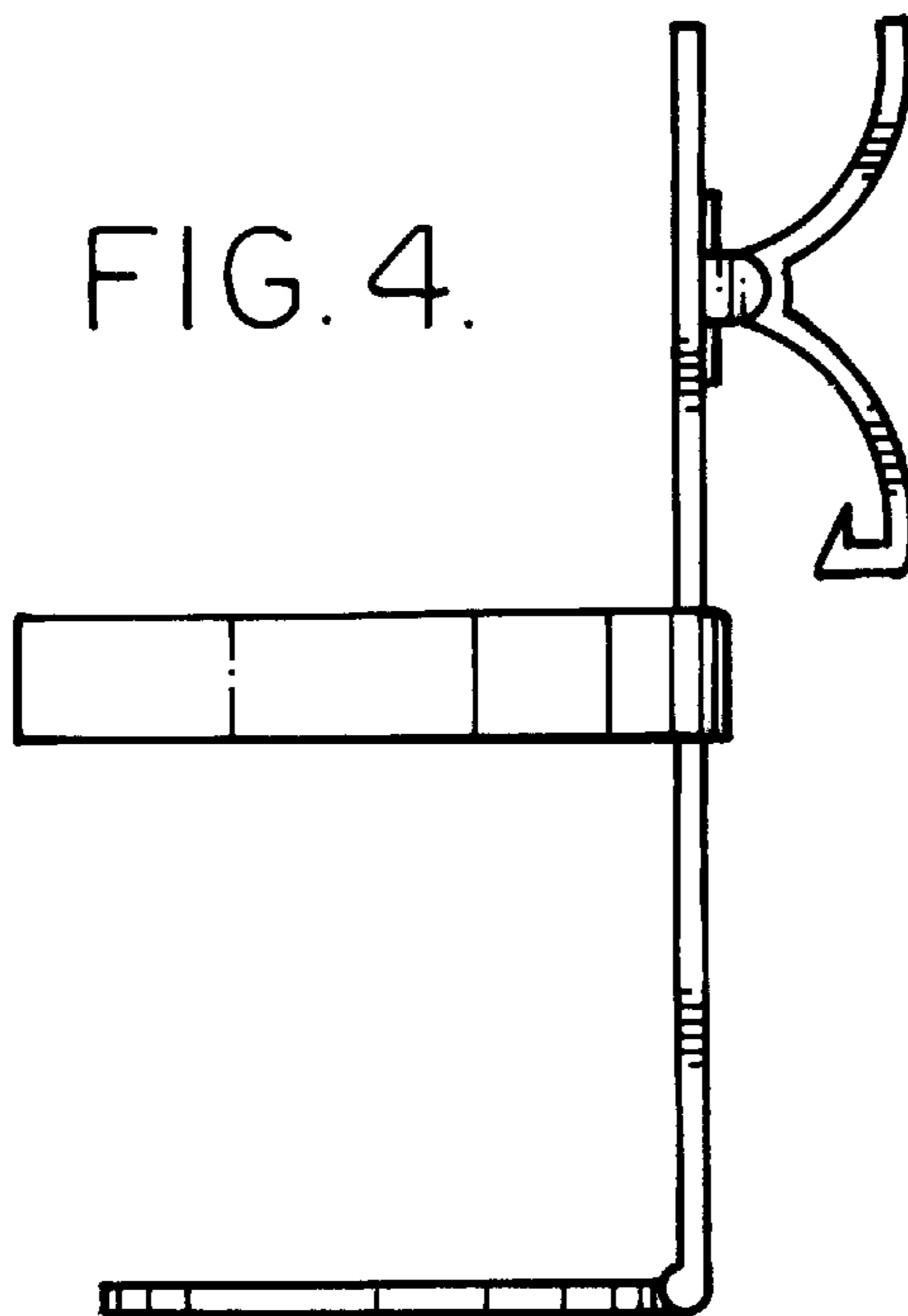


FIG. 4.

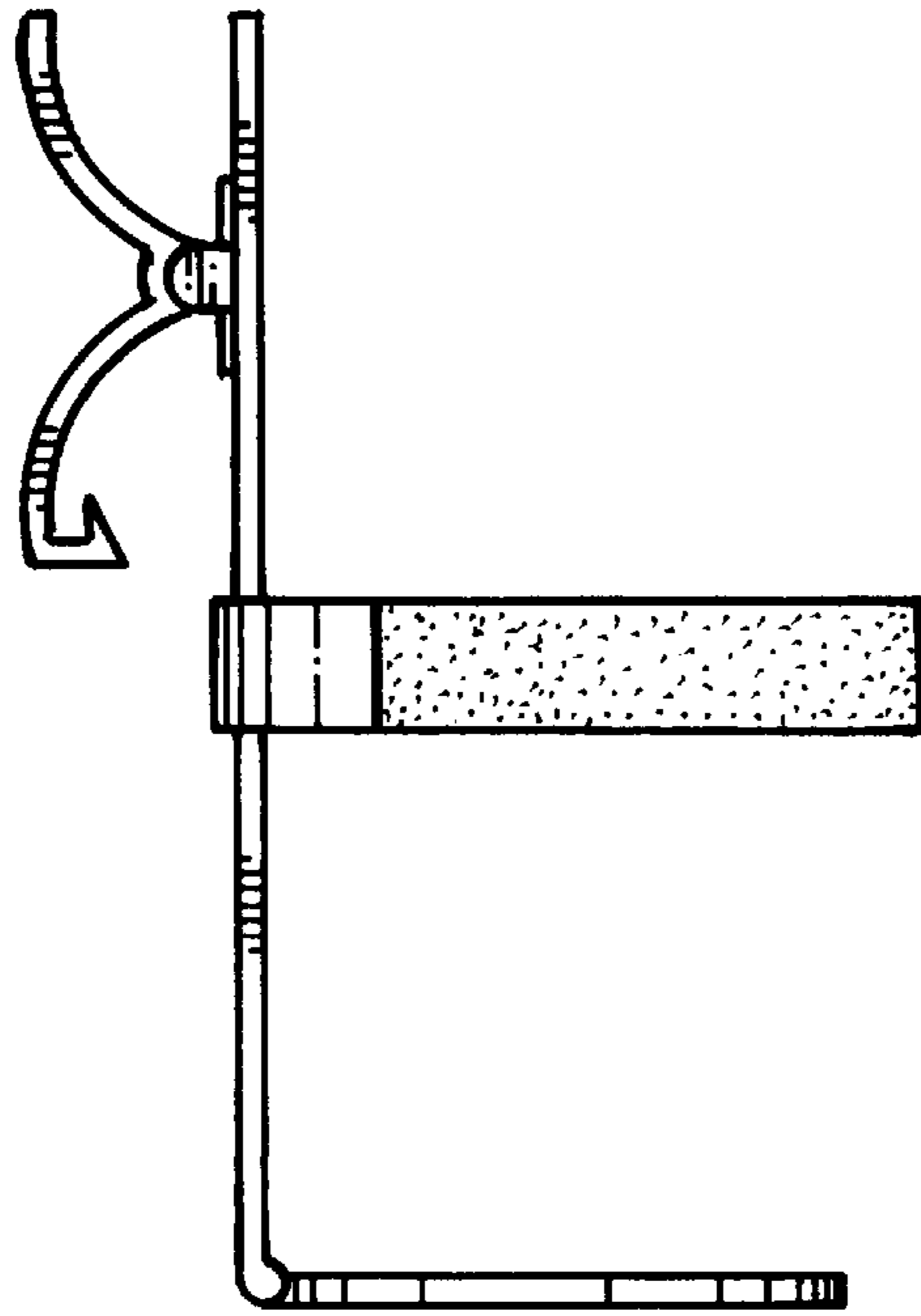


FIG. 5

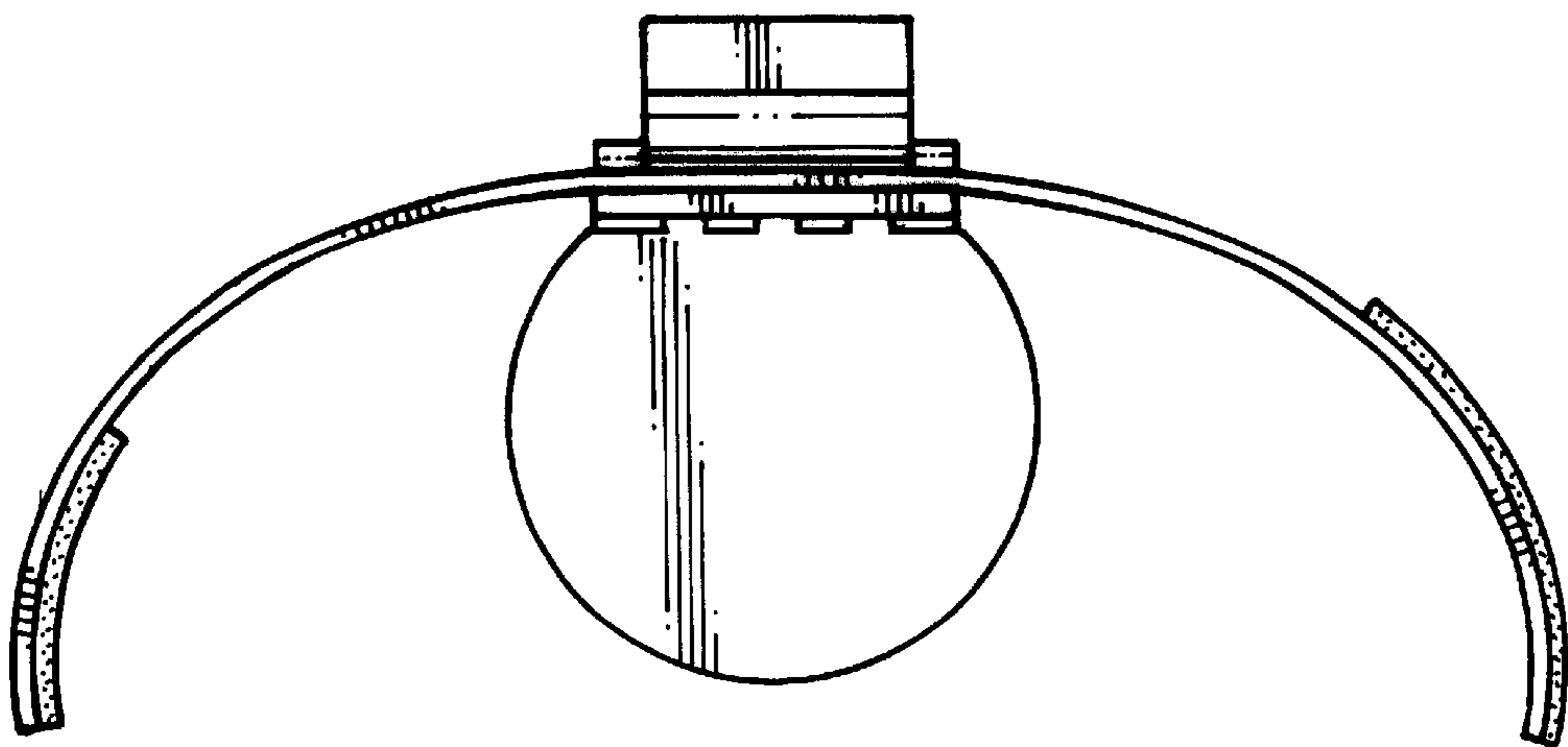


FIG. 7.