



US00D484307S

(12) **United States Design Patent**
Willows et al.

(10) **Patent No.: US D484,307 S**

(45) **Date of Patent: ** Dec. 30, 2003**

(54) **BELT POUCH**

(76) Inventors: **Keith Willows**, 1823 12th Ave. West,
Seattle, WA (US) 98119; **Antonio del
Rosario**, 3265 112th Ave. SE., Bellevue,
WA (US) 98004; **June Angus**, 1823
12th Ave. W., Seattle, WA (US) 98119

(**) Term: **14 Years**

(21) Appl. No.: **29/172,014**

(22) Filed: **Dec. 3, 2002**

(51) **LOC (7) Cl.** **03-01**

(52) **U.S. Cl.** **D3/226**

(58) **Field of Search** D3/226, 224, 215,
D3/221, 228, 232-238; 224/904, 901, 240,
269, 684, 683, 241, 914

(56) **References Cited**

U.S. PATENT DOCUMENTS

D448,925 S * 10/2001 Willows et al. D3/226

D458,021 S * 6/2002 Willows et al. D3/226

D459,876 S * 7/2002 Smith D3/226

D465,323 S * 11/2002 Dancyger D3/226

* cited by examiner

Primary Examiner—Catherine R. Oliver

(57) **CLAIM**

The ornamental design for a belt pouch, as shown and described.

DESCRIPTION

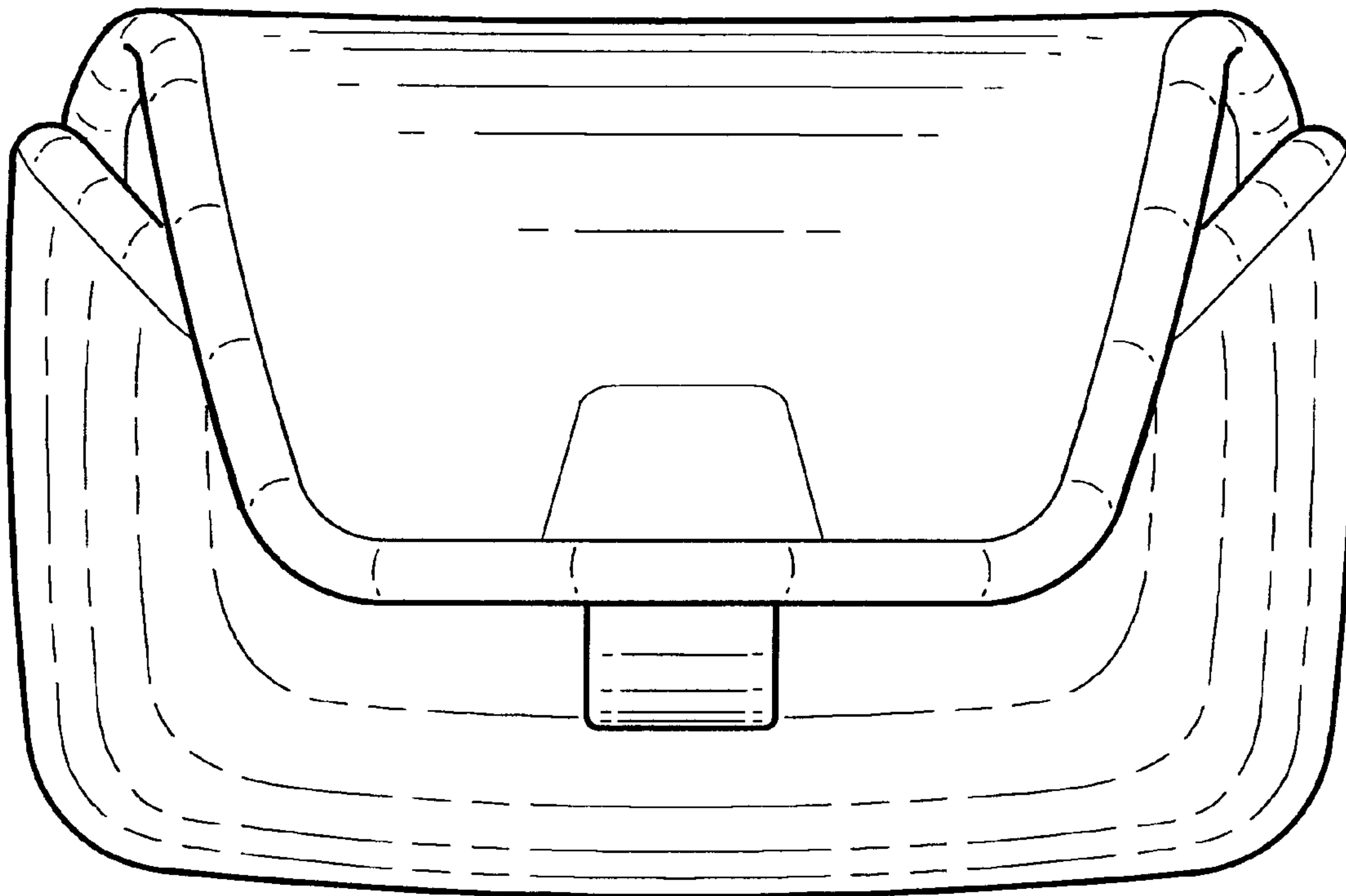
FIG. 1 is a front elevational view of our belt pouch design; FIG. 2 is a right side view, the left side being a mirror image thereof;

FIG. 3 is a rear elevational view thereof;

FIG. 4 is a top plan view thereof; and,

FIG. 5 is a bottom plan view thereof.

1 Claim, 2 Drawing Sheets



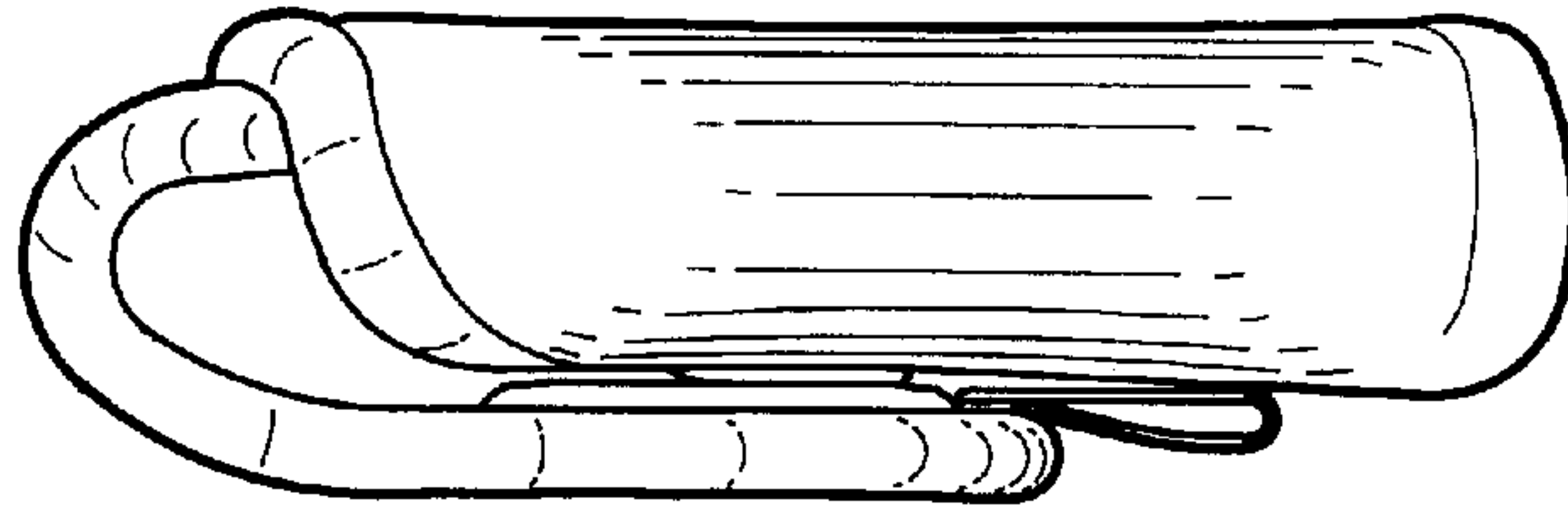


FIG. 2

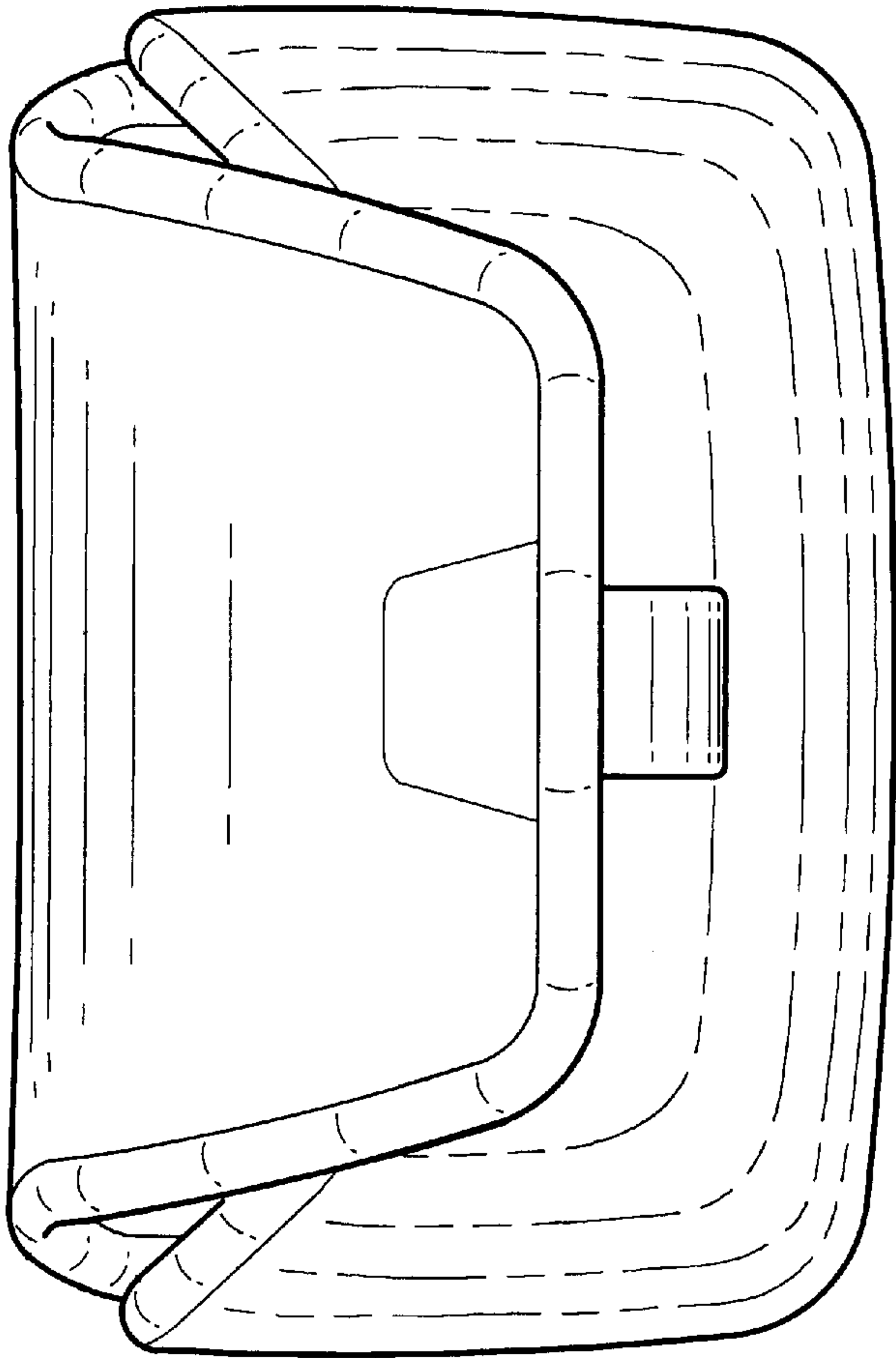


FIG. 1

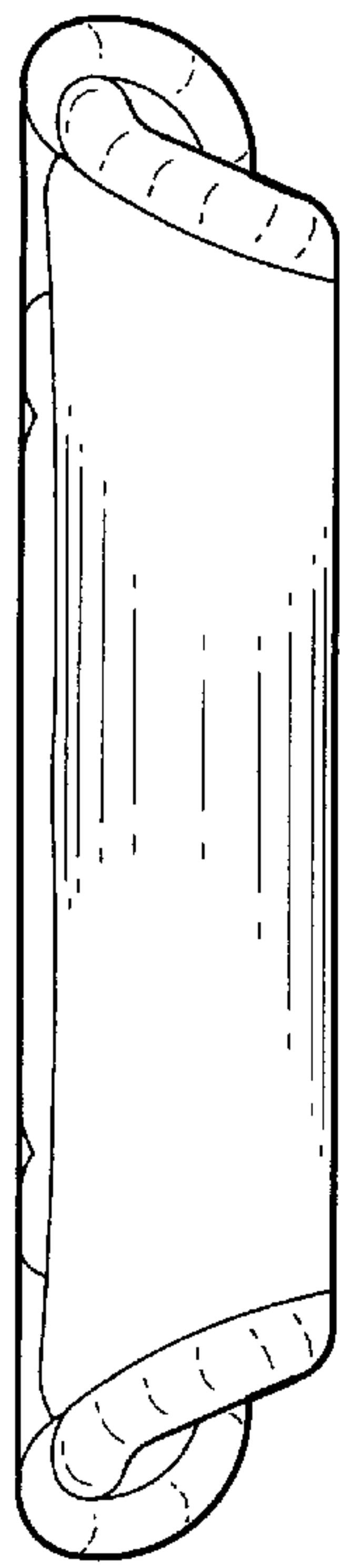


FIG. 4

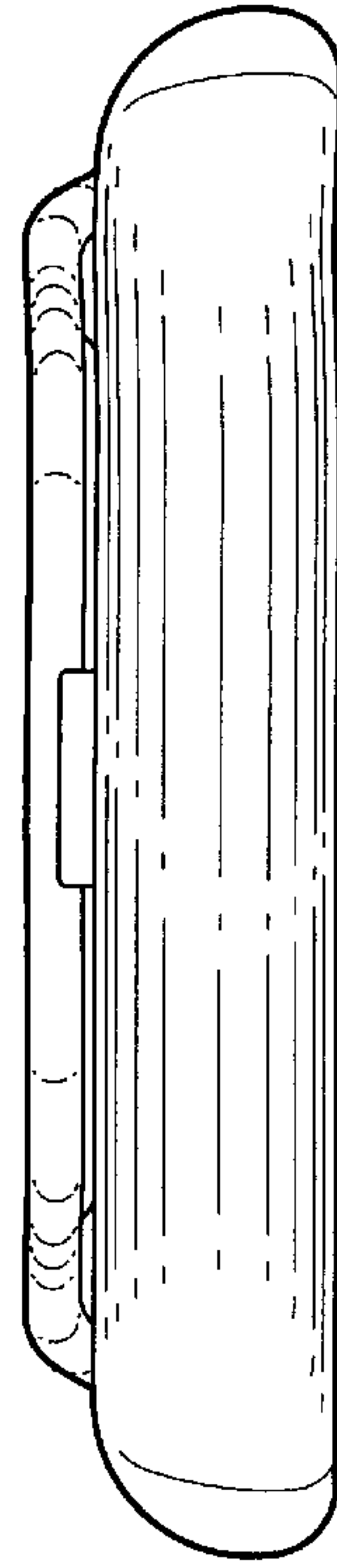


FIG. 5

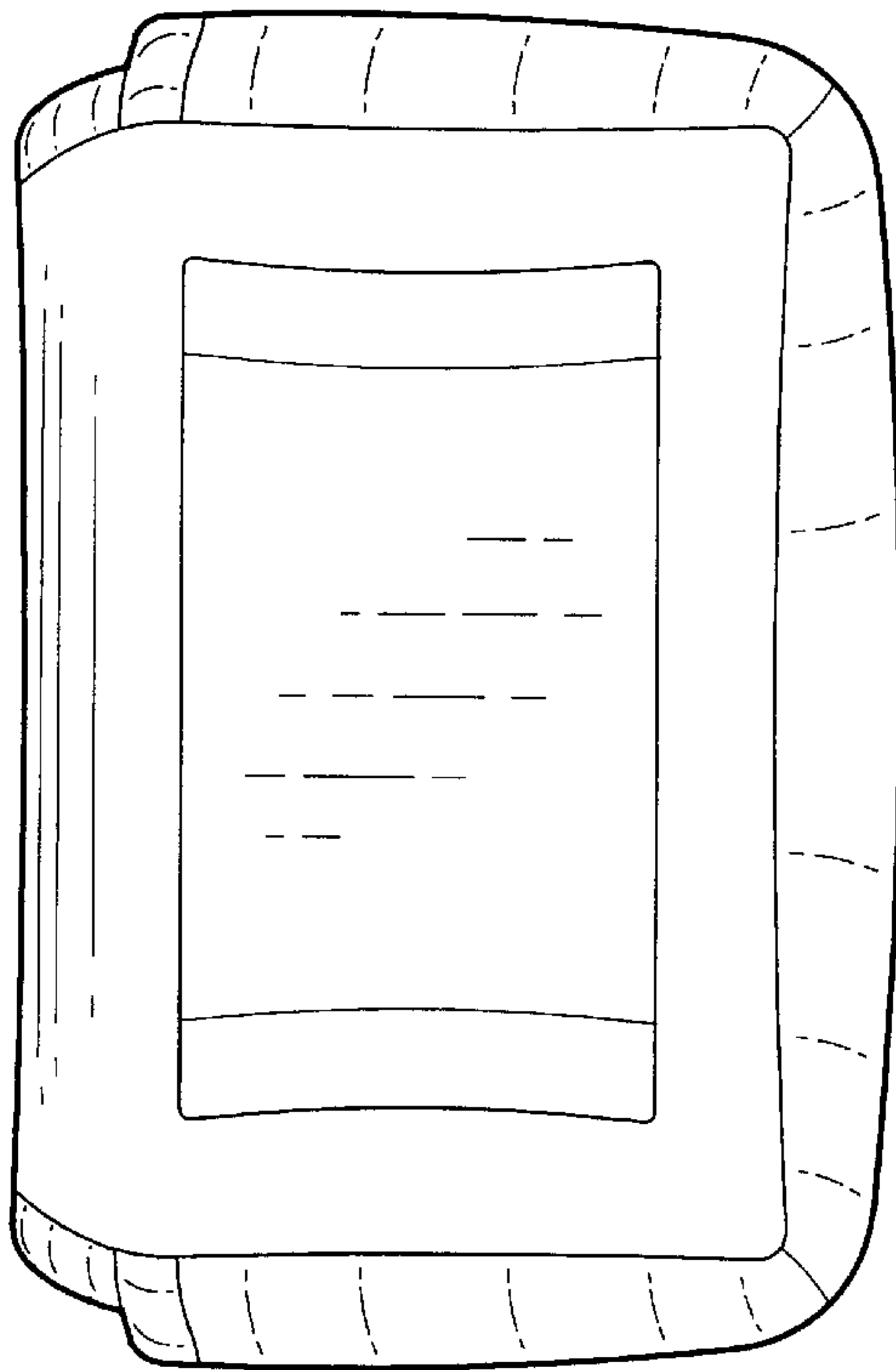


FIG. 3