



US00D484305S

(12) **United States Design Patent**  
**Eldon, III et al.**

(10) **Patent No.:** **US D484,305 S**

(45) **Date of Patent:** **\*\* Dec. 30, 2003**

(54) **TOILETRY CASE**

(75) Inventors: **James B. Eldon, III**, Barto, PA (US);  
**David D. McClanahan**, Harleysville,  
PA (US); **Kevin Foley**, Kempton, PA  
(US); **James S. O'Halloran**, Kutztown,  
PA (US)

(73) Assignee: **Radius Corporation**, Kutztown, PA  
(US)

(\*\*) Term: **14 Years**

(21) Appl. No.: **29/160,421**

(22) Filed: **May 10, 2002**

(51) **LOC (7) Cl.** ..... **03-01**

(52) **U.S. Cl.** ..... **D3/205**

(58) **Field of Search** ..... D3/201, 203, 205,  
D3/206, 226, 265, 273, 286, 301, 901,  
903; D9/315, 337; D28/61, 77, 83; 206/38,  
228, 351, 581; 312/73, 75, 75.5, 286, 287,  
289, 300, 314, 315

(56) **References Cited**

**U.S. PATENT DOCUMENTS**

1,314,392 A \* 8/1919 Glazmo ..... 132/286  
2,984,380 A \* 5/1961 Kuhl et al. .... 206/228

4,454,889 A \* 6/1984 Contreras, Sr. .... D28/83 X  
5,107,871 A \* 4/1992 Butcher et al. .... D28/83 X  
D422,753 S \* 4/2000 Einarson ..... D28/77  
D442,742 S \* 5/2001 Suen ..... D28/61

\* cited by examiner

*Primary Examiner*—Louis S. Zarfes

*Assistant Examiner*—Monica A. Weingart

(74) *Attorney, Agent, or Firm*—Fish & Richardson, P.C.

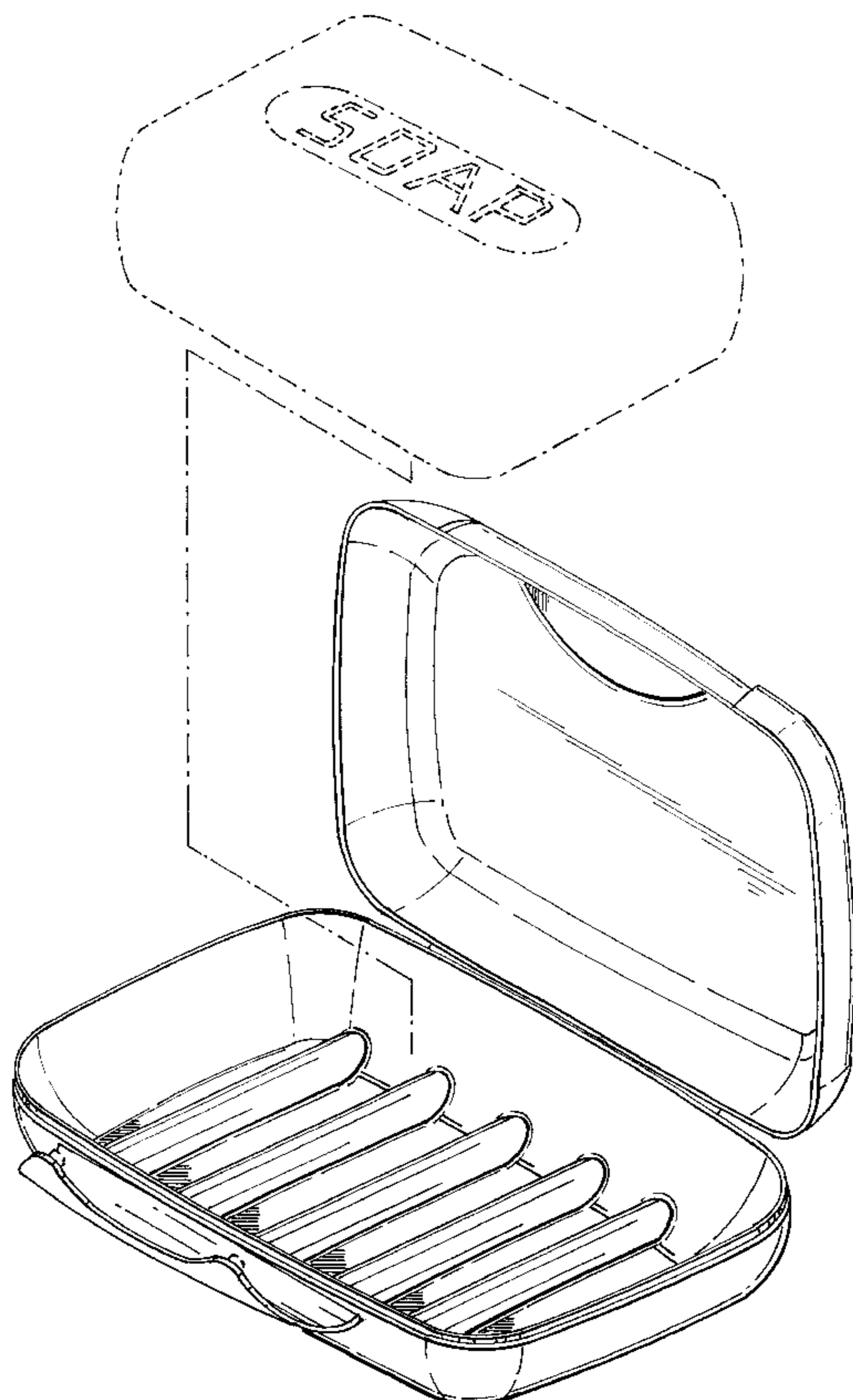
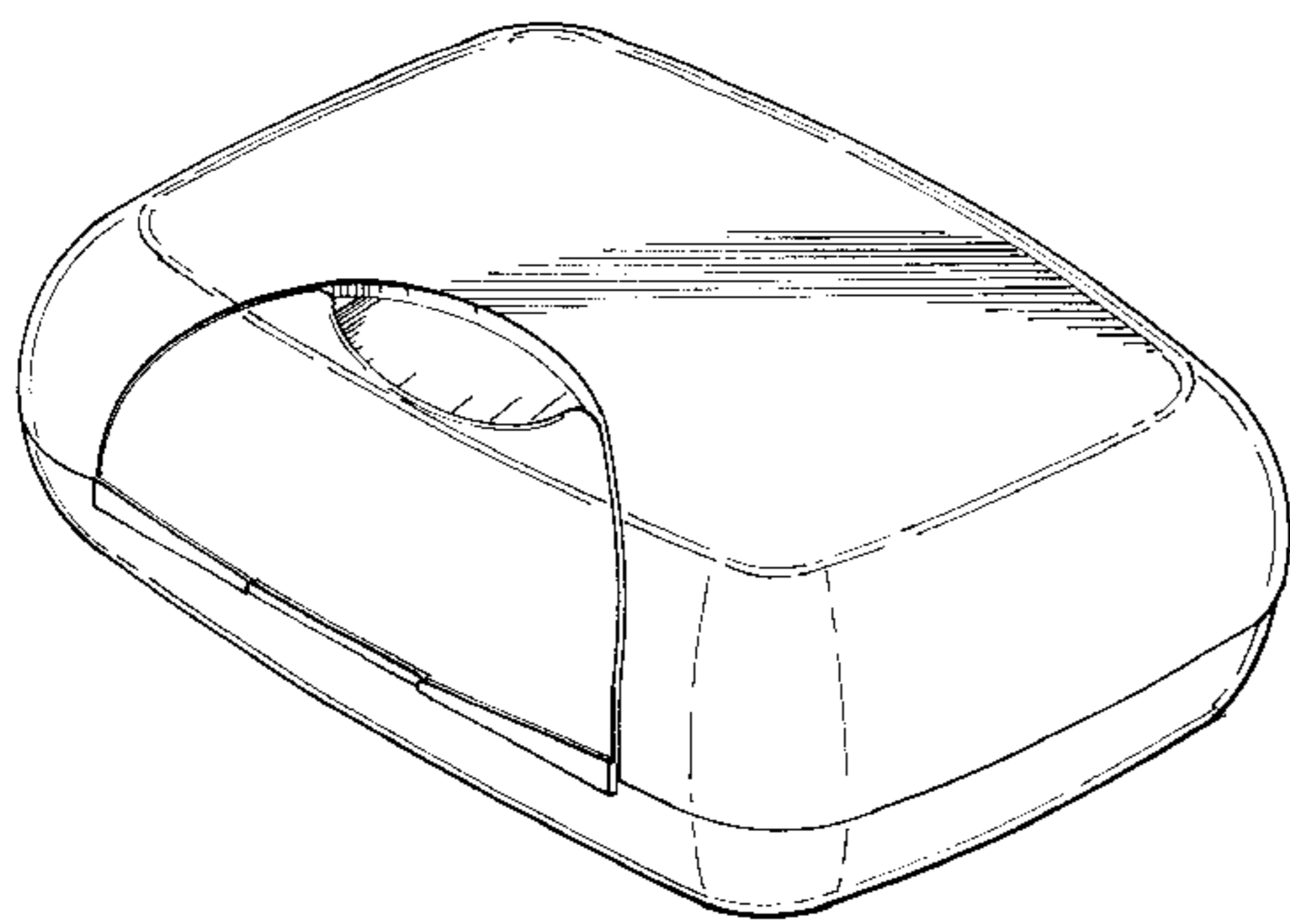
(57) **CLAIM**

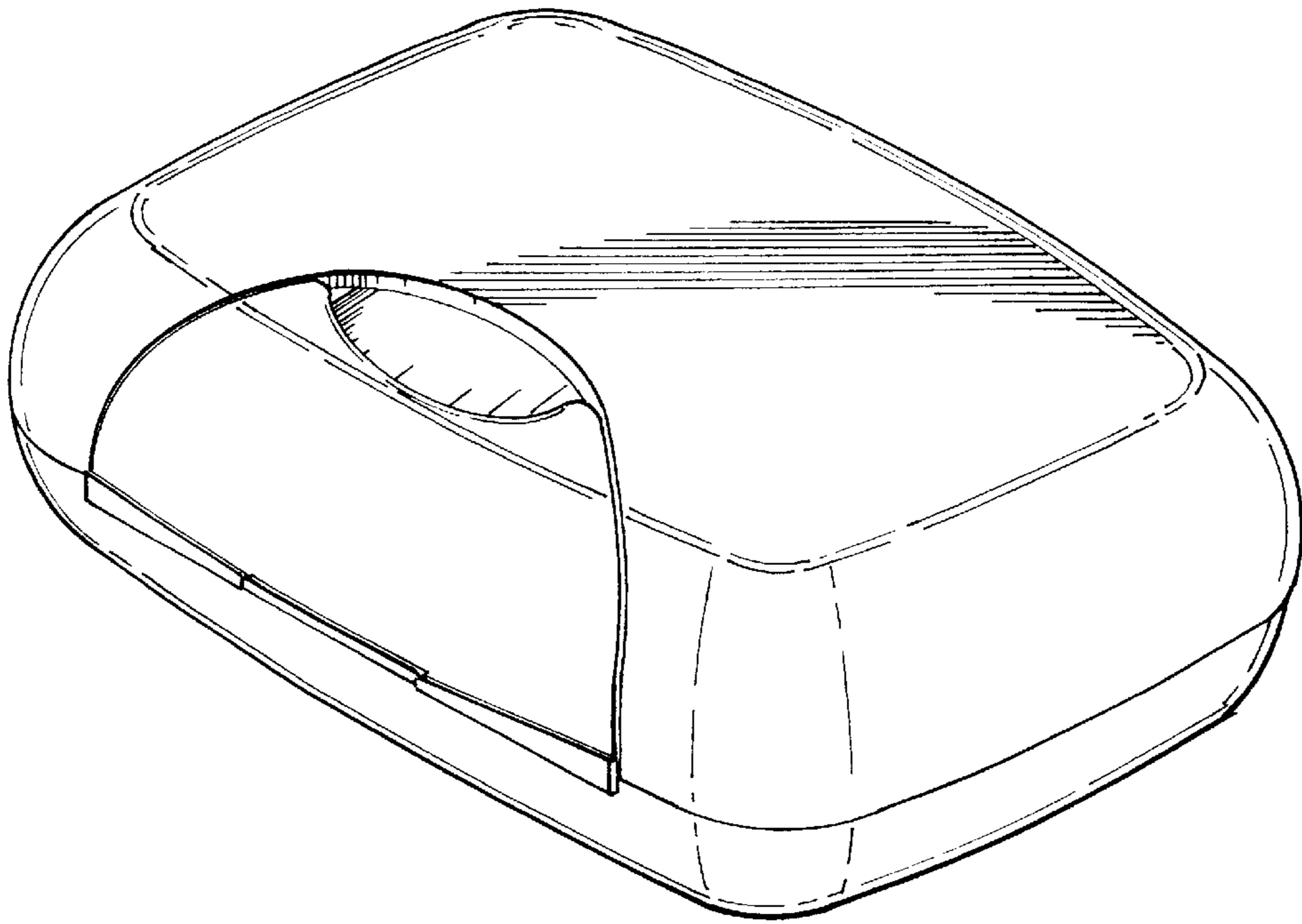
The ornamental design for a toiletry case, as shown and described.

**DESCRIPTION**

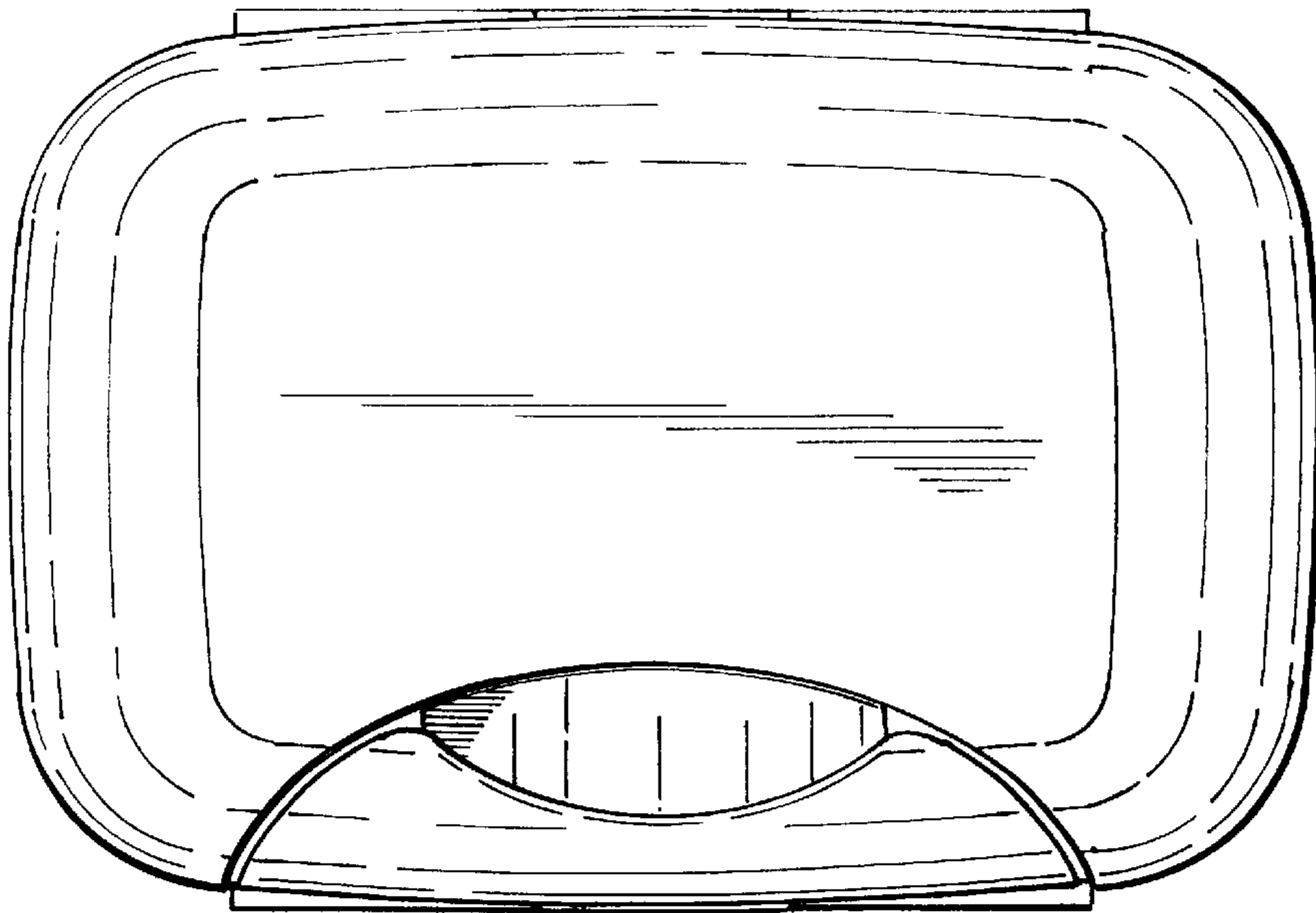
FIG. 1 is a perspective view of the top of the toiletry case.  
FIG. 2 is a top view of the toiletry case.  
FIG. 3 is a front side view of the toiletry case.  
FIG. 4 is a rear side view of the toiletry case.  
FIG. 5 is a bottom view of the toiletry case.  
FIG. 6 is a right end view of the toiletry case, the left end  
view being the mirror image thereof; and,  
FIG. 7 is a perspective view of the toiletry case, opened to  
show internal surfaces. A bar of soap is shown in broken line  
format in FIG. 7, and does not form any part of the claimed  
design.

**1 Claim, 3 Drawing Sheets**

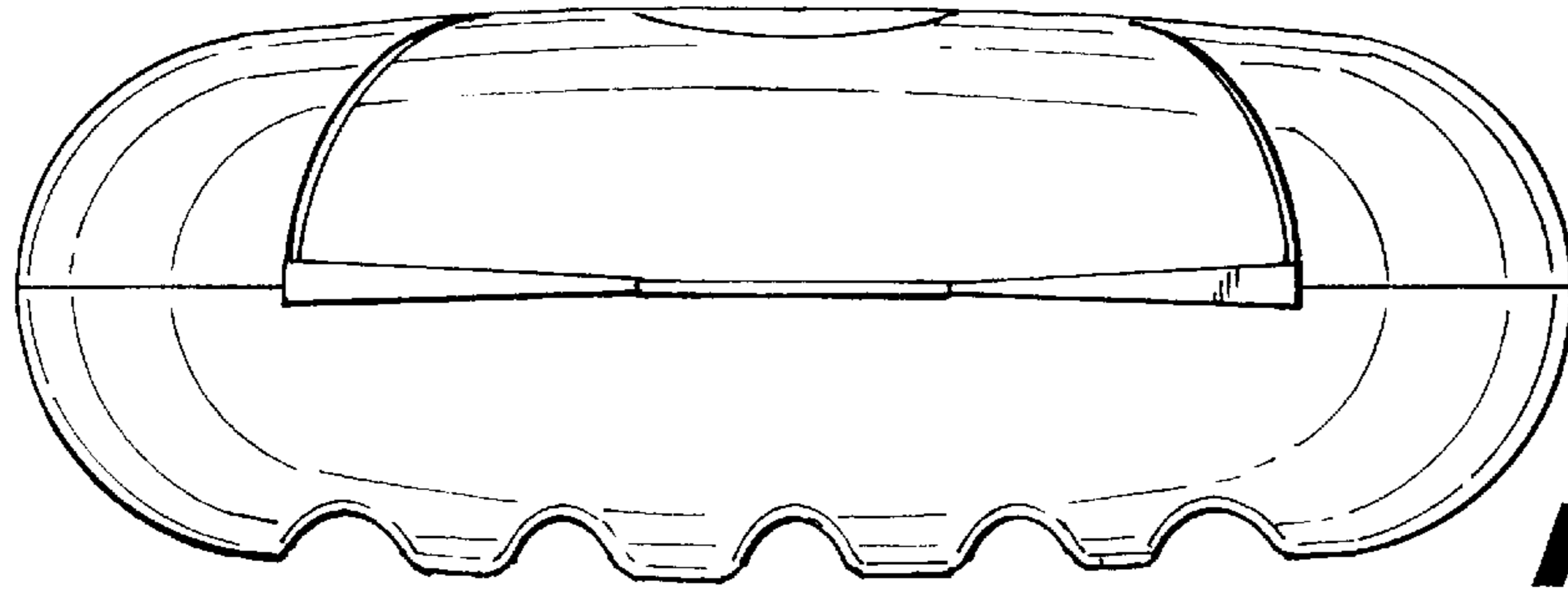




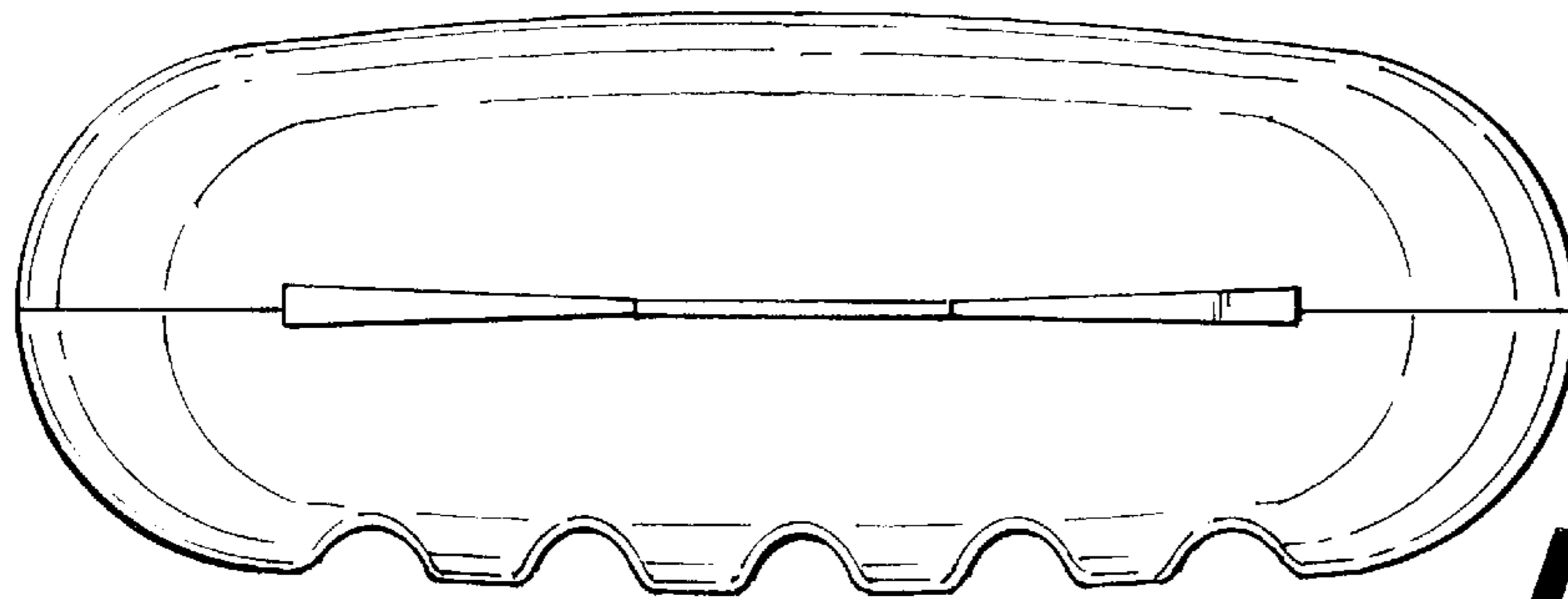
**Fig. 1**



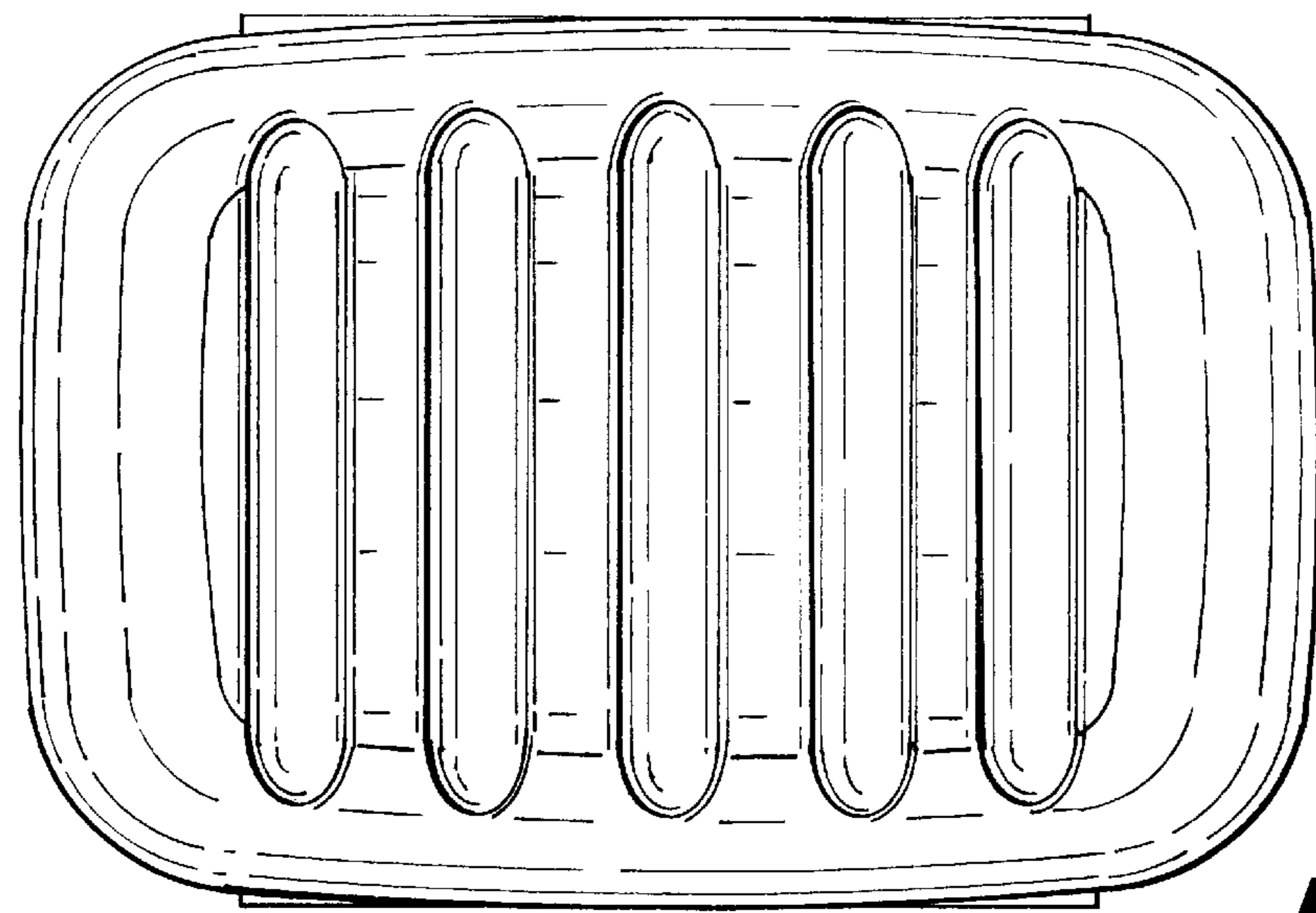
**Fig. 2**



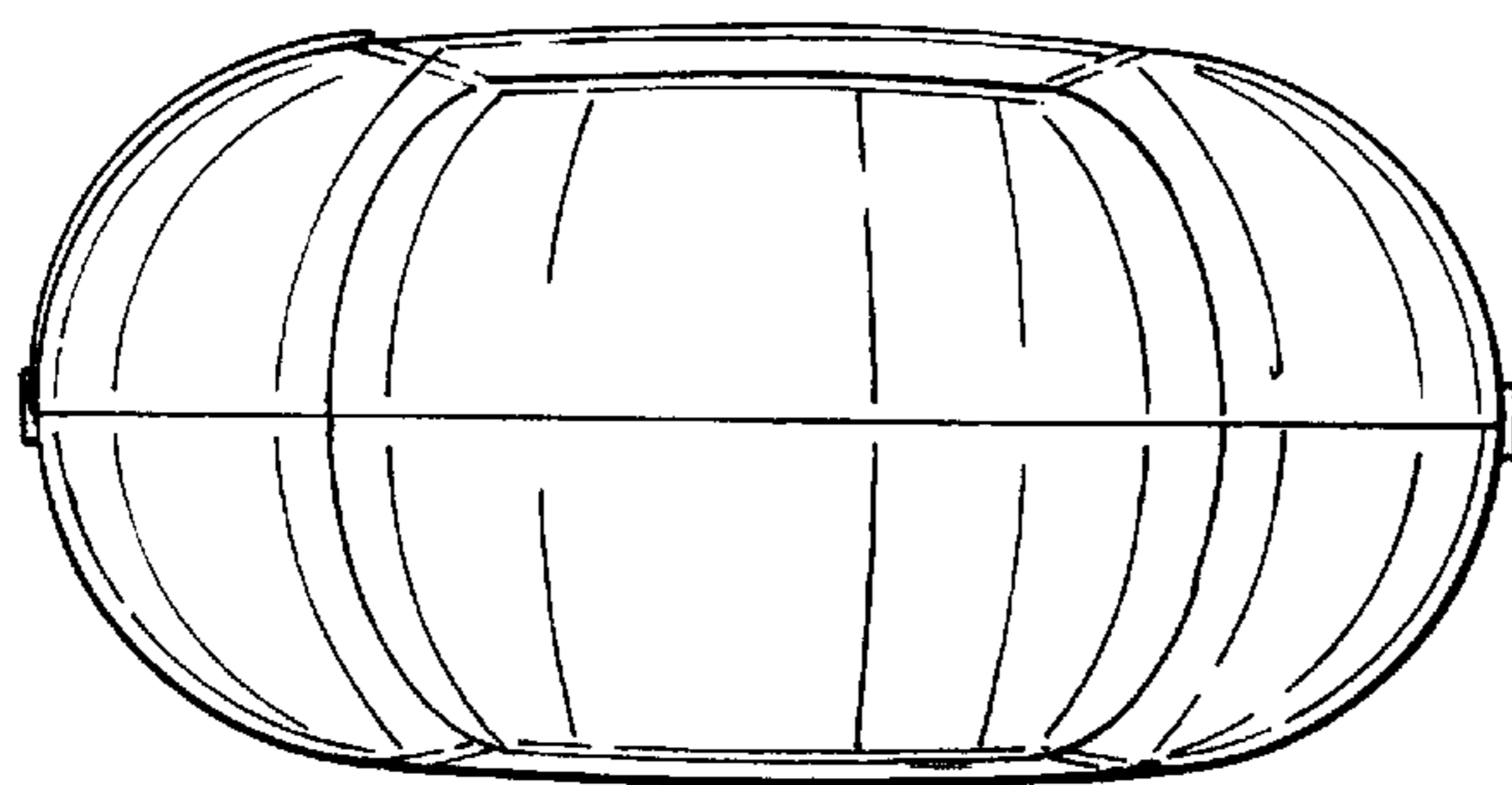
**Fig. 3**



**Fig. 4**



**Fig. 5**



**Fig. 6**

**Fig. 7**

