



US00D484303S

(12) **United States Design Patent**
Taylor

(10) **Patent No.:** **US D484,303 S**

(45) **Date of Patent:** **** Dec. 30, 2003**

(54) **UMBRELLA STAND BASE ASSEMBLY**

OTHER PUBLICATIONS

(76) Inventor: **David J. Taylor**, 129 Sugar Creek La.,
Alamo, CA (US) 94507

Catalog page from unknown source showing an umbrella
stand (undated).

(**) Term: **14 Years**

* cited by examiner

(21) Appl. No.: **29/175,638**

Primary Examiner—Ian Simmons

Assistant Examiner—Robert A. Delehanty

(22) Filed: **Feb. 6, 2003**

(74) *Attorney, Agent, or Firm*—Donald L. Beeson

Related U.S. Application Data

(57) **CLAIM**

(63) Continuation-in-part of application No. 29/170,401, filed on
Nov. 5, 2002.

The ornamental design for an umbrella stand base assembly,
as shown and described.

(51) **LOC (7) Cl.** **03-03**

DESCRIPTION

(52) **U.S. Cl.** **D3/10**

(58) **Field of Search** D3/5-6, 10; 135/98,
135/15.1, 19.5, 99; 248/519, 523

FIG. 1 is an exploded top perspective of an umbrella stand
base assembly showing my new design;

FIG. 2 is a top perspective view of;

FIG. 3 is a front elevational view thereof;

FIG. 4 is a right side elevational view, the left side being a
mirror image; and,

FIG. 5 is a top plan view thereof.

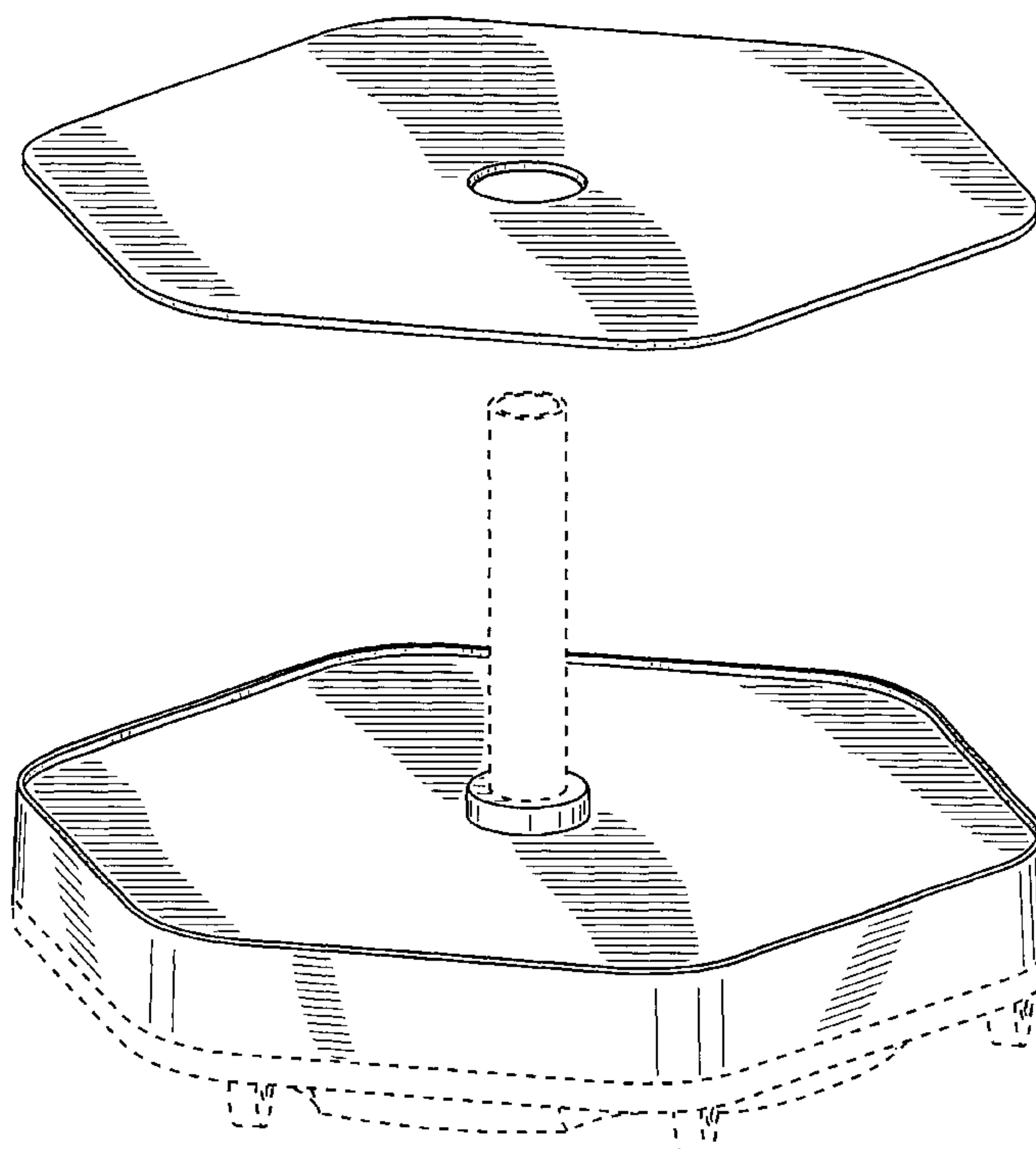
(56) **References Cited**

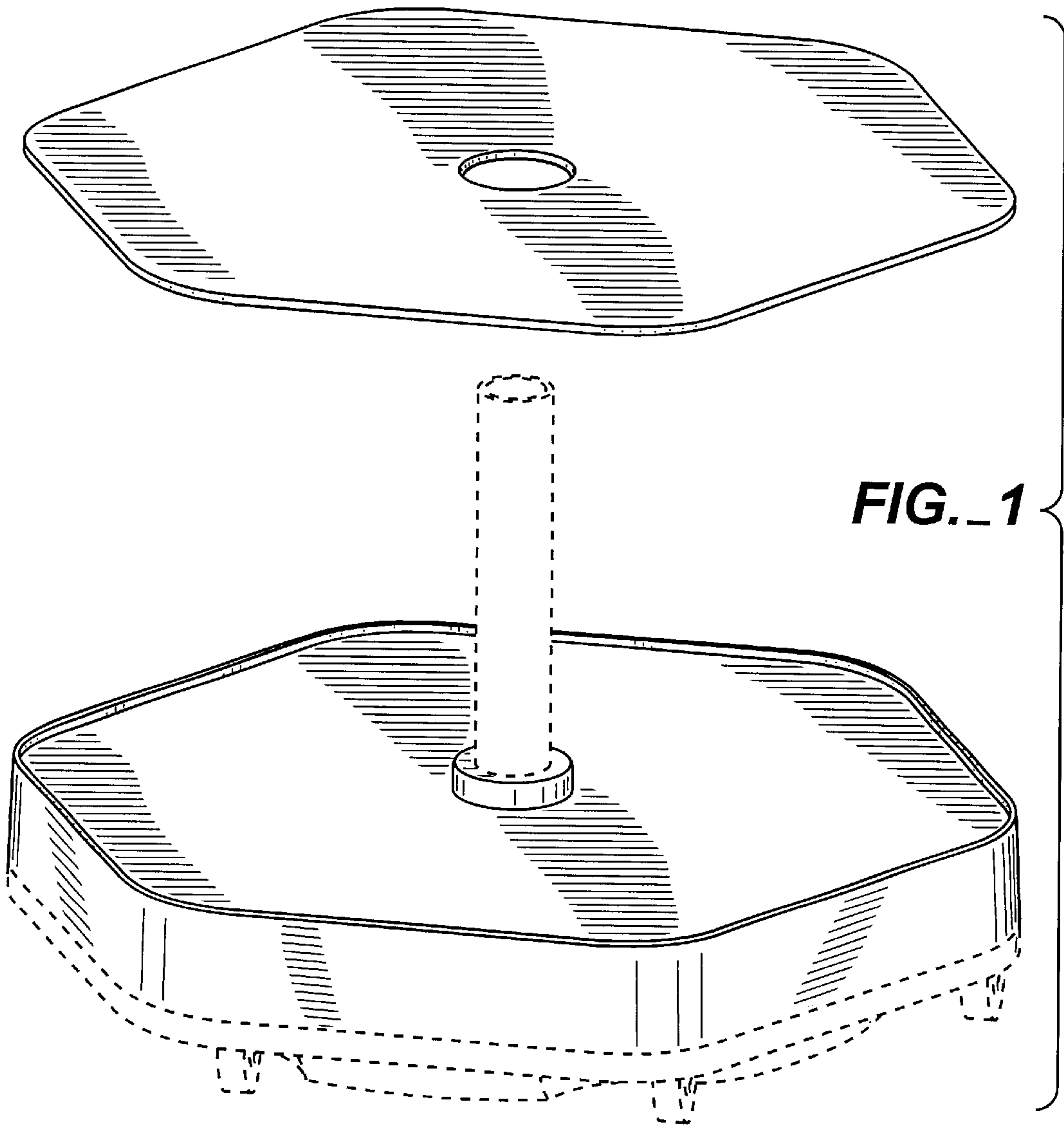
U.S. PATENT DOCUMENTS

4,148,455	A	4/1979	Oliver	
4,834,126	A	* 5/1989	Sweet, Jr.	135/15.1
5,354,031	A	10/1994	Bilotti	
5,499,644	A	3/1996	Geniele	
6,113,054	A	9/2000	Ma	
6,367,494	B1	4/2002	Tungl	
6,446,930	B1	9/2002	Li	
6,511,033	B2	* 1/2003	Li	248/519
6,530,487	B1	* 3/2003	Berry	248/519 X
2001/0040208	A1	11/2001	Li	

The broken lines shown in FIGS. 1-5 indicate indeterminate
thickness. They are otherwise for illustrative purposes only
and indicate the nature and use of my new design. The
bottom of the umbrella stand base assembly of my new
design is unornamented and is not considered part of my
new design.

1 Claim, 4 Drawing Sheets





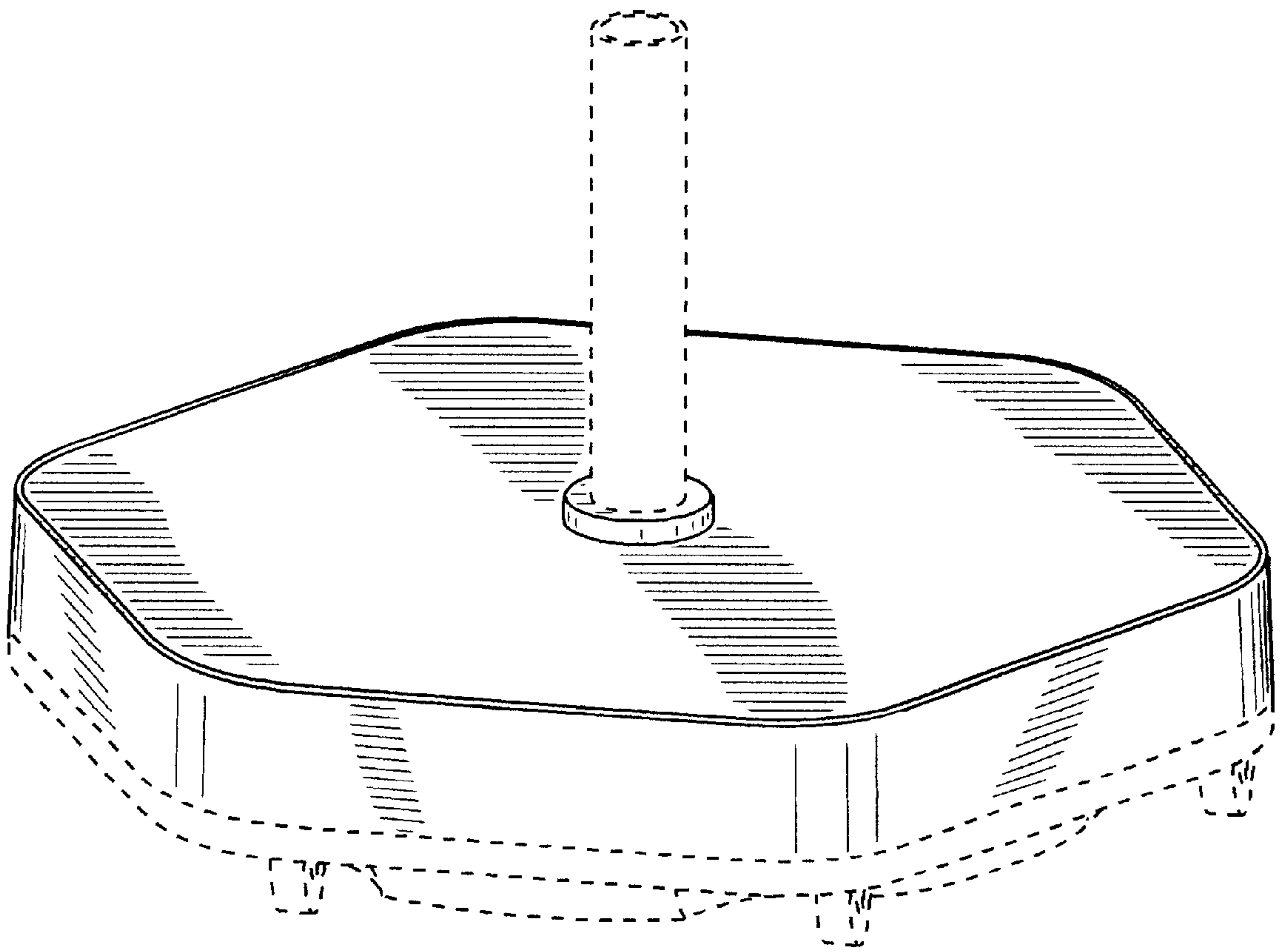


FIG. 2

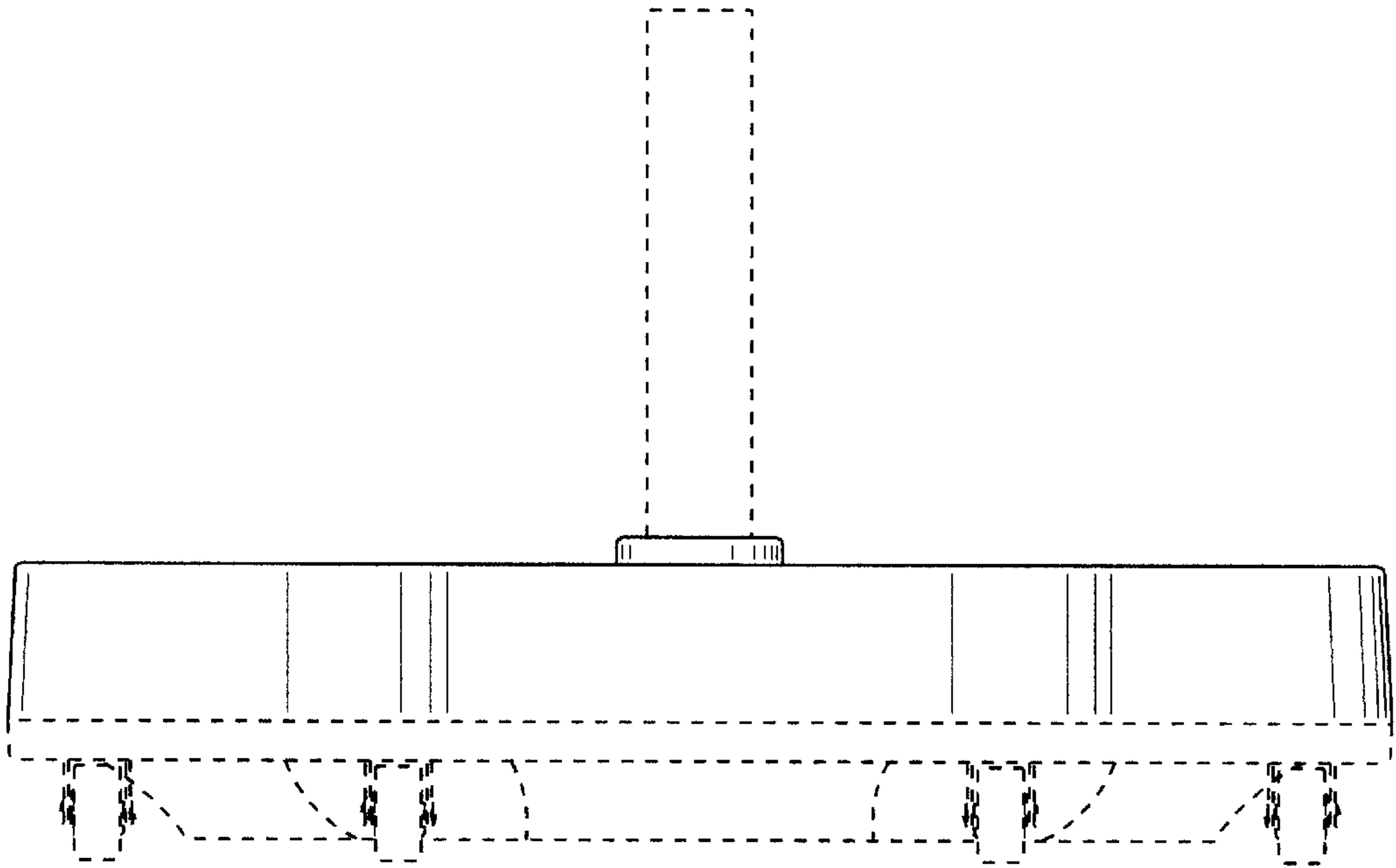


FIG. 3

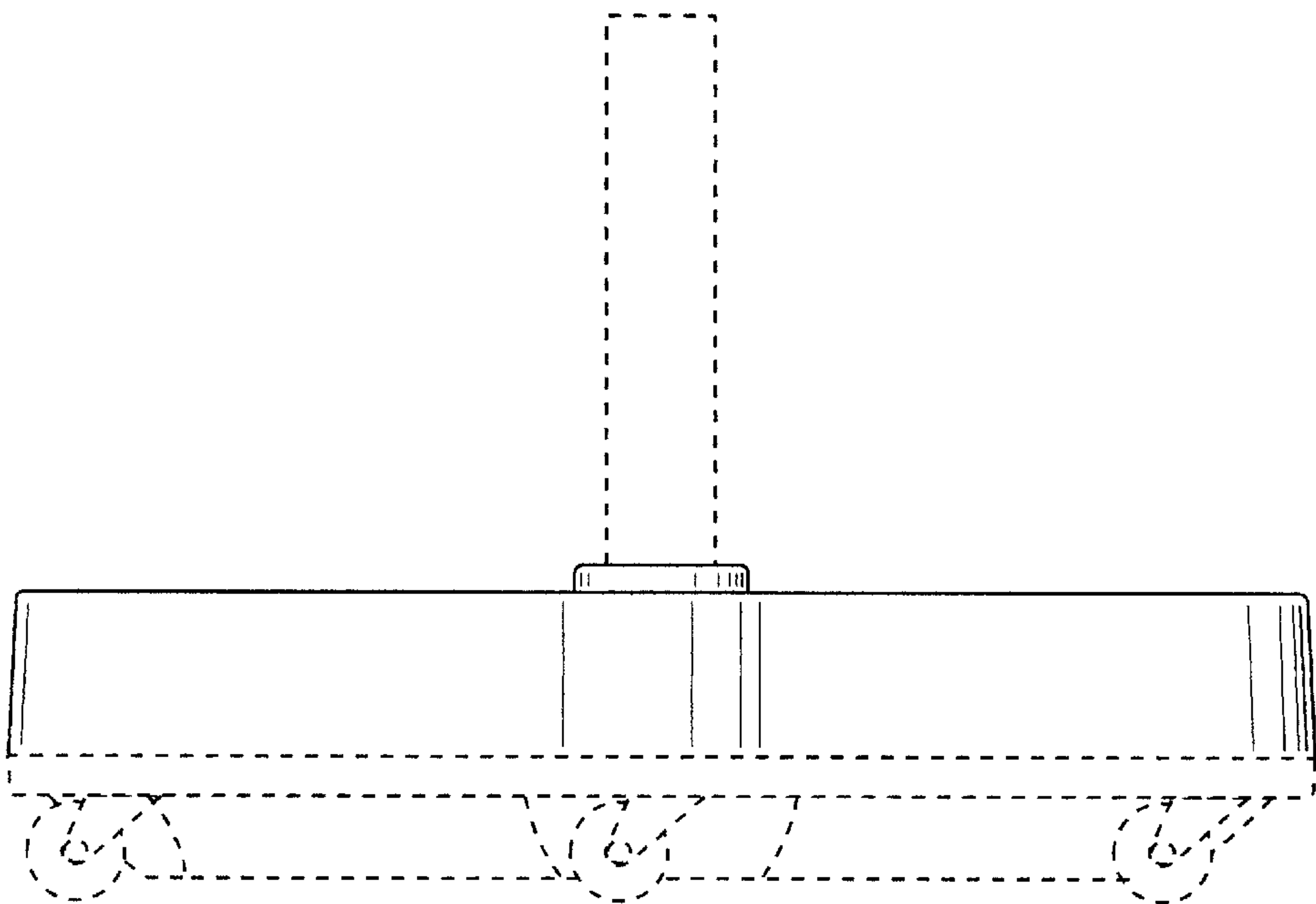


FIG. 4

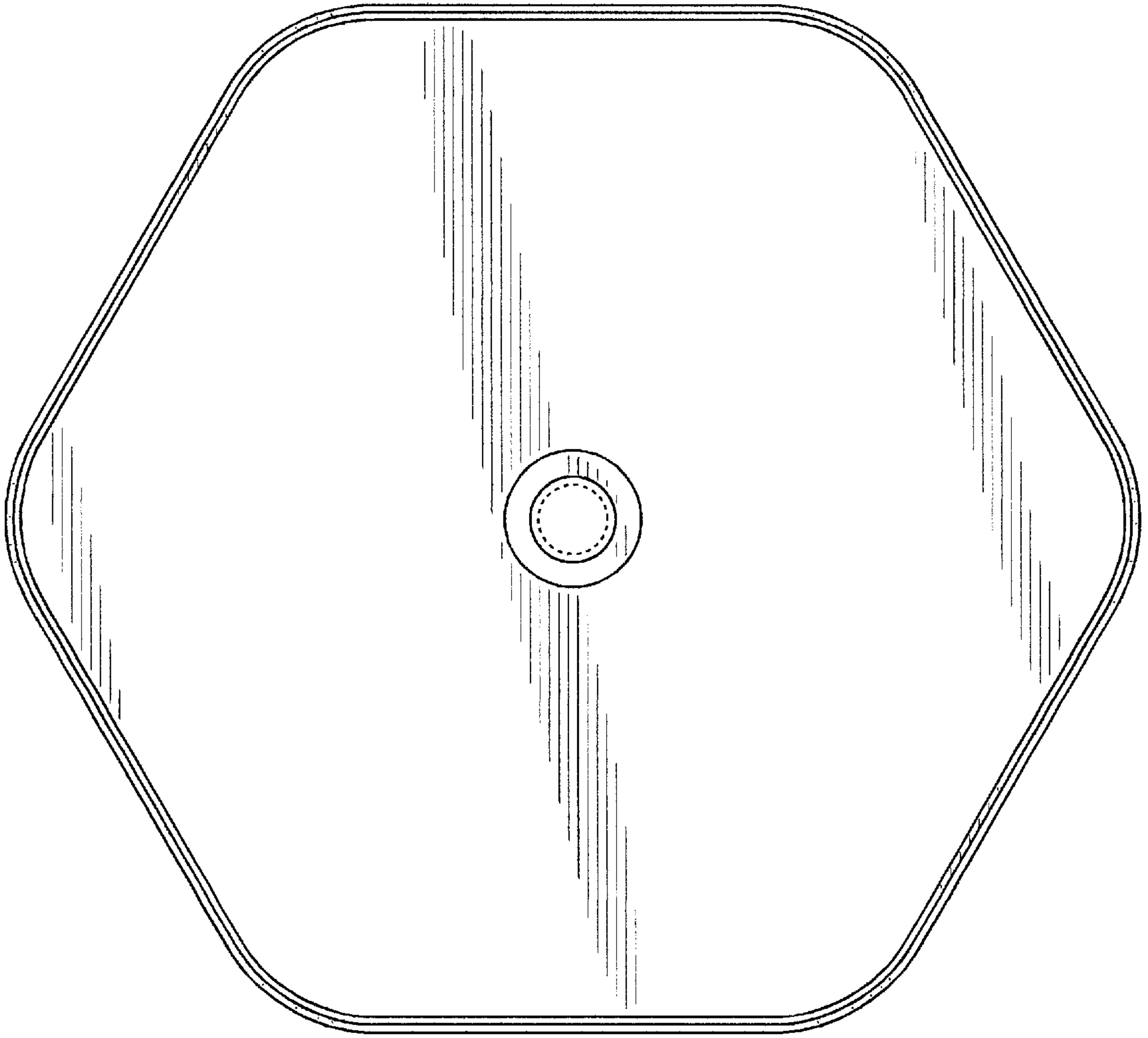


FIG. 5