



US00D484302S

(12) **United States Design Patent**  
**Dickson**

(10) **Patent No.:** **US D484,302 S**

(45) **Date of Patent:** **\*\* Dec. 30, 2003**

(54) **TRI-CUSHIONING SOCK**

(75) Inventor: **Cindy Jones Dickson**, Mount Airy, NC  
(US)

(73) Assignee: **Renfro Corporation**, Mount Airy, NC  
(US)

(\*\*) Term: **14 Years**

(21) Appl. No.: **29/164,869**

(22) Filed: **Aug. 2, 2002**

(51) **LOC (7) Cl.** ..... **02-04**

(52) **U.S. Cl.** ..... **D2/994; D2/980**

(58) **Field of Search** ..... D2/980, 986, 989,  
D2/994; 66/182, 185, 194; 2/239, 240

(56) **References Cited**

**U.S. PATENT DOCUMENTS**

2,144,563	A	*	1/1939	Davis	.....	66/182
D275,715	S	*	10/1984	Boone	.....	D2/994
D296,494	S	*	7/1988	Woodard	.....	D2/994
D392,795	S	*	3/1998	Ogden	.....	D2/980
D429,879	S	*	8/2000	Cortinovis	.....	D2/989

D430,390 S \* 9/2000 Cortinovis ..... D2/989

\* cited by examiner

*Primary Examiner*—Paula A. Mortimer

(74) *Attorney, Agent, or Firm*—Kilpatrick Stockton LLP

(57) **CLAIM**

An ornamental design for a tri-cushioning sock, as shown and described.

**DESCRIPTION**

FIG. 1 is a first front perspective view of a tri-cushioning sock according to an embodiment of the present invention having distinct areas at or about the toe, the heel and the ankle of a wearer's foot, wherein those three areas can be made of different materials, e.g., cotton, acrylic, tactel, and nylon;

FIG. 2 is a back side perspective view thereof;

FIG. 3 is a right side view thereof;

FIG. 4 is a left side view thereof;

FIG. 5 is a second front perspective view thereof with the sock in an alternative position; and,

FIG. 6 is a bottom perspective view thereof.

The portions showing broken lines are not part of the claimed invention, but are included to show environment.

**1 Claim, 2 Drawing Sheets**

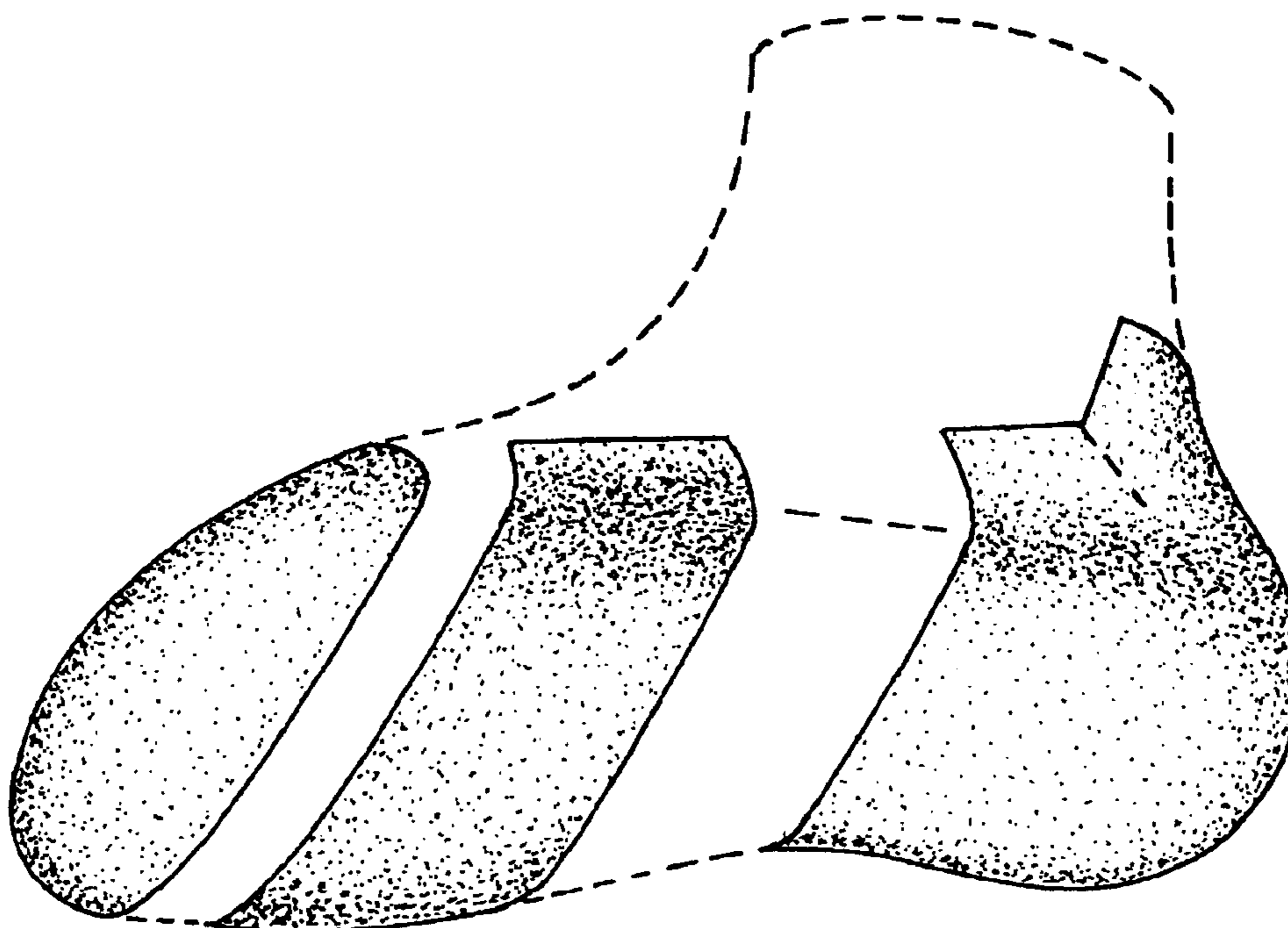


FIG. 1

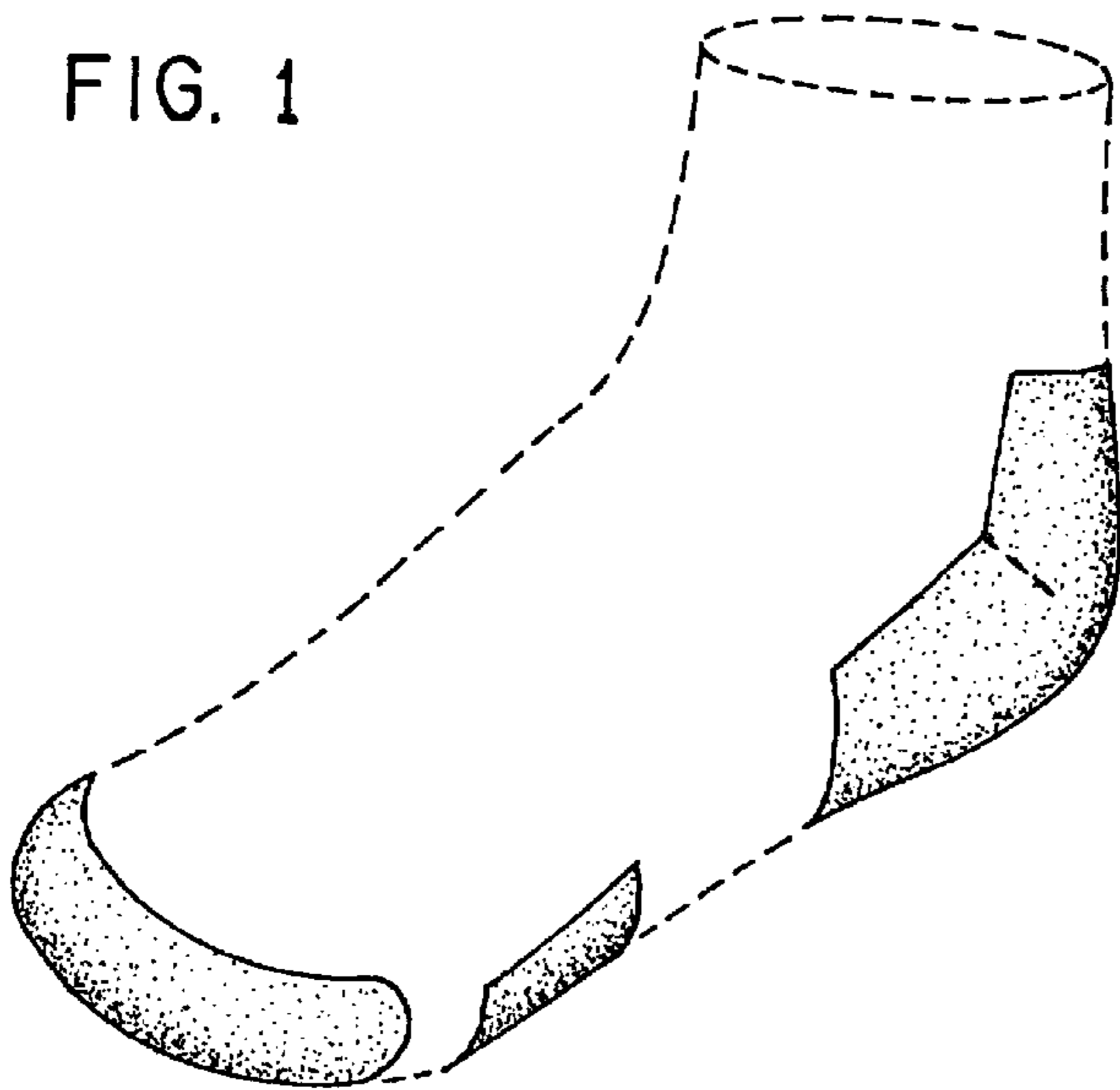


FIG. 2

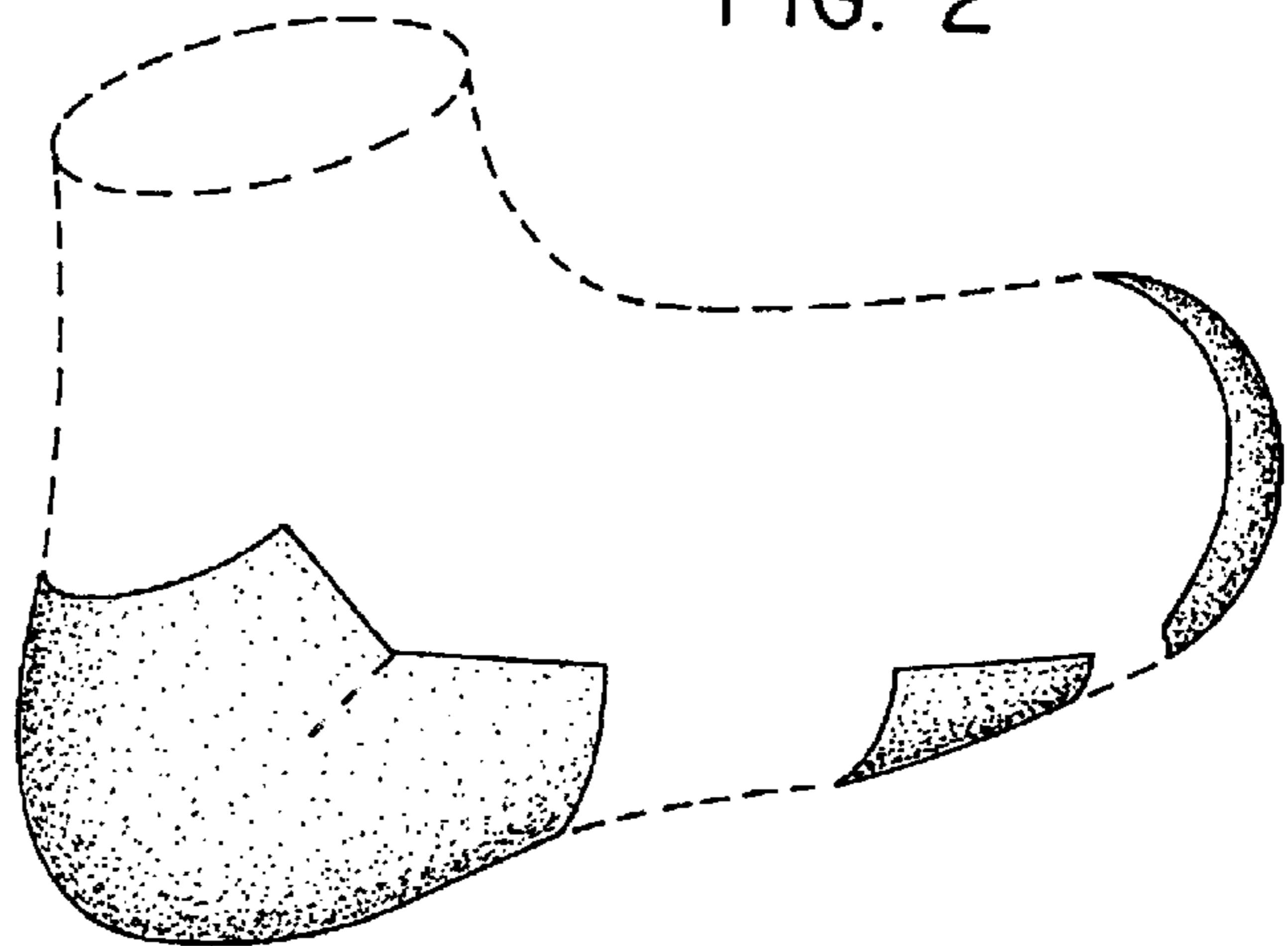


FIG. 3

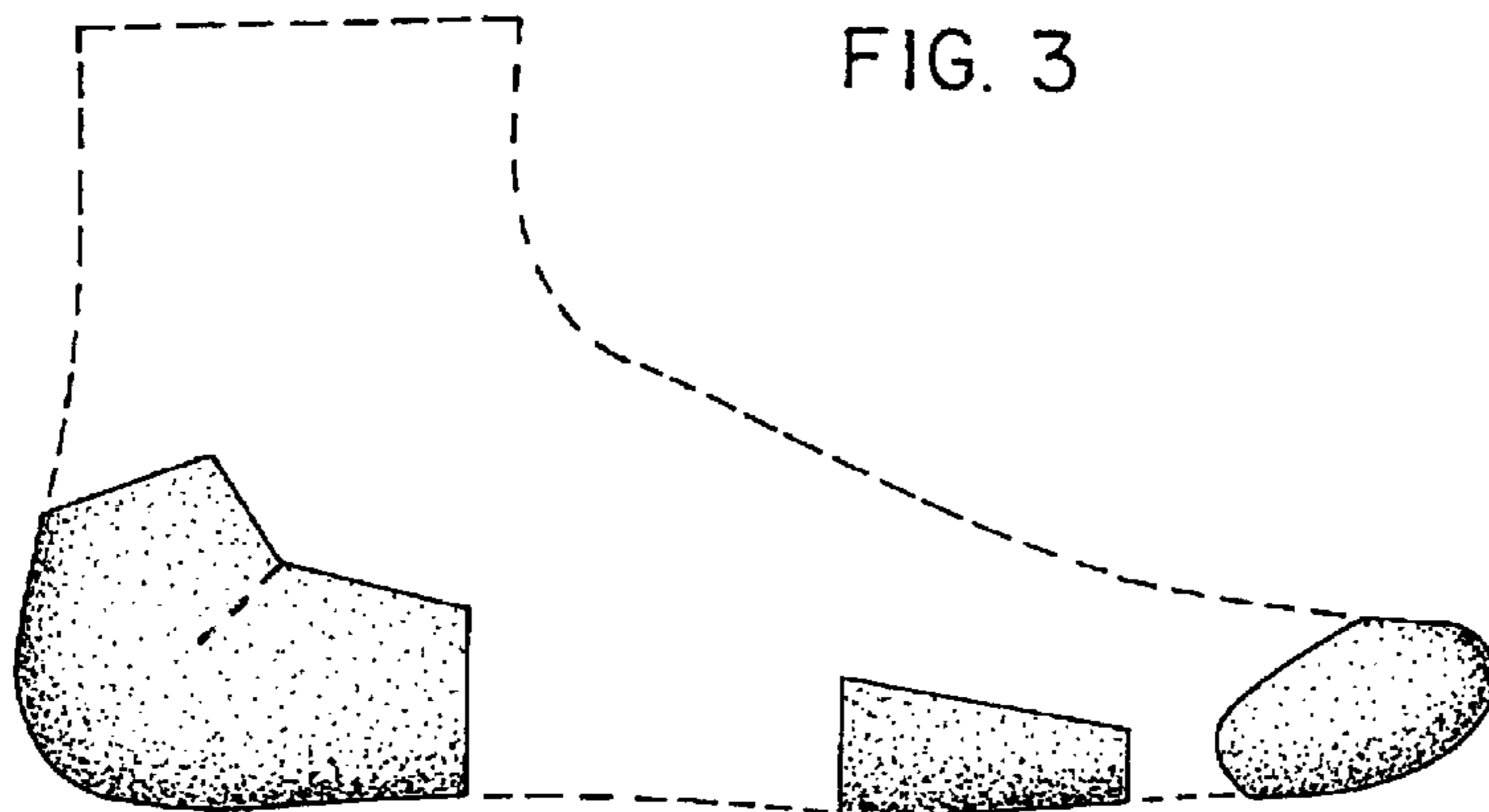


FIG. 4

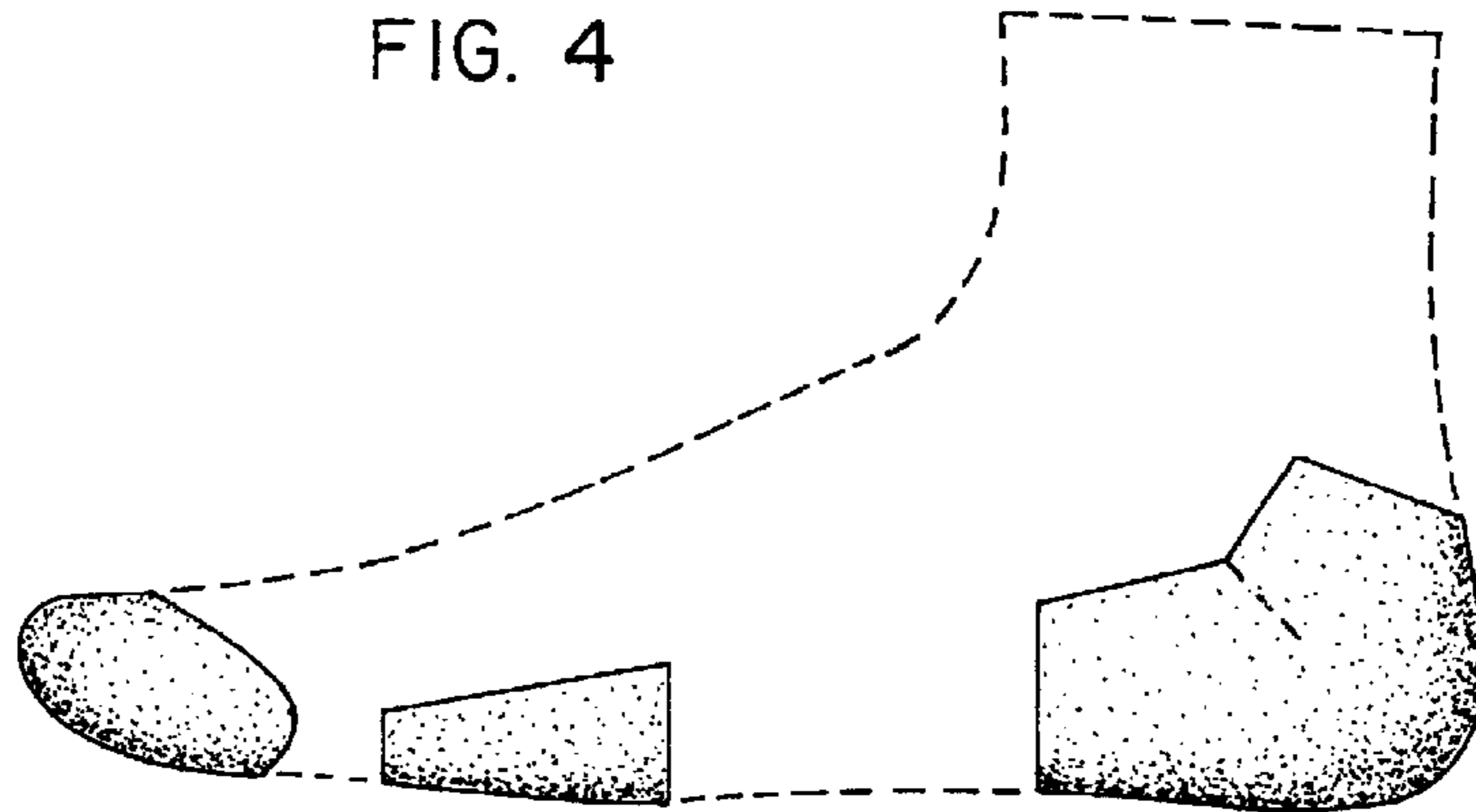


FIG. 5

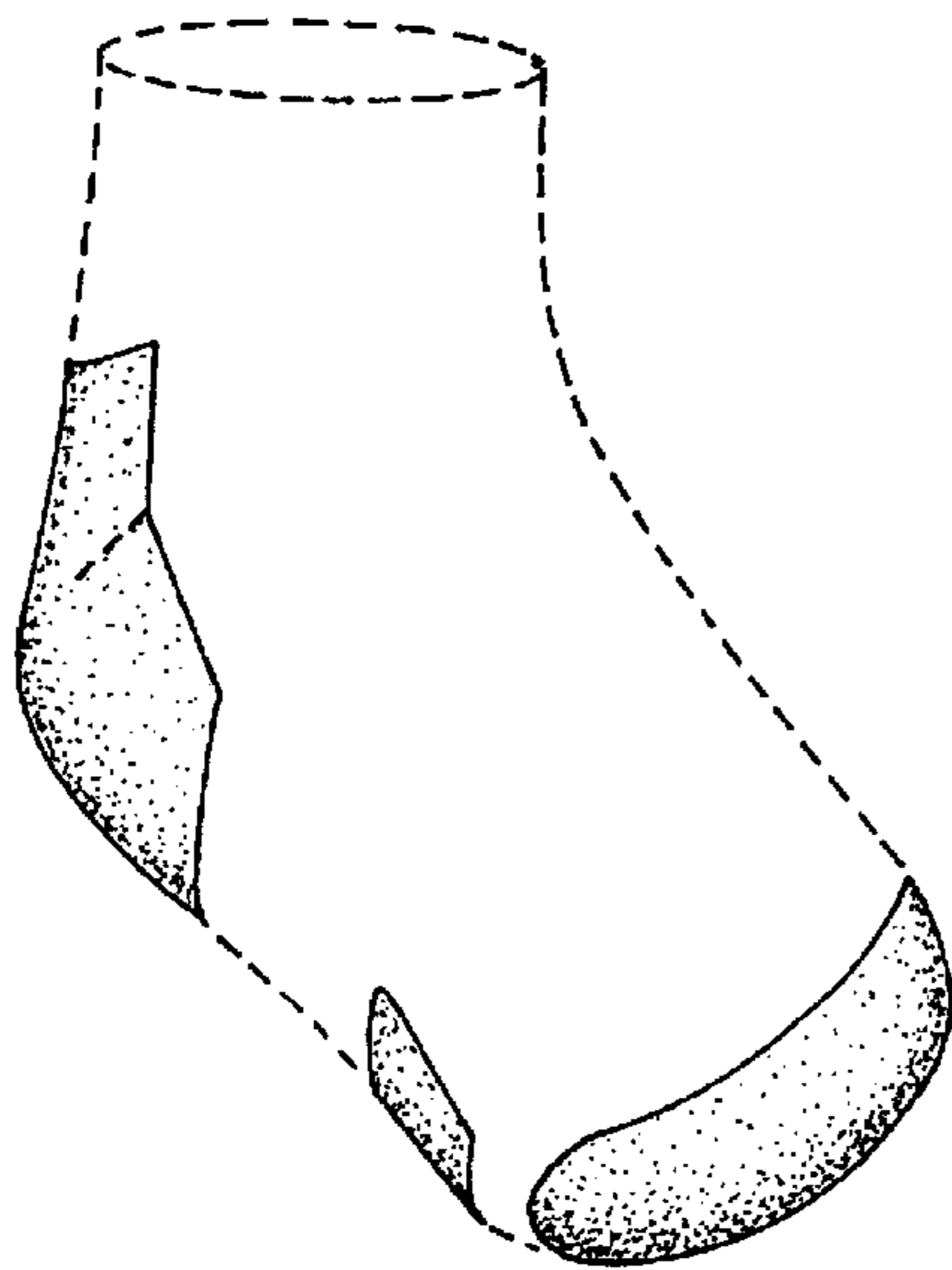


FIG. 6

