



US00D484299S

(12) **United States Design Patent**
Van Diepen et al.

(10) **Patent No.:** **US D484,299 S**

(45) **Date of Patent:** **** Dec. 30, 2003**

(54) **SHOE INSERT**

(75) **Inventors:** **Jacobus Simon Petrus Van Diepen,**
Slough (GB); **Ruan Jones,** Hull (GB)

(73) **Assignee:** **Reckitt Benckiser (UK) Limited,**
Slough (GB)

(**) **Term:** **14 Years**

(21) **Appl. No.:** **29/166,602**

(22) **Filed:** **Aug. 28, 2002**

(30) **Foreign Application Priority Data**

Feb. 28, 2002 (GB) 3001843

(51) **LOC (7) Cl.** **02-99**

(52) **U.S. Cl.** **D2/961**

(58) **Field of Search** D2/946, 961; 36/43,
36/44, 69, 71, 81, 88, 91, 92, 145-147,
154, 155, 166, 173, 174, 180

(56) **References Cited**

U.S. PATENT DOCUMENTS

D380,290 S * 7/1997 Nakagawa D2/961

D385,394 S * 10/1997 Passke et al. D2/961
D386,290 S * 11/1997 Passke et al. D2/961
D386,894 S * 12/1997 Passke et al. D2/961
D403,146 S * 12/1998 Wong D2/961

* cited by examiner

Primary Examiner—Dominic Simone

(74) *Attorney, Agent, or Firm*—Akin, Gump, Strauss,
Hauer & Feld, L.L.P.

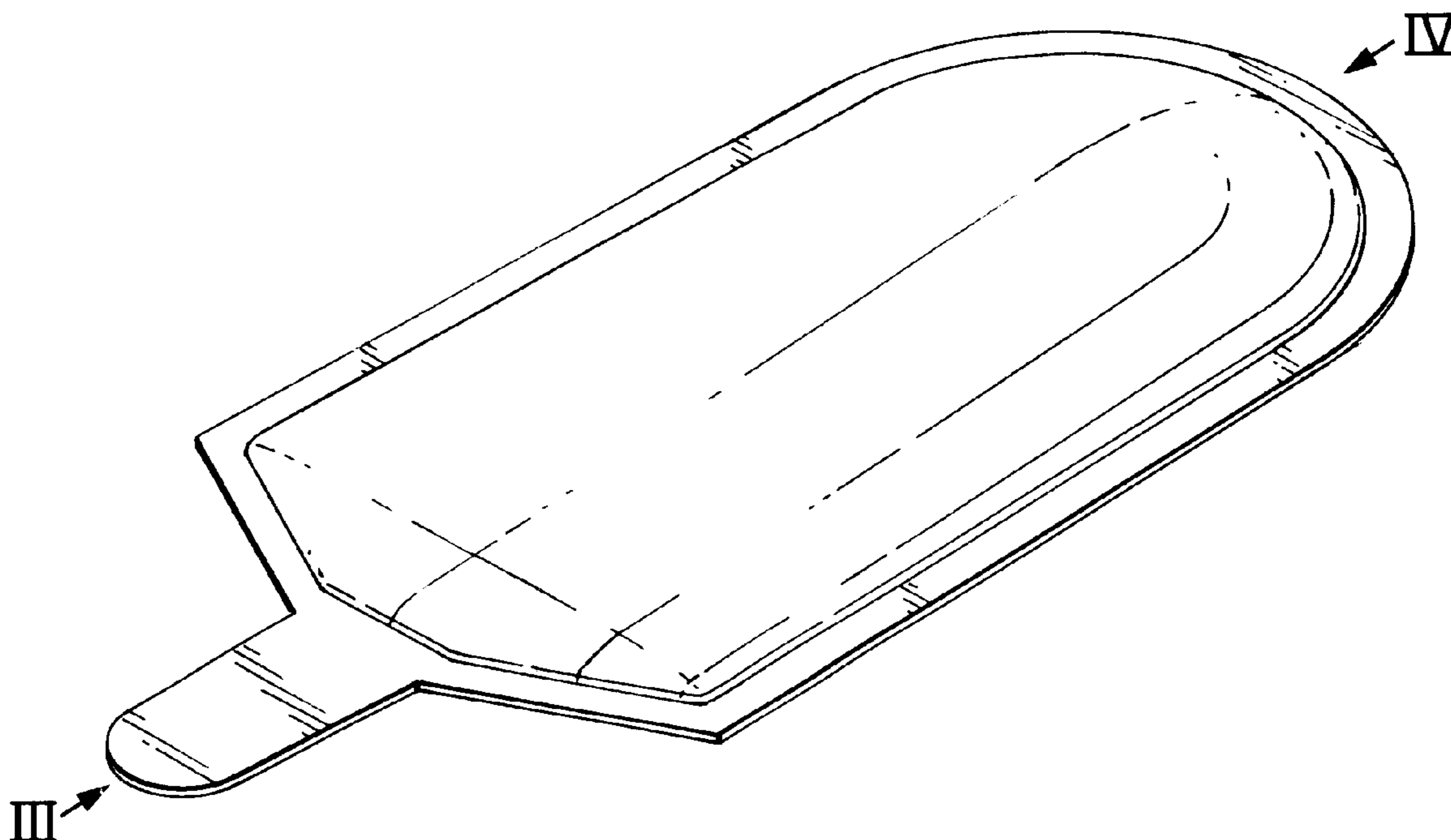
(57) **CLAIM**

The ornamental design for the shoe insert, as shown and described.

DESCRIPTION

FIG. 1 is a front perspective view of the shoe insert in accordance with our new design;
FIG. 2 is a left side elevational view thereof, the right side elevational view being a mirror image;
FIG. 3 is a front view thereof;
FIG. 4 is a rear view thereof;
FIG. 5 is a top plan view thereof; and,
FIG. 6 is a bottom plan view thereof.

1 Claim, 2 Drawing Sheets



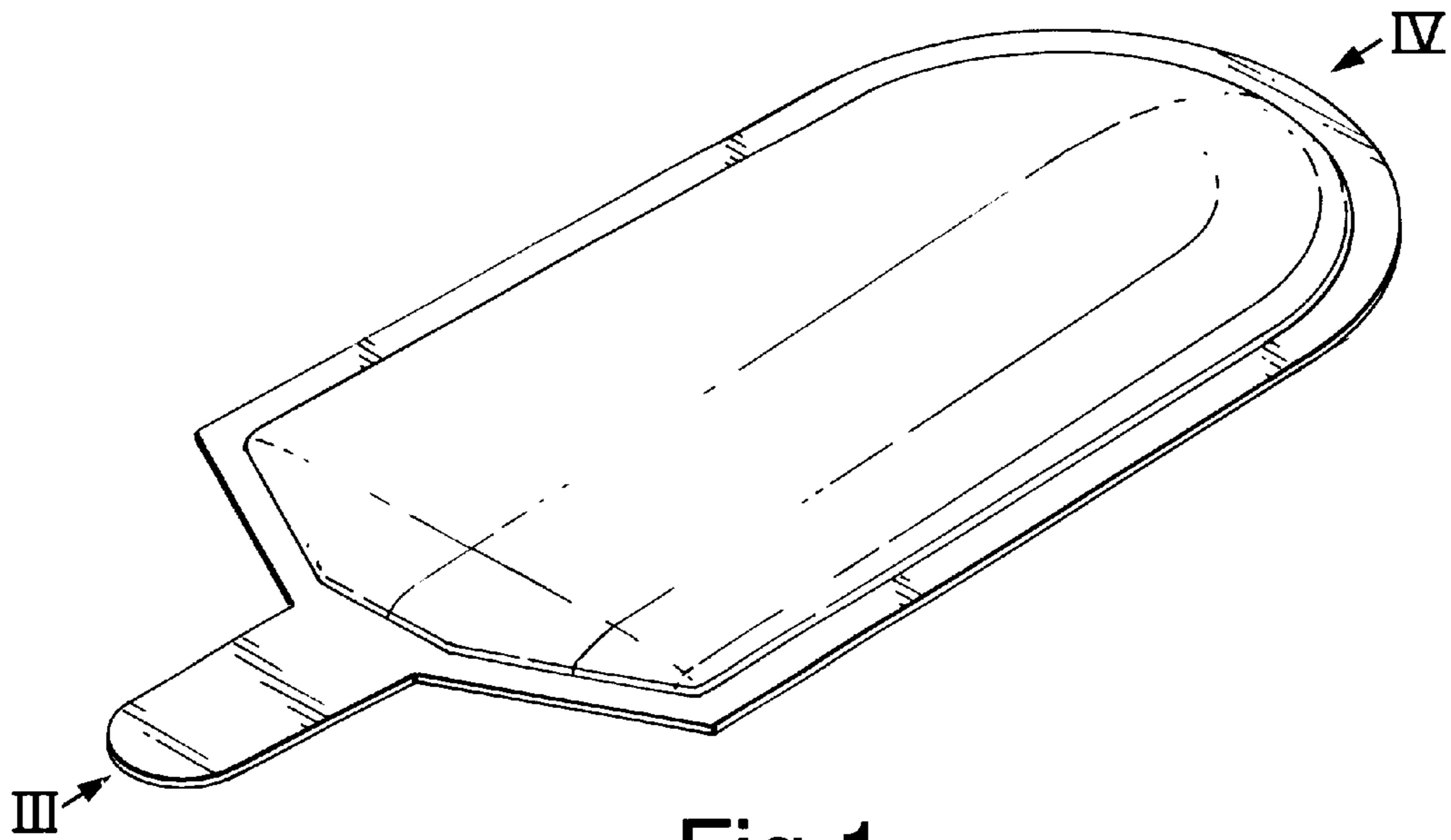


Fig. 1.

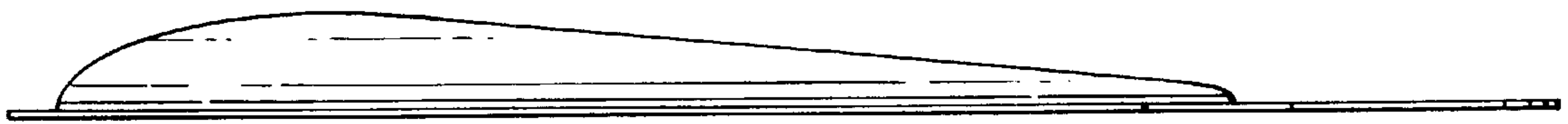


Fig. 2.

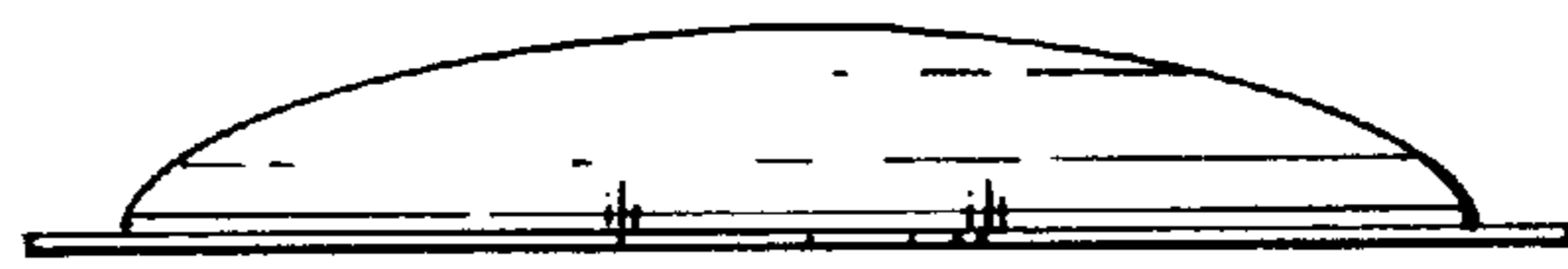


Fig. 3.

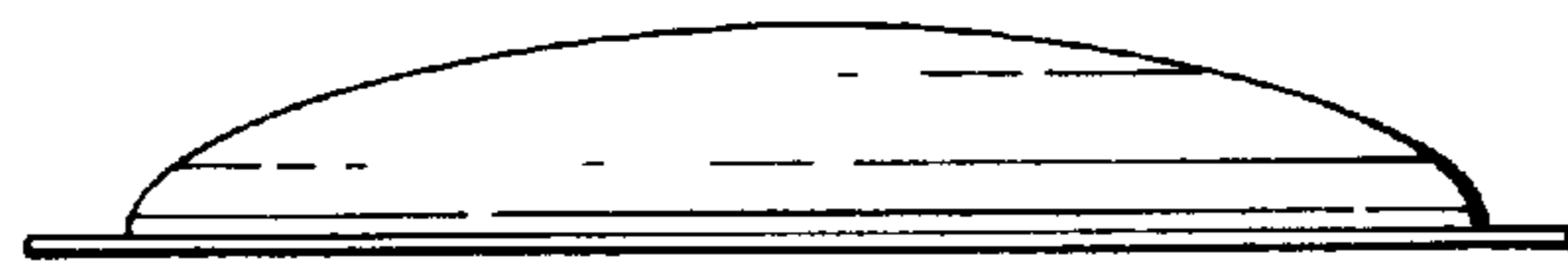


Fig. 4.

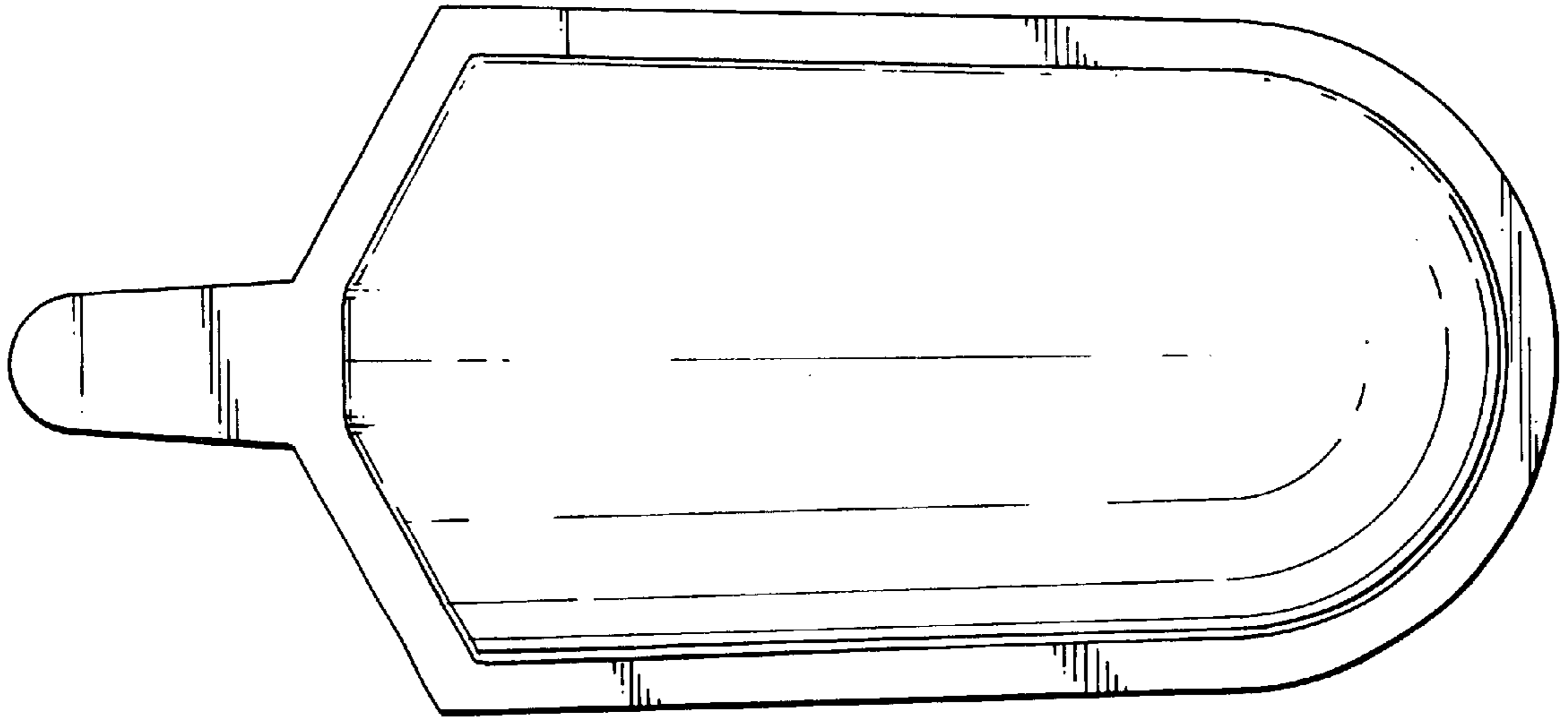


Fig.5.

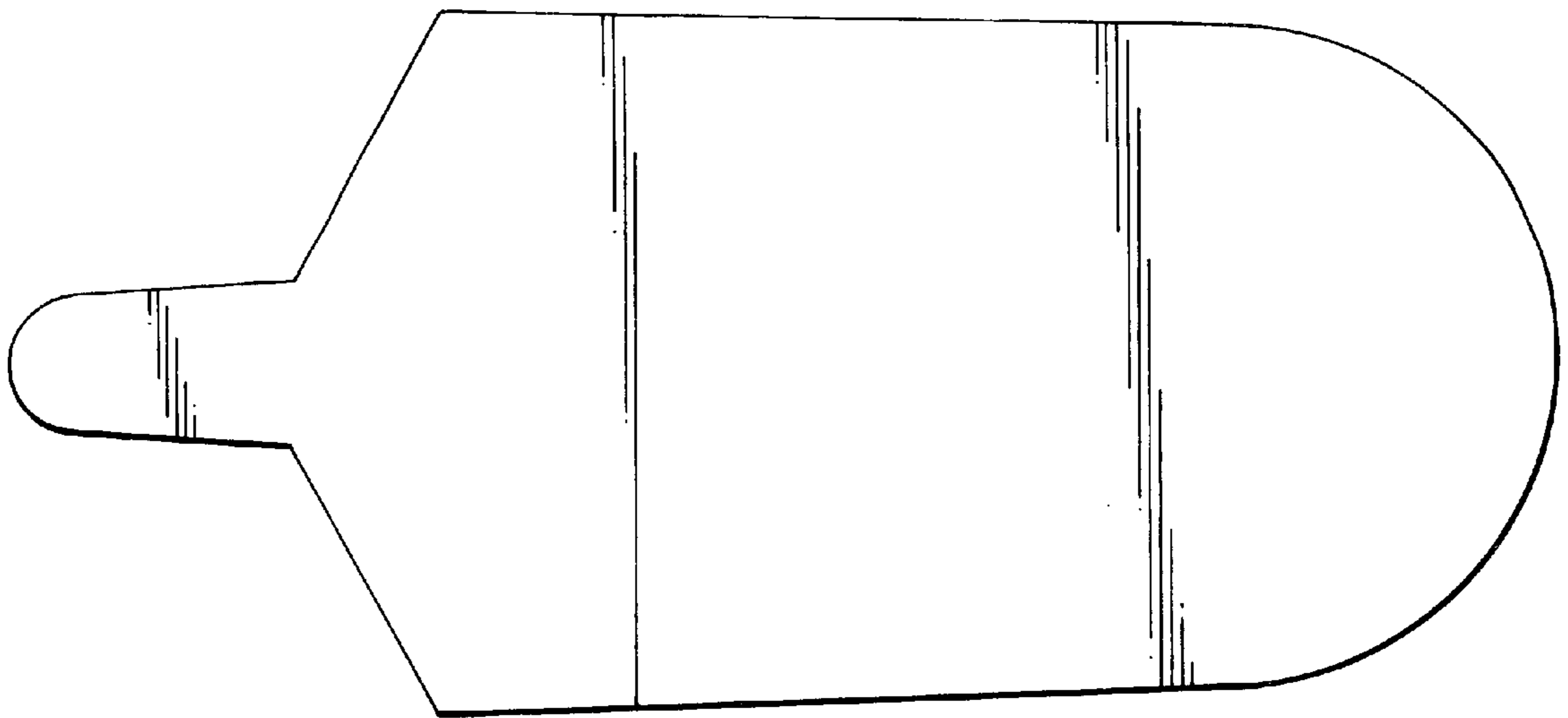


Fig.6.