



US00D484296S

(12) **United States Design Patent**
Newman

(10) **Patent No.:** **US D484,296 S**

(45) **Date of Patent:** **** Dec. 30, 2003**

(54) **PROTRUSIONS ON A BELT**

(75) Inventor: **Kirk B. Newman**, Sandy, UT (US)

(73) Assignee: **Crown American, LLC**, Idaho Falls, ID (US)

(**) Term: **14 Years**

(21) Appl. No.: **29/166,643**

(22) Filed: **Sep. 3, 2002**

(51) **LOC (7) Cl.** **02-07**

(52) **U.S. Cl.** **D2/627**

(58) **Field of Search** D2/627, 629; D21/683, D21/805; D24/190; 2/311, 338; 128/100.1, 96.1; 602/19

5,388,274 A	*	2/1995	Glover et al.	2/338
5,429,587 A		7/1995	Gates	
5,553,759 A		9/1996	McMaster et al.	
5,651,763 A		7/1997	Gates	
5,728,055 A	*	3/1998	Sebastian	602/19
5,762,243 A		6/1998	McMaster et al.	
6,068,606 A		5/2000	Castel et al.	
6,390,348 B1		5/2002	Godshaw et al.	

* cited by examiner

Primary Examiner—Paula A. Mortimer

(74) *Attorney, Agent, or Firm*—Sughrue Mion, PLLC

(57) **CLAIM**

The ornamental design for the protrusions on a belt, as shown and described.

DESCRIPTION

FIG. 1 is a perspective view of the front, right, and top sides of the protrusions on a belt showing my new design; FIG. 2 is a front elevational view thereof; FIG. 3 is a left side elevational view thereof, the right side being a mirror image; FIG. 4 is a top plan view thereof; and, FIG. 5 is a bottom view thereof.

In FIGS. 1–5, the rear surface of the protrusions on a belt, which does not constitute an integral part of the claimed design, is not illustrated. In FIGS. 1–5, any broken line illustration of environmental structure in the drawings is not part of the claimed design.

(56) **References Cited**

U.S. PATENT DOCUMENTS

3,119,117 A	*	1/1964	Grubman	D2/102
D242,173 S	*	11/1976	Evans	D2/627 X
4,420,103 A		12/1983	Douglass	
D289,785 S	*	5/1987	Lindsey	D21/683
D296,919 S	*	7/1988	Faulconer et al.	D21/805
4,847,919 A		7/1989	Hwang et al.	
5,168,576 A		12/1992	Krent et al.	
5,178,163 A		1/1993	Yewer, Jr.	
5,228,609 A		7/1993	Gregory	
5,240,156 A		8/1993	Sicotte et al.	
D352,114 S	*	11/1994	Nicholson	D24/190
5,361,955 A		11/1994	Gregory	
D353,890 S	*	12/1994	McKeel	D24/190

1 Claim, 2 Drawing Sheets

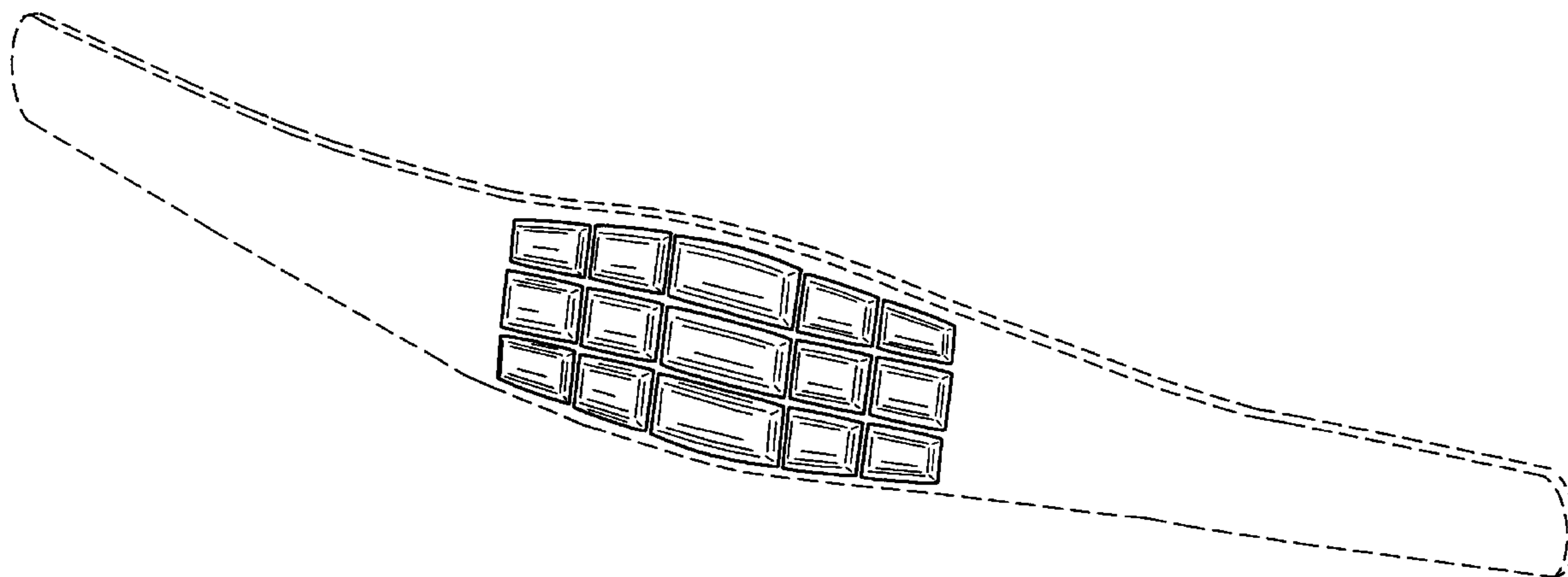


FIG. 1

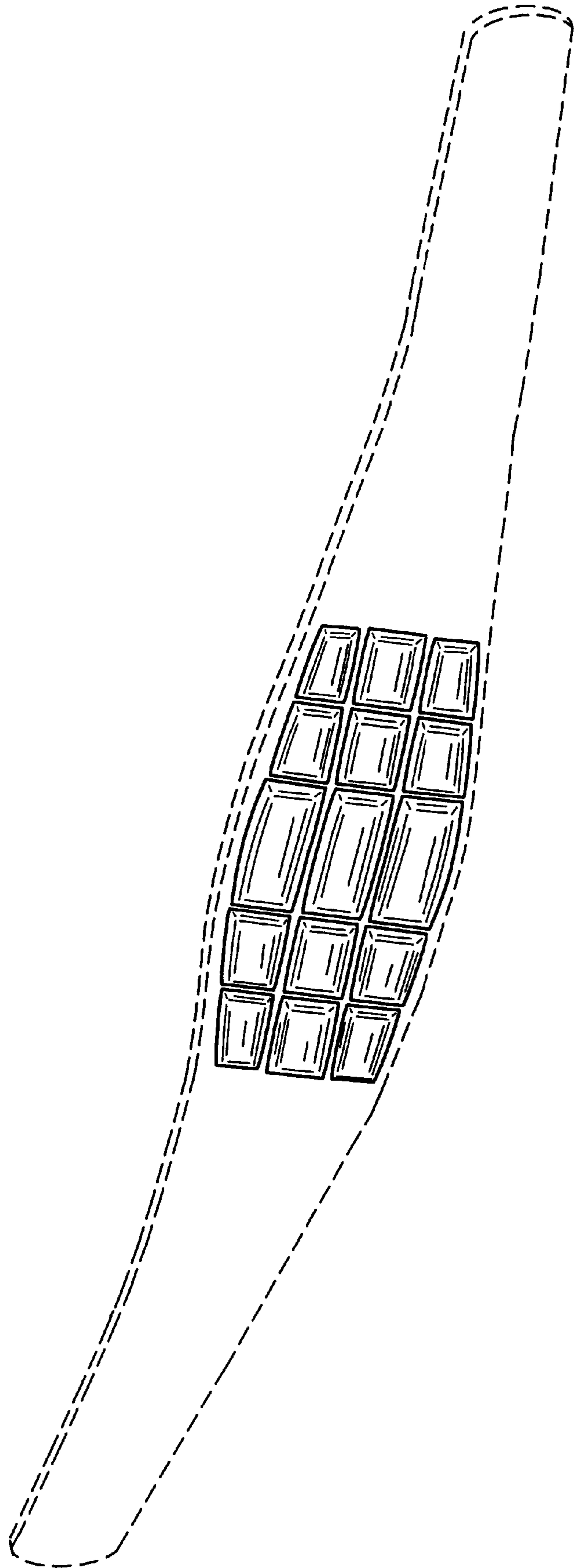


FIG. 2

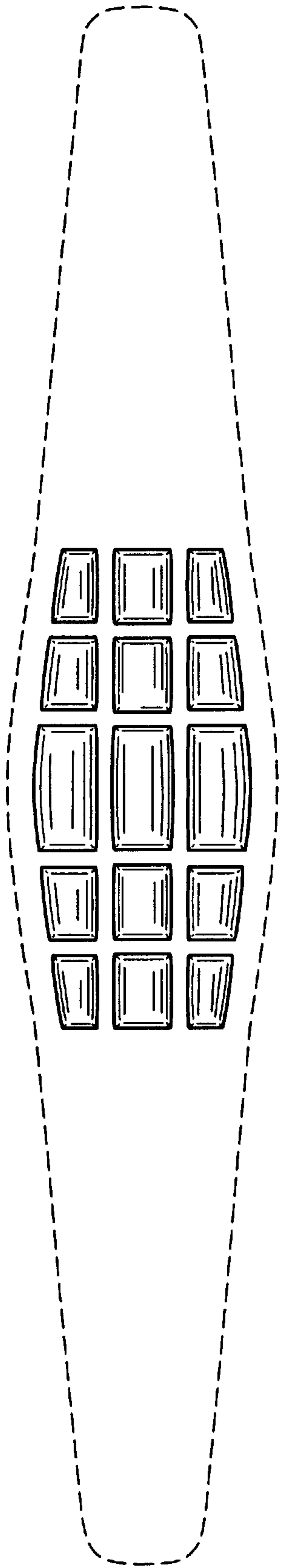


FIG. 3

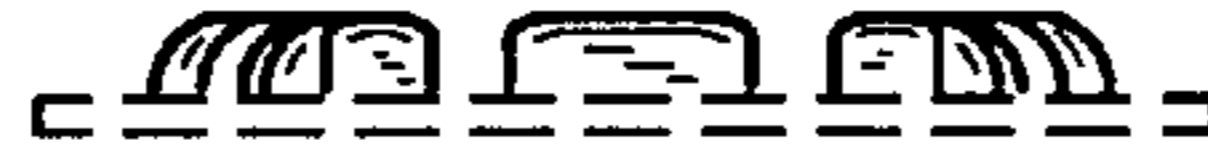


FIG. 4



FIG. 5

