



US00D484295S

(12) **United States Design Patent**  
**Arceta**

(10) **Patent No.:** **US D484,295 S**

(45) **Date of Patent:** **\*\* Dec. 23, 2003**

- (54) **NARROW-AISLE RESTOCKING CART**
- (75) **Inventor:** **Radmond Arceta**, Winchester, VA (US)
- (73) **Assignee:** **Rubbermaid Commercial Products LLC**, Winchester, VA (US)
- (\*\*) **Term:** **14 Years**
- (21) **Appl. No.:** **29/167,681**
- (22) **Filed:** **Sep. 20, 2002**

- 4,184,618 A 1/1980 Jones
- 4,274,567 A 6/1981 Sawyer
- 4,376,502 A 3/1983 Cohen
- 4,450,994 A 5/1984 Holland
- 4,493,492 A 1/1985 Balabanovan
- 4,505,495 A 3/1985 Foss et al.
- D284,610 S 7/1986 Harris et al.
- 4,643,280 A 2/1987 Hensley
- 4,702,402 A 10/1987 Ferri
- 4,765,077 A 8/1988 Rosenthal et al.
- 4,773,175 A 9/1988 Larsen
- 4,848,117 A 7/1989 Welborn et al.

(List continued on next page.)

- (51) **LOC (7) Cl.** ..... **12-02**
- (52) **U.S. Cl.** ..... **D34/17; D34/21**
- (58) **Field of Search** ..... **D34/12-27; 280/79.11, 280/79.2, 79.3, 47.24, 47.34, 47.35, 33.997; 211/134, 49**

*Primary Examiner*—Kay H. Chin  
(74) *Attorney, Agent, or Firm*—Foley & Lardner

(57) **CLAIM**

The ornamental design for a narrow-aisle restocking cart, as shown and described.

(56) **References Cited**

**U.S. PATENT DOCUMENTS**

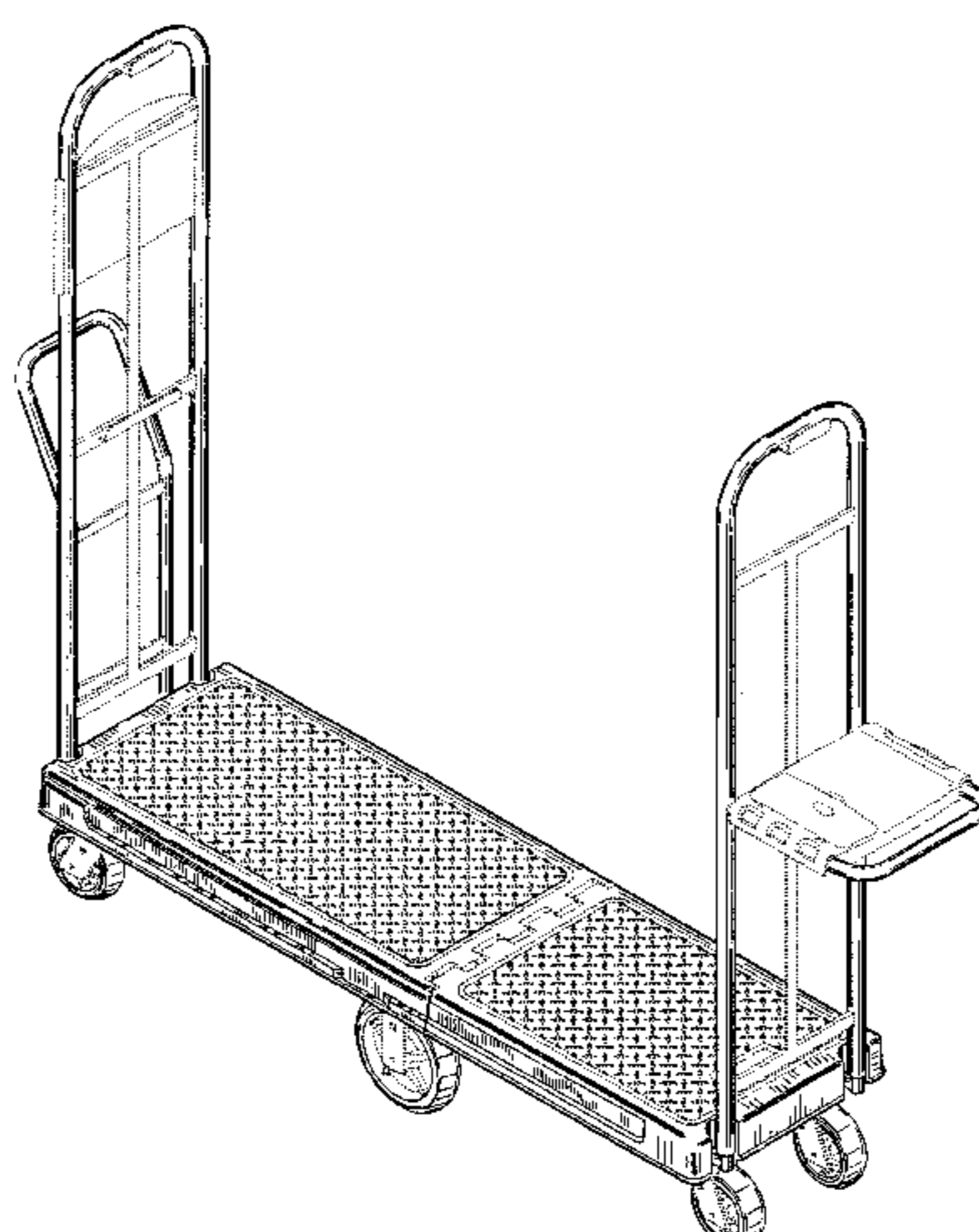
- 465,489 A 12/1891 Nutting
- 612,523 A 10/1898 Martin
- 2,572,780 A 10/1951 Tackenberg
- 2,673,671 A 3/1954 Williams
- 2,723,474 A 11/1955 Minter
- 2,885,090 A 5/1959 Forman et al.
- 2,888,761 A 6/1959 Miller
- 2,953,388 A 9/1960 Keller et al.
- 3,052,484 A 9/1962 Huffman et al.
- D196,693 S 10/1963 Shape
- RE25,616 E 7/1964 Stanley
- 3,218,748 A 11/1965 Hopp
- 3,305,243 A 2/1967 Manfredi, Jr. et al.
- 3,618,329 A 11/1971 Hanson
- 3,702,033 A 11/1972 Coleman
- 3,762,739 A 10/1973 Tabet
- 3,853,329 A 12/1974 McDonald
- 3,856,320 A 12/1974 Blanchard
- 3,879,053 A 4/1975 Chvala
- 3,912,291 A 10/1975 Frisch
- 3,993,319 A 11/1976 Day
- 4,068,855 A 1/1978 Hackett
- 4,077,644 A 3/1978 Roby et al.
- 4,165,088 A 8/1979 Nelson
- 4,166,638 A 9/1979 DePrado

**DESCRIPTION**

FIG. 1 is a top front perspective view of a narrow-aisle restocking cart showing my new design;  
 FIG. 2 is a right side elevation view thereof;  
 FIG. 3 is a left side elevation view thereof;  
 FIG. 4 is a rear elevation view thereof;  
 FIG. 5 is a front elevation view thereof;  
 FIG. 6 is a top plan view thereof;  
 FIG. 7 is a bottom plan view thereof;  
 FIG. 8 is a top front perspective view thereof with some of the environmental structure removed for clarity;  
 FIG. 9 is a right side elevation view of FIG. 8;  
 FIG. 10 is a left side elevation view of FIG. 8;  
 FIG. 11 is a rear elevation view of FIG. 8;  
 FIG. 12 is a front elevation view of FIG. 8;  
 FIG. 13 is a top plan view of FIG. 8; and,  
 FIG. 14 is a bottom plan view of FIG. 8.

The ornamental design which is claimed is shown in solid lines in the drawings. The broken lines in the drawings are for illustrative purposes only and form no part of the claimed design.

**1 Claim, 14 Drawing Sheets**



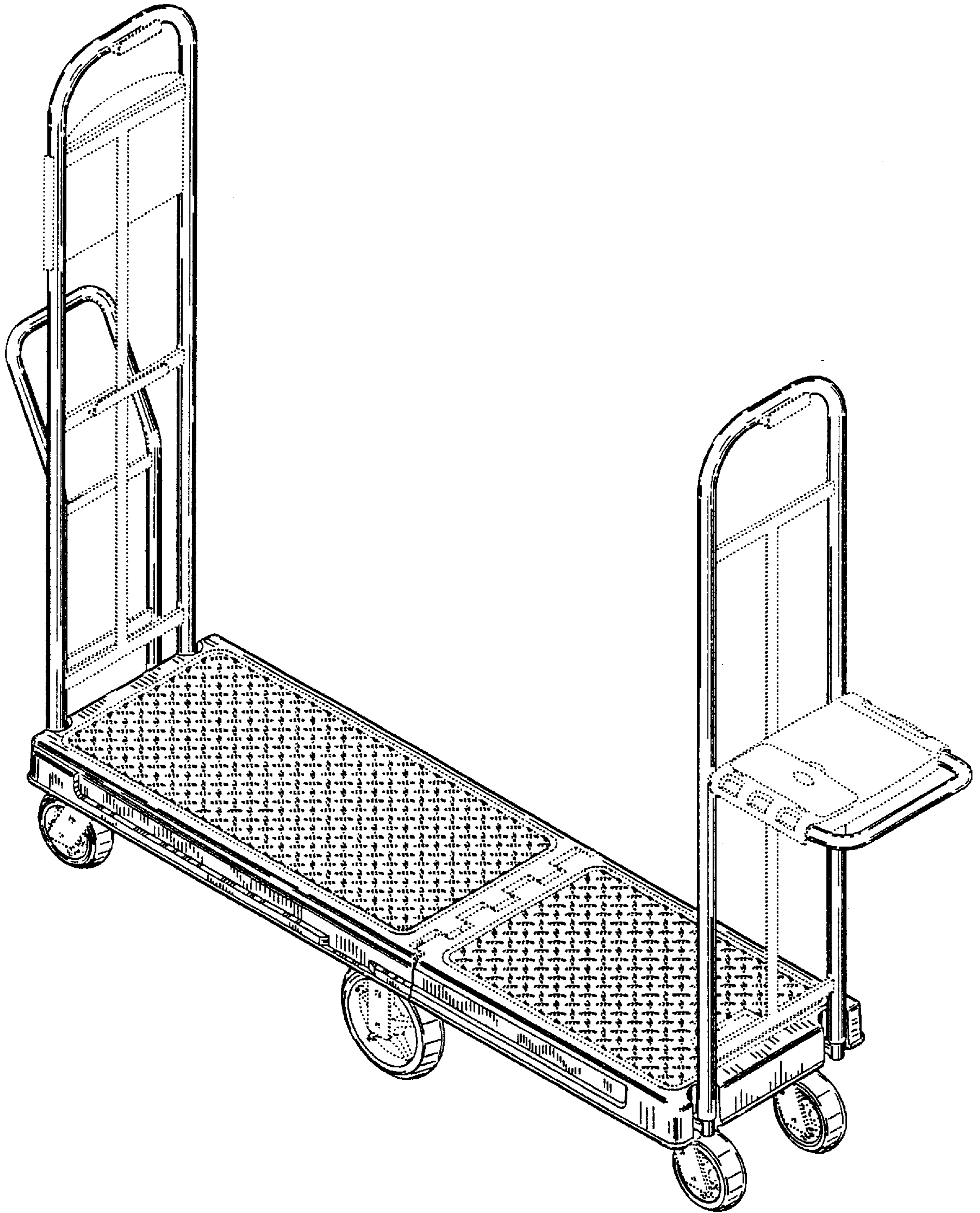
# US D484,295 S

Page 2

## U.S. PATENT DOCUMENTS

4,901,901 A	2/1990	Reitenour	5,913,528 A	6/1999	Kresse et al.
4,978,013 A	12/1990	Hogg	5,915,723 A	6/1999	Austin
4,901,901 A	2/1990	Reitenour	D412,609 S	8/1999	Karp et al.
4,978,013 A	12/1990	Hogg	D417,763 S	12/1999	Monem
4,986,555 A	1/1991	Andreen	6,024,376 A	2/2000	Golichowski et al.
5,048,849 A	9/1991	Matthews	6,036,219 A	3/2000	Oefelein et al.
5,086,960 A	2/1992	Schwietzer	6,042,127 A	3/2000	Rupolo
D326,748 S	6/1992	Kirk	6,076,791 A	6/2000	Rand et al.
5,228,716 A	7/1993	Dahl	6,095,348 A	8/2000	Karashima
5,249,823 A	10/1993	McCoy et al.	6,095,532 A	8/2000	Martin
5,326,117 A	7/1994	Cook	6,135,423 A	10/2000	Johnson
D352,588 S	11/1994	Orphan	6,206,385 B1	3/2001	Kern et al.
D352,589 S	11/1994	Kennedy	6,213,483 B1	4/2001	Gaffney
5,409,245 A	4/1995	Kern et al.	6,364,328 B1	4/2002	Stahler, Sr.
5,476,282 A	12/1995	Dahl	6,378,232 B1	4/2002	Creech
D366,745 S *	1/1996	Kern et al. .... D34/17	6,394,470 B1	5/2002	Shirai
5,494,308 A	2/1996	Southerland	6,453,588 B1	9/2002	Lykens
5,536,034 A	7/1996	Miller	2002/0020989 A1	2/2002	Krawczyk
5,547,205 A	8/1996	do Rosario Sousa de Cabedo	2002/0030337 A1	3/2002	Calmeise et al.
5,548,911 A	8/1996	Myers	2002/0079660 A1	6/2002	Shirai
5,556,118 A	9/1996	Kern et al.	2002/0083628 A1	7/2002	Magid
5,599,031 A	2/1997	Hodges	2002/0117819 A1	8/2002	Calmeise et al.
5,772,236 A	6/1998	Clark	2002/0124445 A1	9/2002	Myers
5,794,953 A	8/1998	Duchene et al.	2002/0153706 A1	10/2002	Yonge et al.
5,887,879 A	3/1999	Chumley	2003/0080523 A1 *	5/2003	Crespo-Ortiz ..... 280/47.34
5,901,482 A	5/1999	Sawyer			

\* cited by examiner



**FIG. 1**

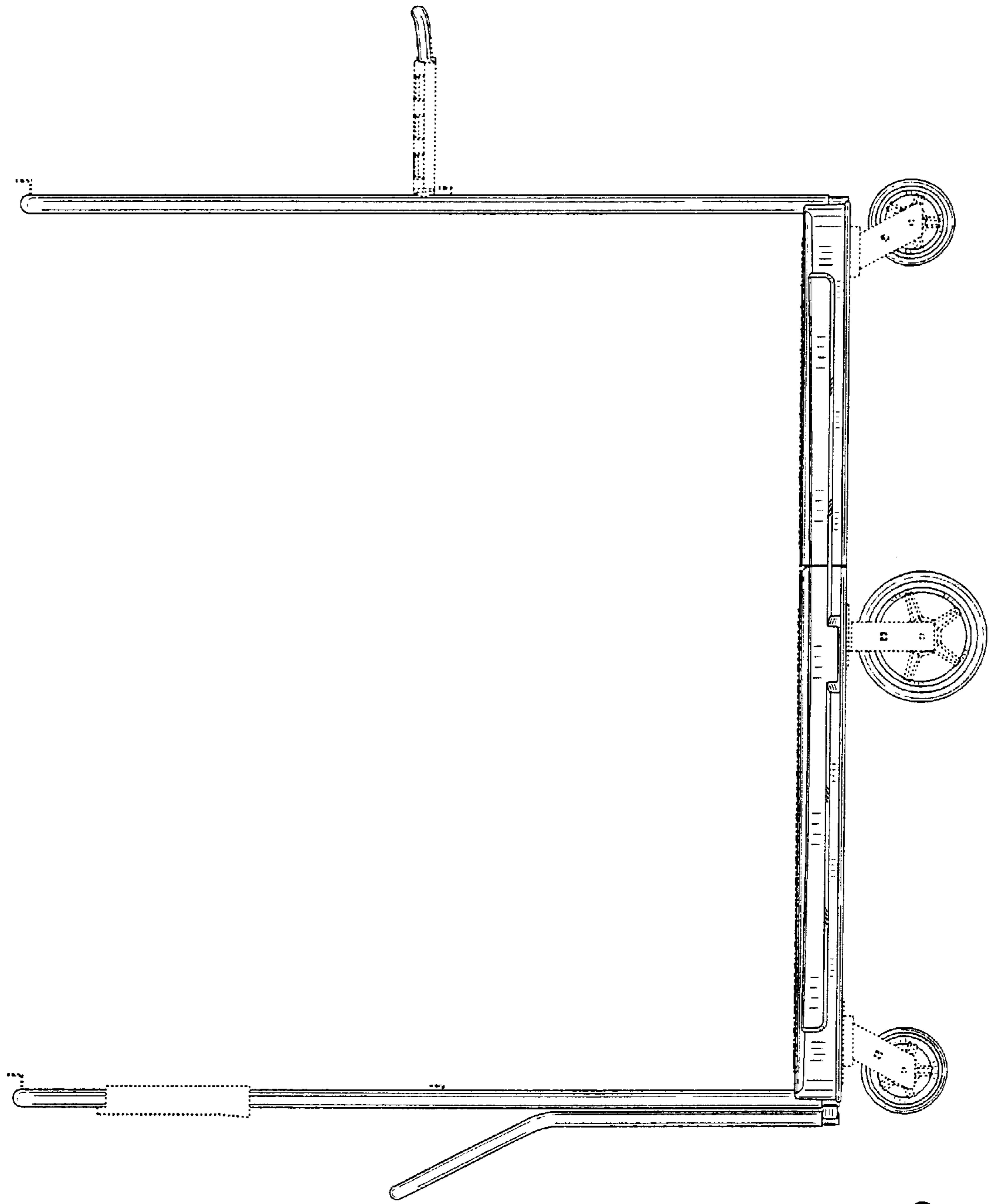


FIG. 2

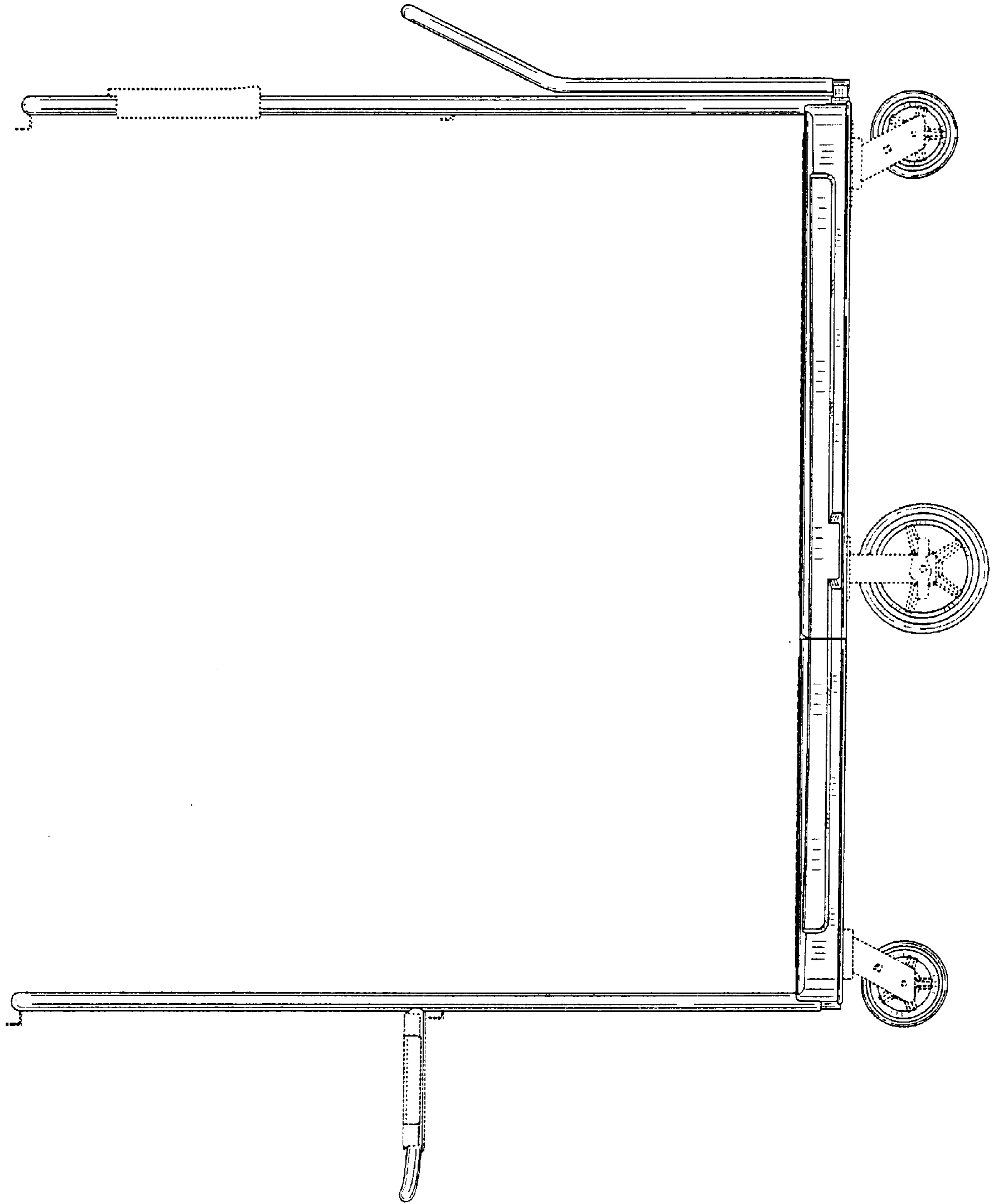
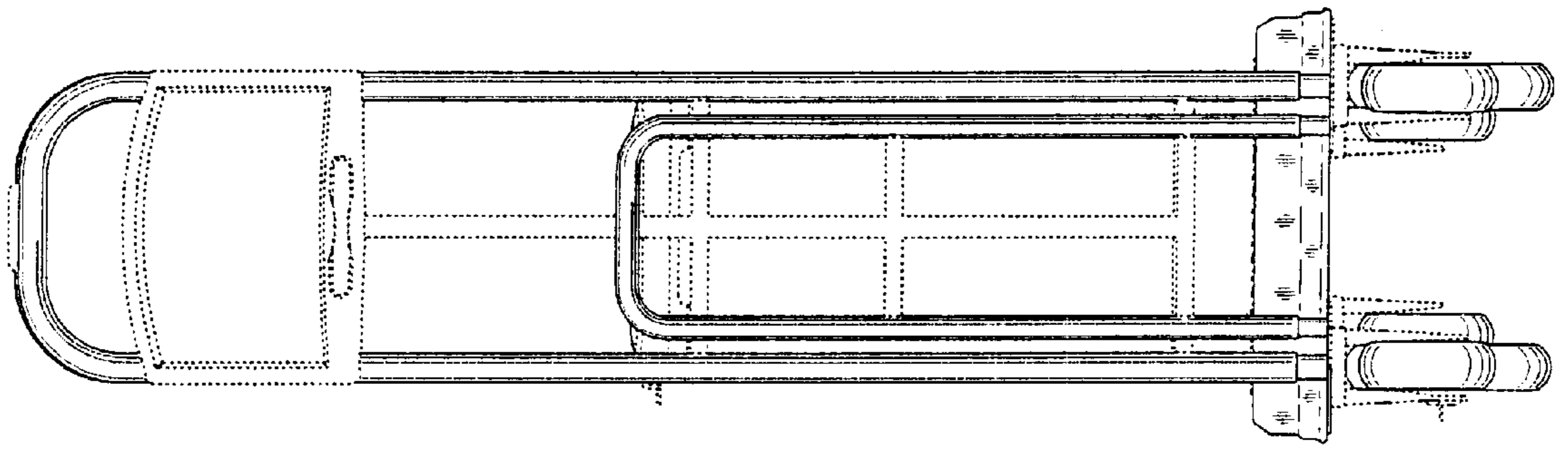
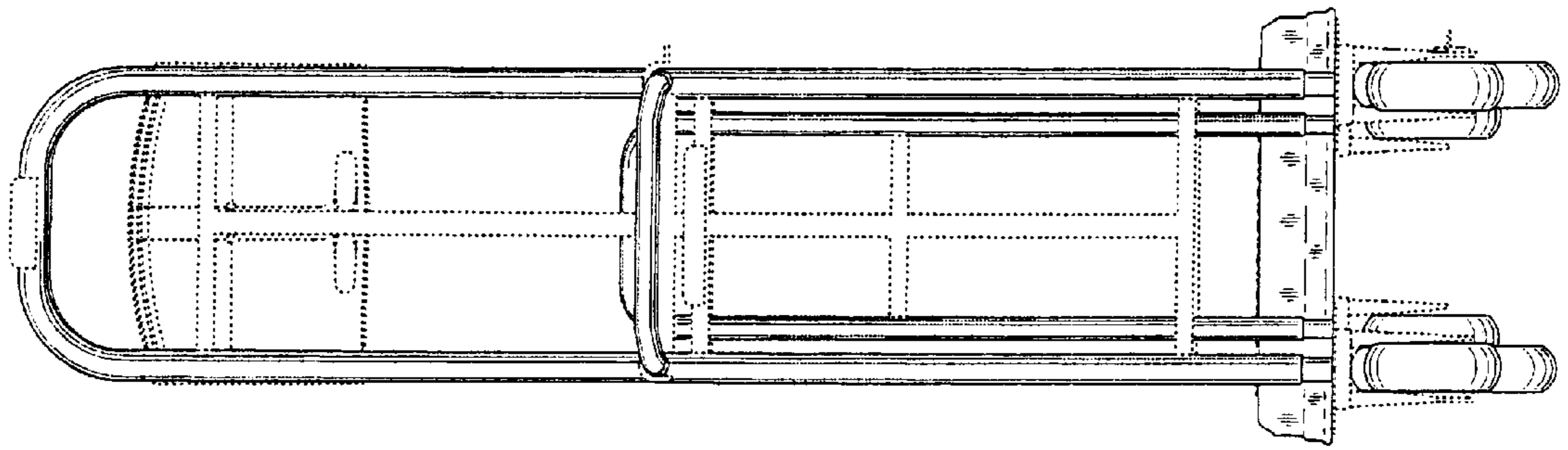


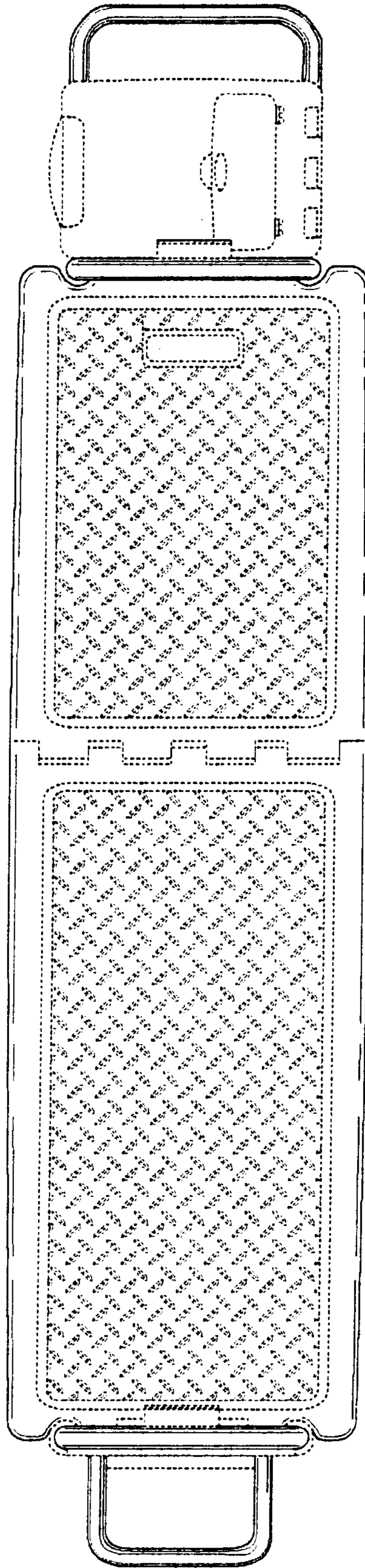
FIG. 3



**FIG. 4**

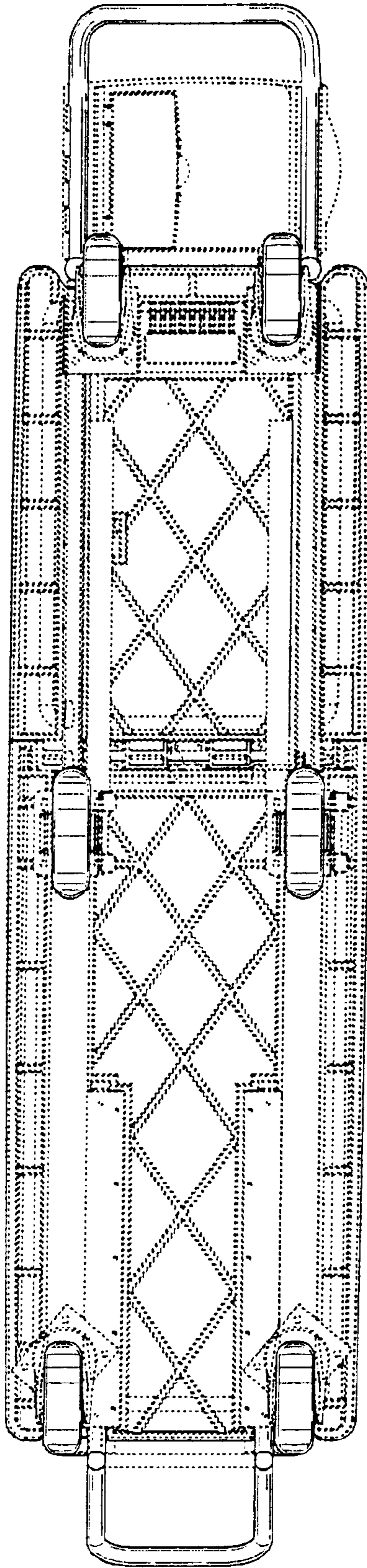


**FIG. 5**

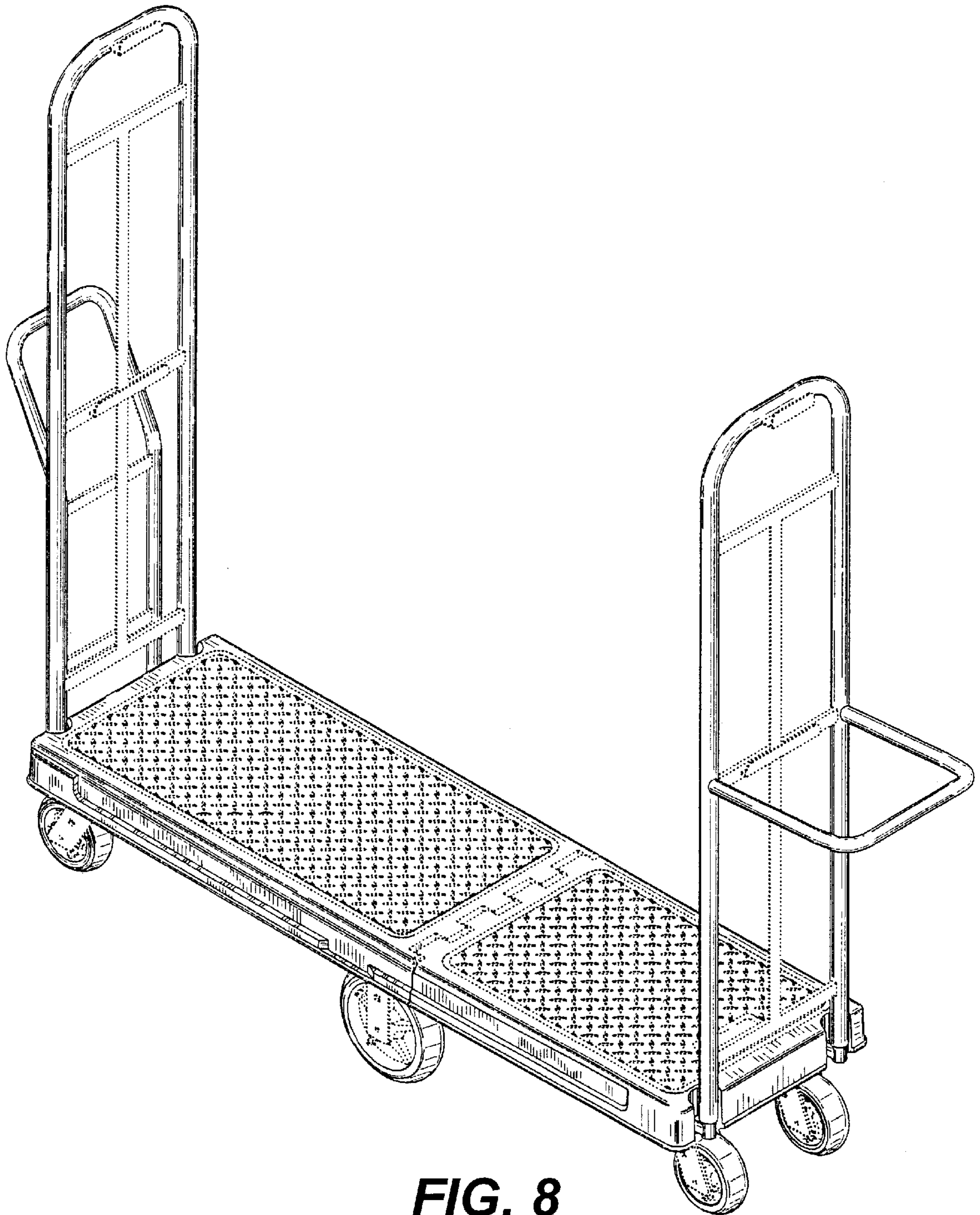


**FIG. 6**

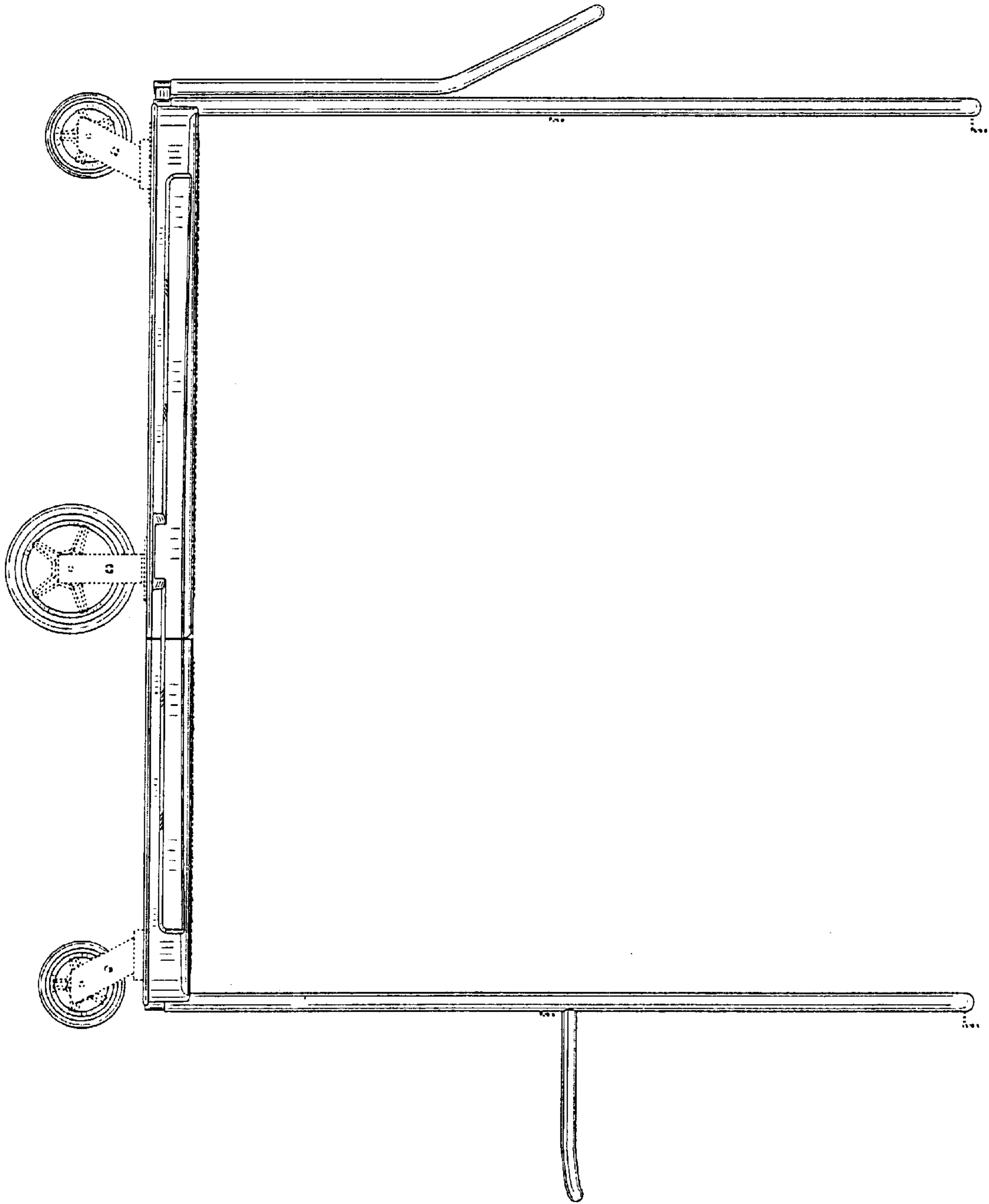




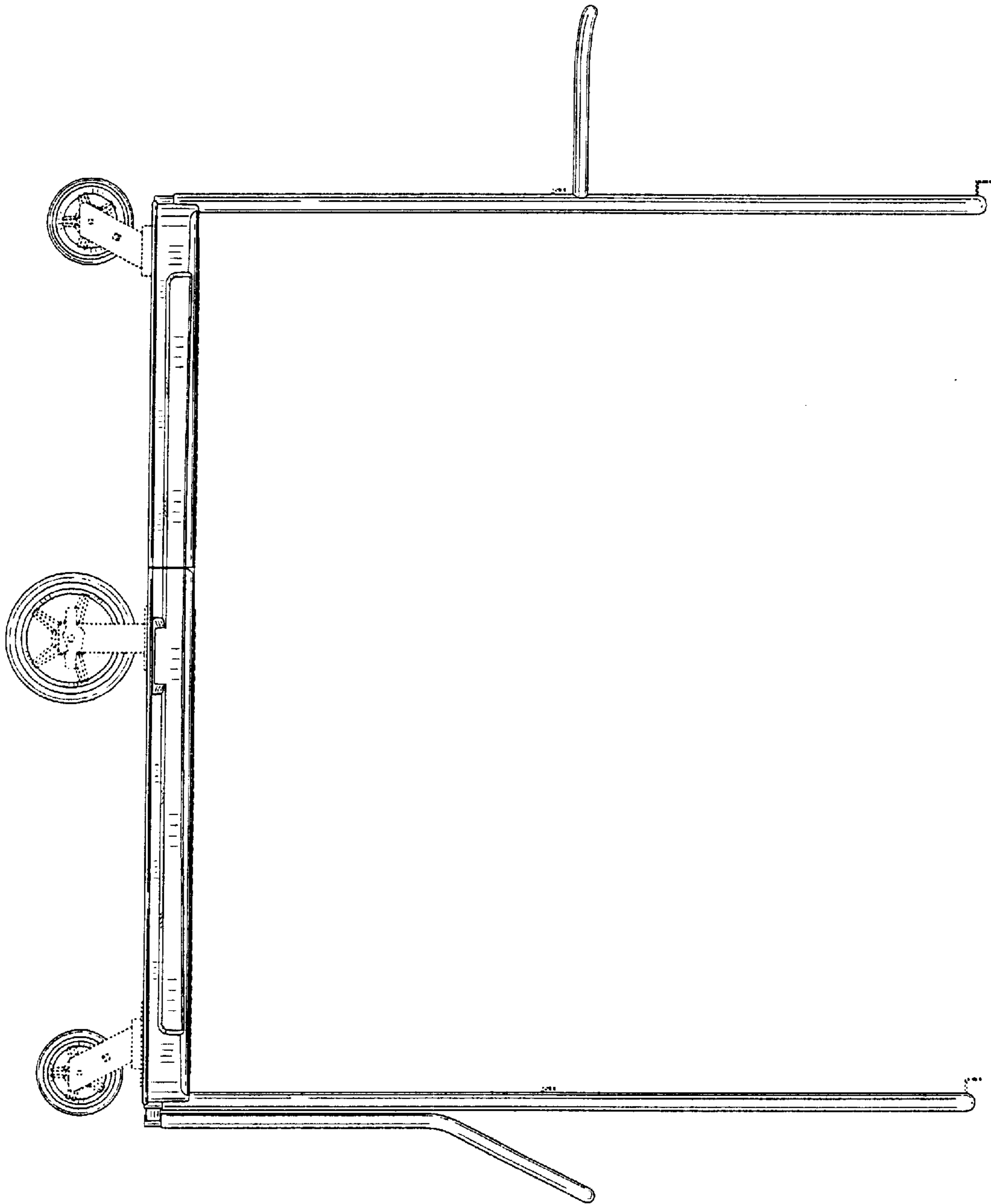
**FIG. 7**



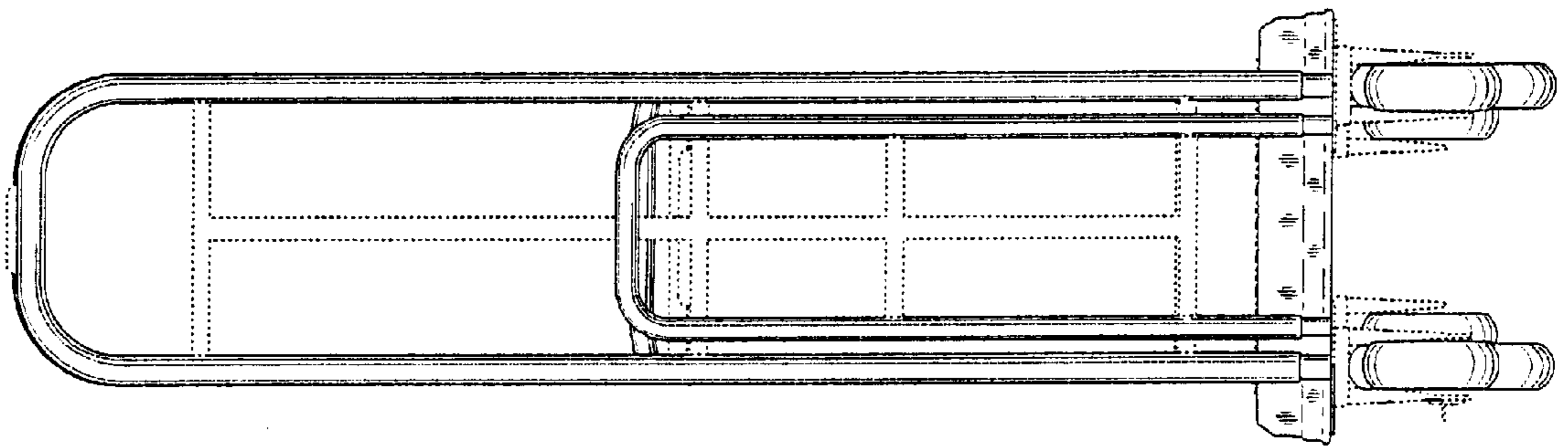
**FIG. 8**



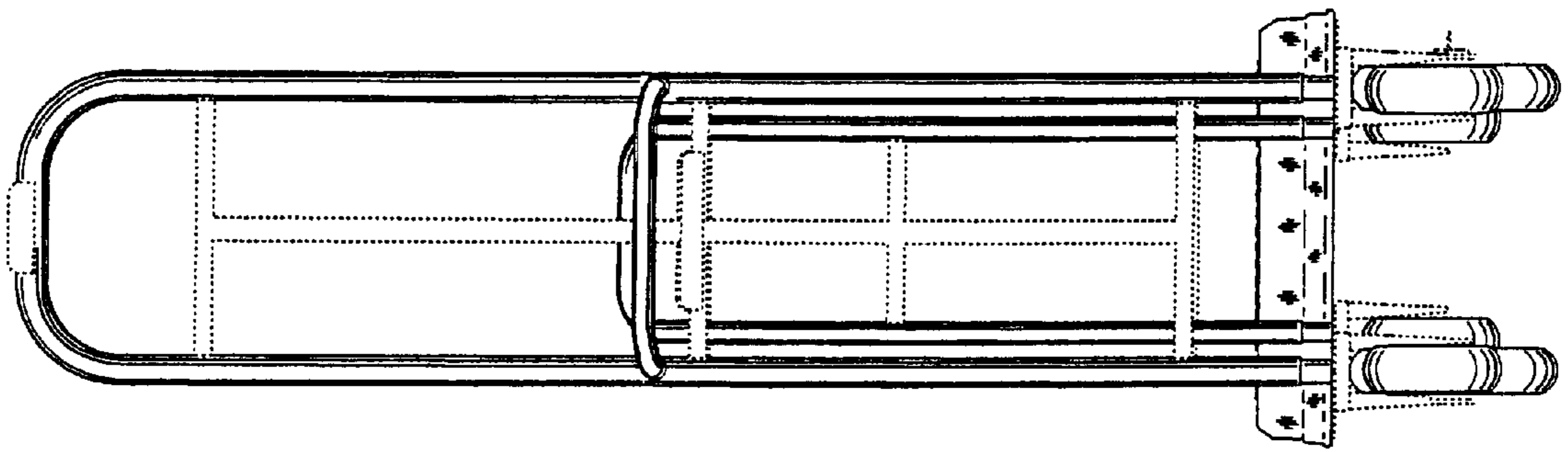
**FIG. 9**



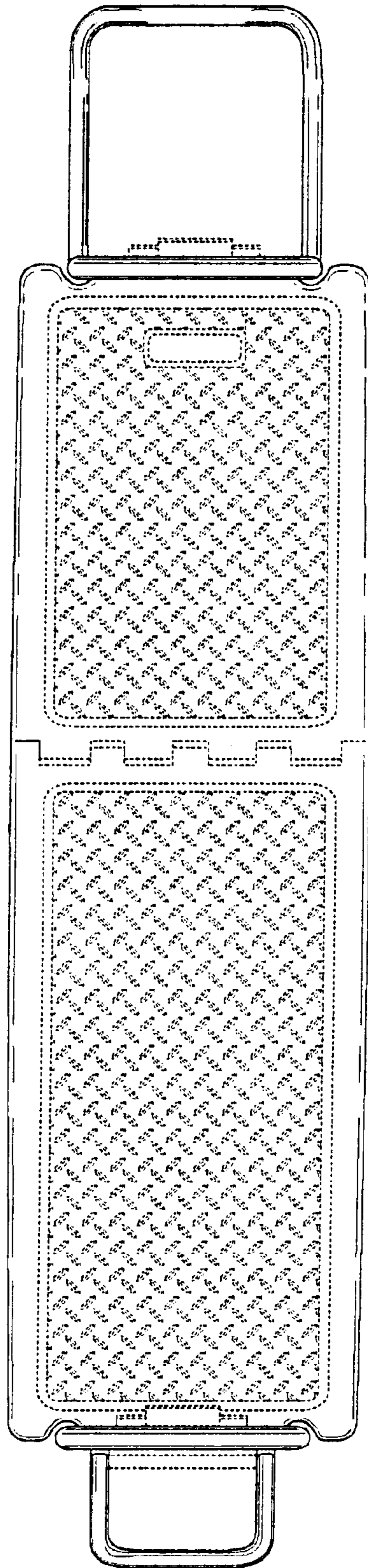
**FIG. 10**



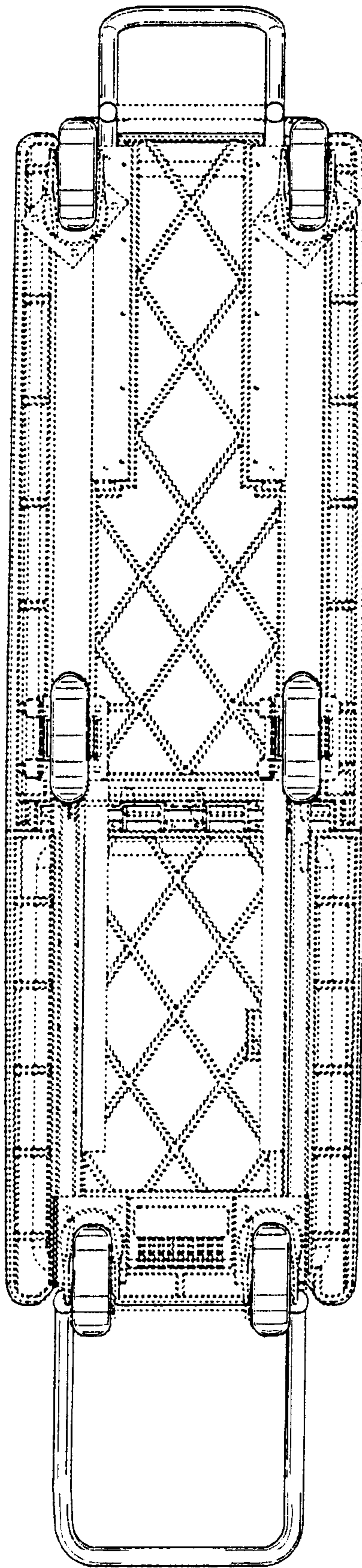
**FIG. 11**



**FIG. 12**



**FIG. 13**



**FIG. 14**