



US00D484292S

(12) **United States Design Patent**  
**Lin**

(10) **Patent No.:** **US D484,292 S**

(45) **Date of Patent:** **\*\* Dec. 23, 2003**

(54) **GARBAGE CAN**

(76) **Inventor:** **Tsong-Yow Lin**, No. 57-1, Yung Ho Street, Yung Ho Village, Ta Tu Hsiang, Taichung Hsien (TW)

(\*\*) **Term:** **14 Years**

(21) **Appl. No.:** **29/173,203**

(22) **Filed:** **Dec. 23, 2002**

(51) **LOC (7) Cl.** ..... **09-09**

(52) **U.S. Cl.** ..... **D34/7**

(58) **Field of Search** ..... D34/1, 5, 6, 7, D34/8, 9, 10, 11; 220/908, 908.1, 909, 911, 262, 263, 910

(56) **References Cited**

**U.S. PATENT DOCUMENTS**

D258,409 S	*	3/1981	Natgrass	.....	D34/7
D329,929 S	*	9/1992	Knoedler et al.	.....	D32/37
D332,850 S	*	1/1993	Brussing	.....	D34/7
D333,542 S	*	2/1993	McKenzie	.....	D34/9

D345,817 S	*	4/1994	Crawford	.....	D28/8.1
D351,698 S	*	10/1994	Brussing	.....	D34/1
5,407,089 A	*	4/1995	Bird et al.	.....	220/908

\* cited by examiner

*Primary Examiner*—Cynthia E. Ramirez  
(74) *Attorney, Agent, or Firm*—Alan D. Kamrath; Rider Bennett, LLP.

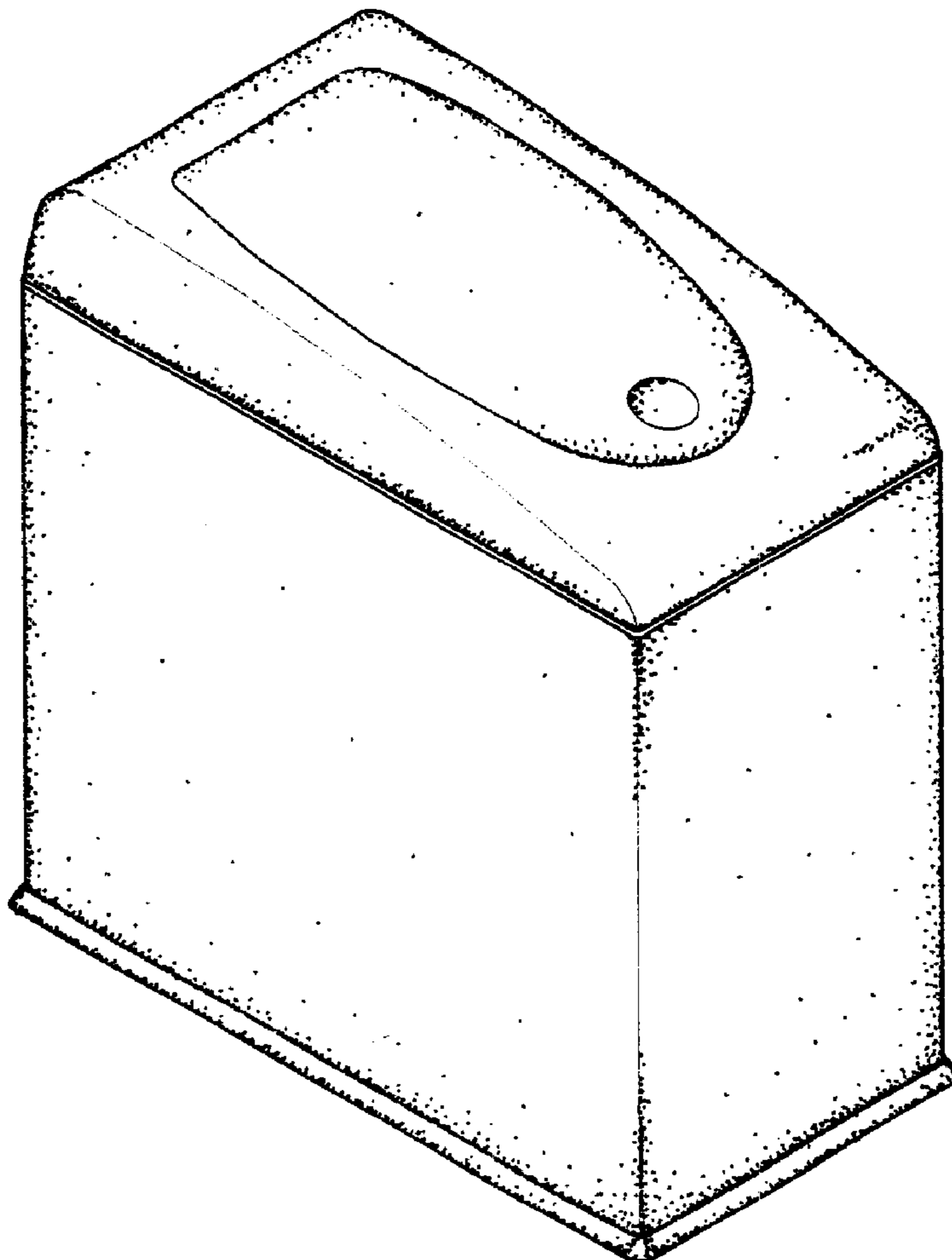
(57) **CLAIM**

The ornamental design for garbage can, as shown and described.

**DESCRIPTION**

FIG. 1 is a perspective view of a garbage can showing my new design;  
FIG. 2 is a front elevational view thereof; the opposite side being a mirror image of the shown.  
FIG. 3 is a left elevational view thereof;  
FIG. 4 is a right elevational view thereof; and,  
FIG. 5 is a top plan view thereof.

**1 Claim, 1 Drawing Sheet**



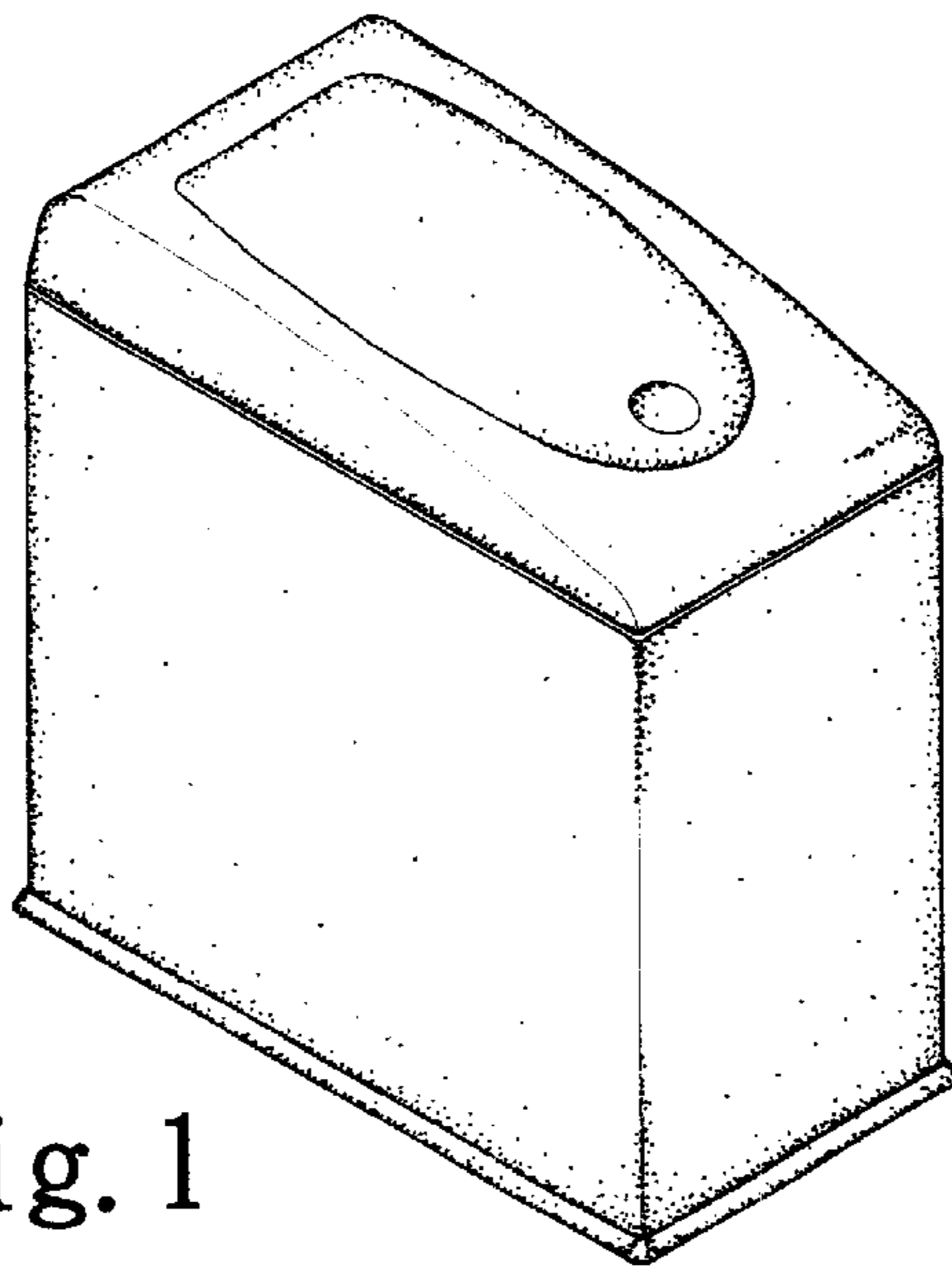


Fig. 1

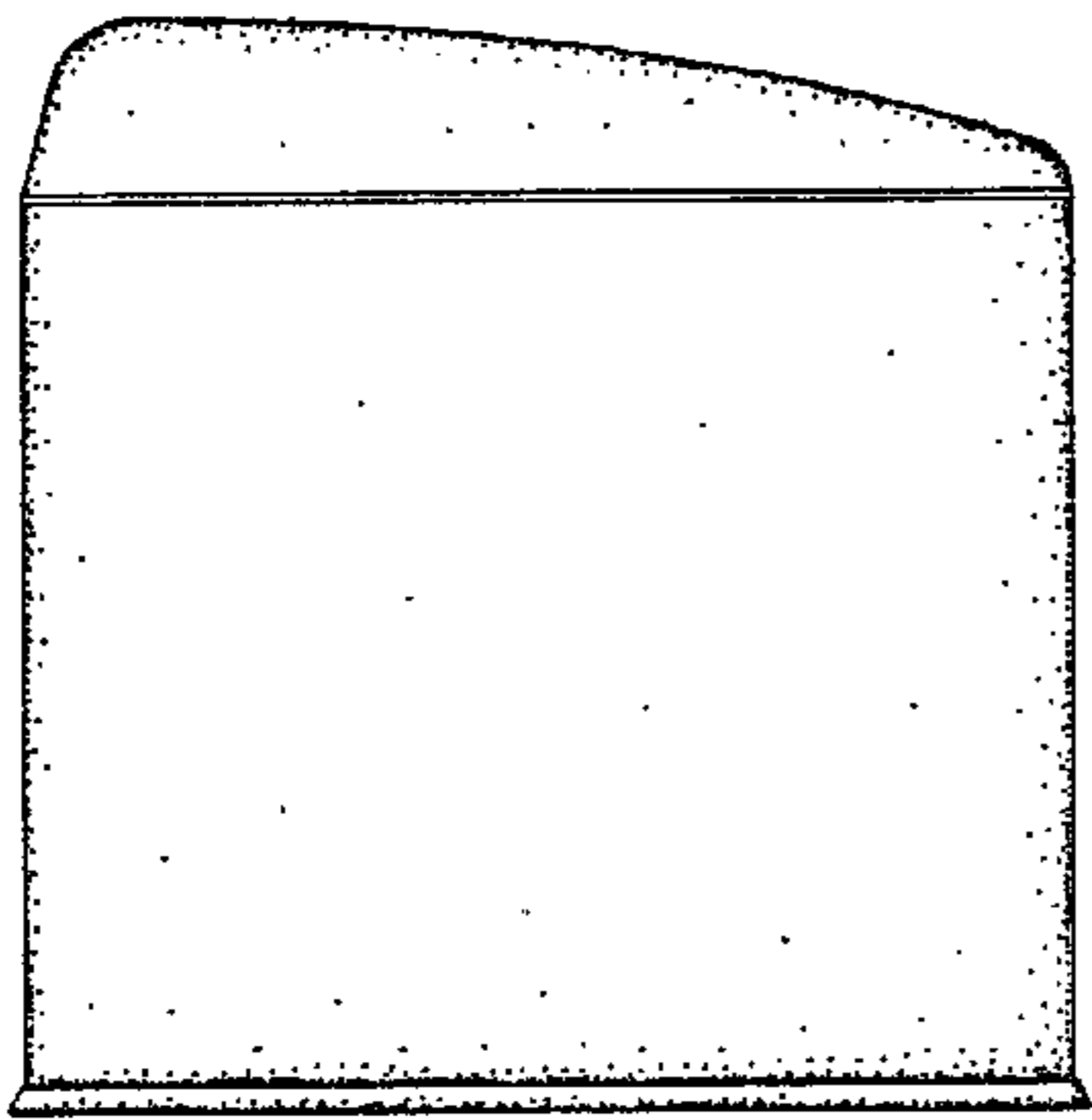


Fig. 2

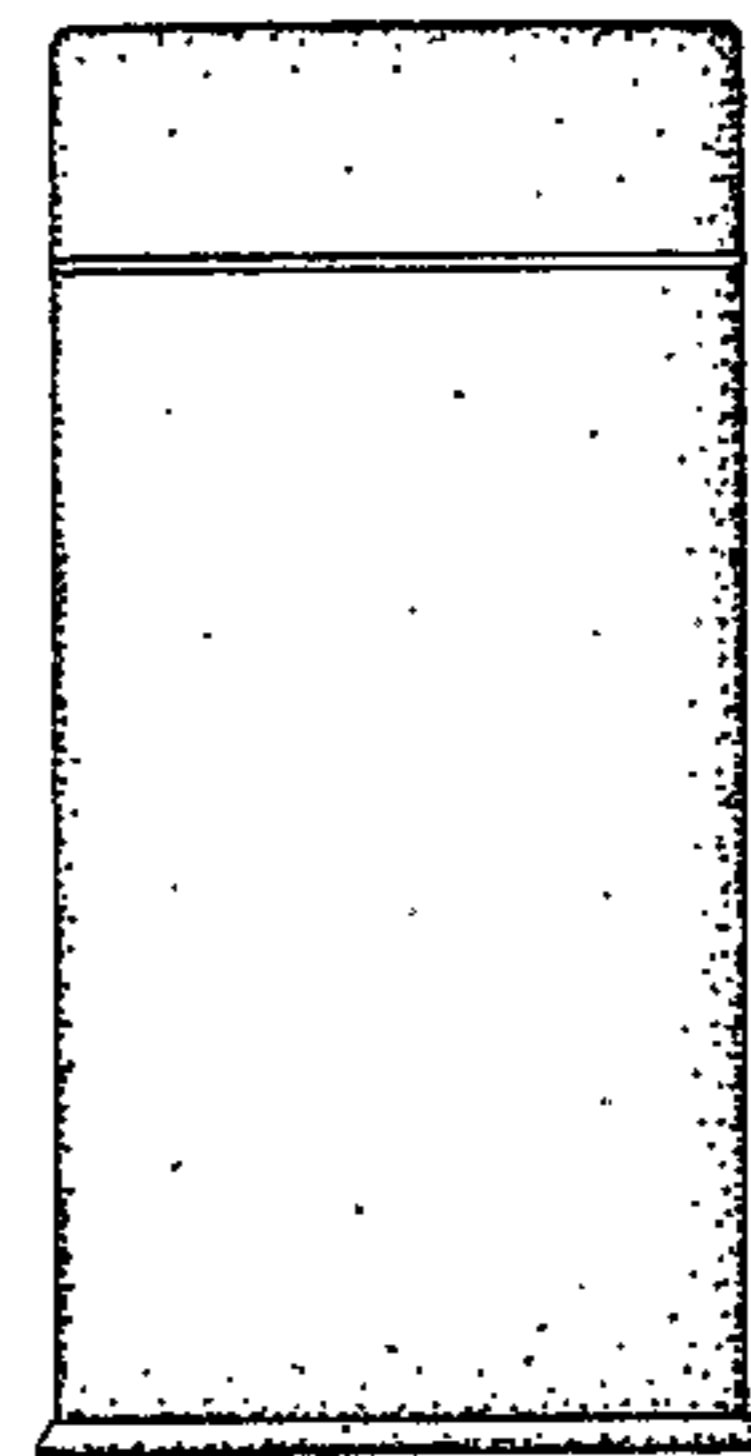


Fig. 3

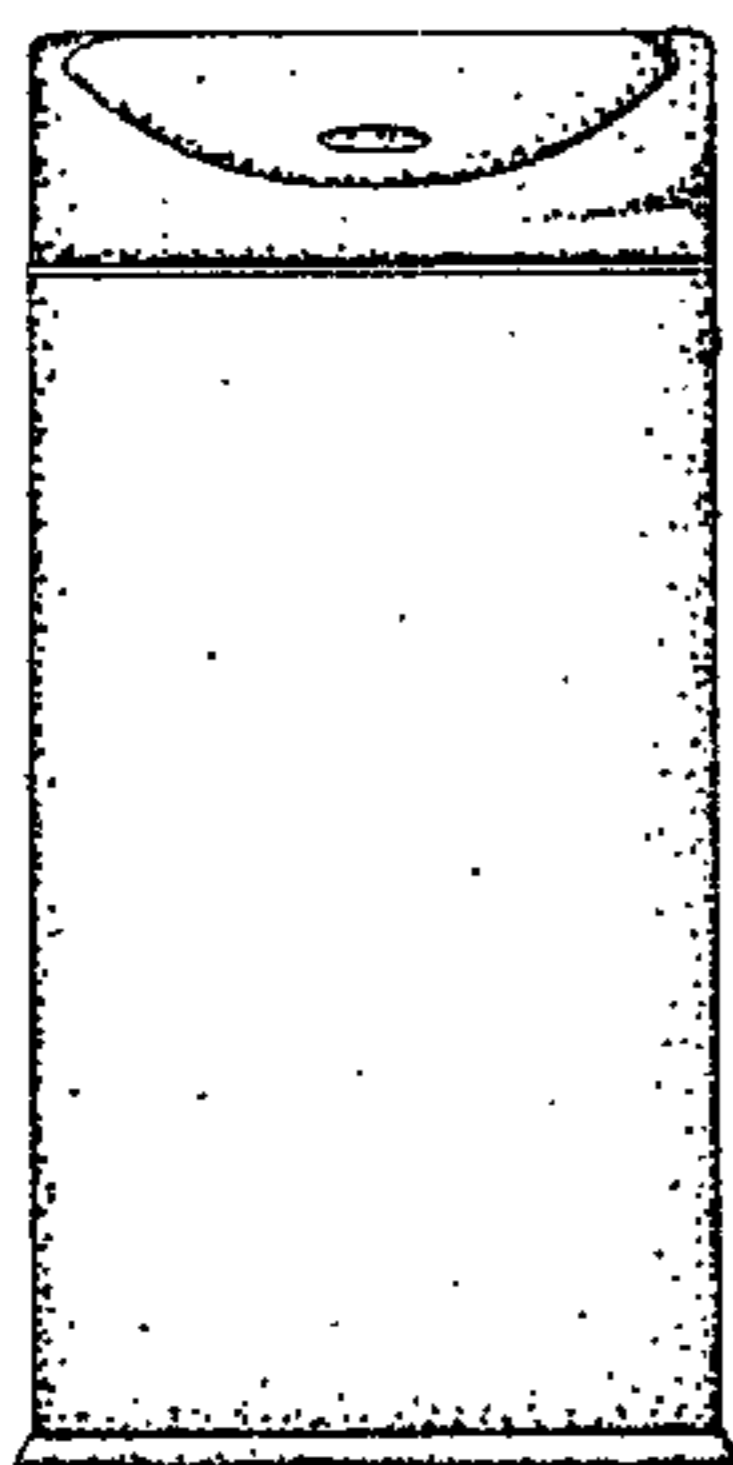


Fig. 4

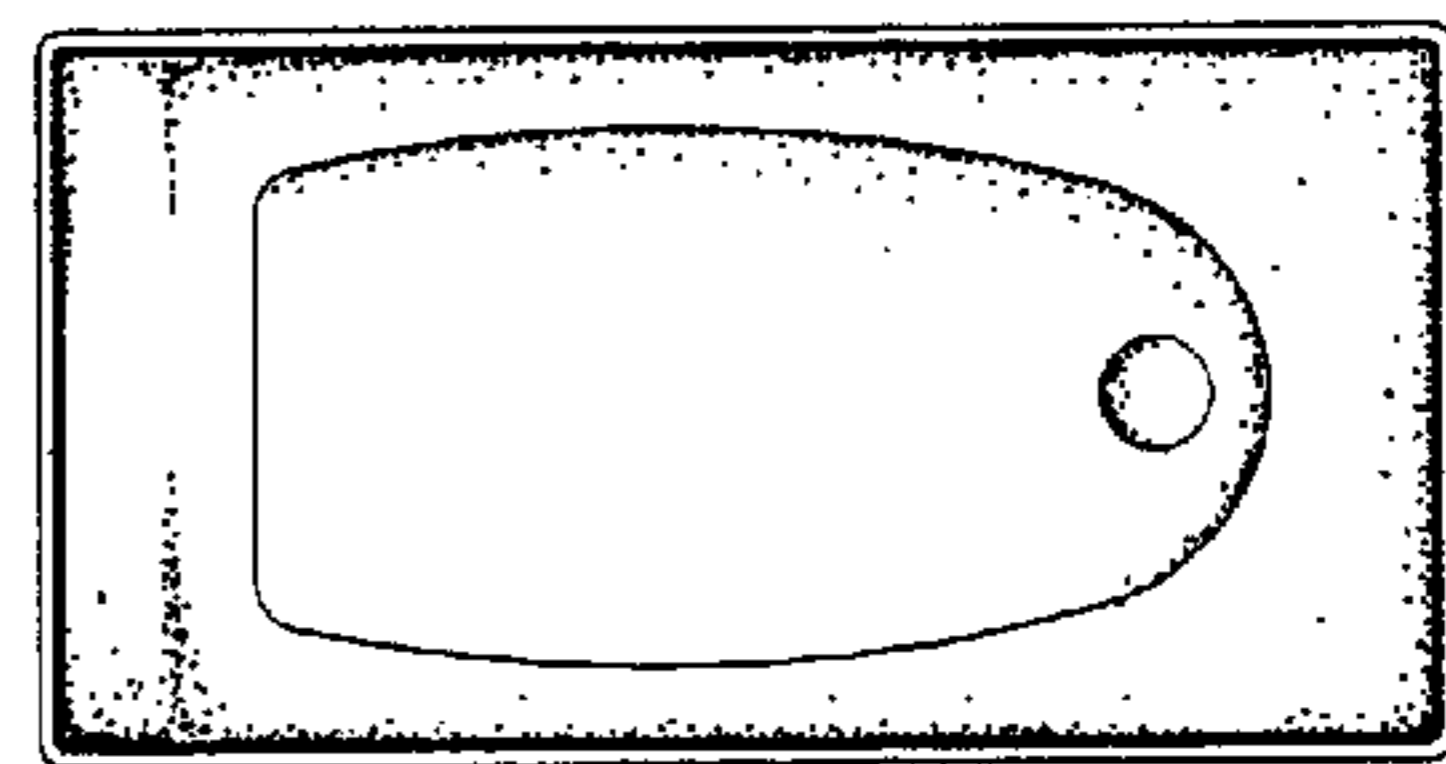


Fig. 5