



US00D484291S

(12) **United States Design Patent**
Faden

(10) **Patent No.:** **US D484,291 S**

(45) **Date of Patent:** **** Dec. 23, 2003**

(54) **RACK FOR DISPOSABLE BAGS**

(76) Inventor: **Morton Faden**, 2560 NW. 53 St., Boca Raton, FL (US) 33496

(**) Term: **14 Years**

(21) Appl. No.: **29/165,023**

(22) Filed: **Aug. 5, 2002**

(51) **LOC (7) Cl.** **09-09**

(52) **U.S. Cl.** **D34/5**

(58) **Field of Search** D34/1, 5, 6; 248/95, 248/97, 98, 100, 101; 220/908, 908.1, 909

(56) **References Cited**

U.S. PATENT DOCUMENTS

3,771,752	A	*	11/1973	Meeh	248/98
4,180,113	A	*	12/1979	Liebling	383/7
4,549,748	A	*	10/1985	Haley, Sr.	280/641
4,593,873	A	*	6/1986	Nelson	248/98
4,793,628	A	*	12/1988	Haley, Sr.	280/641
4,927,104	A	*	5/1990	Miller	248/97
4,957,252	A	*	9/1990	Watkins	248/97
5,048,712	A	*	9/1991	Wolters	220/262
5,190,253	A	*	3/1993	Sable	248/97
D337,405	S	*	7/1993	Wolters	D34/5
D345,835	S	*	4/1994	Tanner	D34/5
D428,544	S	*	7/2000	Moffitt et al.	D34/5
6,092,767	A	*	7/2000	Schrager	248/98

D434,538	S	*	11/2000	Thompson	D32/37
6,176,278	B1	*	1/2001	Gill et al.	141/114
D437,668	S	*	2/2001	Sanka	D34/5
D447,306	S	*	8/2001	Dooley et al.	D34/5
6,334,593	B2	*	1/2002	Inoue	248/95
6,352,225	B1	*	3/2002	Dooley et al.	248/98
6,382,573	B1	*	5/2002	Cepeda	248/97
6,419,193	B1	*	7/2002	Rodriquez	248/98
D465,077	S	*	10/2002	Berke et al.	D34/24

* cited by examiner

Primary Examiner—Cynthia E. Ramirez

(74) *Attorney, Agent, or Firm*—F. Chau & Associates, LLP

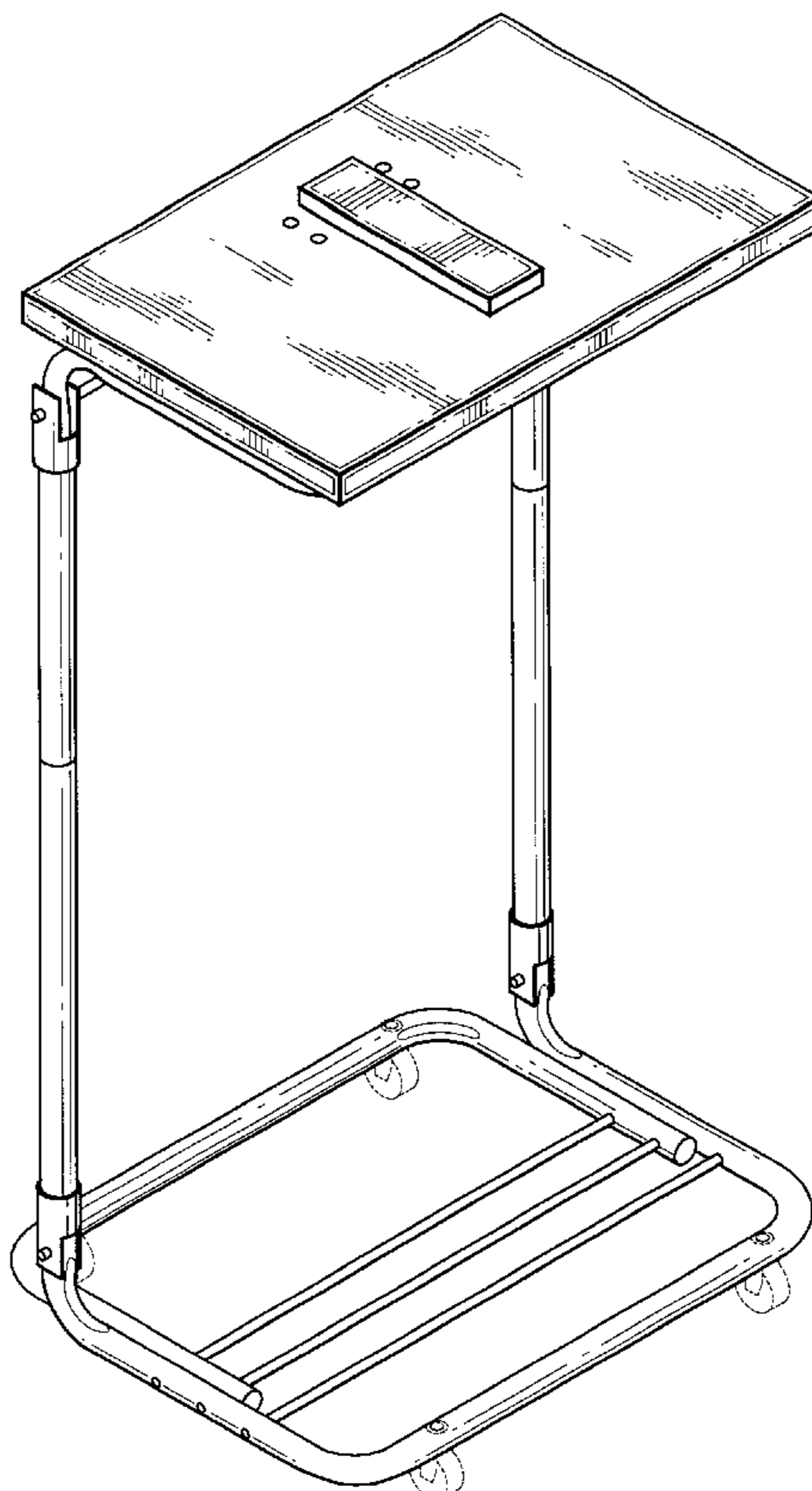
(57) **CLAIM**

I claim the ornamental design for a rack for disposable bags, as shown and described.

DESCRIPTION

FIG. 1 is an isometric view of my rack for disposable bags showing my new design;
FIG. 2 is a left side elevation thereof;
FIG. 3 is a front view elevation thereof;
FIG. 4 is a right view elevation thereof;
FIG. 5 is a top plan view thereof;
FIG. 6 is a bottom plan view thereof; and,
FIG. 7 is a side view of the rack in shipping and storage configuration.

1 Claim, 4 Drawing Sheets



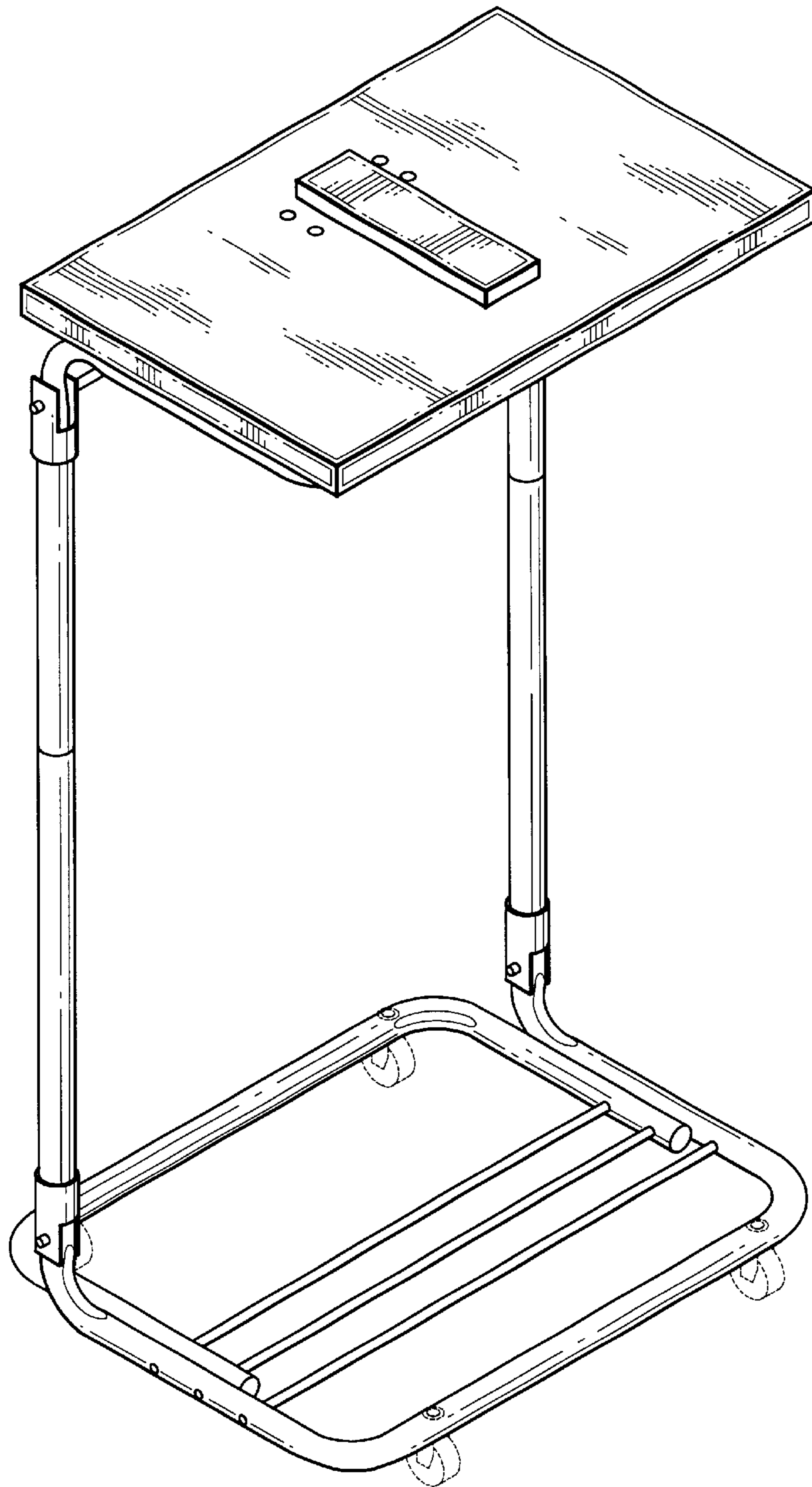


FIG. 1

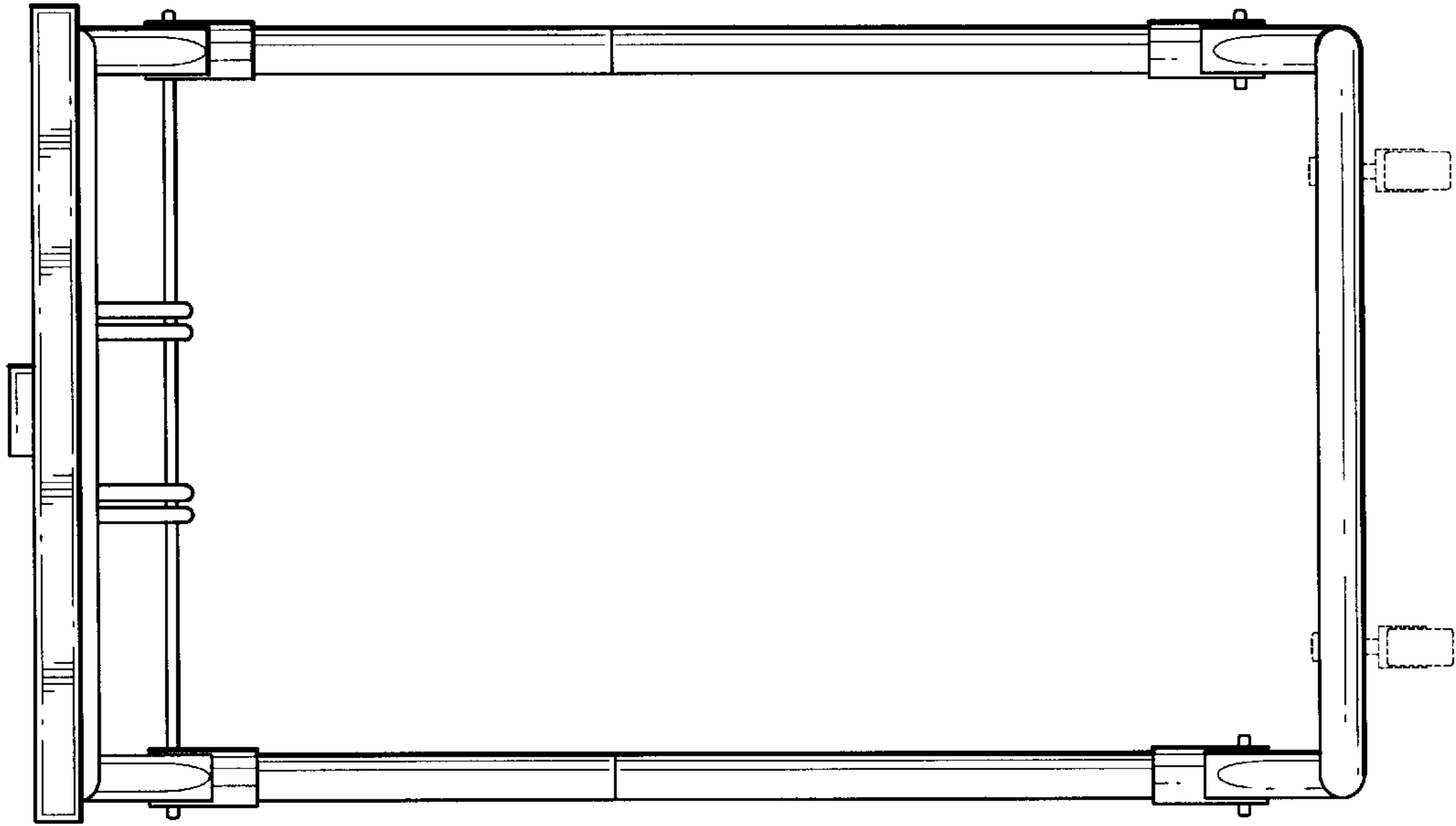


FIG. 2

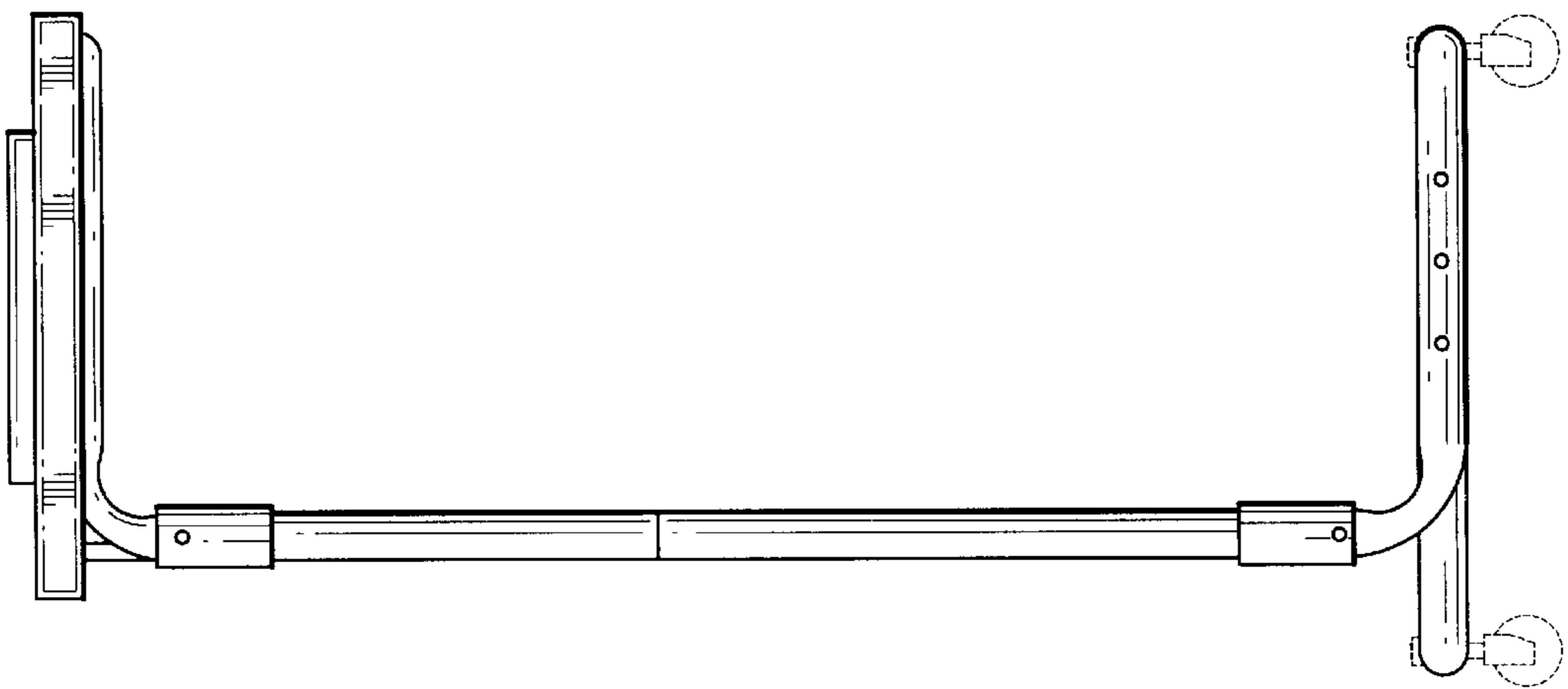


FIG. 3

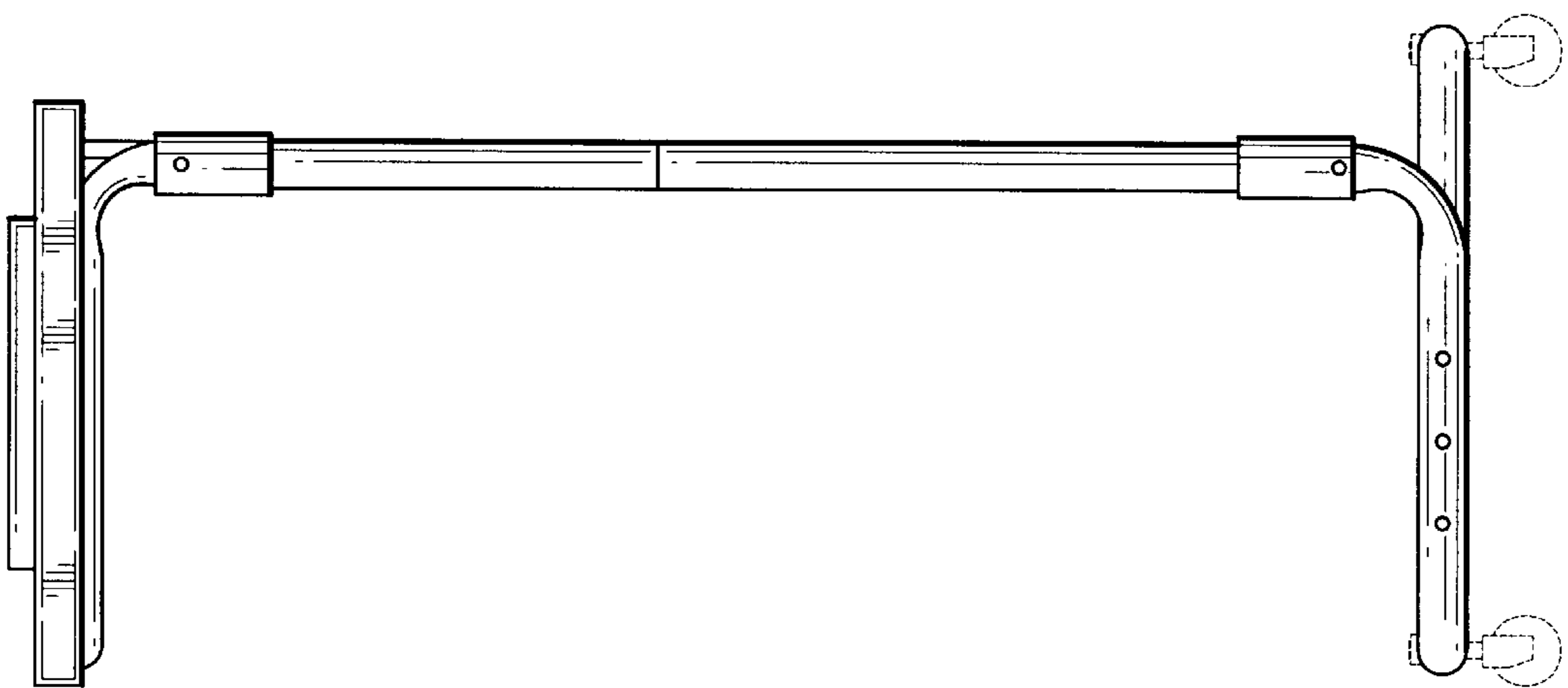


FIG. 4

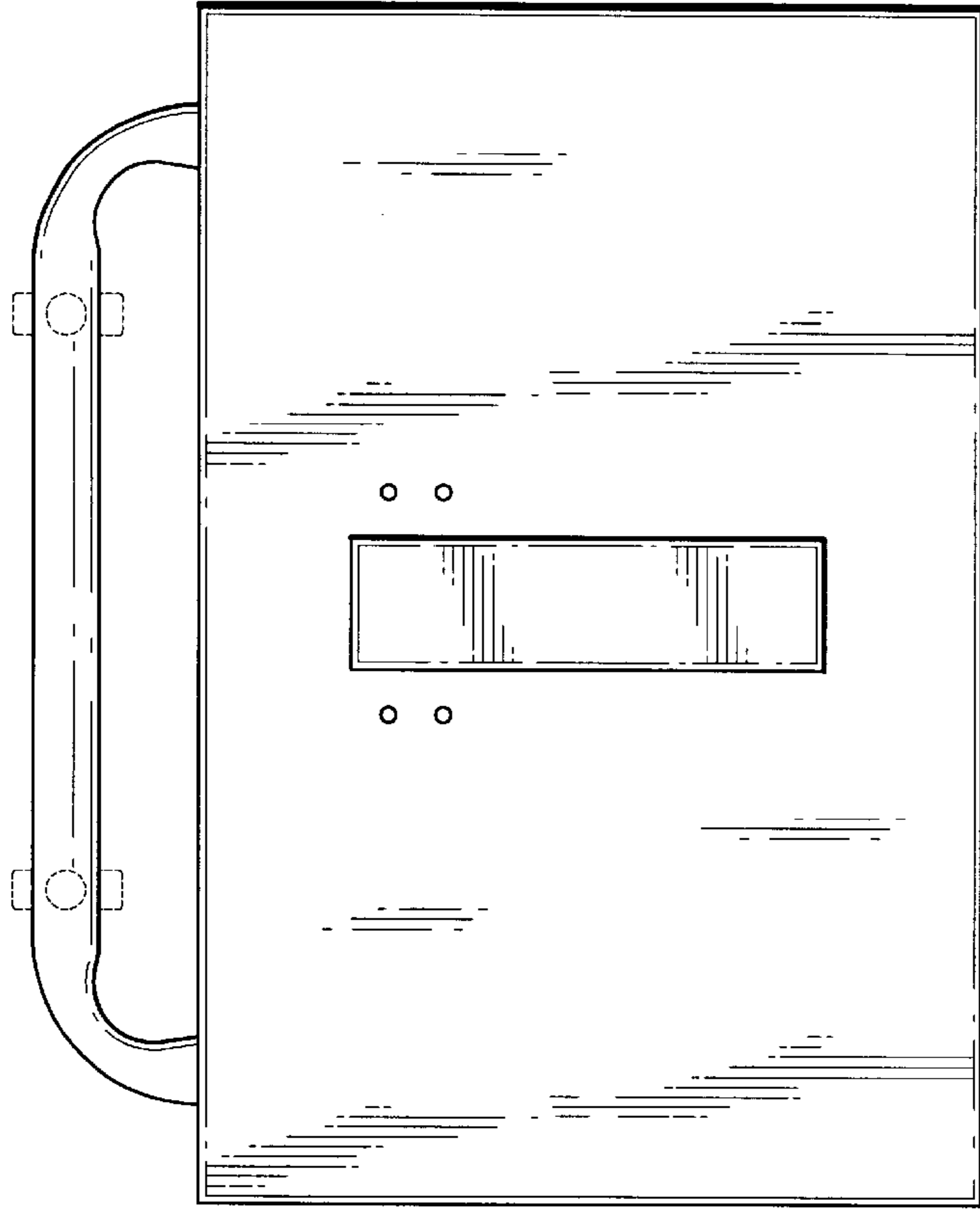


FIG. 5

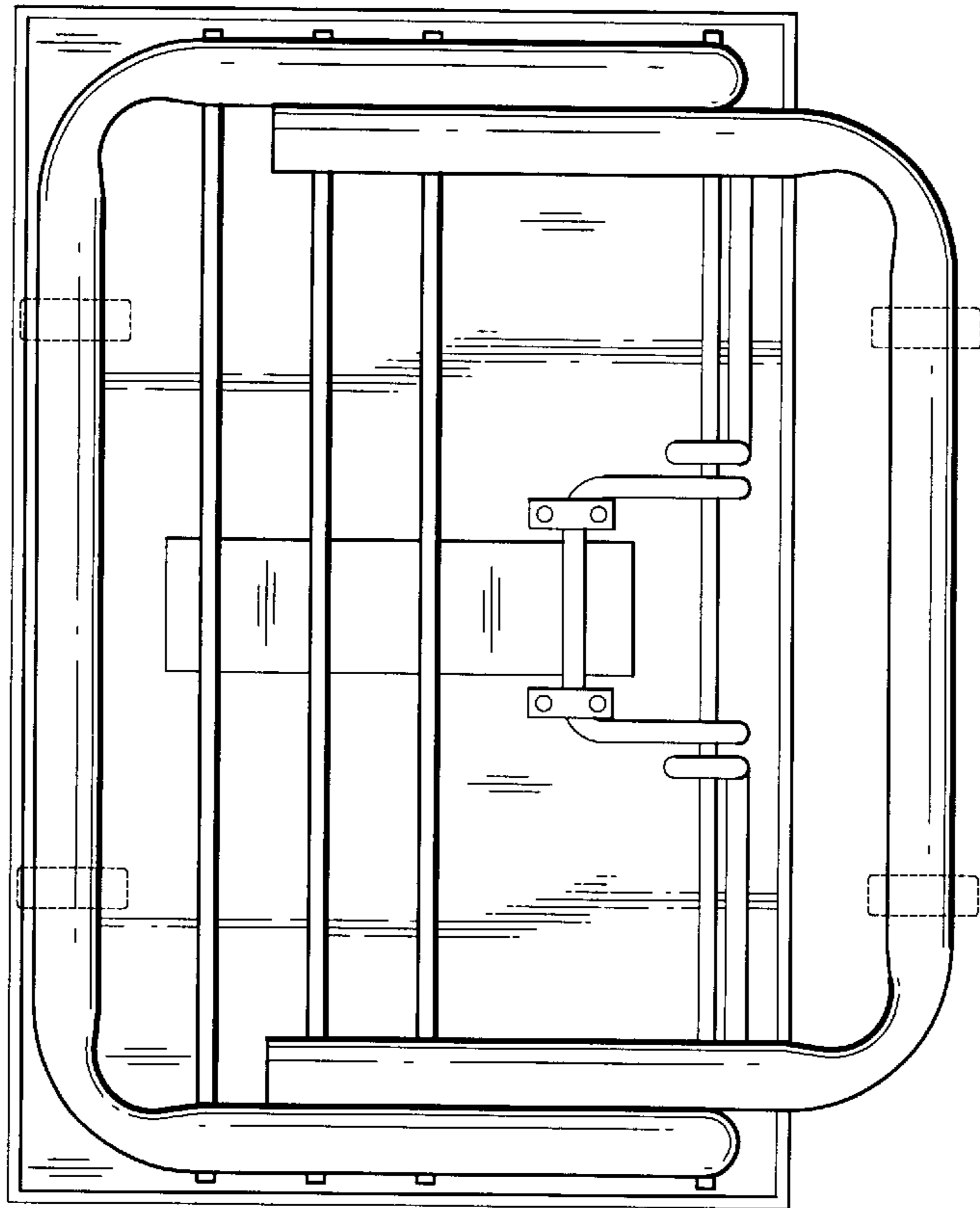


FIG. 6

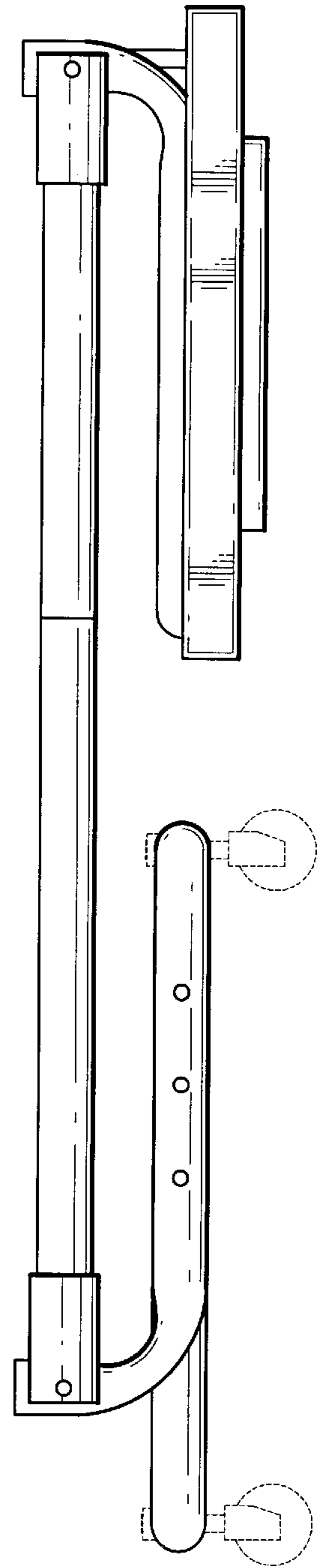


FIG. 7