



US00D484290S

(12) **United States Design Patent**
Ragot

(10) **Patent No.:** **US D484,290 S**

(45) **Date of Patent:** **** Dec. 23, 2003**

(54) **WASTE CONTAINER**

(75) Inventor: **Paul-Henri Ragot**, Laval (CA)

(73) Assignee: **A.L.R. Envirotech Inc.**, Montréal (CA)

(**) Term: **14 Years**

(21) Appl. No.: **29/137,542**

(22) Filed: **Feb. 26, 2001**

Related U.S. Application Data

(62) Division of application No. 29/055,465, filed on Jun. 5, 1996, now Pat. No. Des. 438,356.

(51) **LOC (7) Cl.** **09-09**

(52) **U.S. Cl.** **D34/1**

(58) **Field of Search** D34/1, 7, 5, 6;
220/908-911, 327, 4.32, 662, 665; 362/812,
28, 29

(56) **References Cited**

U.S. PATENT DOCUMENTS

D229,279 S * 11/1973 Kay et al. D34/1

3,803,738 A * 4/1974 Weiss 220/908

D232,211 S * 7/1974 Kay et al. D34/1

D234,288 S * 2/1975 Kay et al. D34/1

5,046,635 A * 9/1991 Haas et al. 220/909

D438,356 S * 2/2001 Ragot D34/1

* cited by examiner

Primary Examiner—Cynthia E. Ramirez

(74) *Attorney, Agent, or Firm*—Ogilvy Renault; Guy J. Houle

(57) **CLAIM**

The ornamental design for “waste container”, as shown and described.

DESCRIPTION

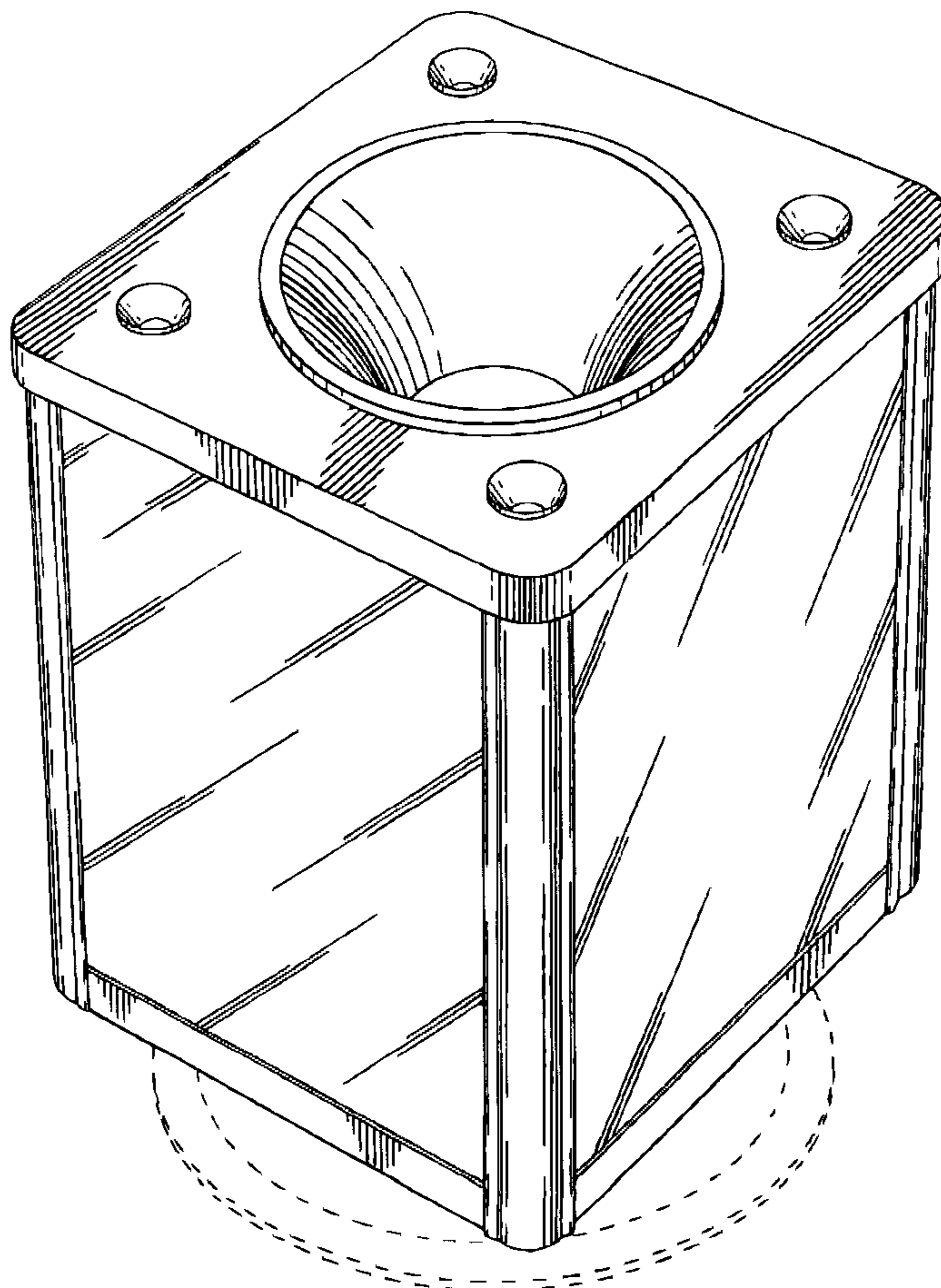
FIG. 1 is a perspective view of the waste container showing my new design;

FIG. 2 is a front elevational view thereof, the opposite view and both side elevational views being identical; and,

FIG. 3 is a top plan view thereof.

The broken line showing of a base is for illustrative purposes only and forms no part of the claimed design.

1 Claim, 3 Drawing Sheets



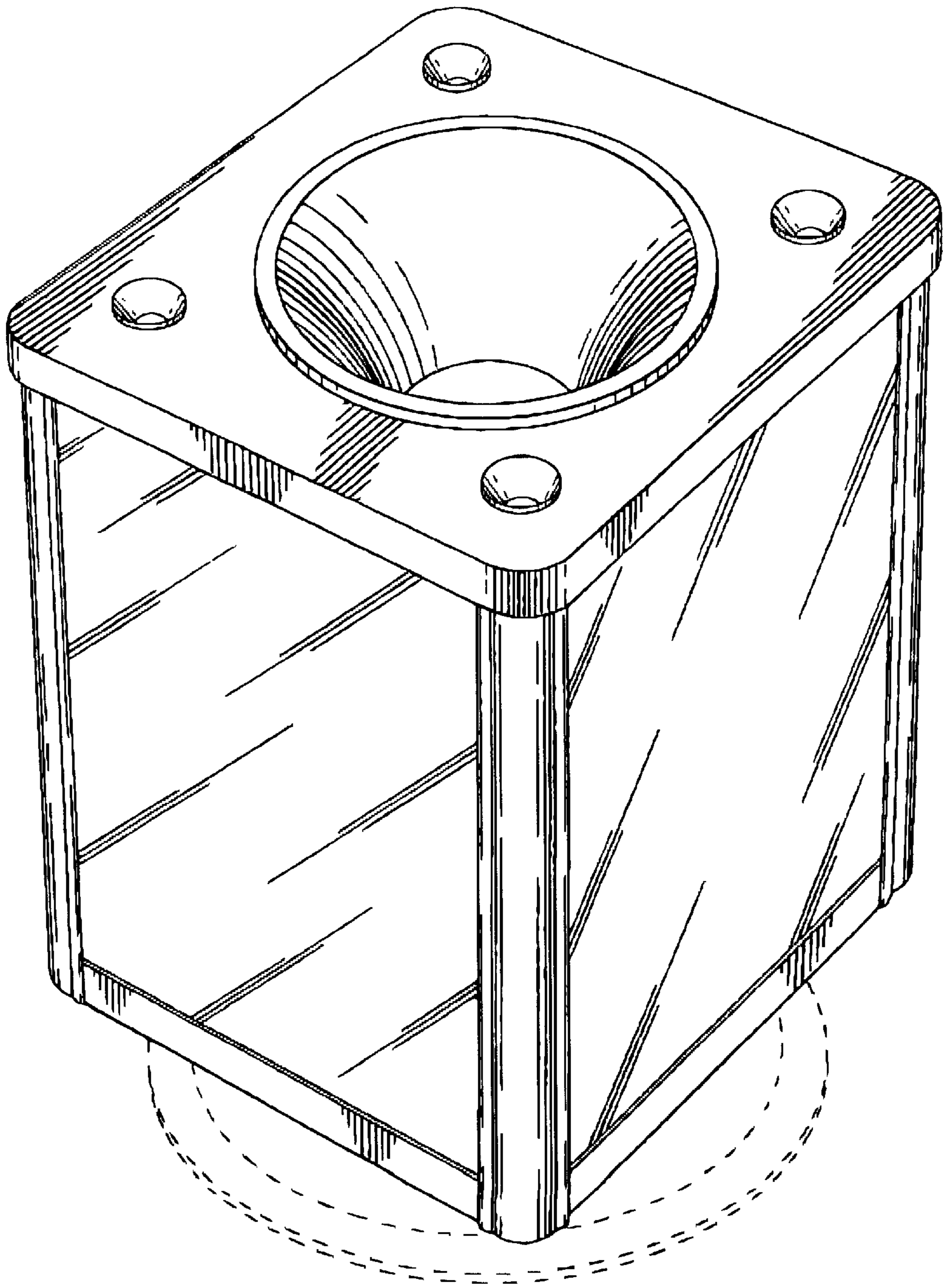


FIG. 1

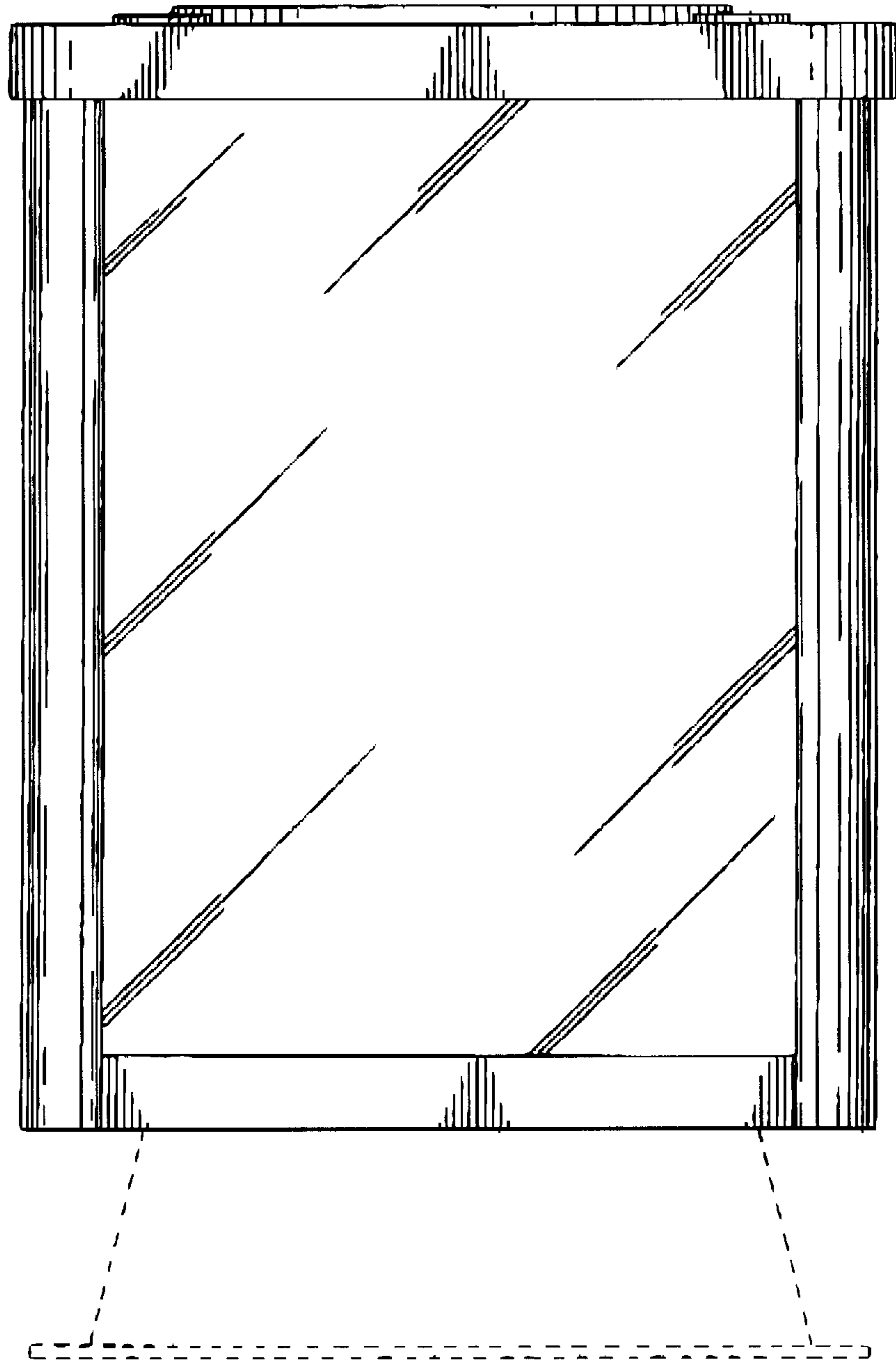


FIG. 2

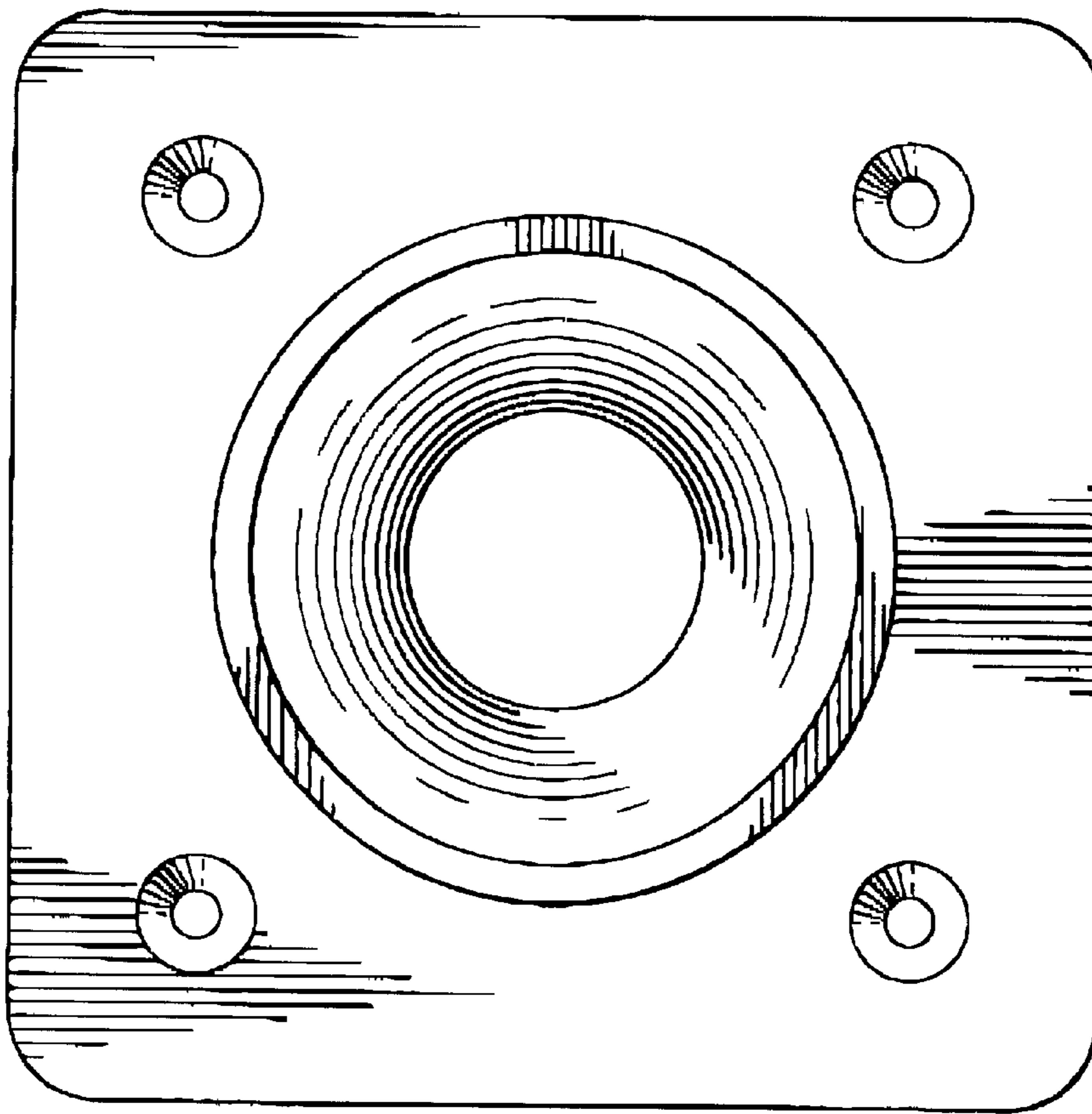


FIG. 3