



US00D484289S

(12) **United States Design Patent**
Berthier

(10) **Patent No.:** **US D484,289 S**

(45) **Date of Patent:** **** Dec. 23, 2003**

(54) **STEAM IRON**

D441,158 S * 4/2001 Stützer et al. D32/71
D459,045 S 6/2002 Figur et al.

(75) Inventor: **Marc Berthier**, Paris (FR)

FOREIGN PATENT DOCUMENTS

(73) Assignee: **Calor S.A.**, Lyons Cedex (FR)

EP 0232924 * 8/1987 D06F/75/16
EP 0588164 * 3/1994 D06F/75/12
GB 2342101 * 4/2000 D06F/75/12
JP 59-164099 * 9/1984 D06F/75/20

(**) Term: **14 Years**

* cited by examiner

(21) Appl. No.: **29/134,003**

(22) Filed: **Feb. 1, 2002**

Primary Examiner—Alan P. Douglas

Assistant Examiner—Lavone D. Tabor

(30) **Foreign Application Priority Data**

(74) *Attorney, Agent, or Firm*—Browdy and Neimark

Aug. 1, 2001 (FR) 01 4562

(57) **CLAIM**

(51) **LOC (7) Cl.** **07-05**

The ornamental design for a steam iron, as shown and described.

(52) **U.S. Cl.** **D32/70**

(58) **Field of Search** D32/68, 70-72;
38/74, 75, 77.1, 77.2, 77.5, 77.6, 77.7,
77.8, 77.9, 88, 90, 93, 95; 219/245, 248,
254, 257

DESCRIPTION

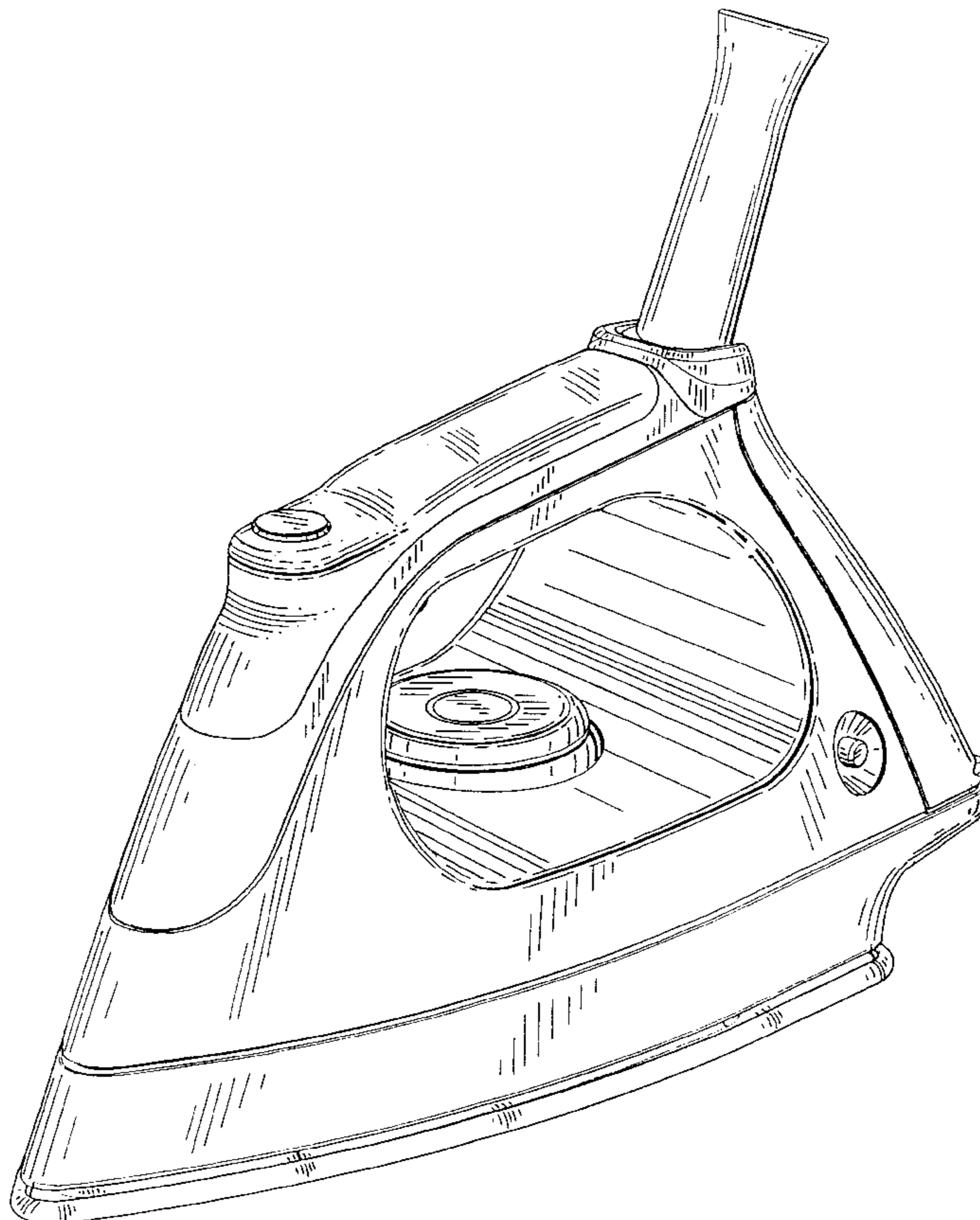
(56) **References Cited**

FIG. 1 is a perspective view of a steam iron in accordance with the present design;
FIG. 2 is a top plan view thereof;
FIG. 3 is a bottom plan view thereof;
FIG. 4 is a left side elevational view thereof;
FIG. 5 is a right side elevational view thereof;
FIG. 6 is a front elevational view thereof; and,
FIG. 7 is a rear elevational view thereof.

U.S. PATENT DOCUMENTS

D366,544 S * 1/1996 Choi D32/70
5,856,655 A * 1/1999 Lin 219/257 X
D428,227 S * 7/2000 Stützer et al. D32/70
D435,325 S 12/2000 Stutzer et al.
D436,704 S 1/2001 Stutzer et al.

1 Claim, 7 Drawing Sheets



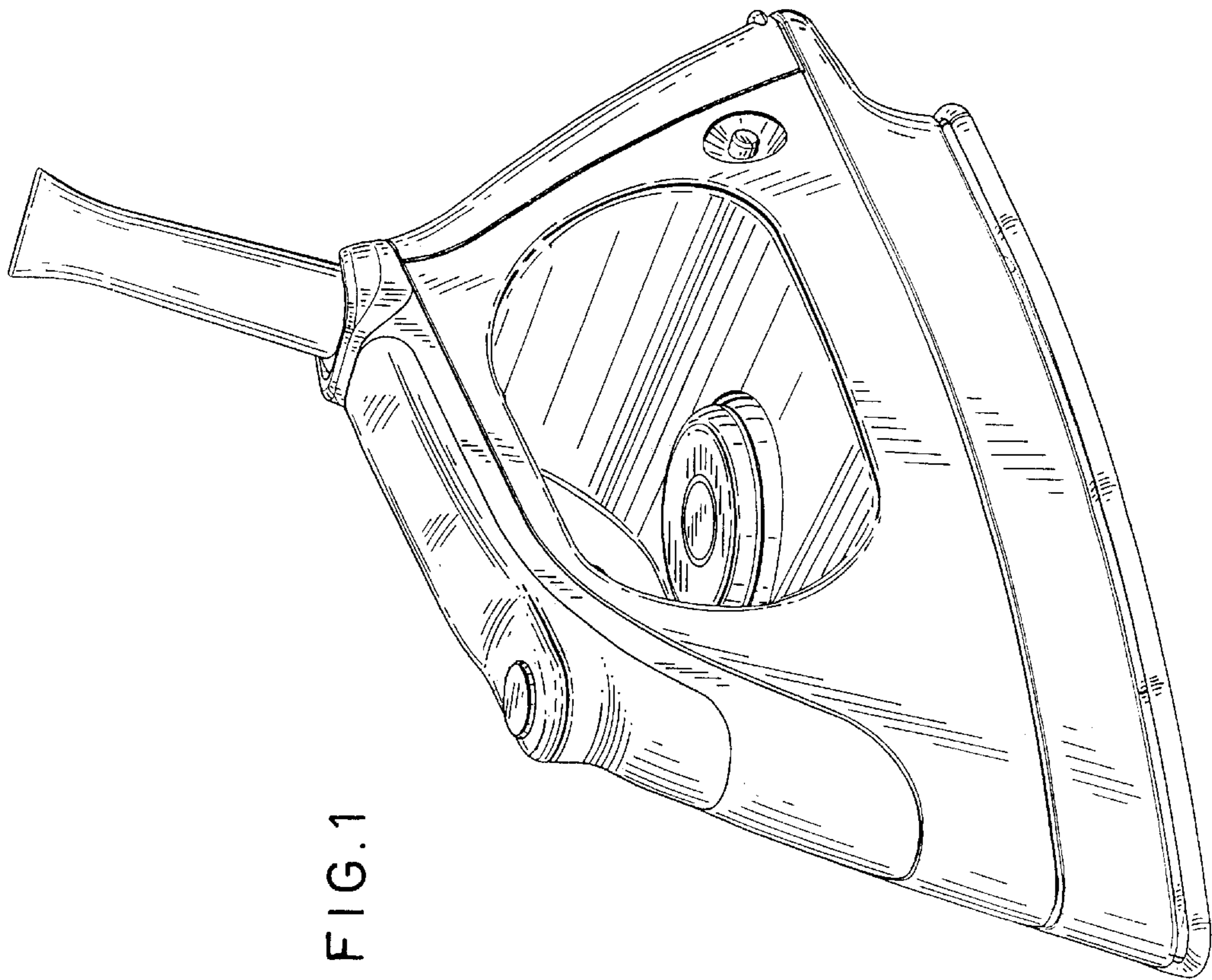


FIG. 1

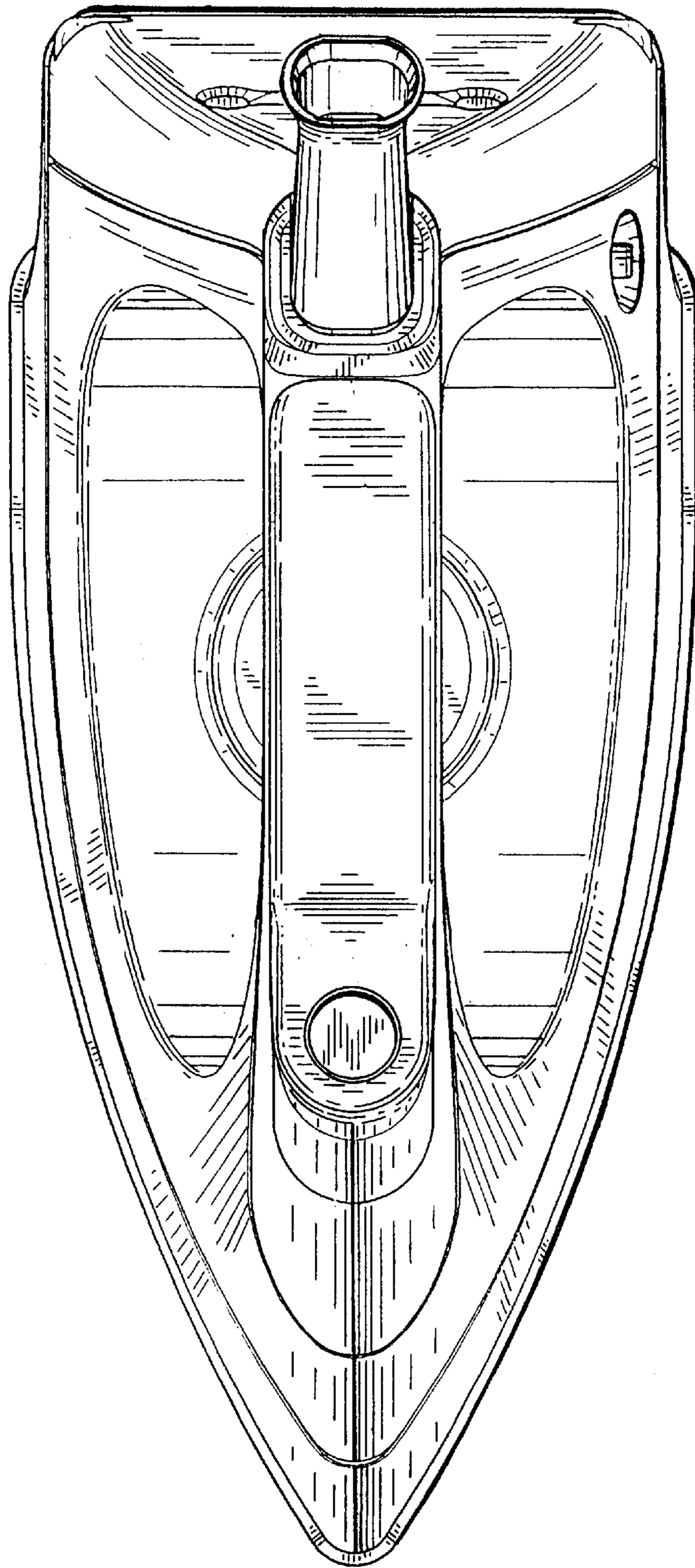


FIG. 2

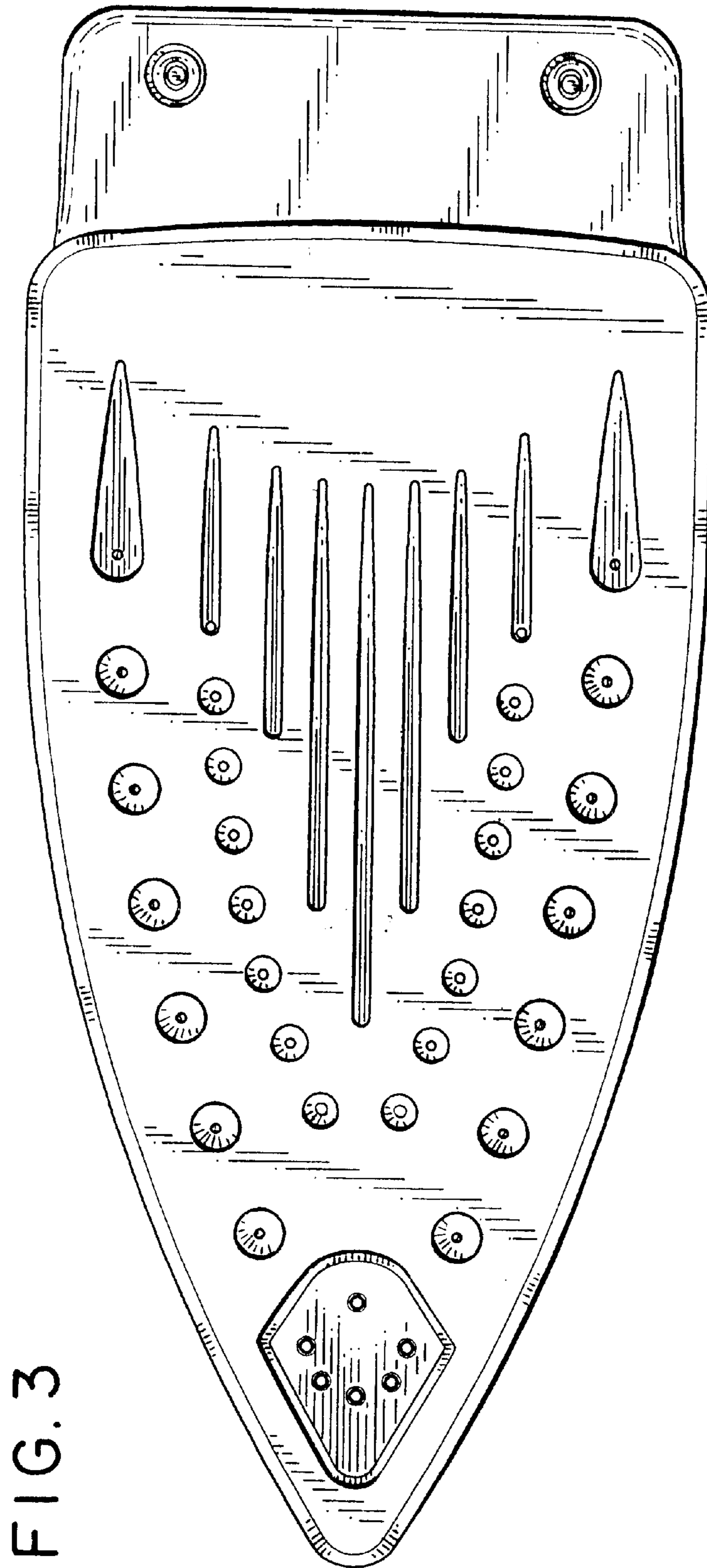
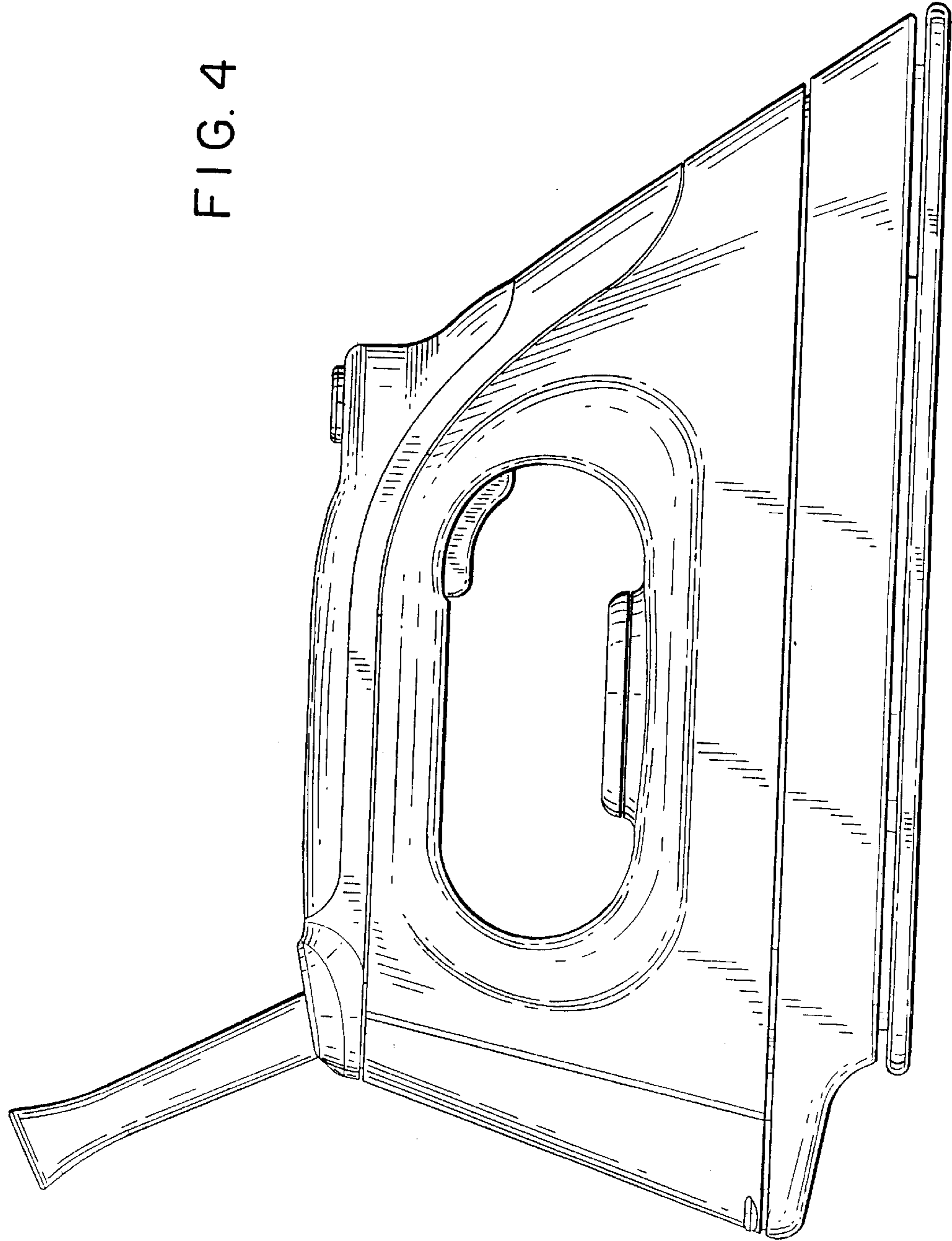


FIG. 3

FIG. 4



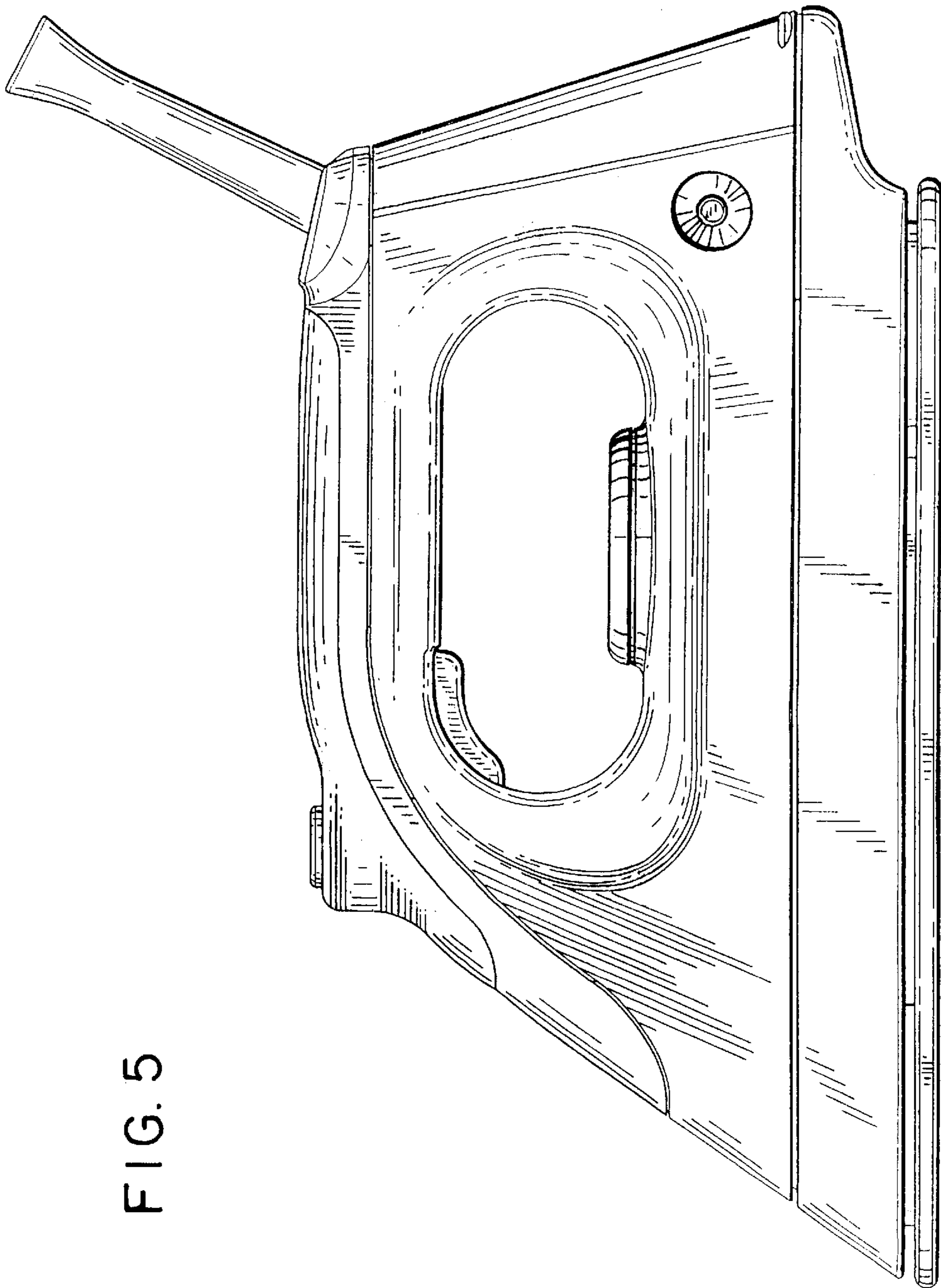


FIG. 5

FIG. 6

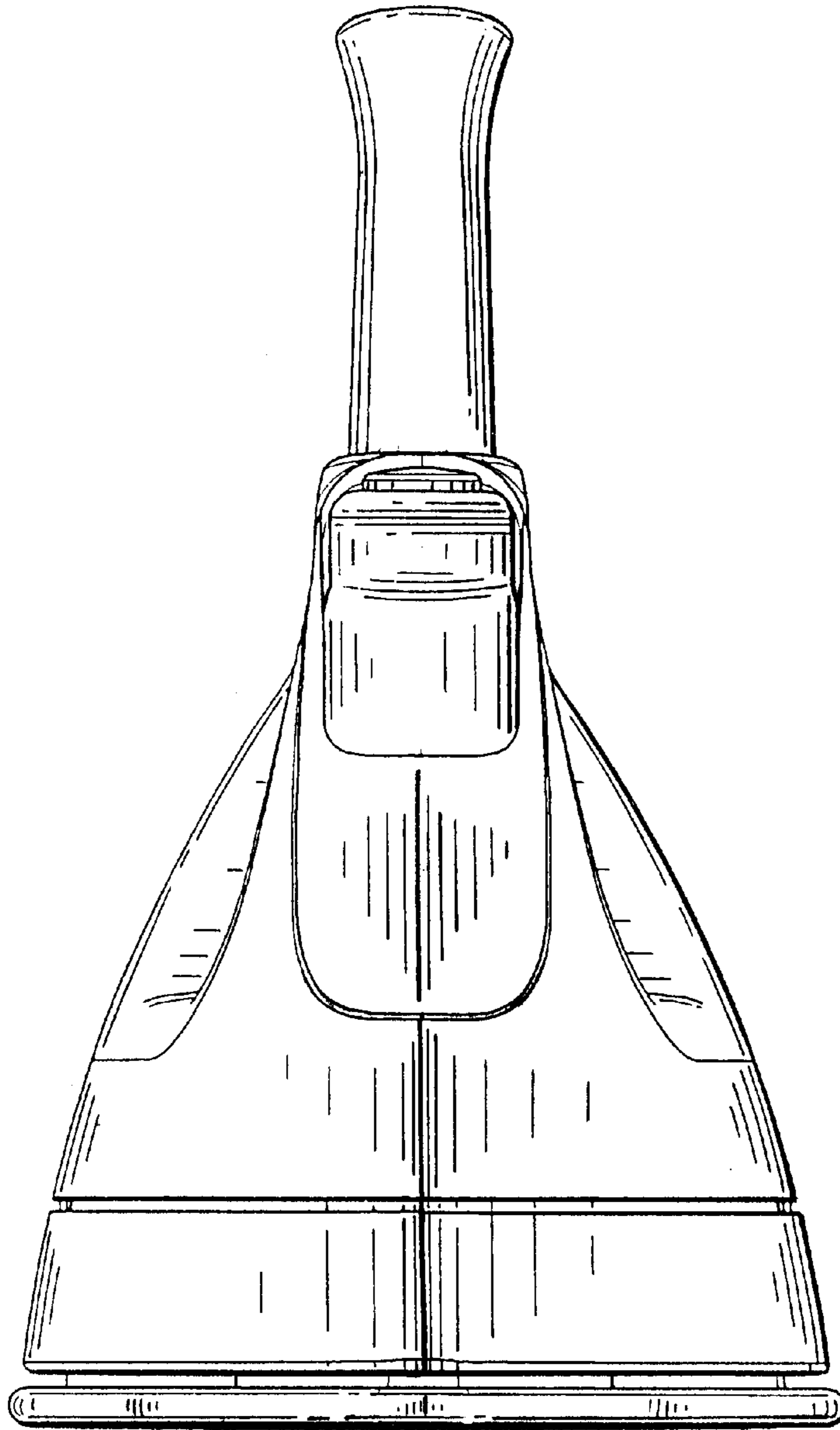


FIG. 7

