



US00D484288S

(12) **United States Design Patent**
Hollinger

(10) **Patent No.:** **US D484,288 S**

(45) **Date of Patent:** **** Dec. 23, 2003**

(54) **HANDLE FOR A STEAMER**

(75) Inventor: **Fred Hollinger**, Kings Park, NY (US)

(73) Assignee: **E. Mishan & Sons, Inc.**, New York, NY (US)

(**) Term: **14 Years**

(21) Appl. No.: **29/179,985**

(22) Filed: **Apr. 17, 2003**

(51) **LOC (7) Cl.** **07-05**

(52) **U.S. Cl.** **D32/35; D32/72**

(58) **Field of Search** D32/17, 35, 68-72;
38/69, 74, 75, 77.1-77.8, 77.83, 77.9, 90,
92; 219/245; 68/122; 392/333, 394, 399,
403-405

(56) **References Cited**

U.S. PATENT DOCUMENTS

D127,507 S * 5/1941 Russell D32/72
3,436,851 A * 4/1969 Gilbert 38/69

D328,163 S * 7/1992 Mishan D32/17
D342,811 S * 12/1993 Cheung D32/17
D466,261 S * 11/2002 Wu D32/70

* cited by examiner

Primary Examiner—Alan P. Douglas

Assistant Examiner—Lavone D. Tabor

(74) *Attorney, Agent, or Firm*—Notaro & Michalos P.C.

(57) **CLAIM**

The ornamental design for a handle for a steamer, as shown and described.

DESCRIPTION

FIG. 1 is a front top left perspective view of the handle for a steamer, the steamer being shown in phantom line and forming no part of the design;

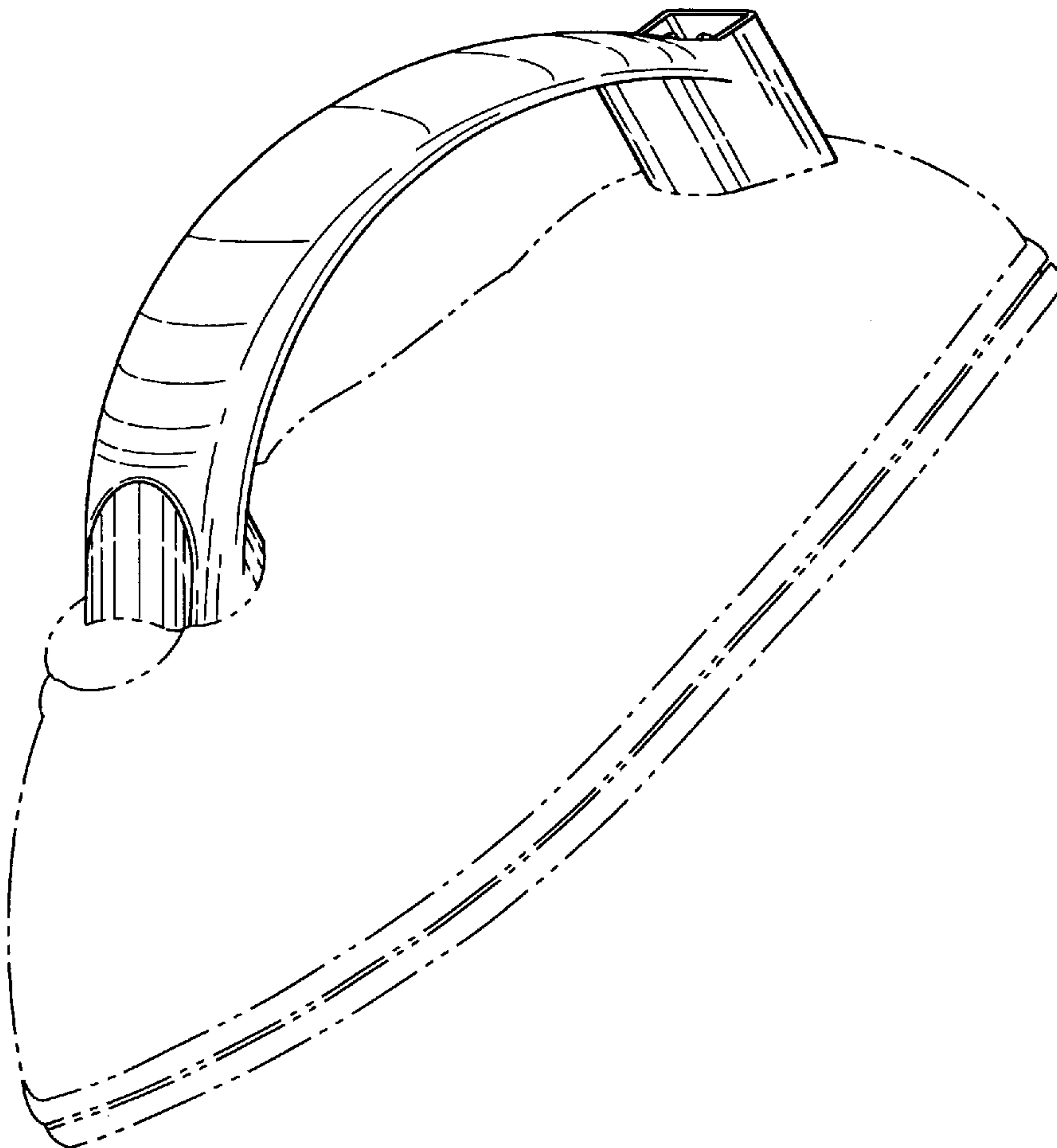
FIG. 2 is a top plan view thereof;

FIG. 3 is a side elevational view, the opposite side being an identical mirror image there;

FIG. 4 is a front elevational view thereof; and,

FIG. 5 is a rear elevational view thereof.

1 Claim, 3 Drawing Sheets



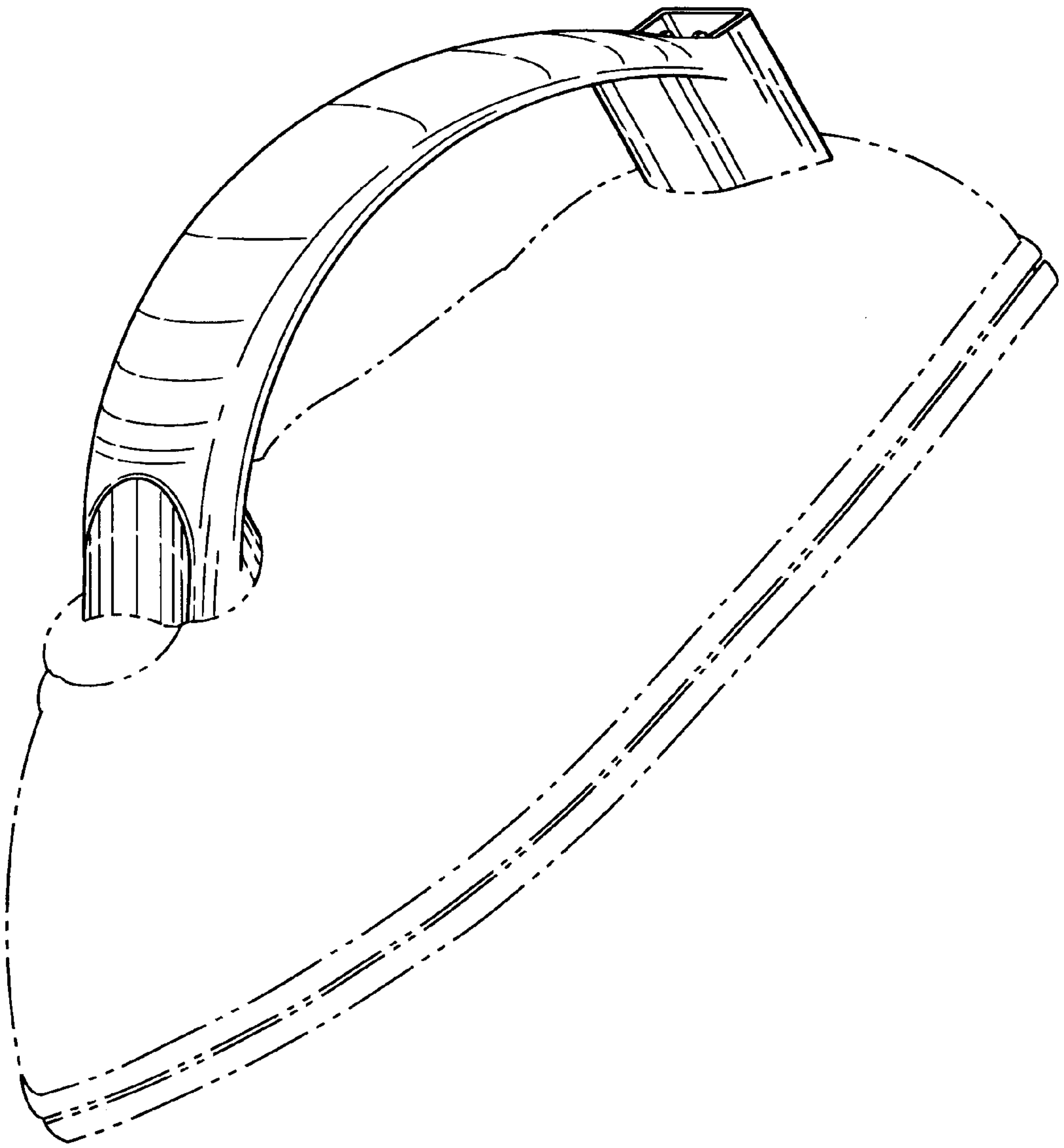


FIG. 1

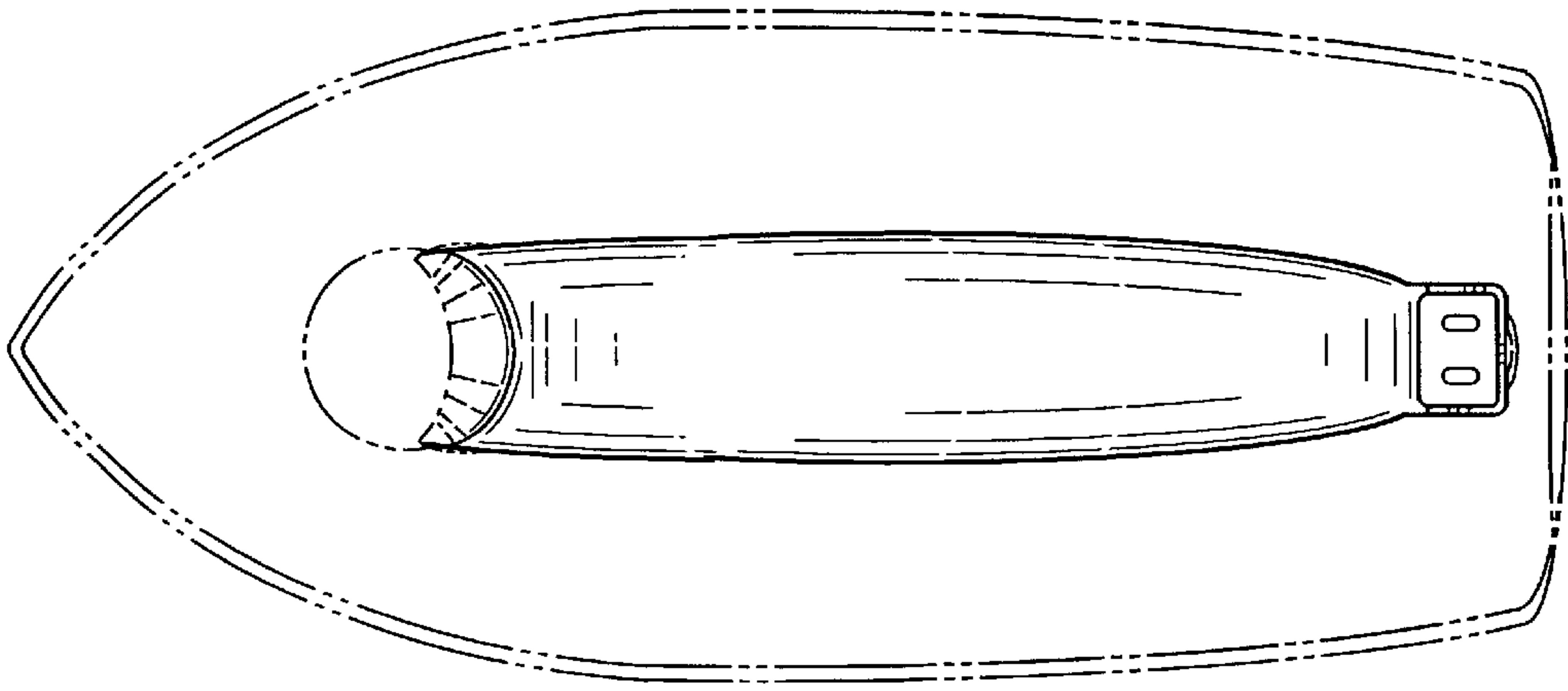


FIG. 2

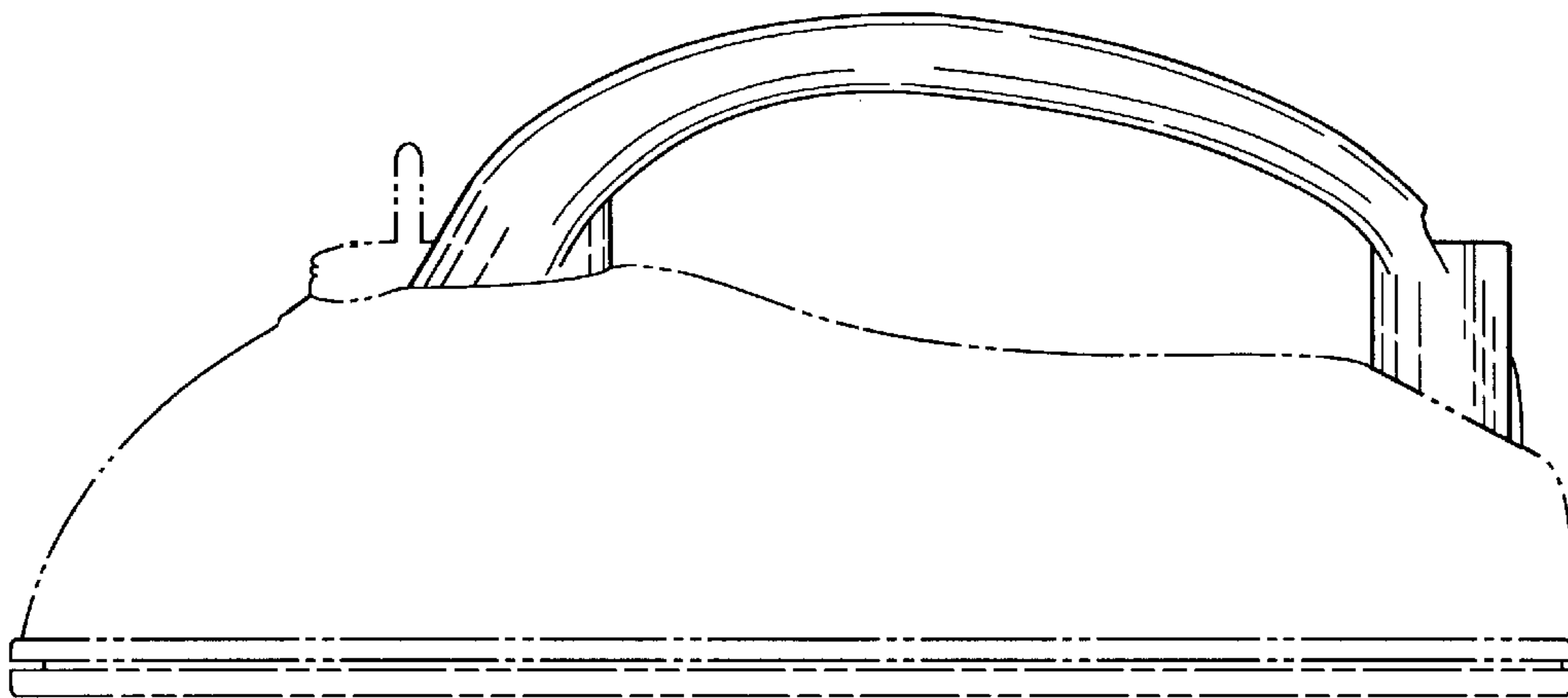


FIG. 3

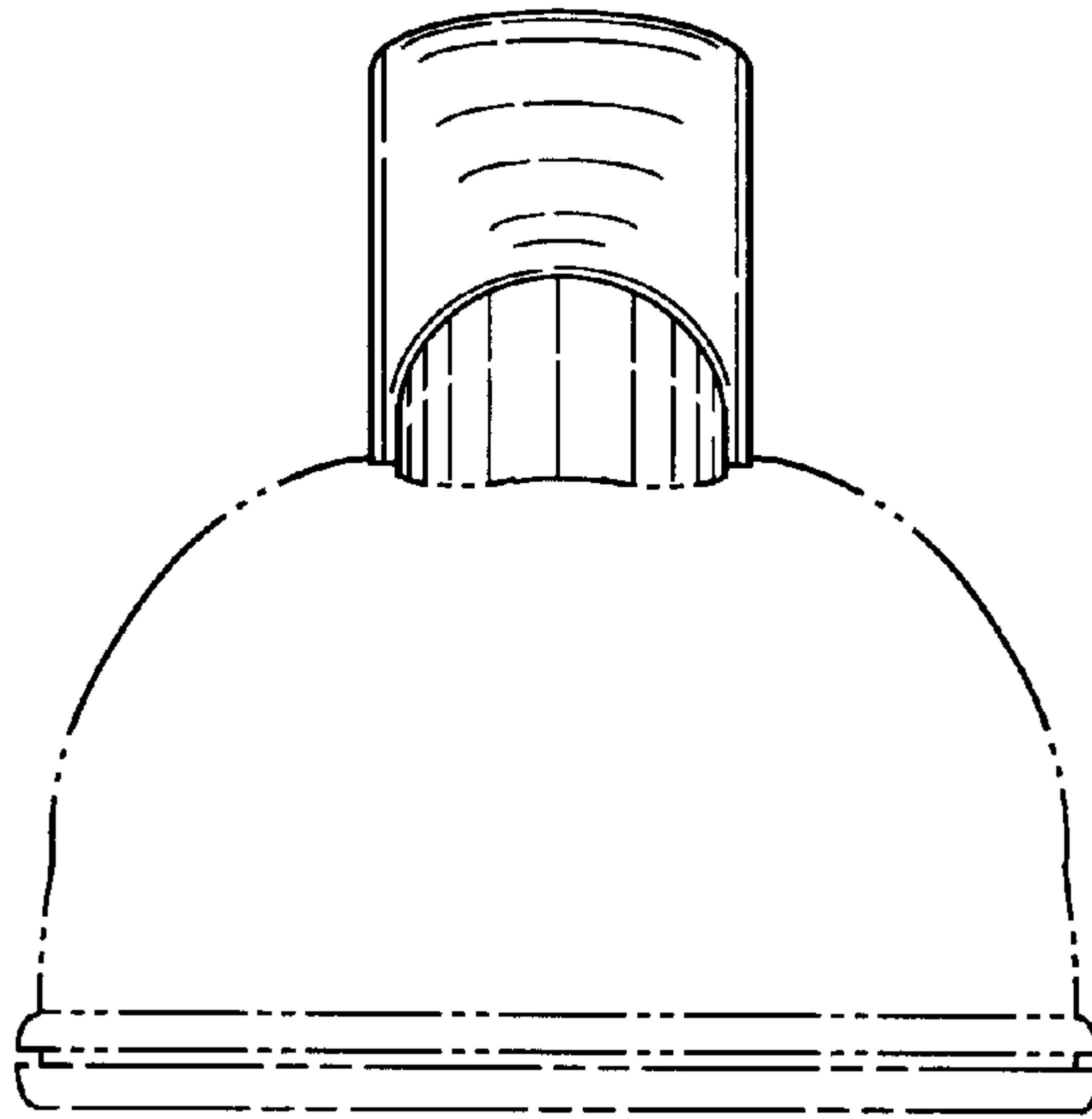


FIG. 4

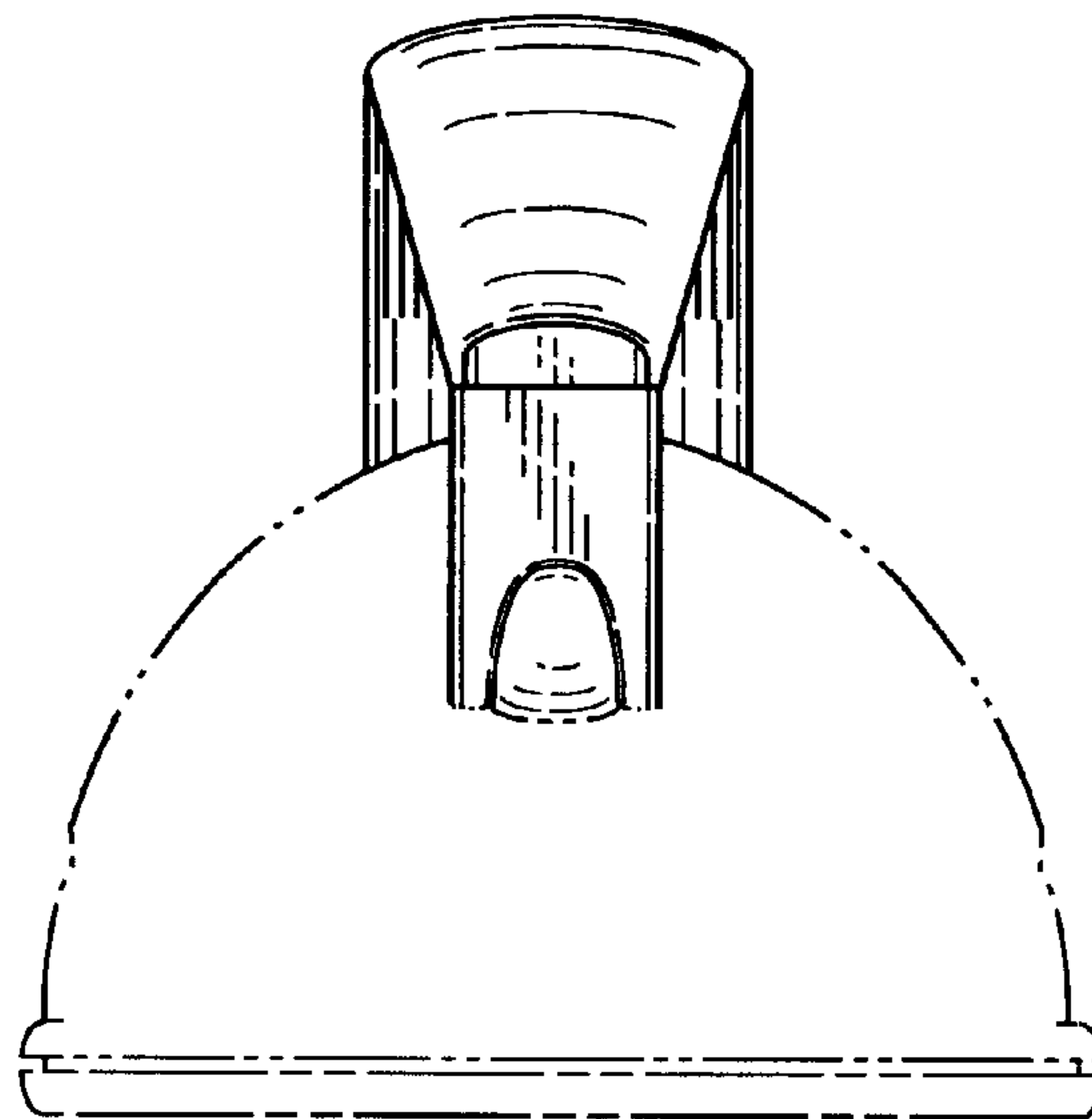


FIG. 5