



US00D484287S

(12) **United States Design Patent**
Murphy et al.

(10) **Patent No.:** **US D484,287 S**

(45) **Date of Patent:** **** Dec. 23, 2003**

(54) **SUCTION NOZZLE**

(75) Inventors: **John S. Murphy**, Brookpark, OH (US);
David Khalil, Highland Heights, OH
(US); **Craig M. Saunders**, Rocky
River, OH (US); **Robert A. Matousek**,
Lakewood, OH (US); **Jeffrey M.**
Kalman, Cleveland Heights, OH (US);
Lindsey Tufts, Jr., Euclid, OH (US)

(73) Assignee: **Royal Appliance Mfg. Co.**,
Glenwillow, OH (US)

(**) Term: **14 Years**

(21) Appl. No.: **29/174,050**

(22) Filed: **Jan. 10, 2003**

(51) **LOC (7) Cl.** **15-05**

(52) **U.S. Cl.** **D32/32**

(58) **Field of Search** D32/31-33, 21,
D32/22, 23; 15/415.1-422.1, 321-322,
400, 414

(56) **References Cited**

U.S. PATENT DOCUMENTS

D311,615 S * 10/1990 Berfield et al. D32/32
D331,991 S 12/1992 Wright et al.
D335,941 S 5/1993 Wright et al.
5,347,679 A 9/1994 Saunders et al.

D359,604 S 6/1995 Sovis et al.
D381,144 S * 7/1997 Moine et al. D32/32
D392,780 S * 3/1998 Holsten et al. D32/33
D424,766 S * 5/2000 Martin D32/32
D439,711 S * 3/2001 Griffin D32/32
D468,499 S * 1/2003 Kitts D32/32

OTHER PUBLICATIONS

“Dirt Devil Handy Quick Parts Mailer”, Dec. 2001, 2 pgs.

* cited by examiner

Primary Examiner—Ruth McInroy

(74) *Attorney, Agent, or Firm*—Fay, Sharpe, Fagan,
Minnich & McKee, LLP

(57) **CLAIM**

The ornamental design for a suction nozzle, as shown and
described.

DESCRIPTION

FIG. 1 is a perspective view of a suction nozzle showing our
new design;
FIG. 2 is a top plan view thereof;
FIG. 3 is a bottom plan view thereof;
FIG. 4 is a left side elevational view thereof;
FIG. 5 is a front elevational view thereof;
FIG. 6 is a right side elevational view thereof; and,
FIG. 7 is a rear elevational view thereof.

1 Claim, 2 Drawing Sheets

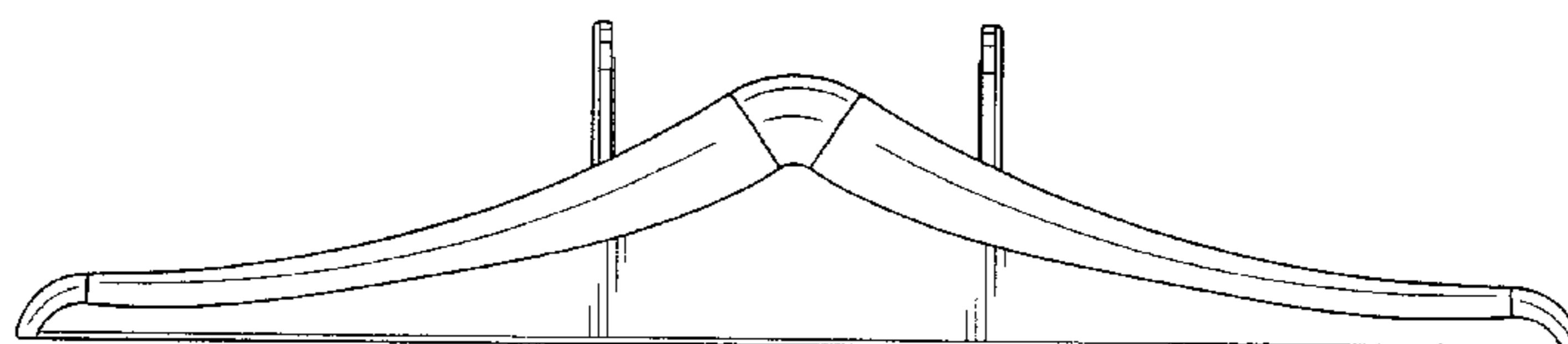
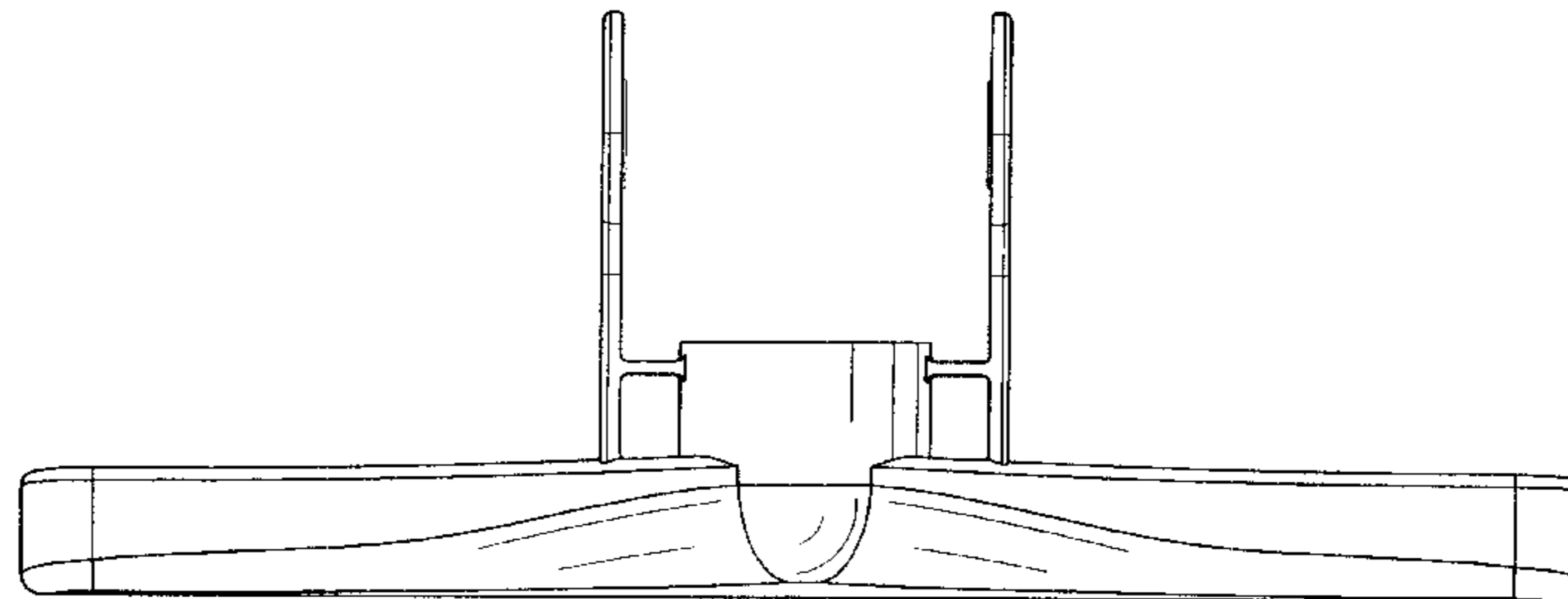
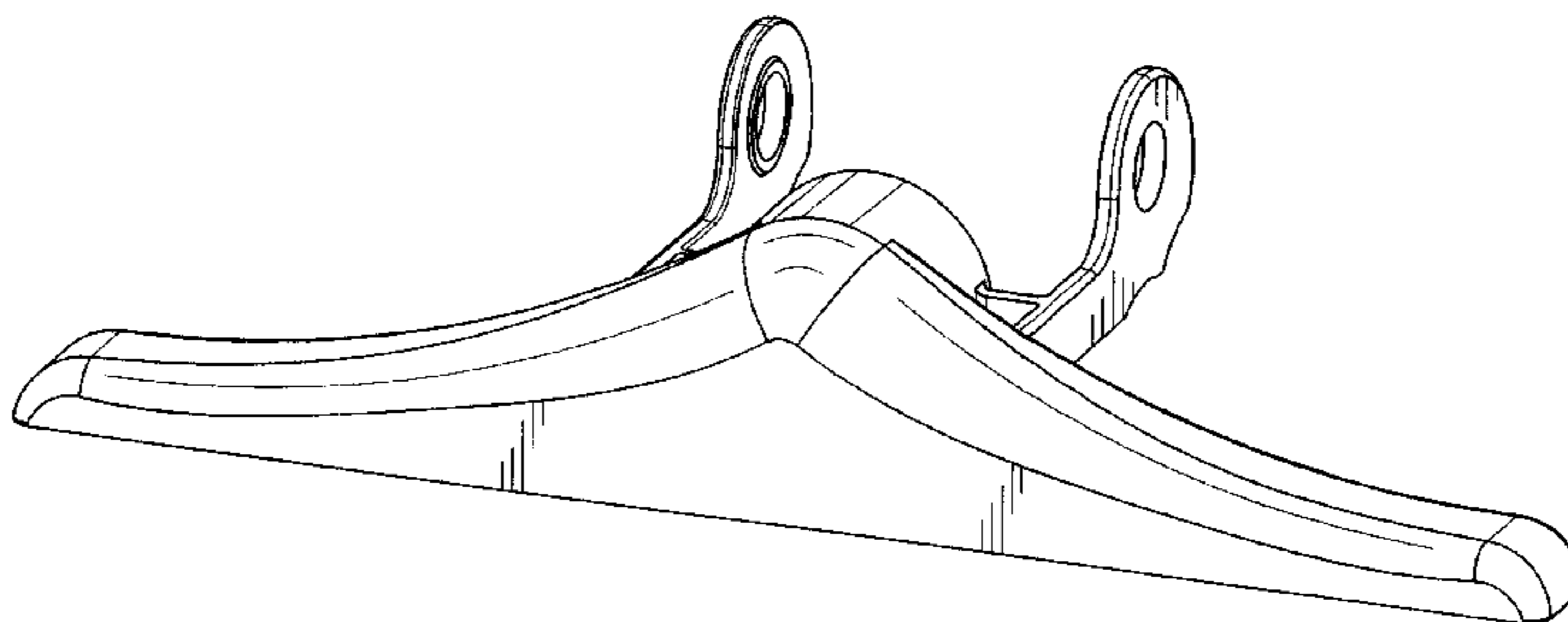


FIG. 1

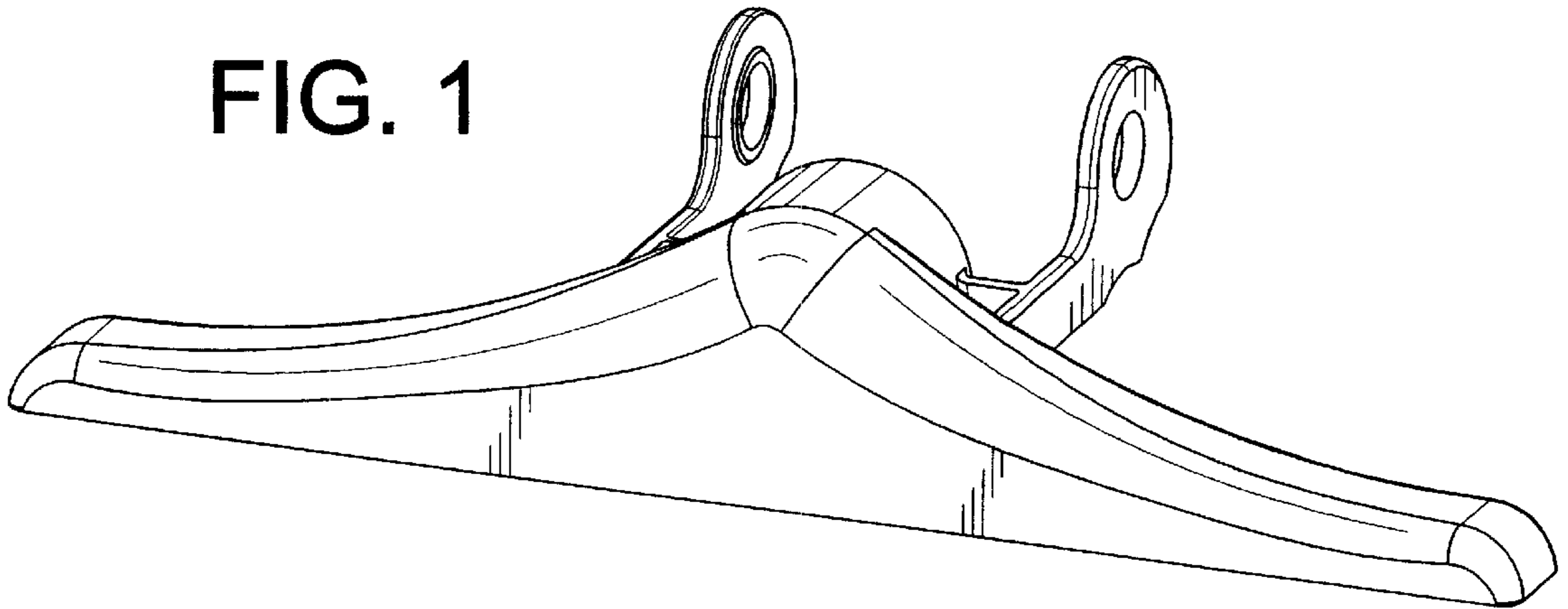


FIG. 2

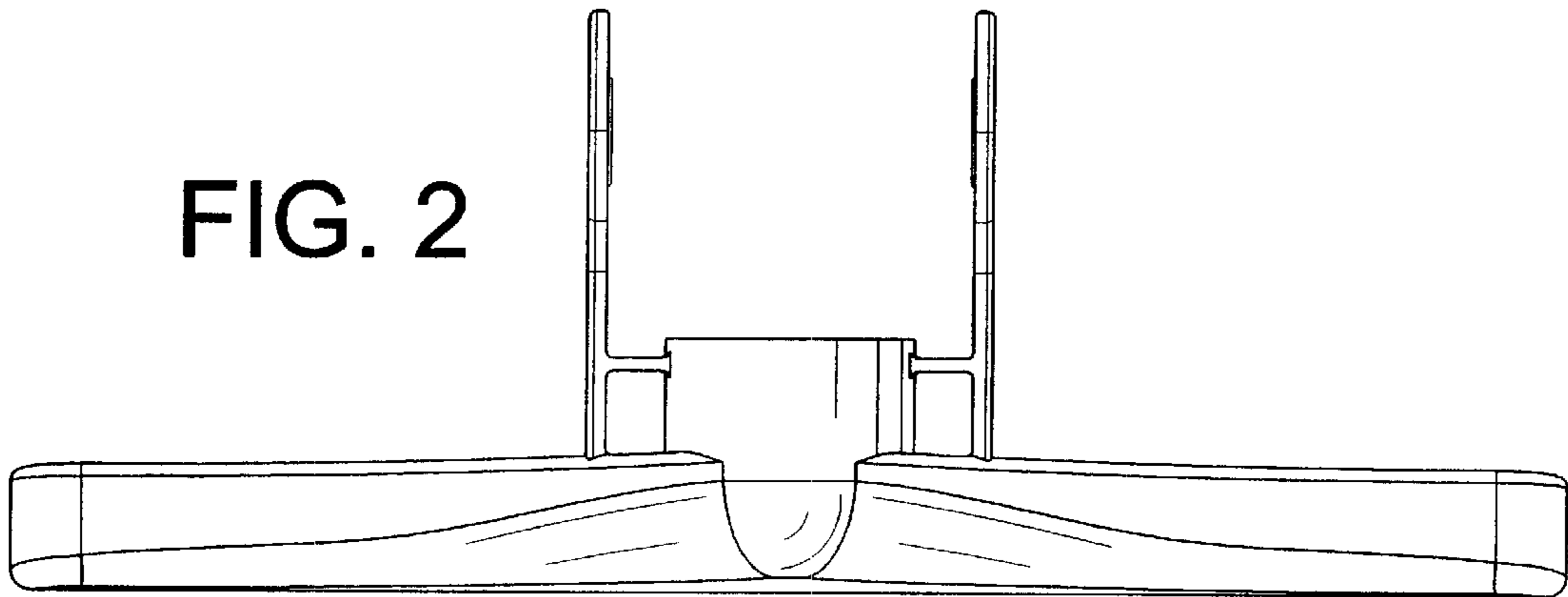
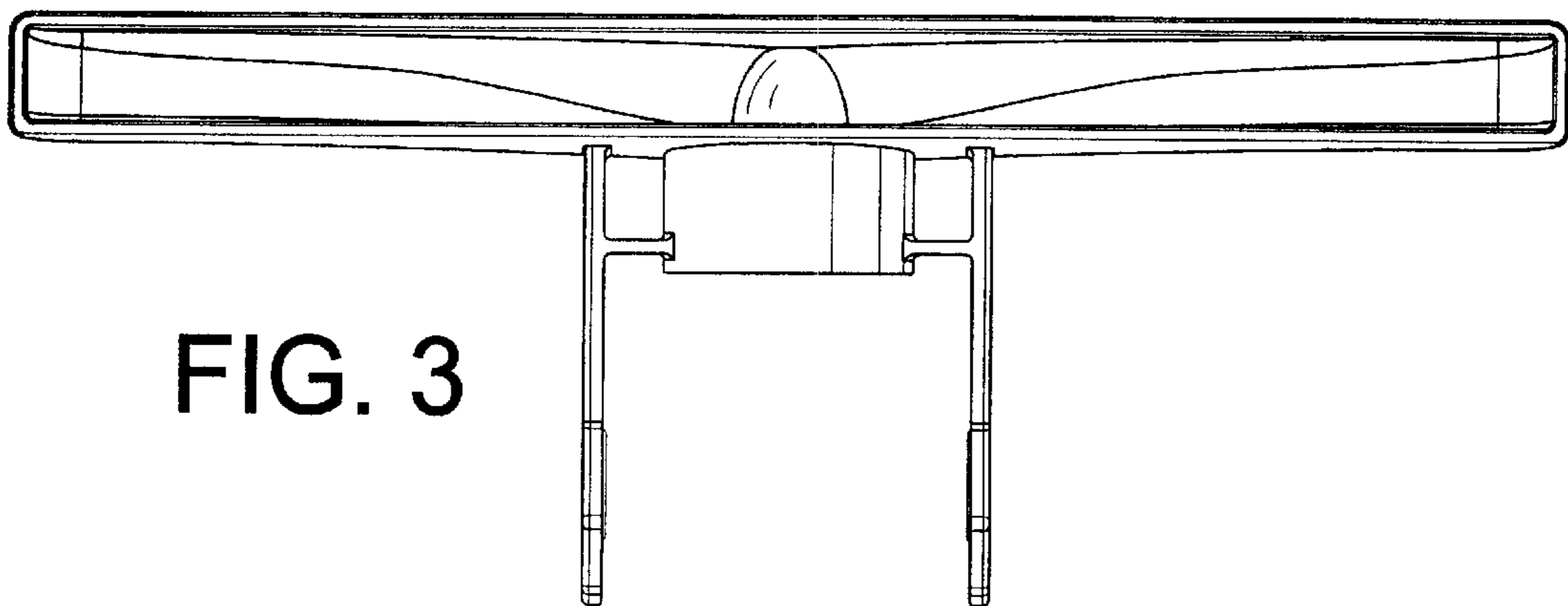


FIG. 3



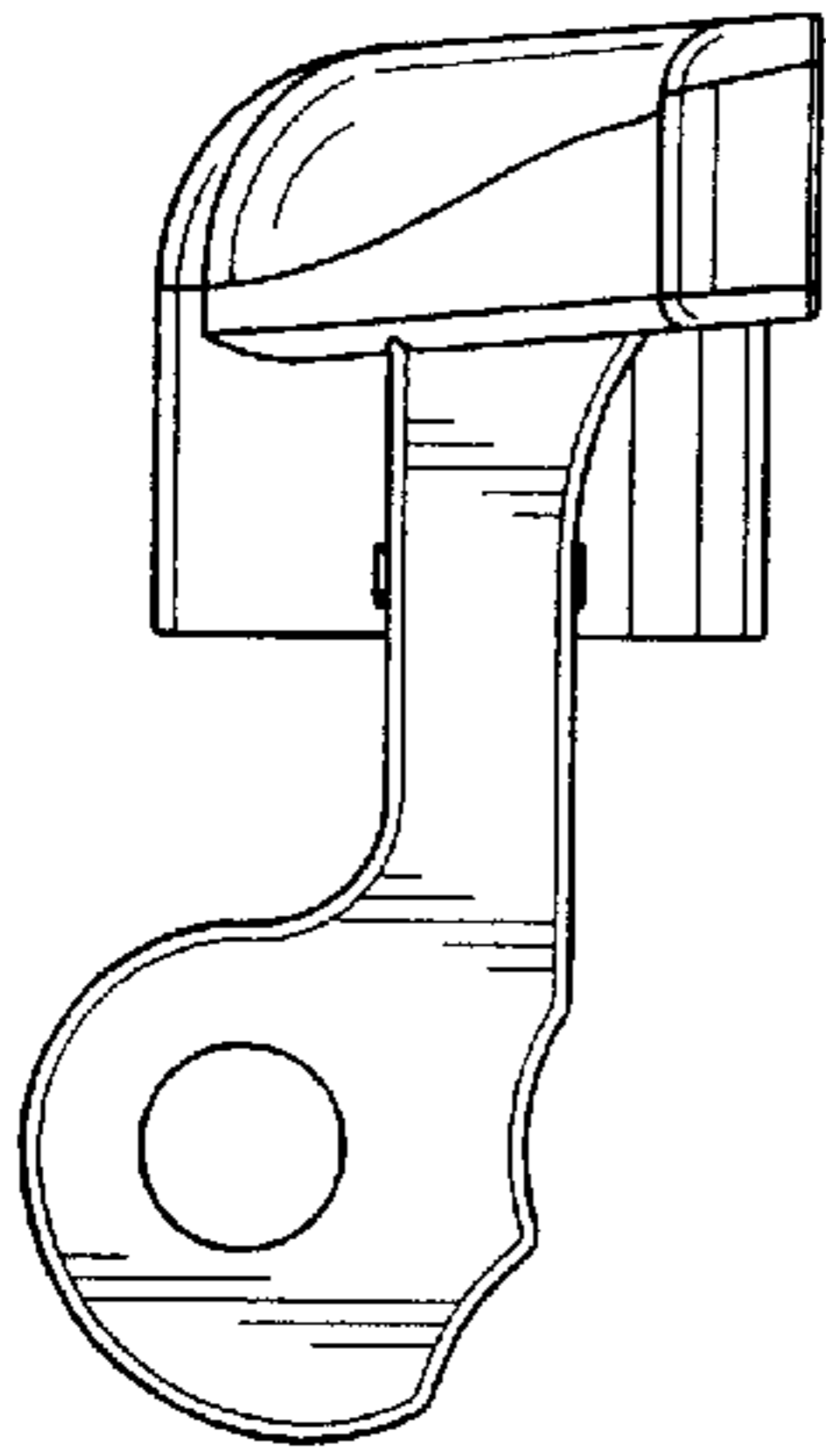


FIG. 4

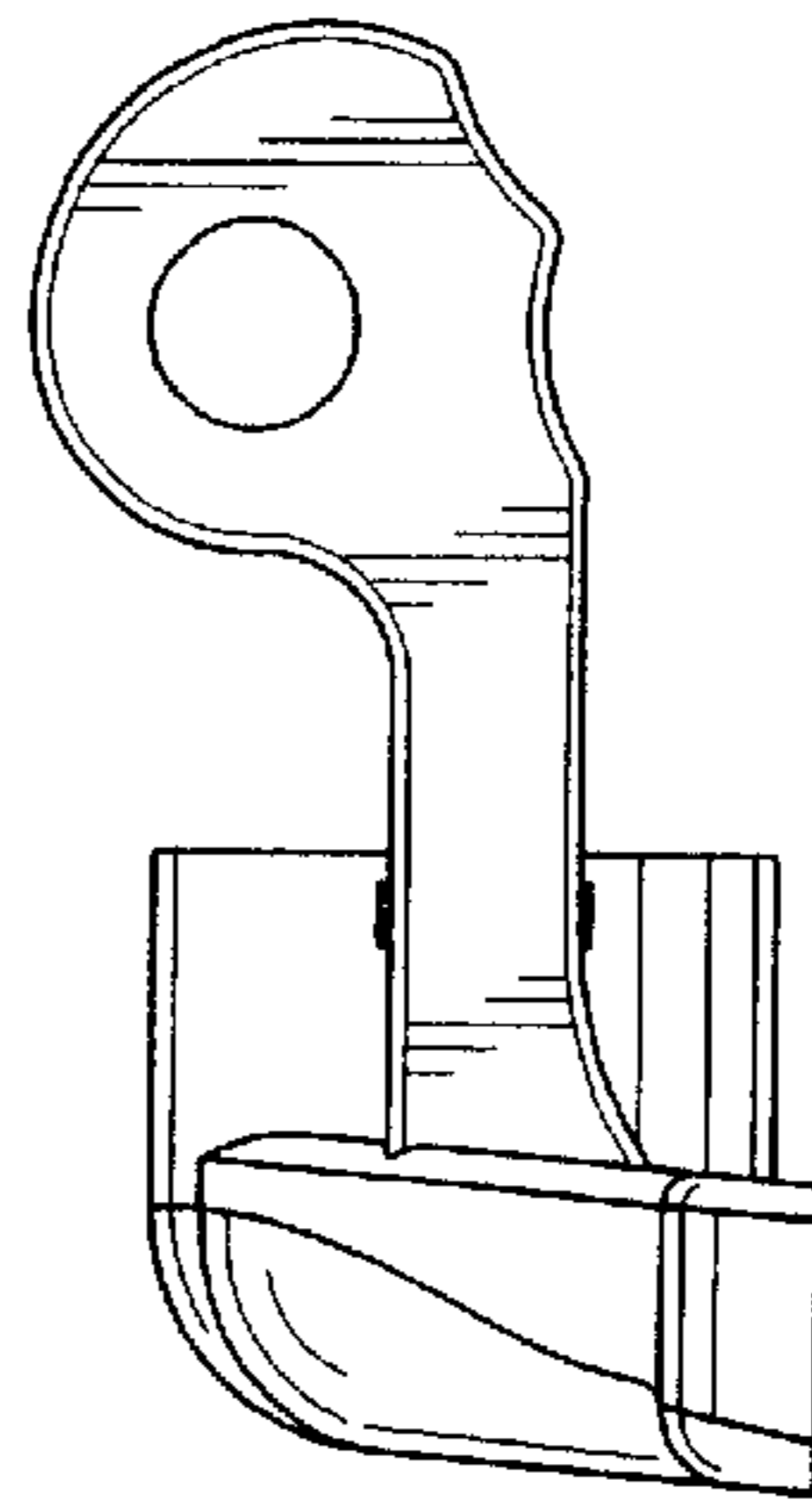


FIG. 6

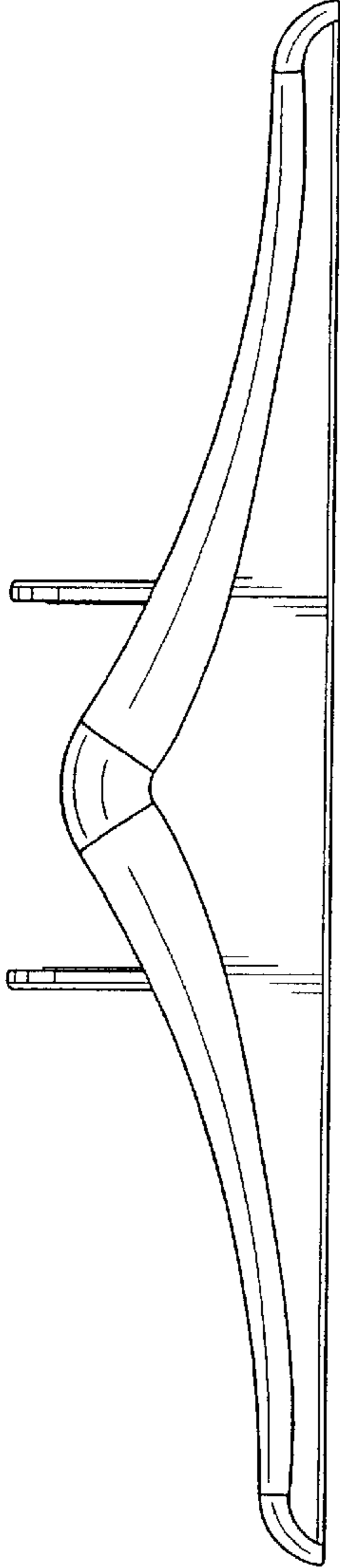


FIG. 5

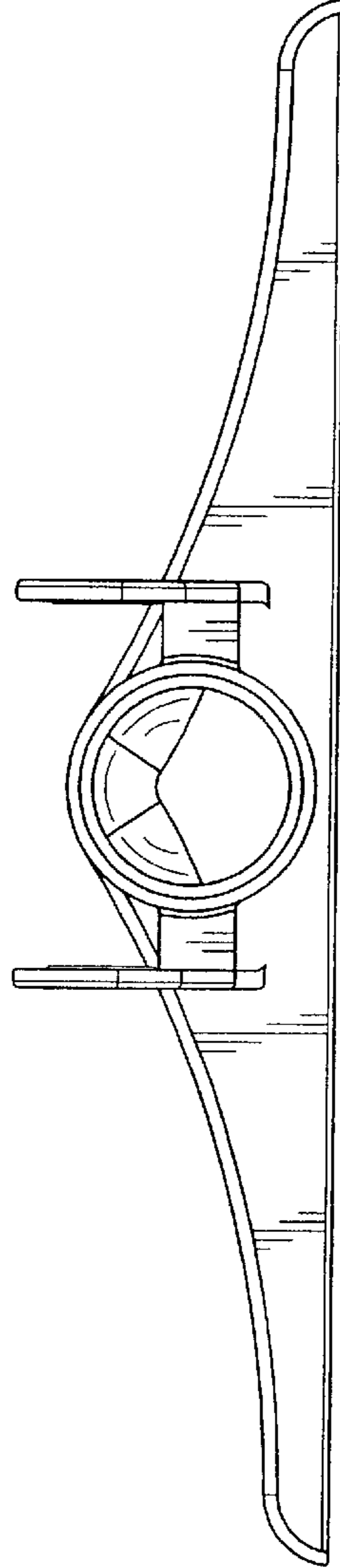


FIG. 7