



US00D484286S

(12) **United States Design Patent**
Dyson et al.

(10) **Patent No.:** **US D484,286 S**

(45) **Date of Patent:** **** Dec. 23, 2003**

(54) **VACUUM CLEANER**

(75) **Inventors:** **James Dyson, Wiltshire (GB);**
Alexander Stuart Knox, Bath (GB);
Peter David Gammack, Bath (GB);
Michael David Ganderton, Bath (GB)

(73) **Assignee:** **Dyson Limited, Wiltshire (GB)**

(**) **Term:** **14 Years**

(21) **Appl. No.:** **29/164,117**

(22) **Filed:** **Jul. 19, 2002**

(30) **Foreign Application Priority Data**

Jan. 22, 2002 (GB) 3000842

(51) **LOC (7) Cl.** **15-05**

(52) **U.S. Cl.** **D32/24; D32/21**

(58) **Field of Search** **D32/21, 31, 23-24,**
D32/1; 15/327.1, 327.2, 327.3, 327.4, 327.6,
327.7, 323, 320-321; 55/345, DIG. 3, 459.1

(56) **References Cited**

U.S. PATENT DOCUMENTS

D382,679 S * 8/1997 Dyson D32/21
D445,226 S * 7/2001 Jupp D32/21

D448,128 S * 9/2001 Oh D32/21
D460,843 S * 7/2002 Saimen et al. D32/21
6,482,246 B1 * 11/2002 Dyson et al. 55/459.1
6,484,350 B2 * 11/2002 Yung 15/327.1
D471,683 S * 3/2003 Dyson et al. D32/30
6,553,612 B1 * 4/2003 Dyson et al. 15/340.1
D477,443 S * 7/2003 Kondo et al. D32/21

* cited by examiner

Primary Examiner—Ruth McInroy

(74) *Attorney, Agent, or Firm*—Morrison & Foerster LLP

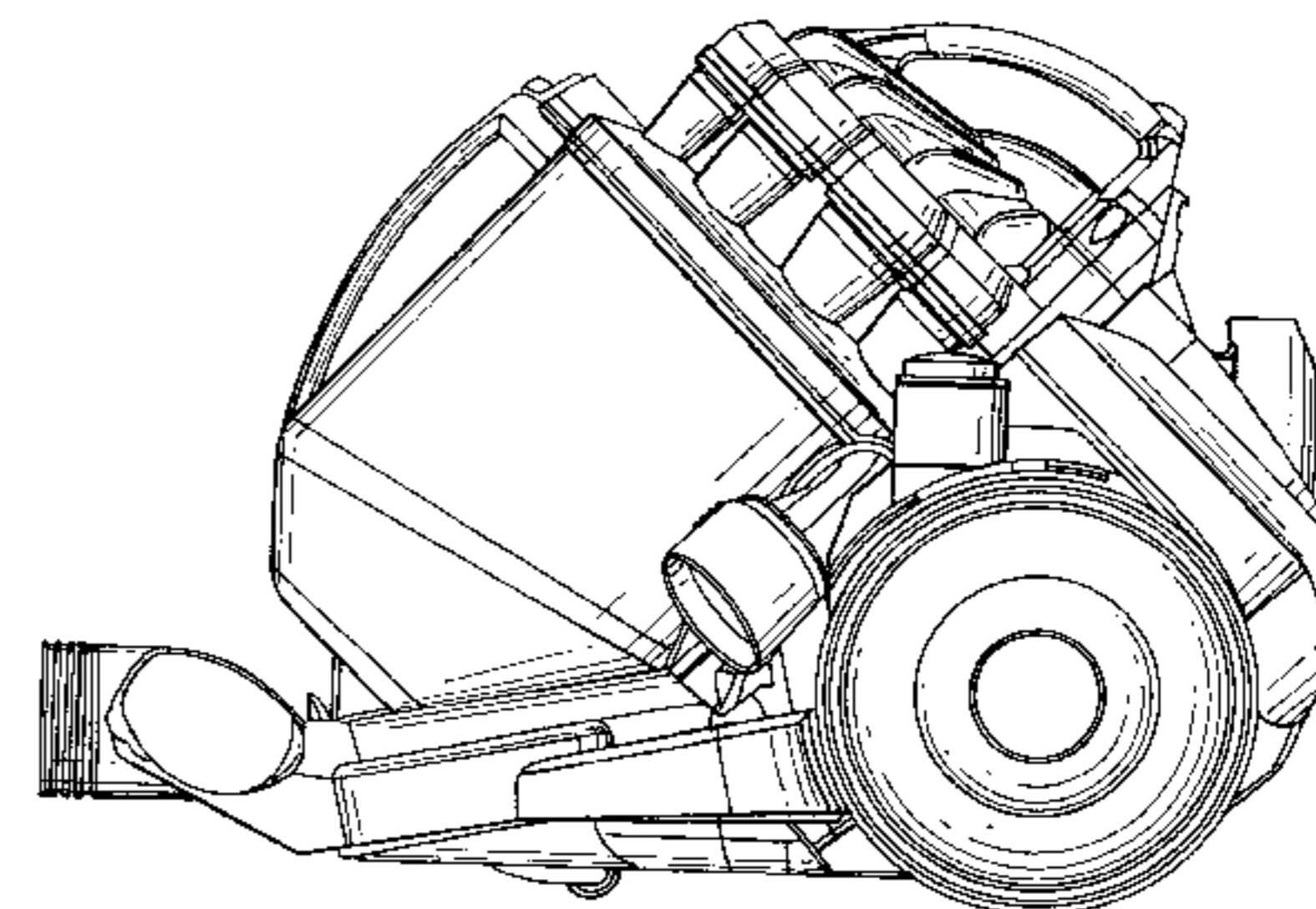
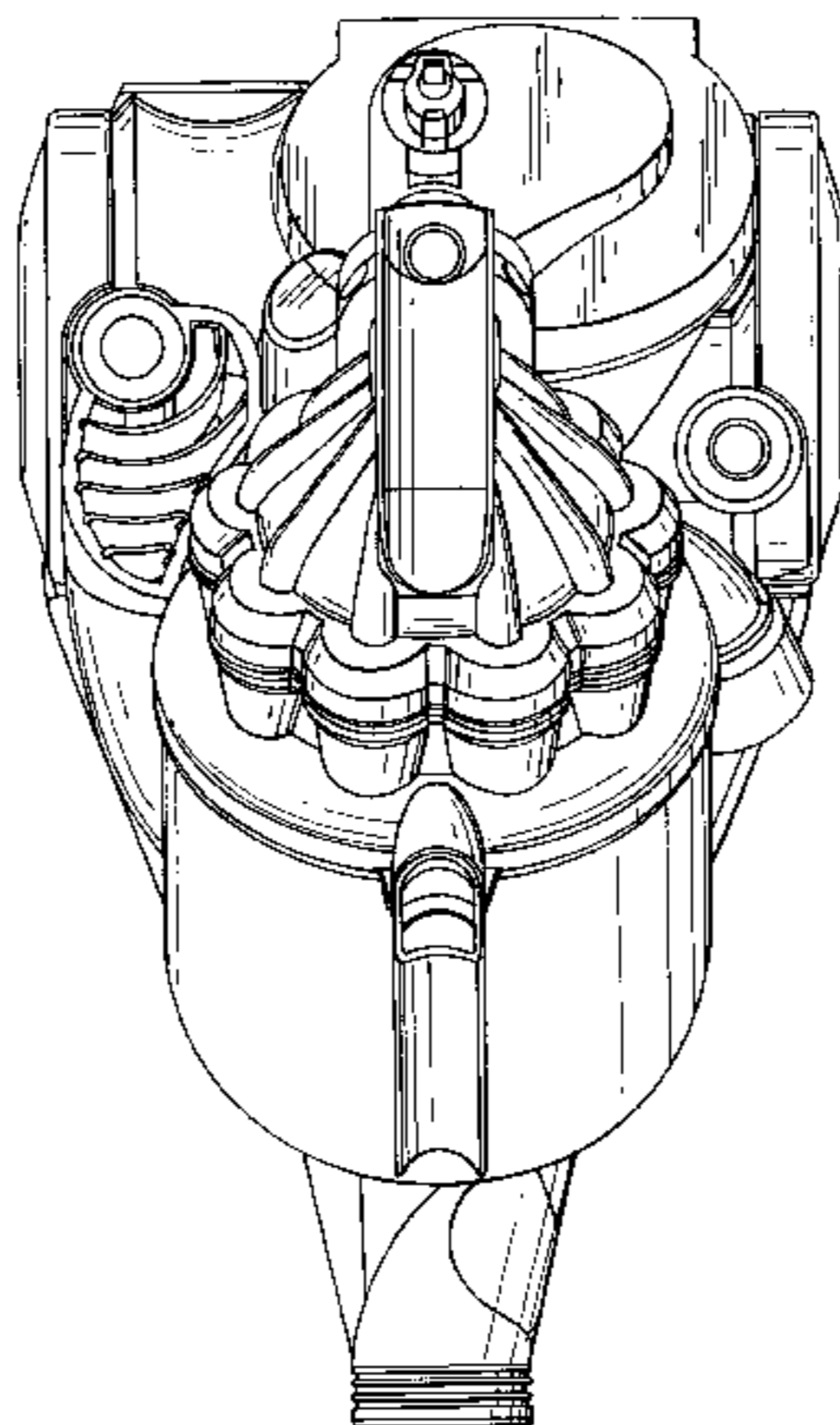
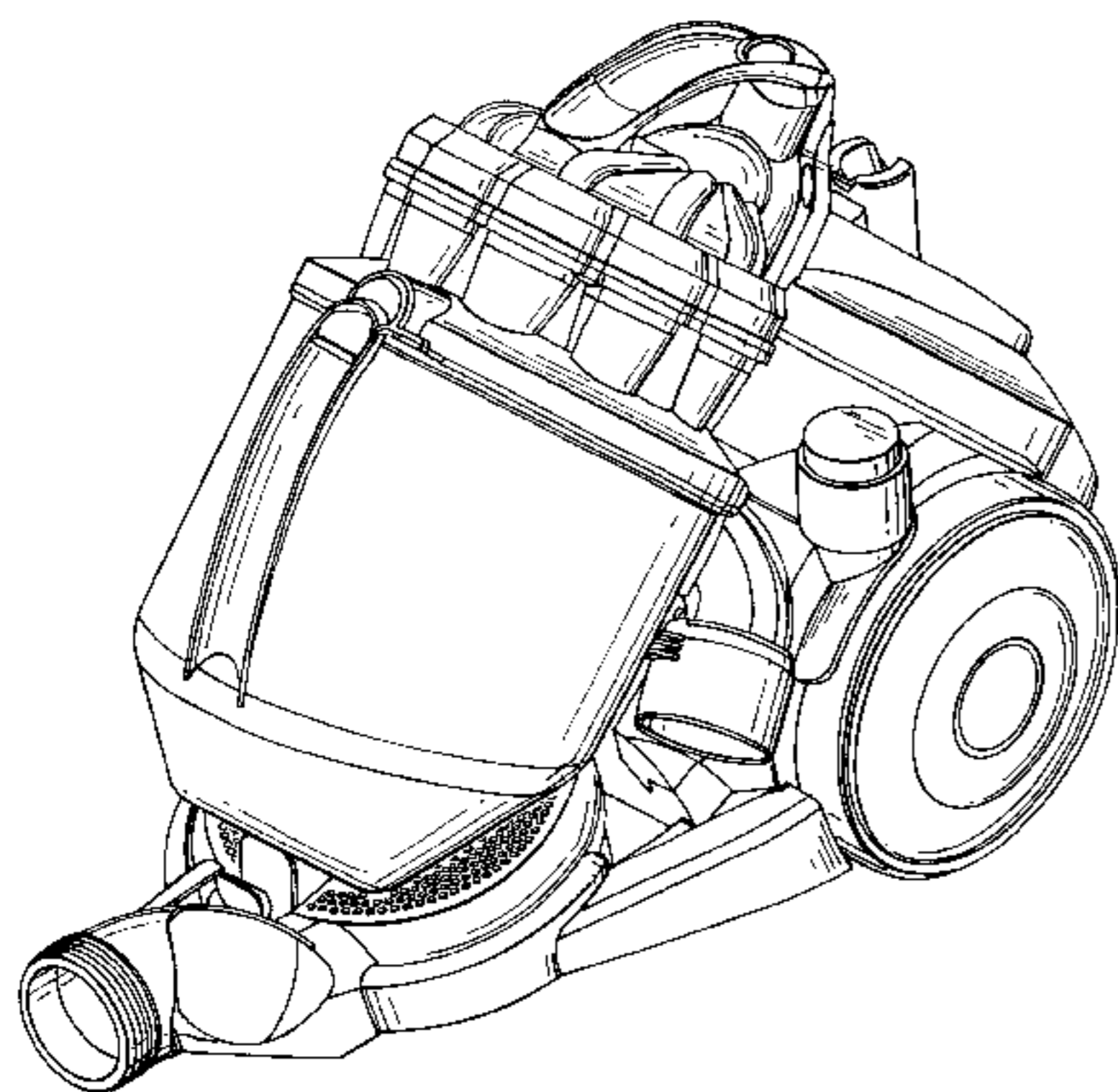
(57) **CLAIM**

We claim the ornamental design for a vacuum cleaner, as shown and described.

DESCRIPTION

FIG. 1 is a perspective view of a vacuum cleaner showing our new design;
FIG. 2 is a front view thereof;
FIG. 3 is a rear view thereof;
FIG. 4 is a top plan view thereof;
FIG. 5 is a bottom plan view thereof;
FIG. 6 is a left side view thereof; and,
FIG. 7 is a right side view thereof.

1 Claim, 7 Drawing Sheets



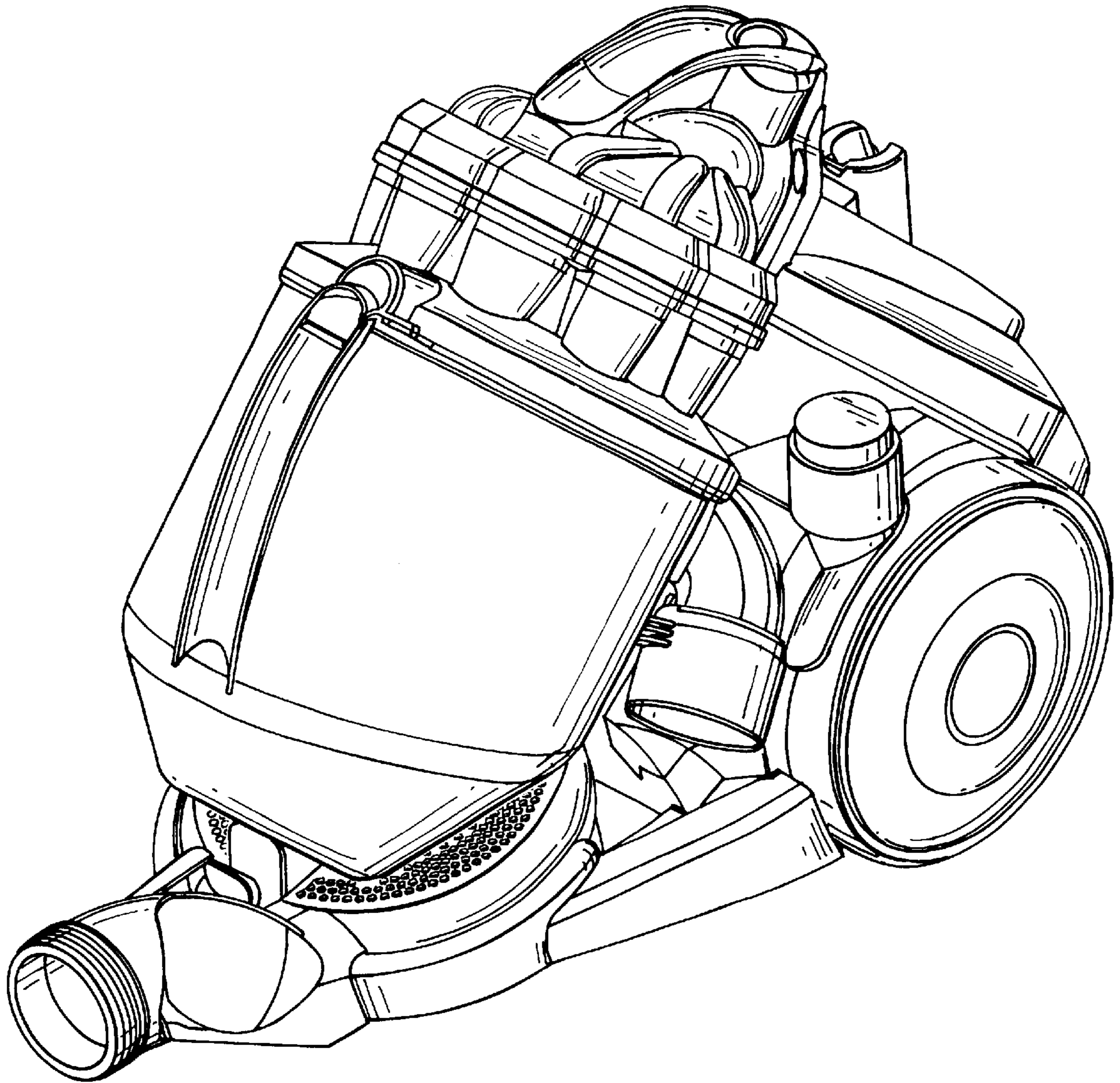


Fig. 1

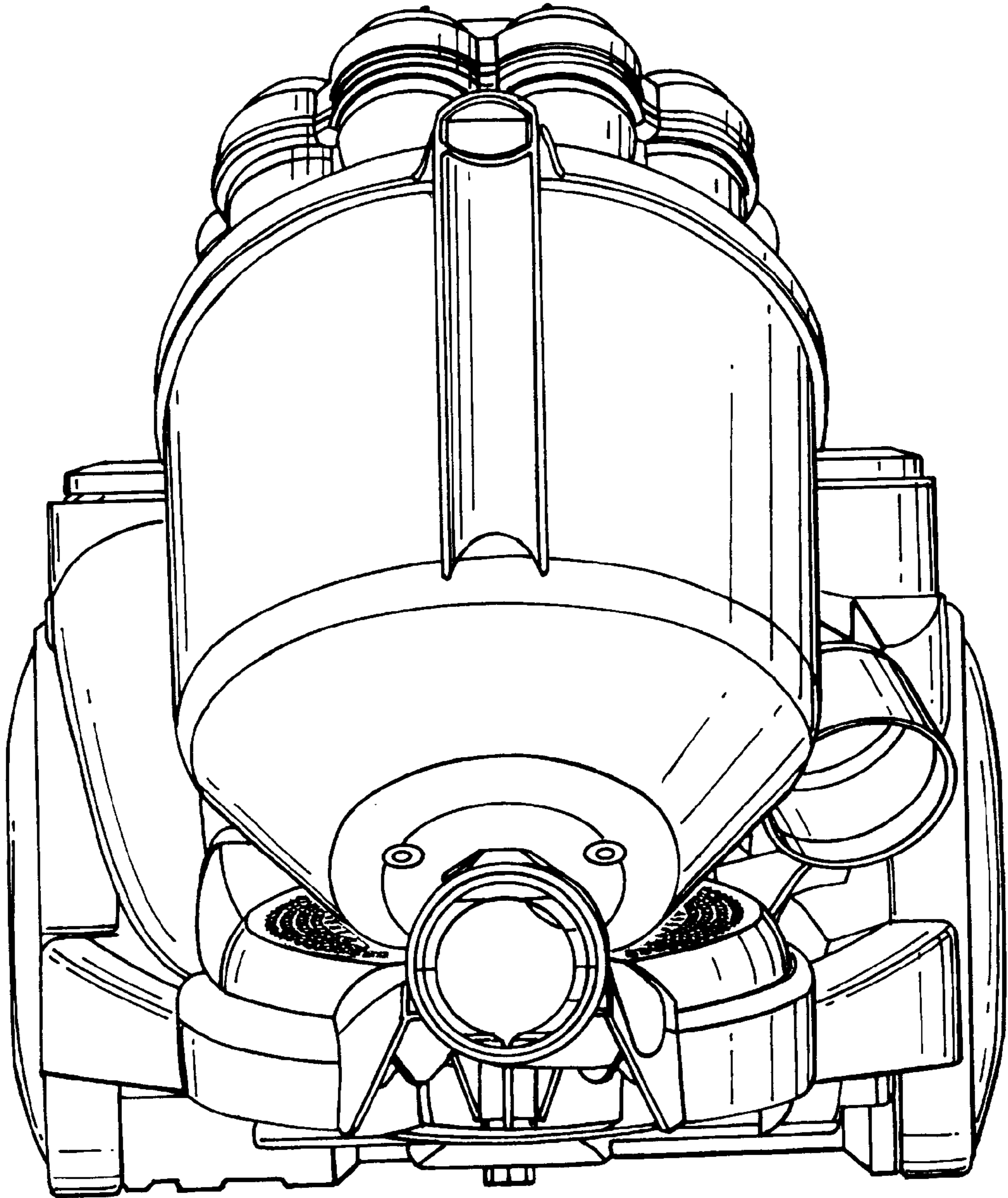


Fig. 2

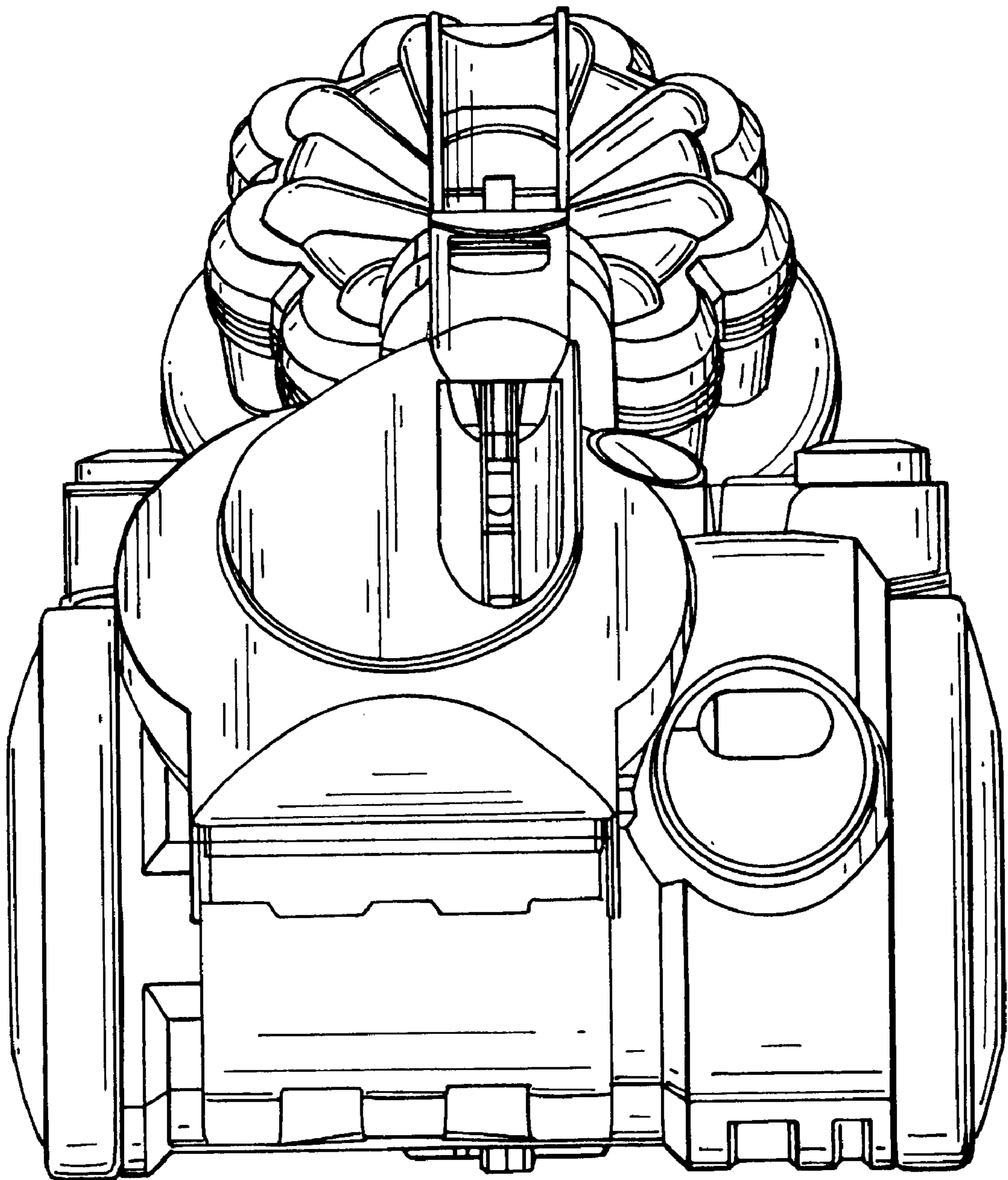


Fig. 3

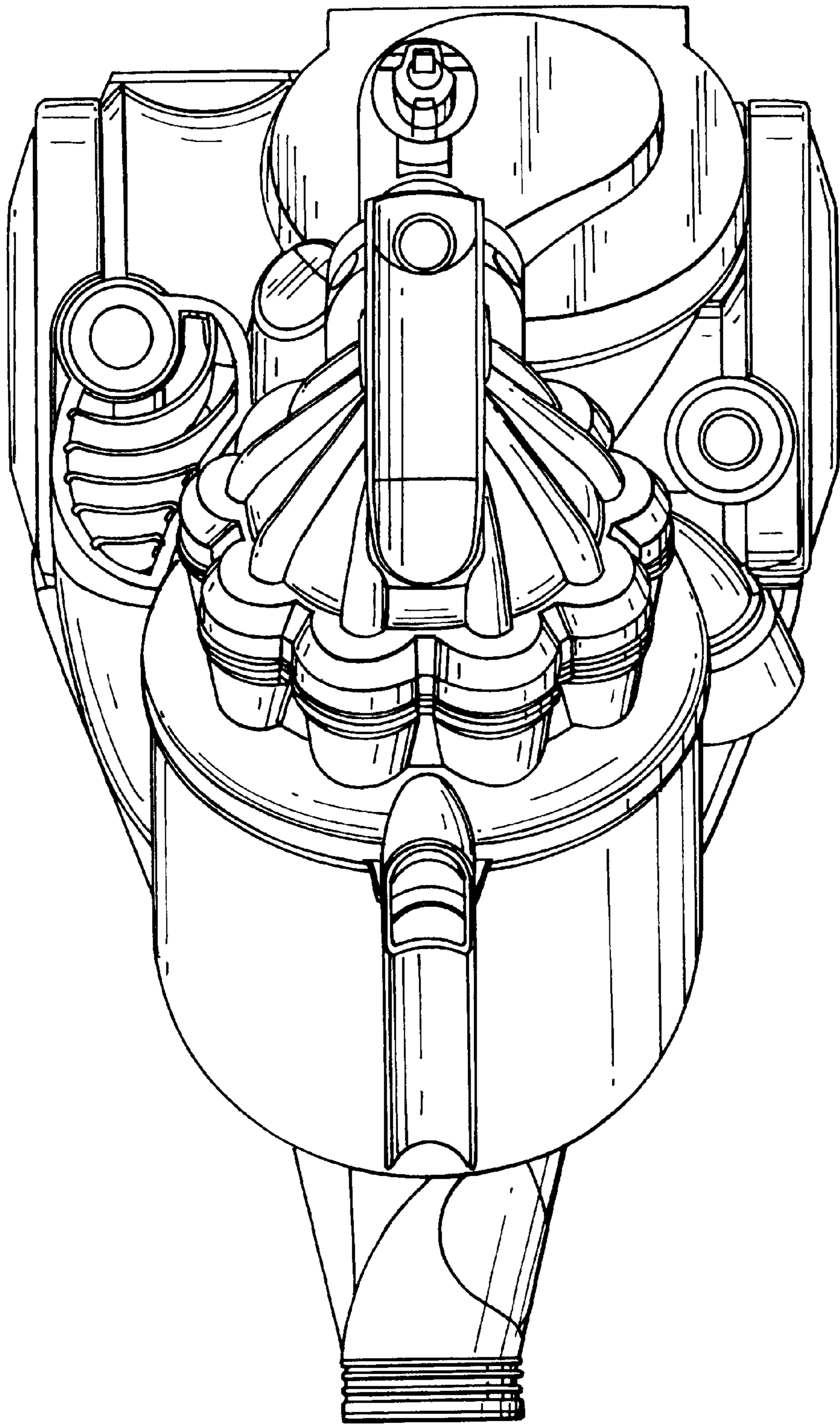


Fig. 4

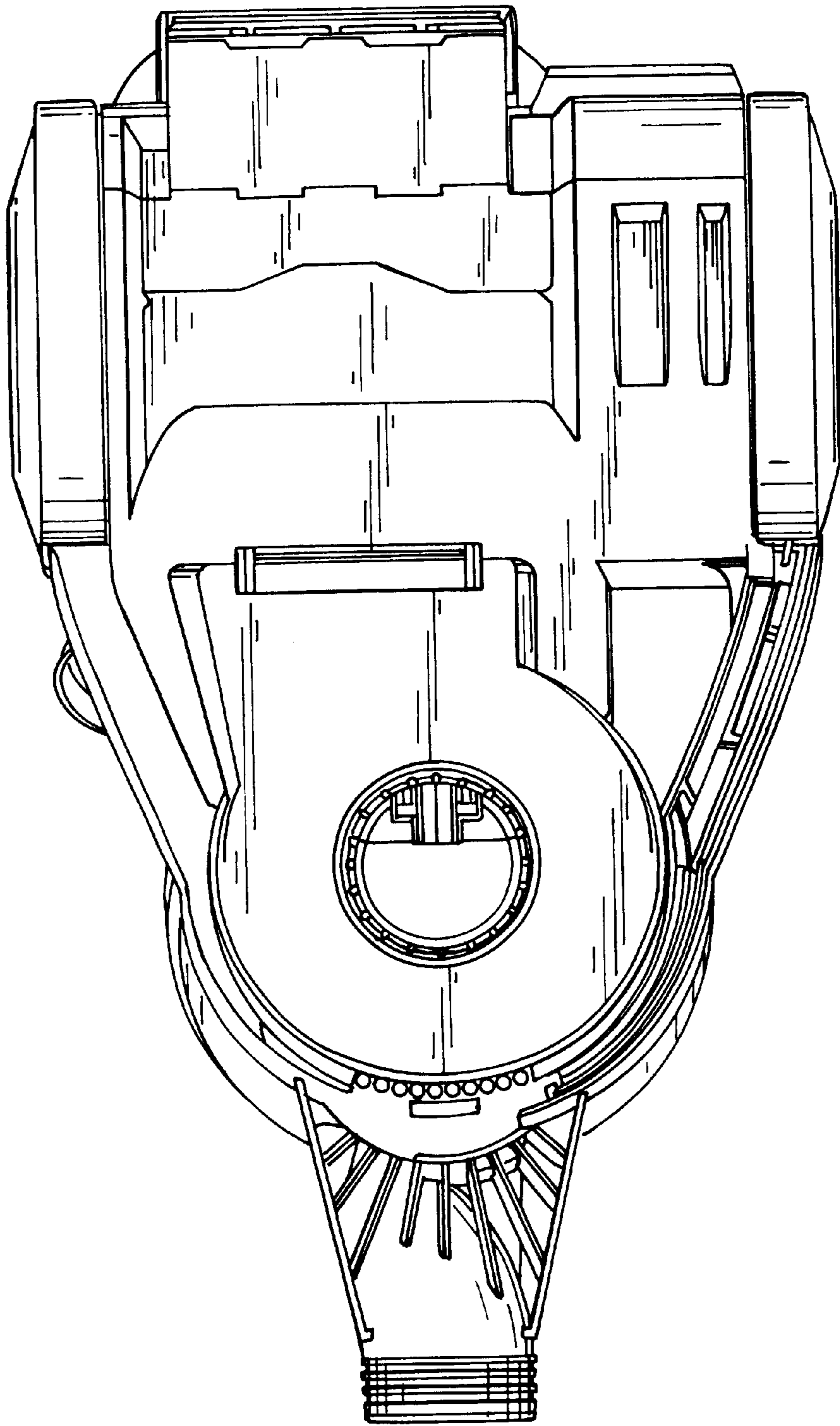


Fig. 5

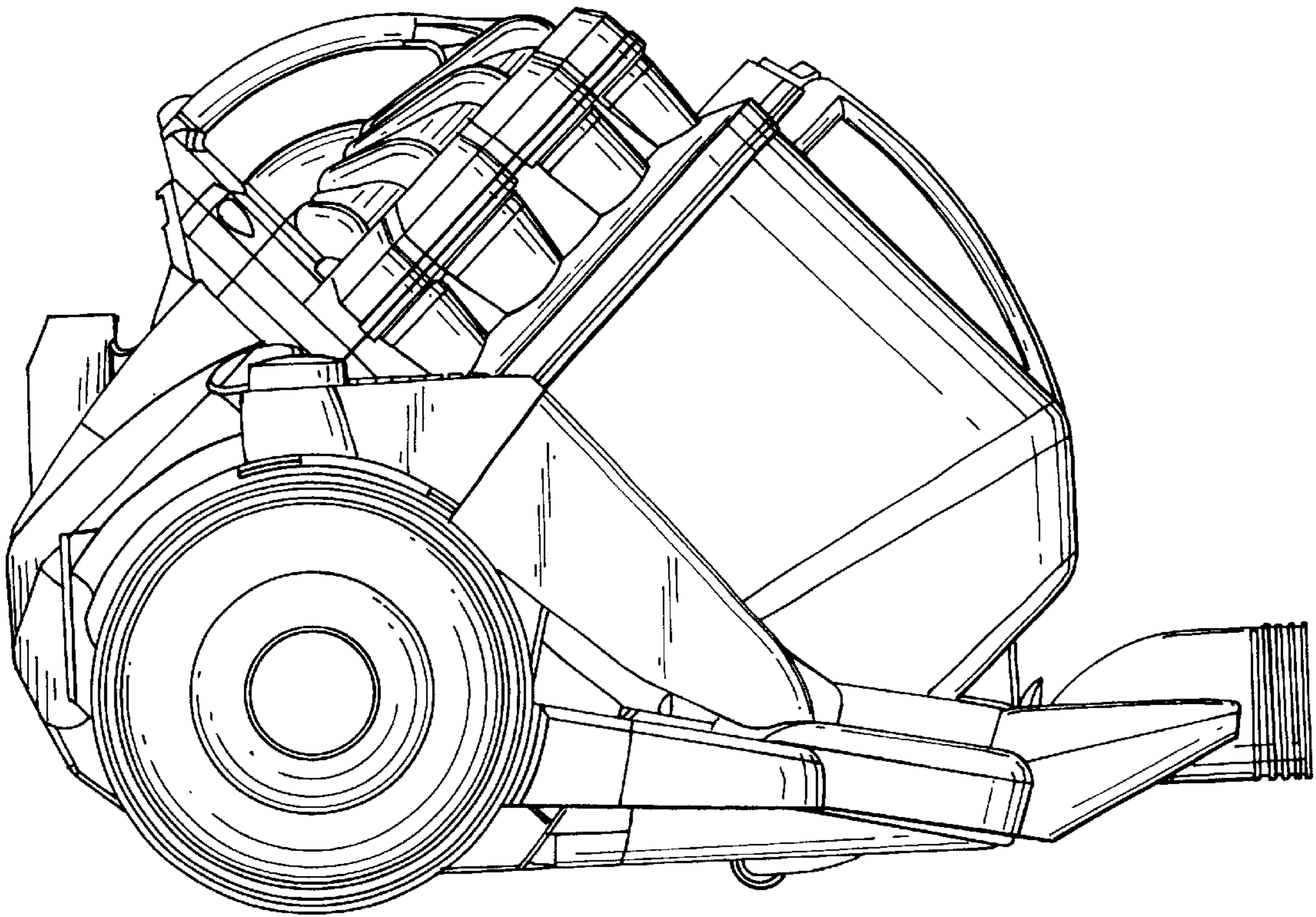


Fig. 6

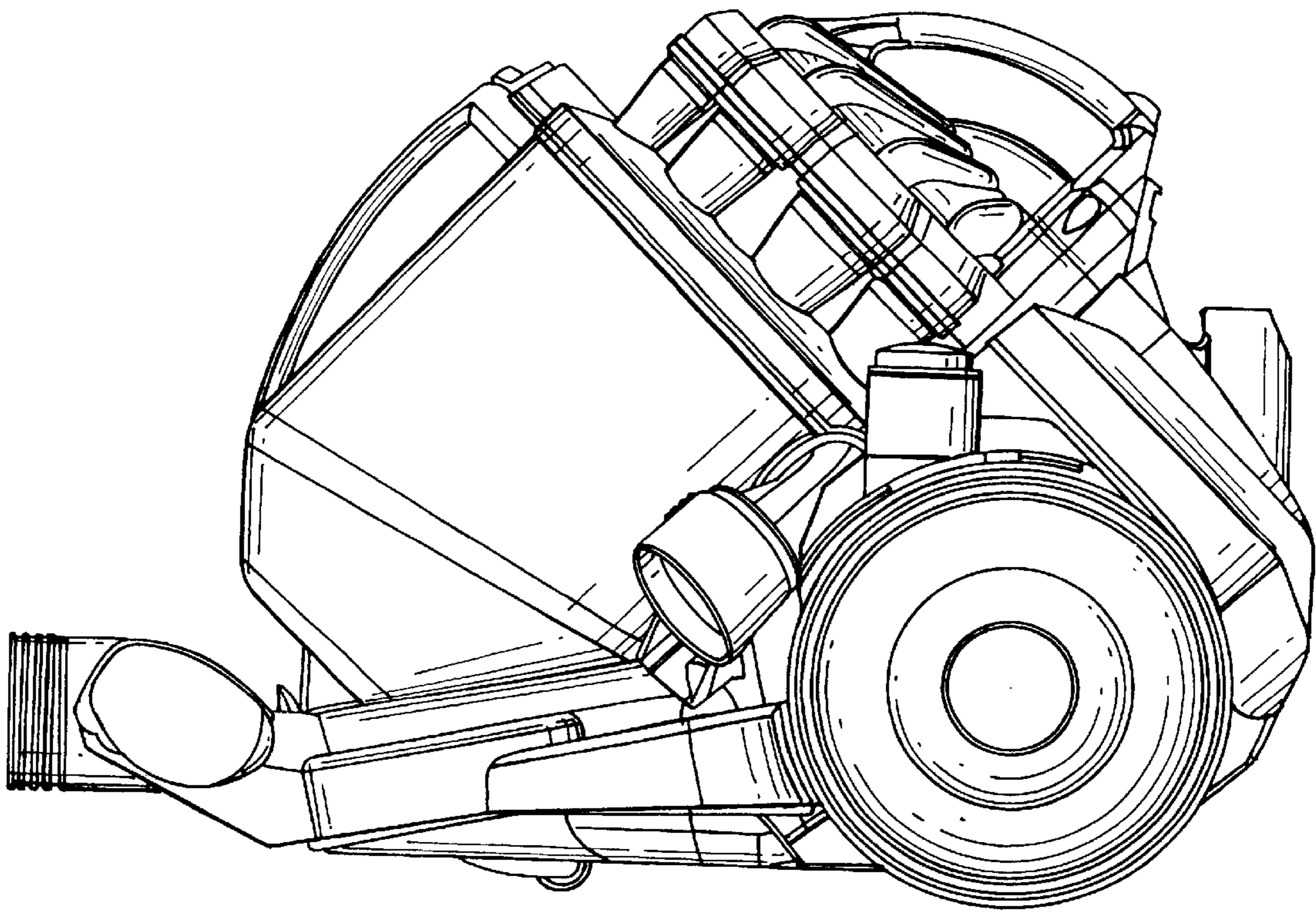


Fig. 7