



US00D484282S

(12) **United States Design Patent**
Lockwood

(10) **Patent No.:** **US D484,282 S**

(45) **Date of Patent:** **** Dec. 23, 2003**

(54) **COMBINED AQUARIUM STAND AND LIGHTS**

(76) **Inventor:** **Fred Lee Lockwood**, 10690 Weymouth St., No. 201, Bethesda, MD (US) 20814

(**) **Term:** **14 Years**

(21) **Appl. No.:** **29/150,053**

(22) **Filed:** **Nov. 2, 2001**

(51) **LOC (7) Cl.** **30-02**

(52) **U.S. Cl.** **D30/106**

(58) **Field of Search** D30/101-107;
119/245-251, 253, 265-267, 269, 223;
D11/145; 47/69; 40/406-409; D26/51, 55,
60-62, 65, 92; D6/470, 477, 446, 436,
397, 399, 484, 432

(56) **References Cited**

U.S. PATENT DOCUMENTS

- 1,297,254 A * 3/1919 Sato 119/267
- D78,013 S * 3/1929 Downie D30/104
- D109,478 S * 5/1938 Furrey D30/102
- D134,688 S * 12/1942 Waltman D30/104
- D134,689 S * 12/1942 Waltman D30/104
- D182,299 S * 3/1958 Monaghan D6/399
- D205,463 S * 8/1966 Zelenko D26/62
- D215,162 S * 9/1969 Robichaud D6/399
- 3,854,450 A * 12/1974 Puckett 119/248

- D237,898 S * 12/1975 Austin et al. D11/145
- D240,363 S * 6/1976 Weigel D30/106
- D253,555 S * 11/1979 Browne D30/105
- 4,191,129 A * 3/1980 Renny 119/253
- D255,407 S * 6/1980 Brittner D6/470
- D291,426 S * 8/1987 Husbands D11/145
- 5,067,060 A * 11/1991 Sieracki 119/267
- 5,189,982 A * 3/1993 Liu 119/247
- 5,353,746 A * 10/1994 Rosario 119/266
- D381,104 S * 7/1997 Linstone D26/62
- D398,422 S * 9/1998 Rooks D30/104
- D436,763 S * 1/2001 Balolia D6/477

* cited by examiner

Primary Examiner—Cathy Anne MacCormac

(74) *Attorney, Agent, or Firm*—Birch, Stewart, Kolasch & Birch, LLP

(57) **CLAIM**

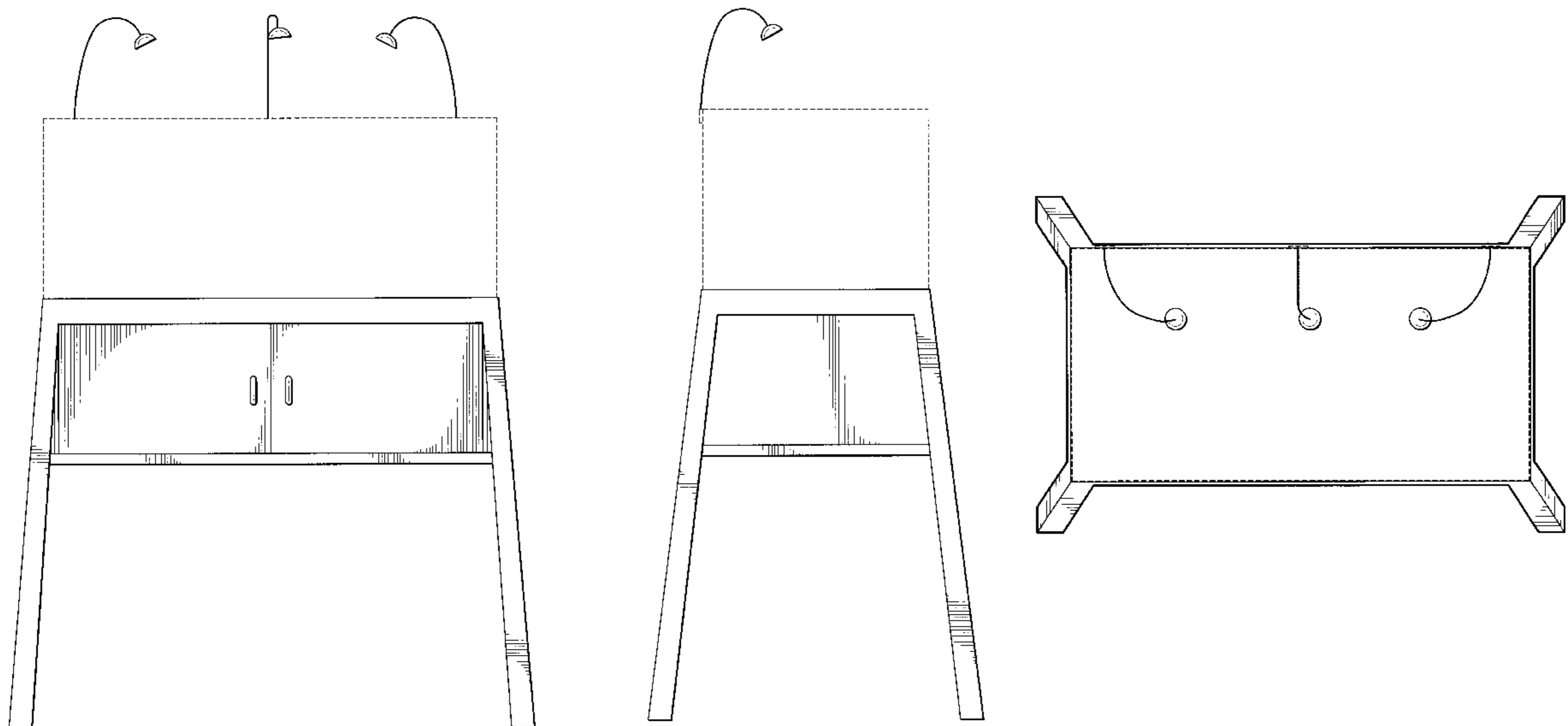
The ornamental design for a combined aquarium stand and lights, as shown and described.

DESCRIPTION

FIG. 1 is a front view of a combined aquarium stand and lights showing my new design; FIG. 2 is a side view thereof; and, FIG. 3 is a top view thereof.

The broken lines are for purposes of illustrations only and form no part of the claimed design.

1 Claim, 3 Drawing Sheets



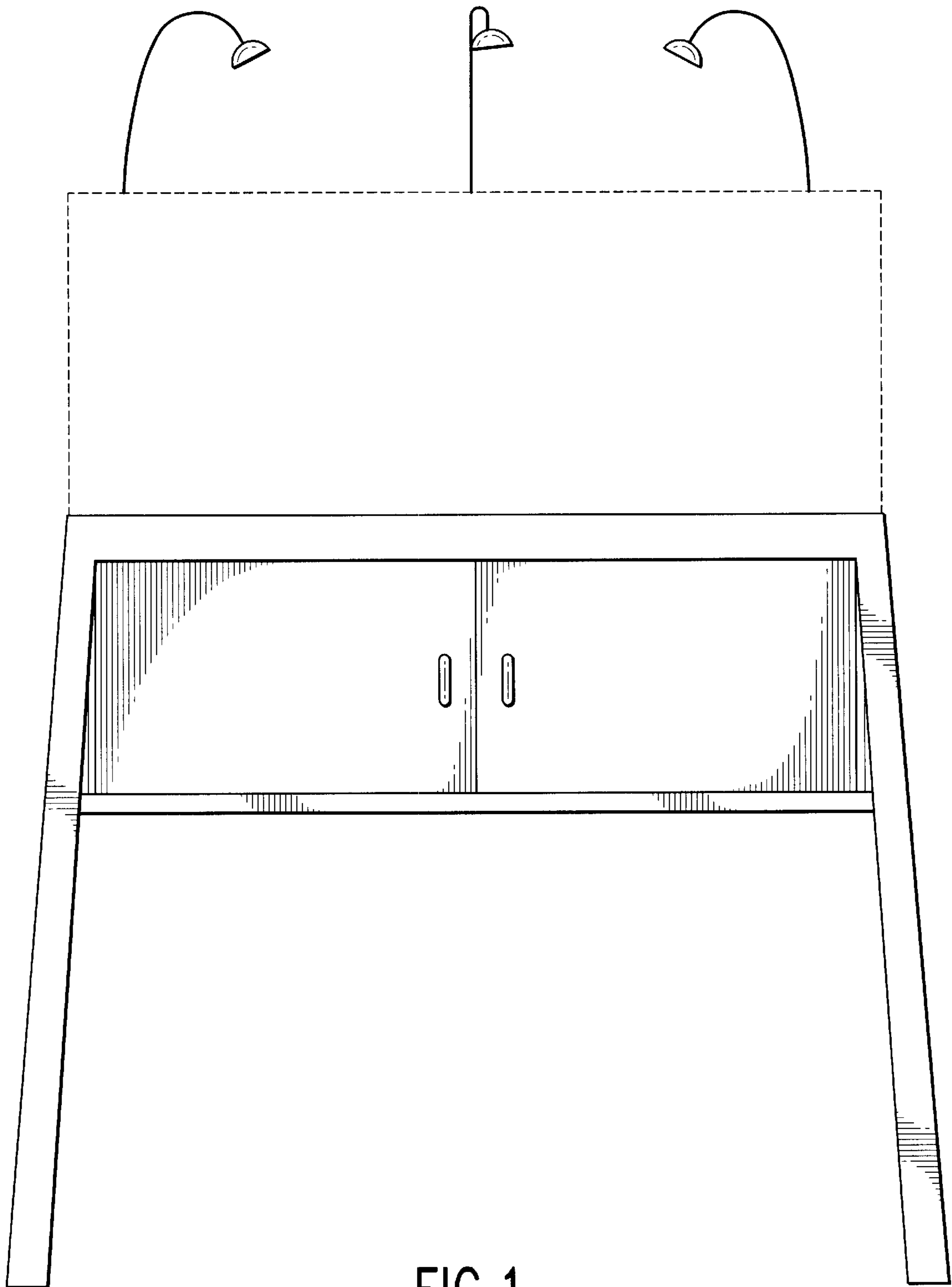


FIG. 1

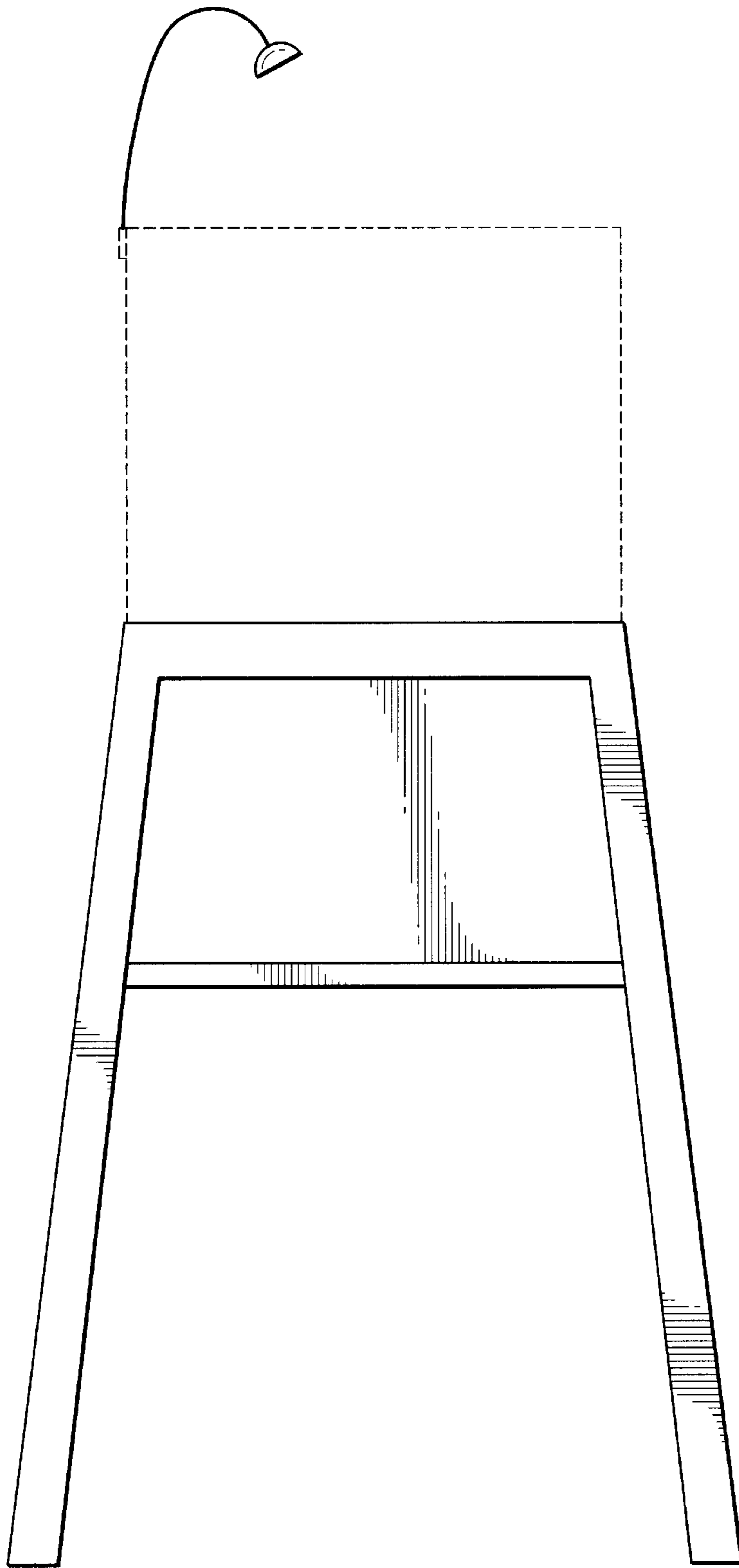


FIG. 2

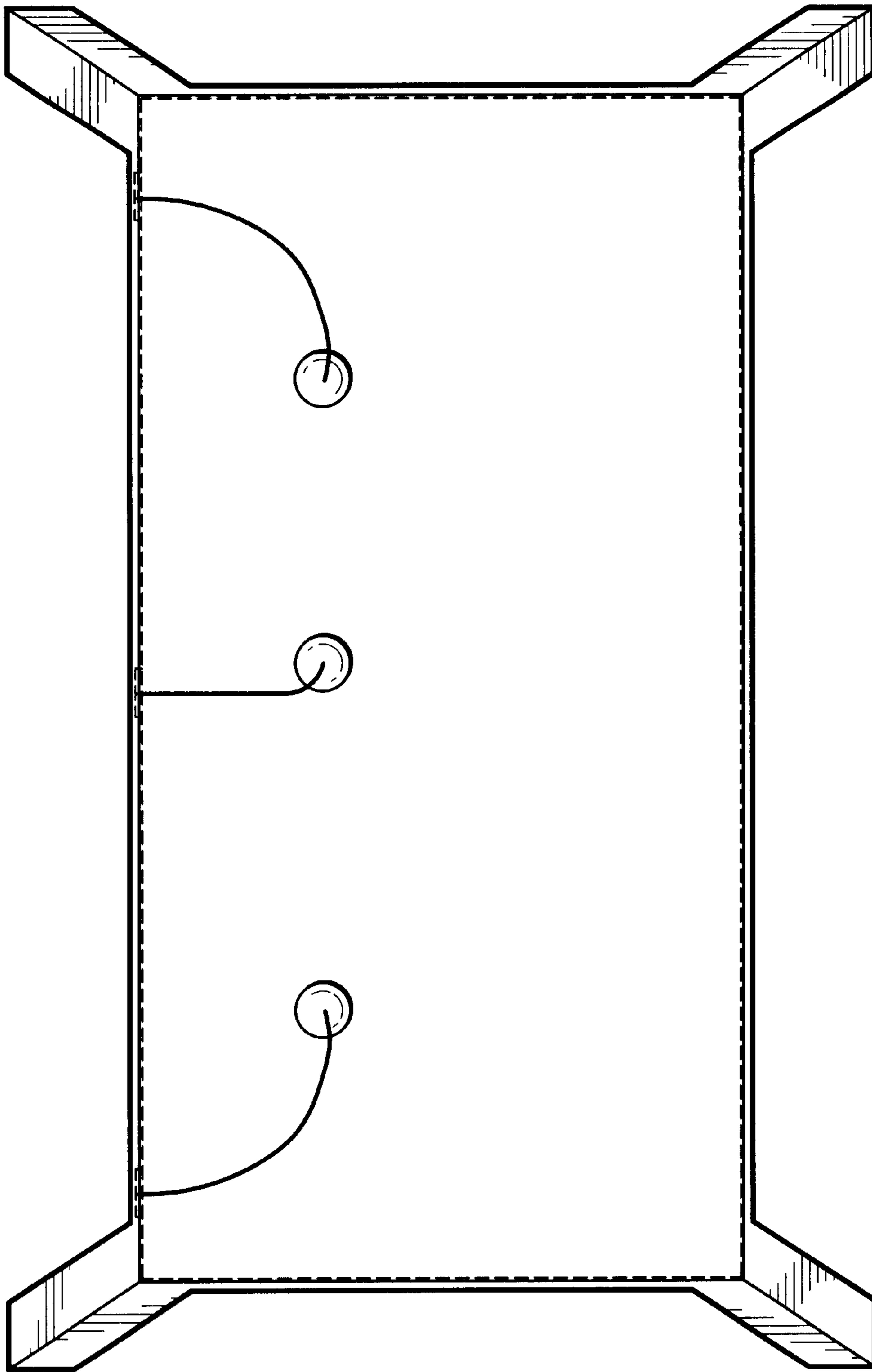


FIG. 3