



US00D484280S

(12) **United States Design Patent**
Dretzka

(10) **Patent No.:** **US D484,280 S**

(45) **Date of Patent:** **** Dec. 23, 2003**

(54) **LARGE CANISTER**

(75) Inventor: **Philip C. Dretzka**, Cleveland Heights, OH (US)

(73) Assignee: **InterDesign, Inc.**, Solon, OH (US)

(**) Term: **14 Years**

(21) Appl. No.: **29/165,394**

(22) Filed: **Aug. 9, 2002**

(51) **LOC (7) Cl.** **28-03**

(52) **U.S. Cl.** **D28/73; D7/615**

(58) **Field of Search** **D7/612-615, 538-542, D7/601, 602-3, 629; D6/513; D28/73; 220/780-788, 792-799, 805**

(56) **References Cited**

U.S. PATENT DOCUMENTS

D170,295 S	*	8/1953	Ziskin et al.	D7/615
D315,476 S	*	3/1991	Sun	D7/603
D337,187 S		7/1993	Hampshire		
D343,485 S		1/1994	Hampshire		
D431,754 S	*	10/2000	Thuma	D7/603
D457,389 S		5/2002	Snell		
D457,782 S		5/2002	Snell		
D463,715 S		10/2002	Dretzka		

* cited by examiner

Primary Examiner—Terry A. Wallace
(74) *Attorney, Agent, or Firm*—D. Peter Hochberg; Katherine R. Vieyra; Sean Mellino

(57) **CLAIM**

The ornamental design for a large canister, as shown and described.

DESCRIPTION

FIG. 1 is a perspective view of a canister embodying this invention;

FIG. 2 is a perspective view of the canister shown in FIG. 1, with the lid of the canister suspended above the base of the canister;

FIG. 3 is a top view of the canister shown in FIG. 1;

FIG. 4 is a side view of the canister shown in FIG. 1;

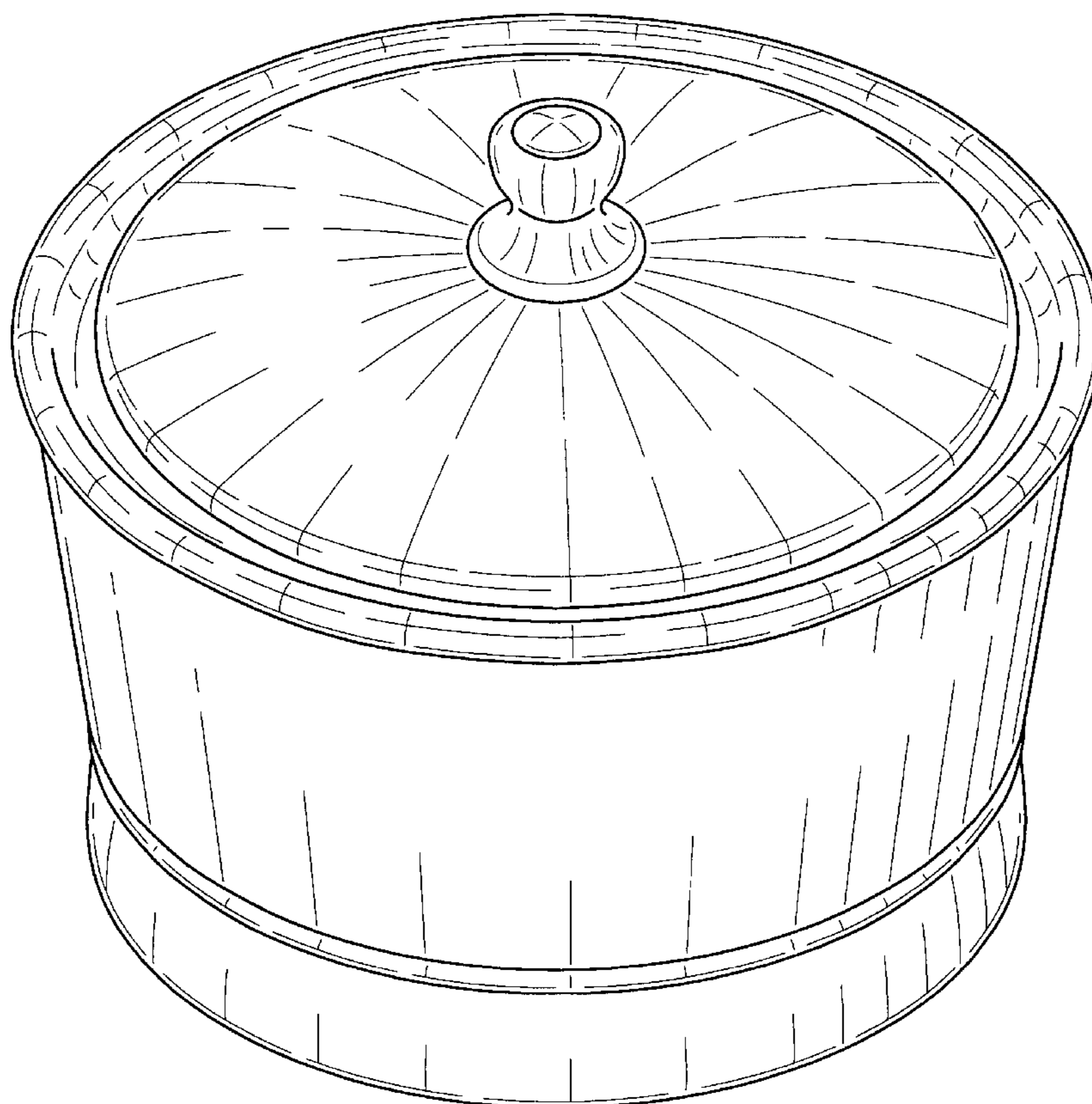
FIG. 5 is a side view of the canister shown in FIG. 1, with the lid of the canister suspended above the base of the canister;

FIG. 6 is a bottom view of the canister shown in FIG. 1;

FIG. 7 is a bottom view of the lid shown in FIGS. 1-6, along lines 7-7 in FIG. 5; and,

FIG. 8 is a top view of the base of the canister lid shown in FIGS. 1-7, along lines 8-8 in FIG. 5.

1 Claim, 5 Drawing Sheets



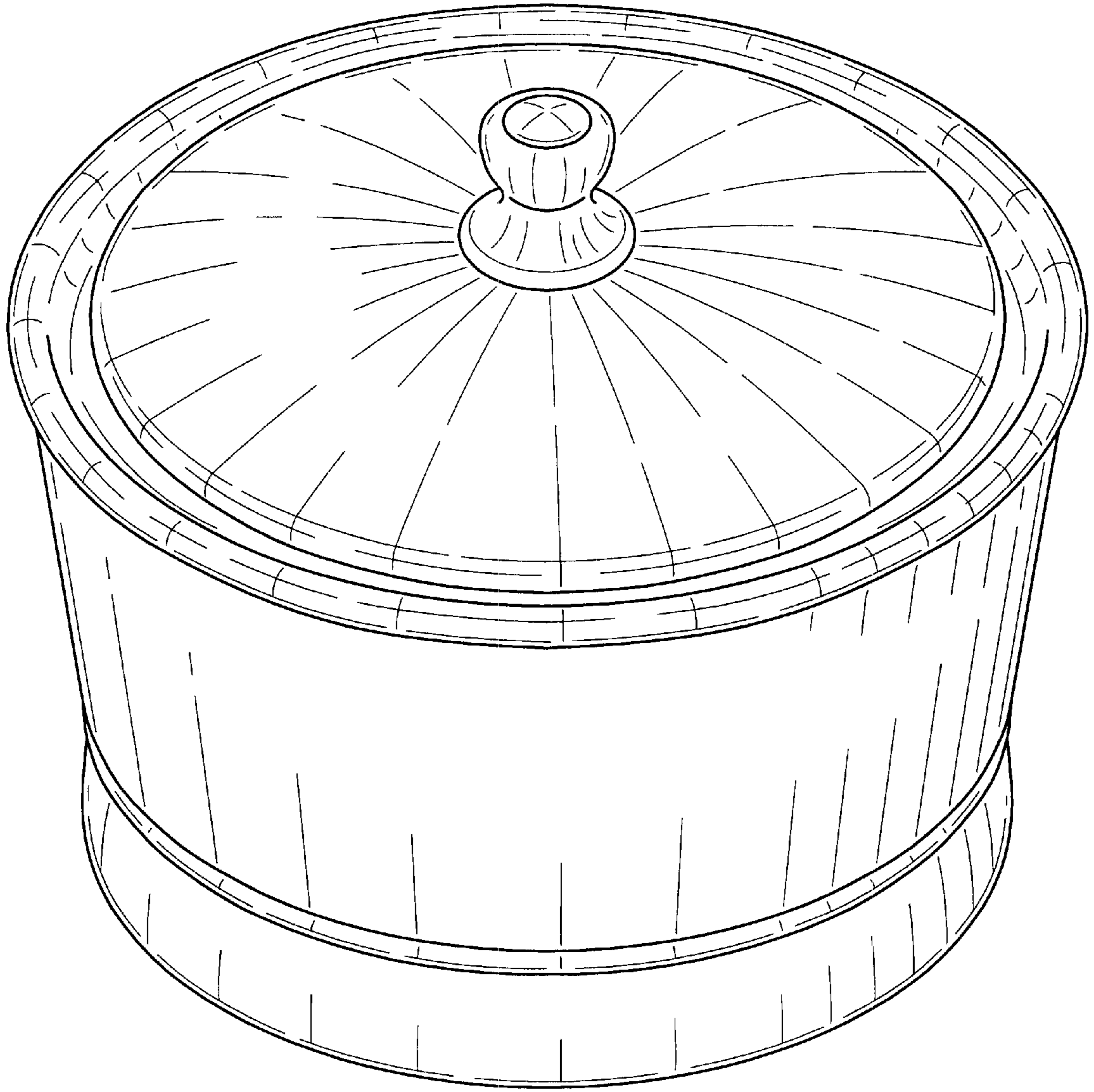


FIG-1

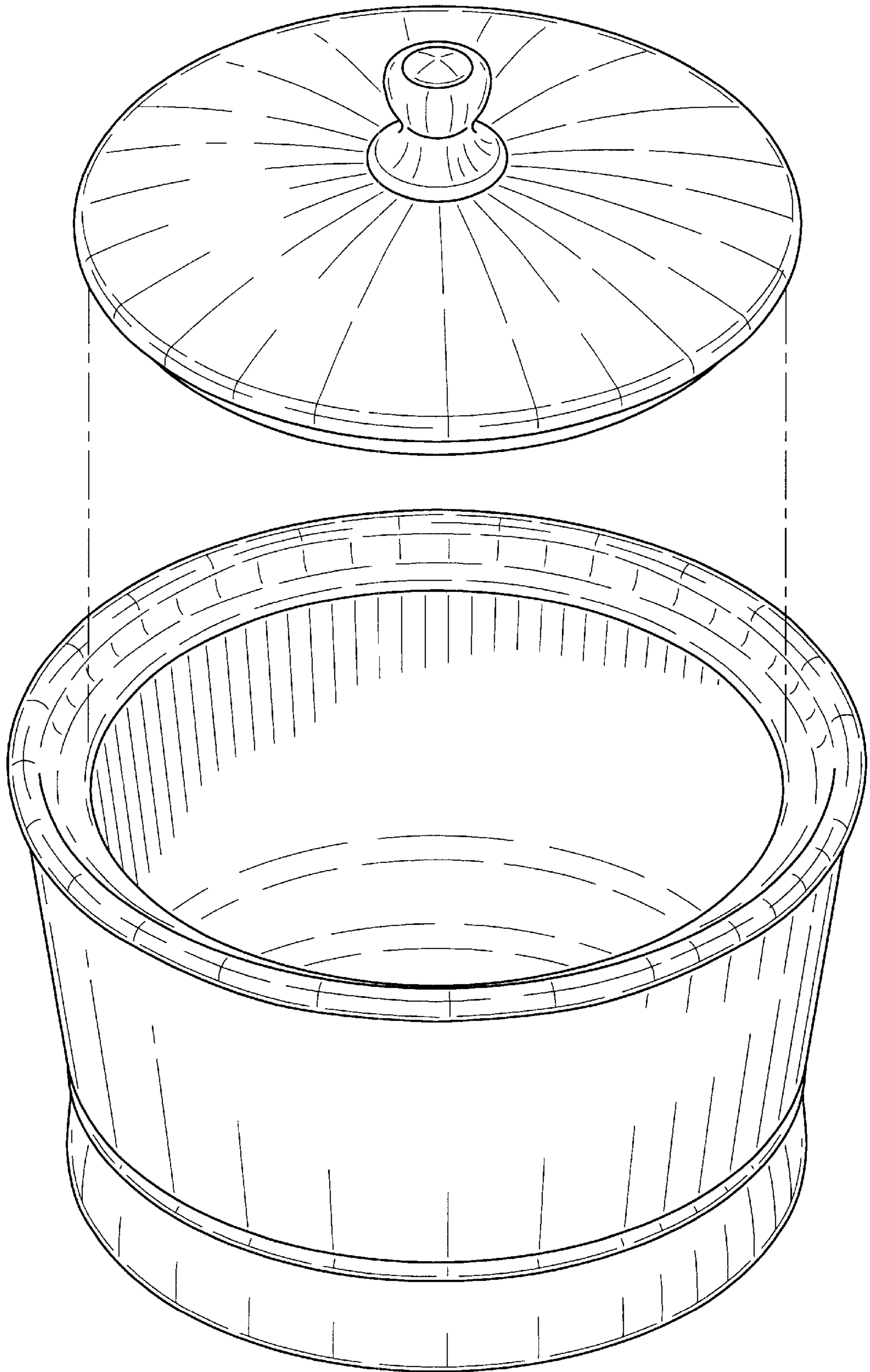


FIG-2

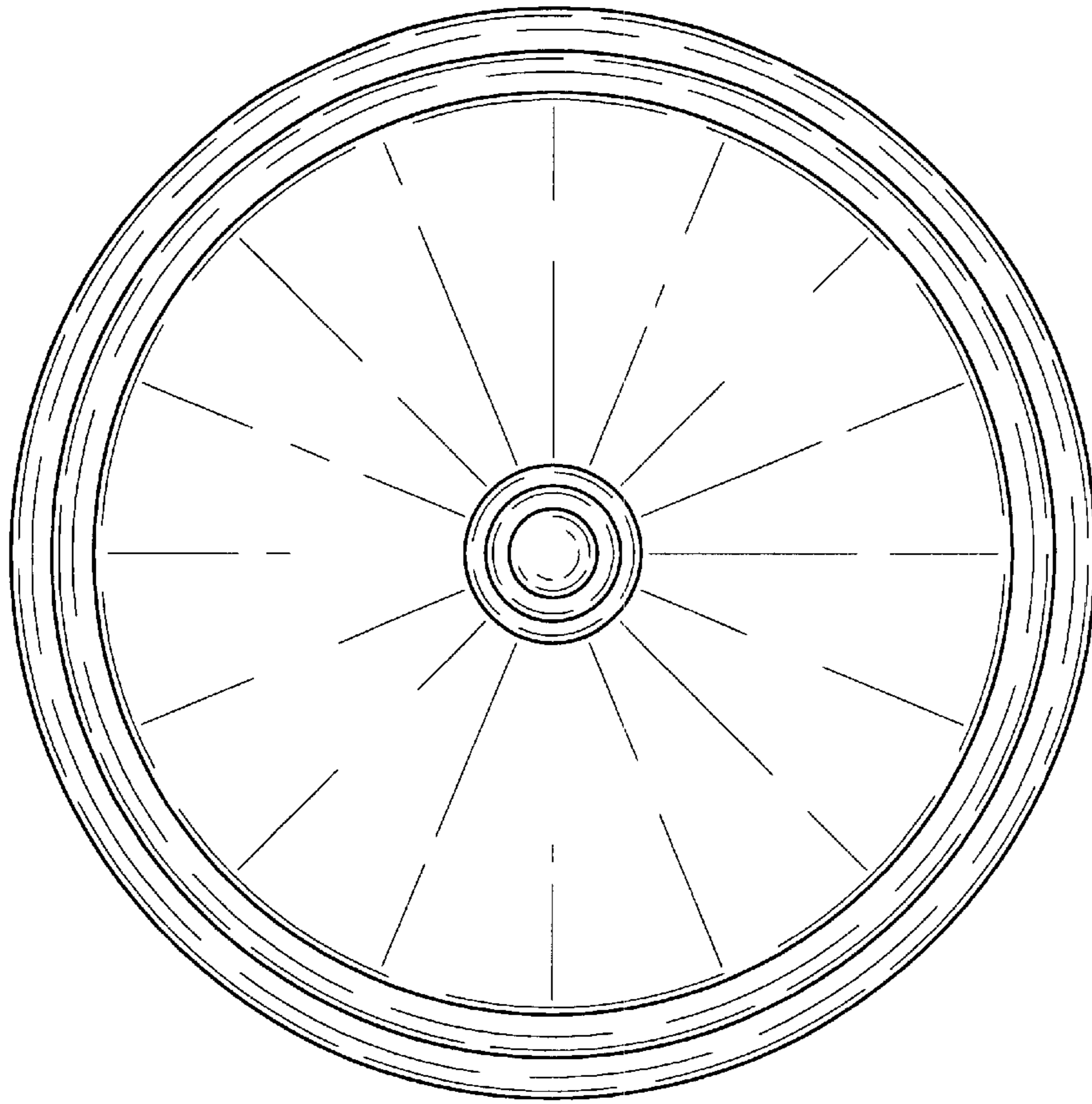


FIG-3

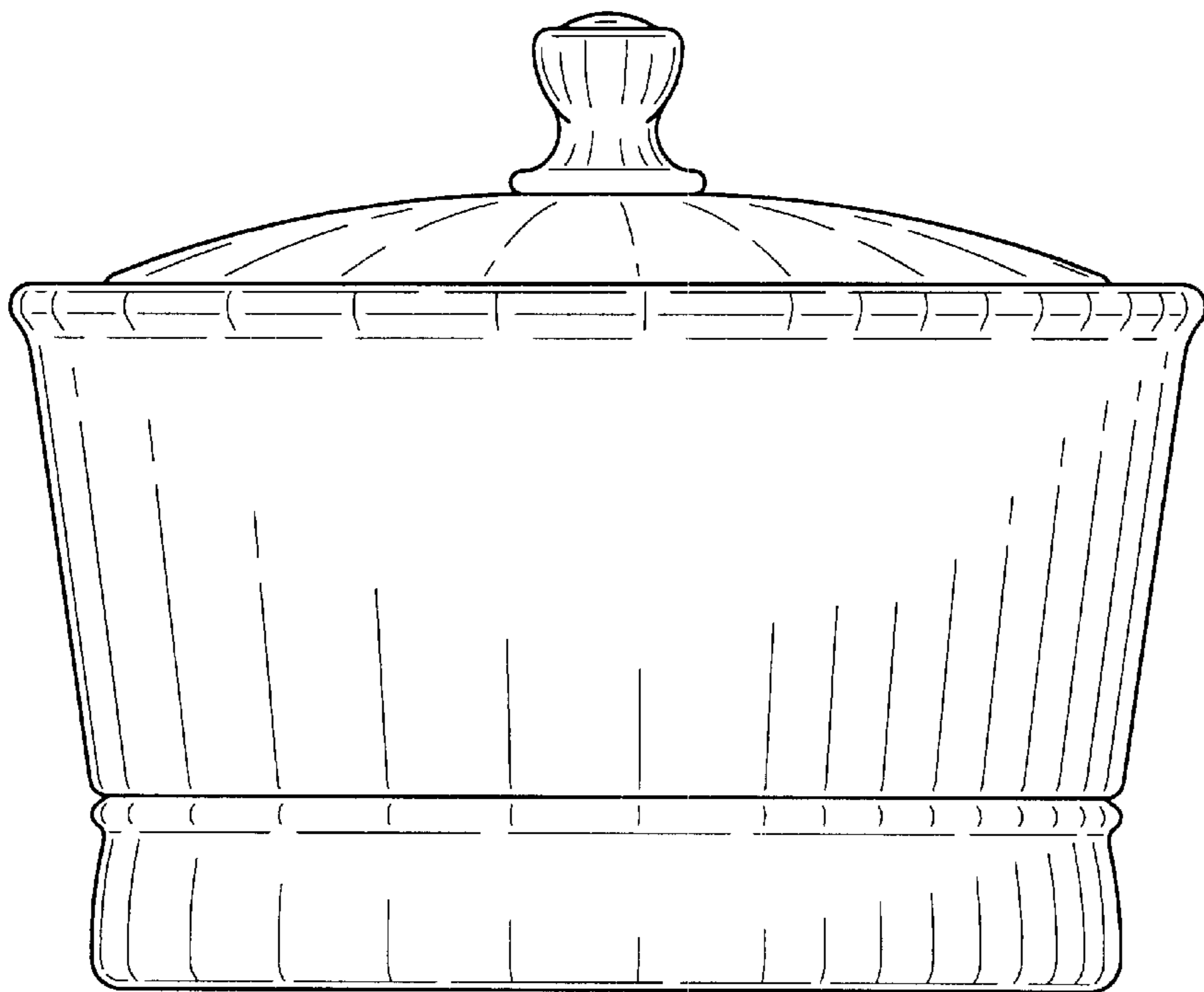


FIG-4

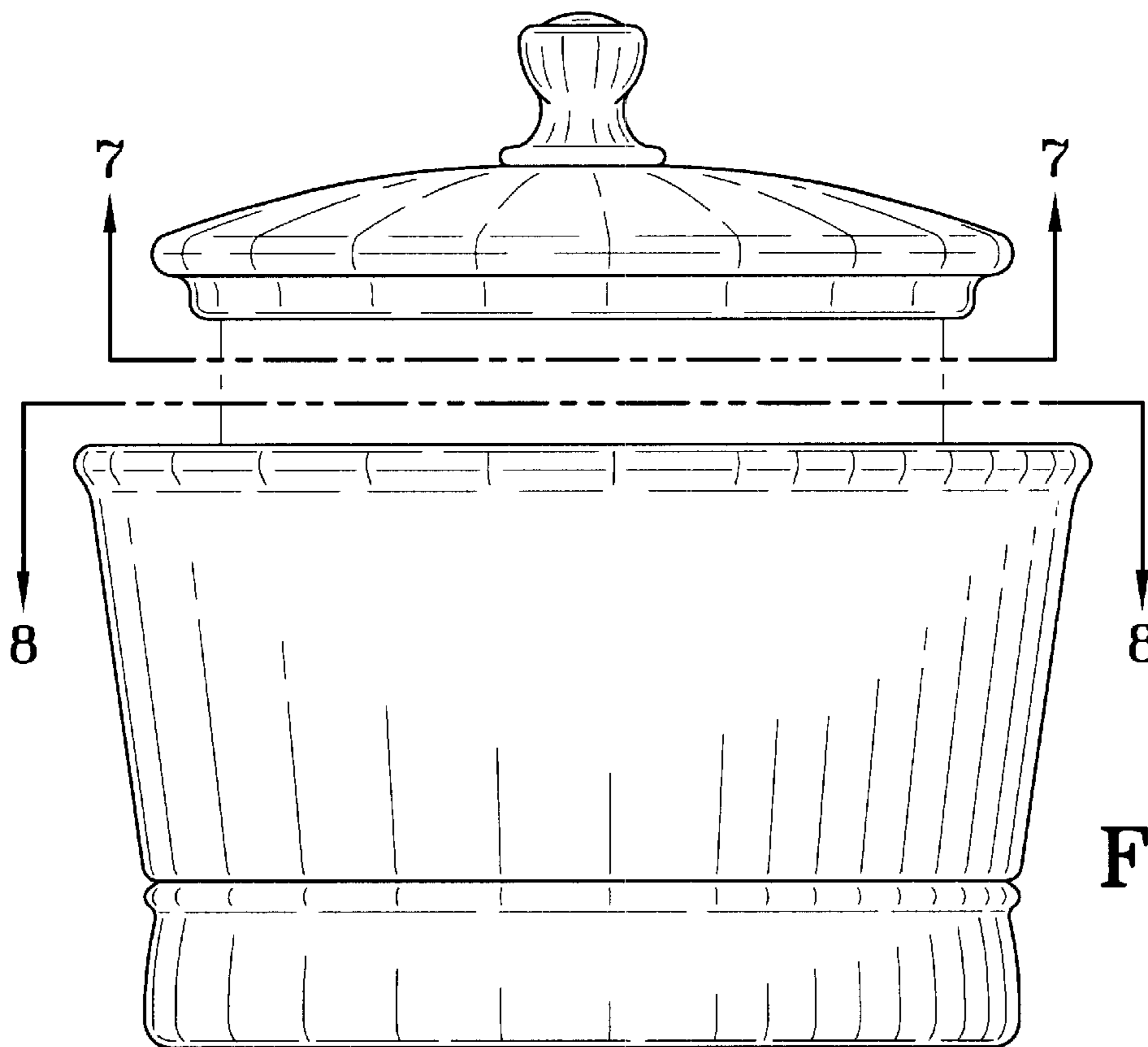


FIG-5

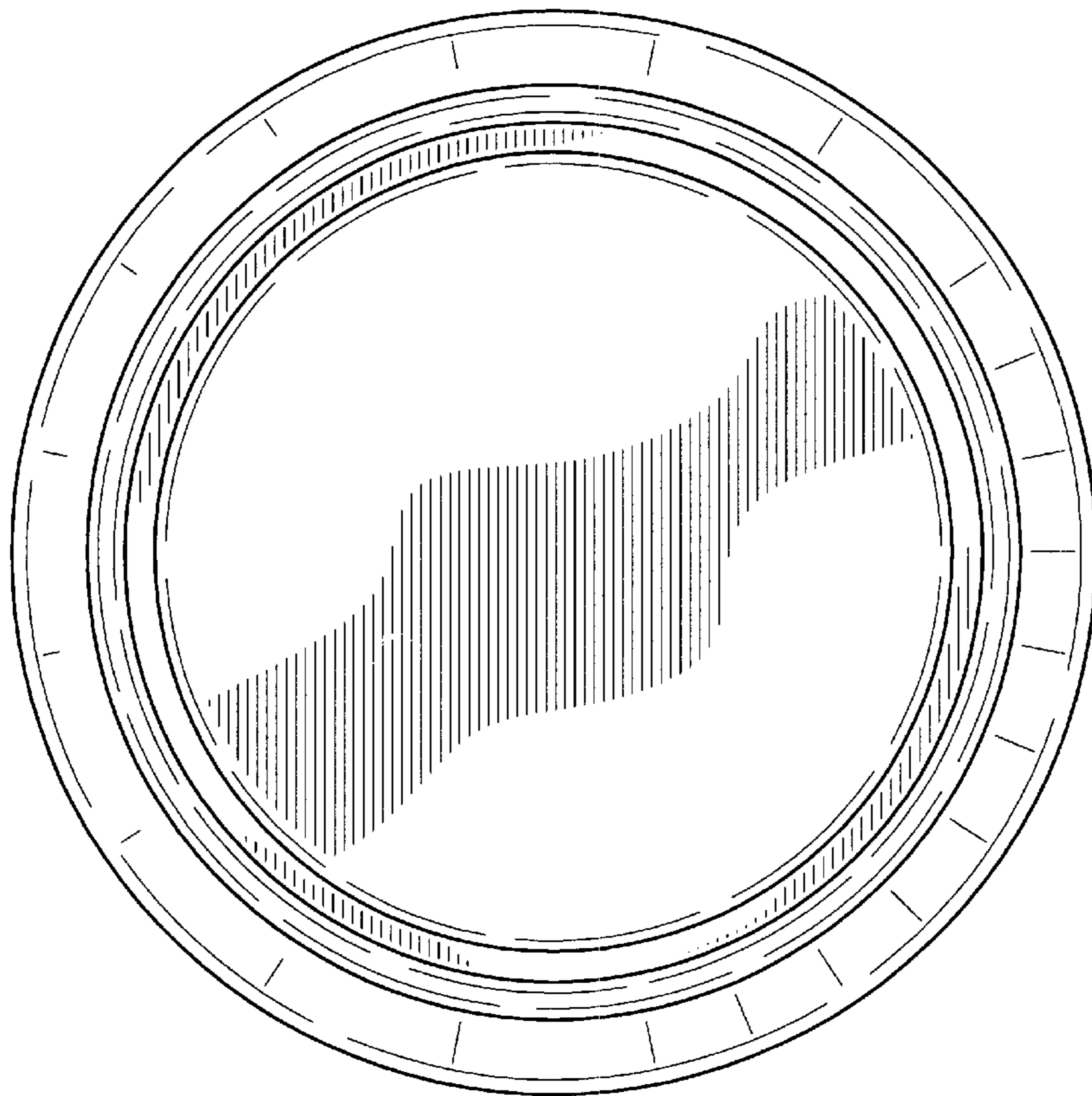


FIG-6

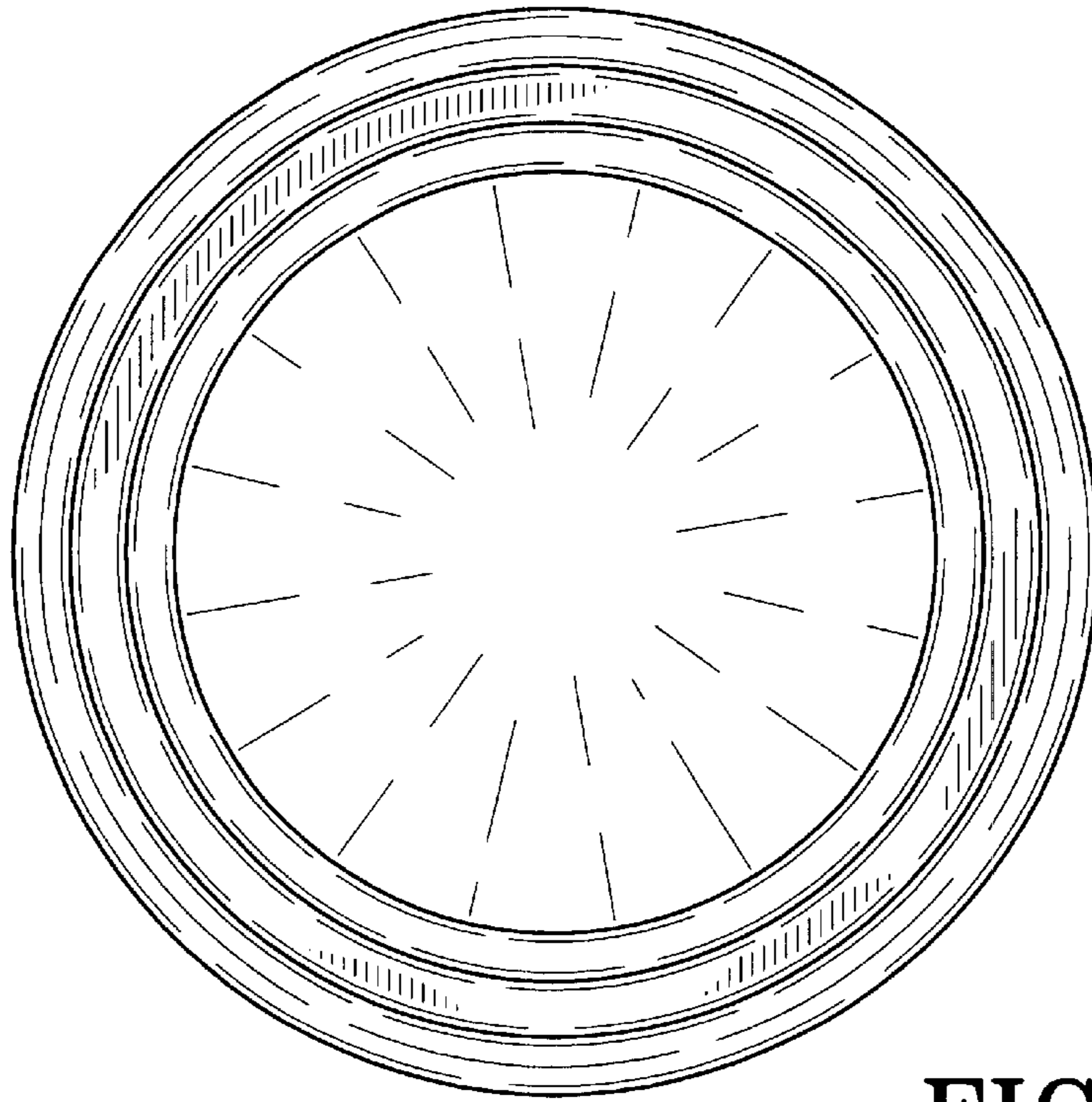


FIG-7

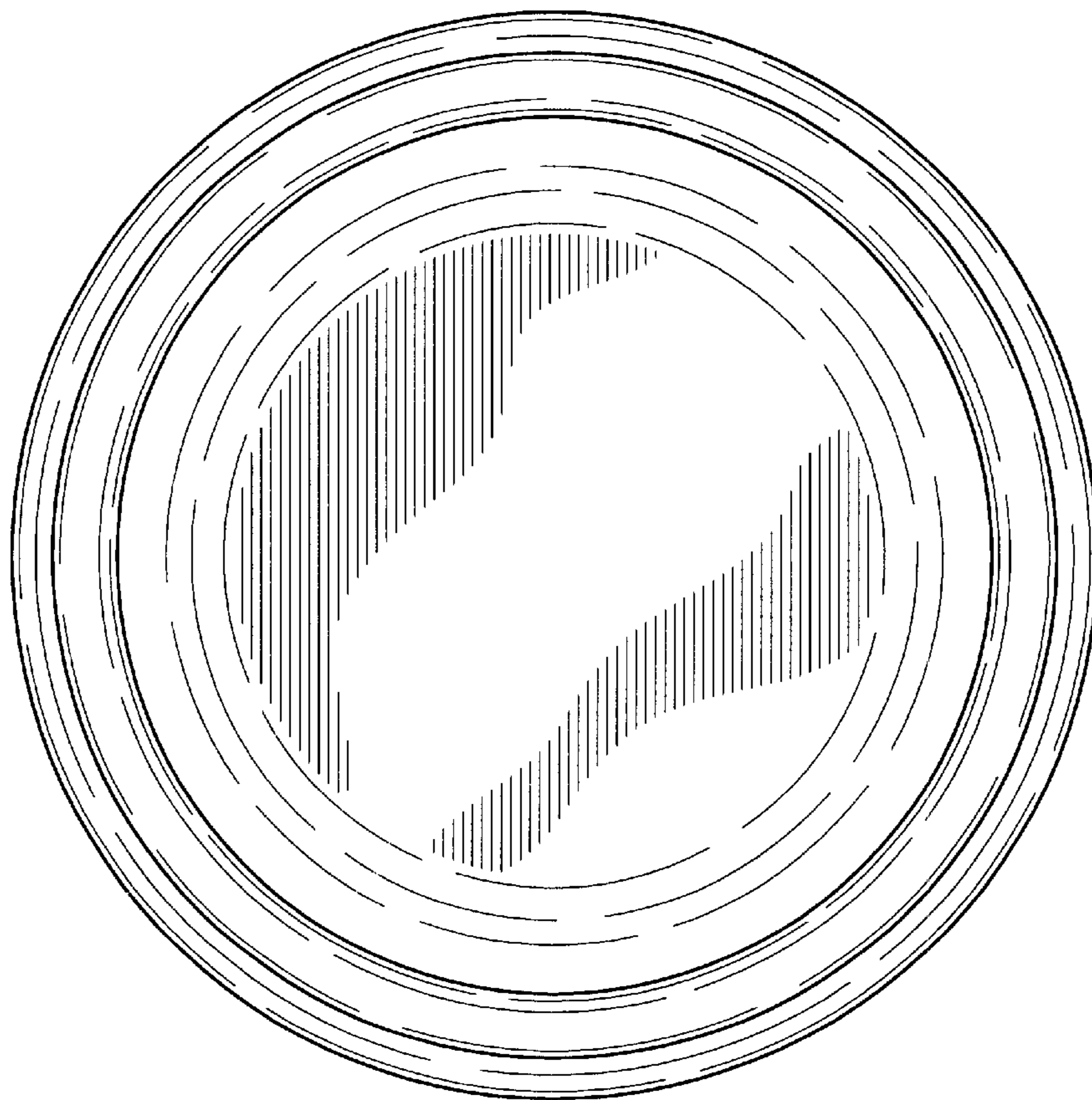


FIG-8