



US00D484275S

(12) **United States Design Patent**
Prochaska

(10) **Patent No.:** **US D484,275 S**

(45) **Date of Patent:** **** Dec. 23, 2003**

(54) **RAZOR CARTRIDGE END LOCK**

(75) Inventor: **Frank H. Prochaska**, Waynesboro, VA (US)

(73) Assignee: **American Safety Razor Company**, Verona, VA (US)

(**) Term: **14 Years**

(21) Appl. No.: **29/159,248**

(22) Filed: **Apr. 18, 2002**

(51) **LOC (7) Cl.** **28-03**

(52) **U.S. Cl.** **D28/47**

(58) **Field of Search** D28/45-48; 30/41, 30/32, 34.05, 40, 50, 51, 52, 57, 59, 85, 77, 80, 81, 82, 346.5, 346.55, 346.57, 346.58, 346.59

(56) **References Cited**

U.S. PATENT DOCUMENTS

3,724,070	A	*	4/1973	Dorion, Jr.	30/50
D243,638	S	*	3/1977	Poisson	D28/47
D255,161	S	*	5/1980	Chen	D28/47
D298,068	S	*	10/1988	Gilder	D28/47
6,295,733	B1	*	10/2001	Wexler et al.	30/41

* cited by examiner

Primary Examiner—Jennifer Rivard

(74) *Attorney, Agent, or Firm*—McDermott, Will & Emery

(57) **CLAIM**

The ornamental design for a razor cartridge end lock, as shown and described in the drawings.

DESCRIPTION

FIG. 1 is a front perspective view of a combined razor cartridge end lock Upper Portion and razor cartridge end lock Bottom Portion;

FIG. 2 is a front view of the combined razor cartridge end lock Upper Portion and razor cartridge end lock Bottom Portion;

FIG. 3 is a back view of the combined razor cartridge end lock Upper Portion and razor cartridge end lock Bottom Portion;

FIG. 4 is a right side view of the combined razor cartridge end lock Upper Portion and razor cartridge end lock Bottom Portion;

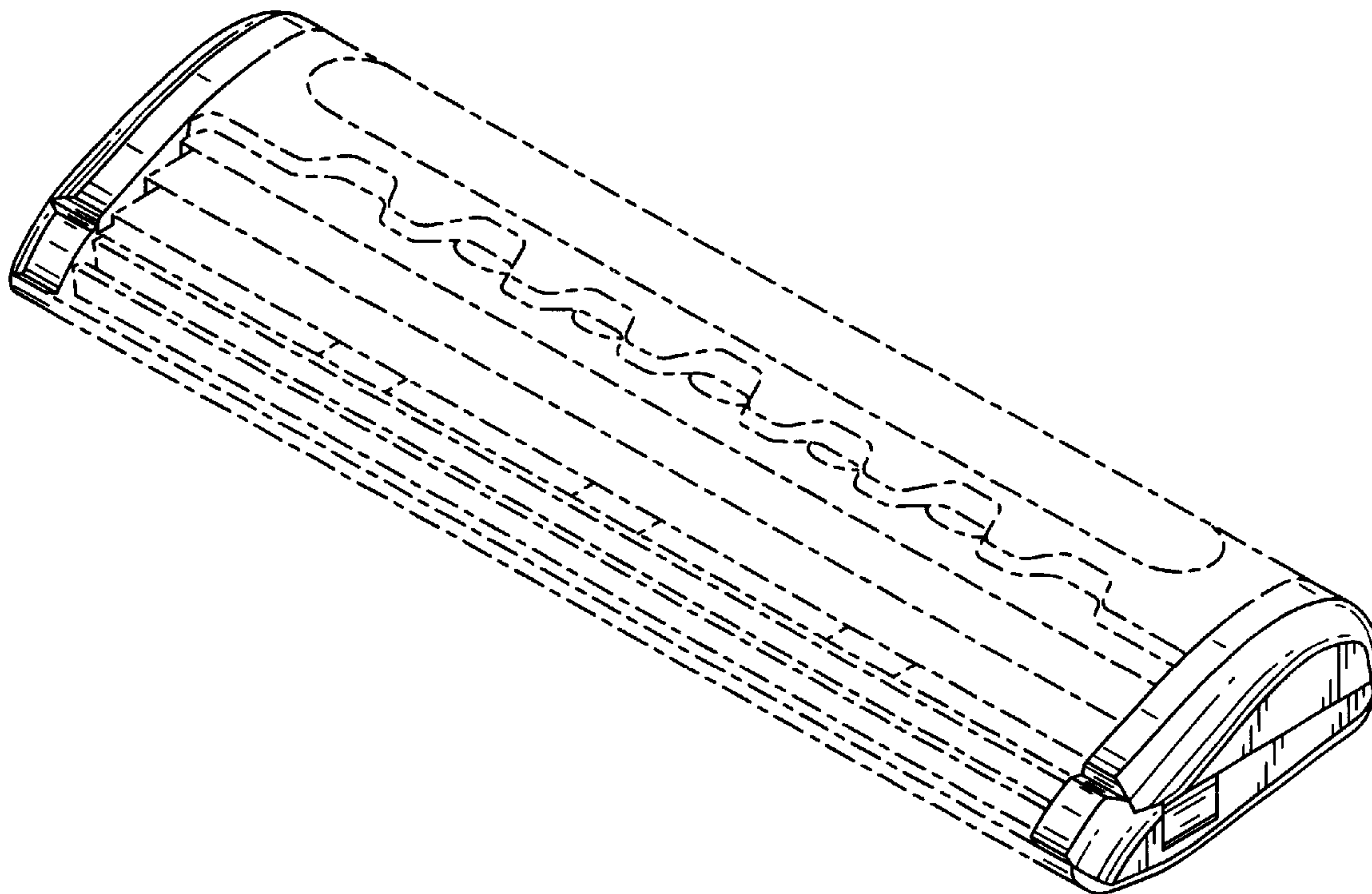
FIG. 5 is a left side view of the combined razor cartridge end lock Upper Portion and razor cartridge end lock Bottom Portion;

FIG. 6 is a top view of the combined razor cartridge end lock Upper Portion and razor cartridge end lock Bottom Portion; and,

FIG. 7 is a bottom view of the combined razor cartridge end lock Upper Portion and razor cartridge end lock Bottom Portion.

The broken lines immediately adjacent the shaded areas represent the bounds of the claim; all other broken lines are for illustrative purposes only. None of the broken lines form a part of the claimed design.

1 Claim, 4 Drawing Sheets



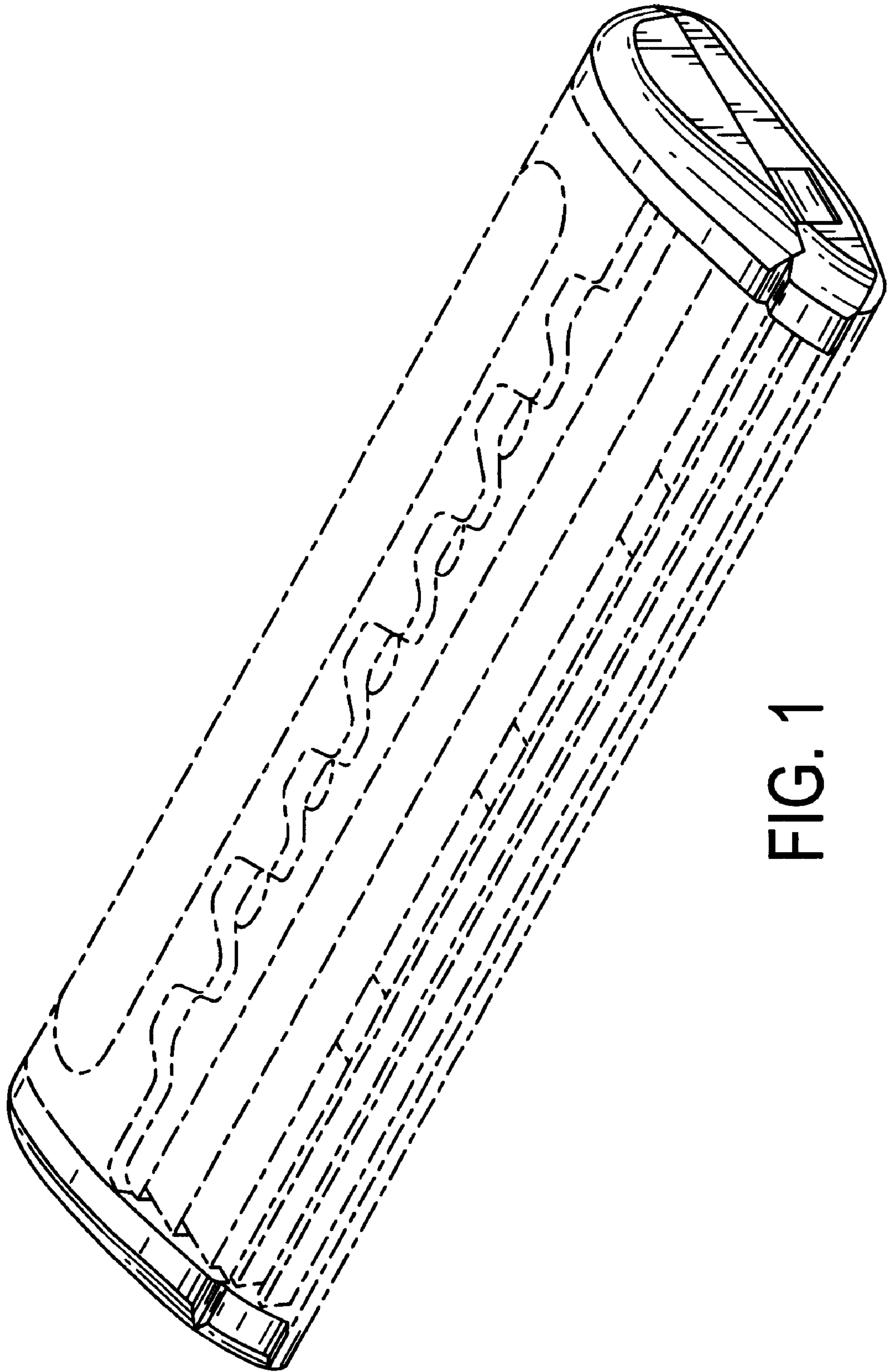


FIG. 1

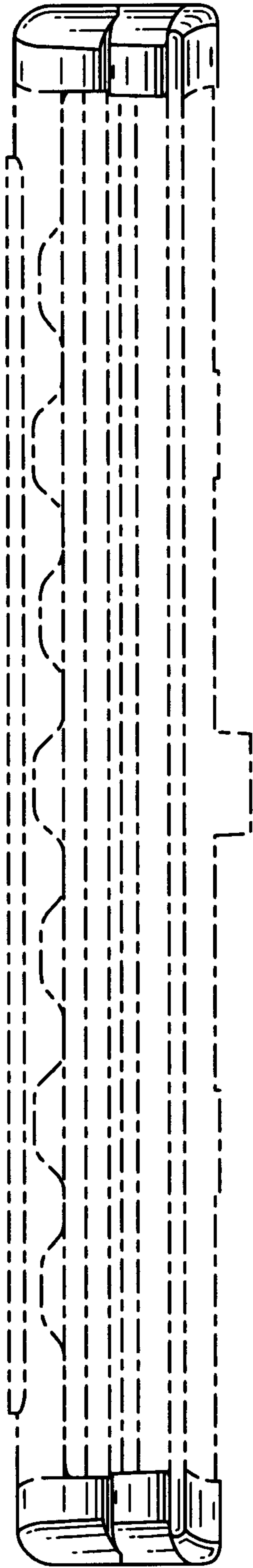


FIG. 2

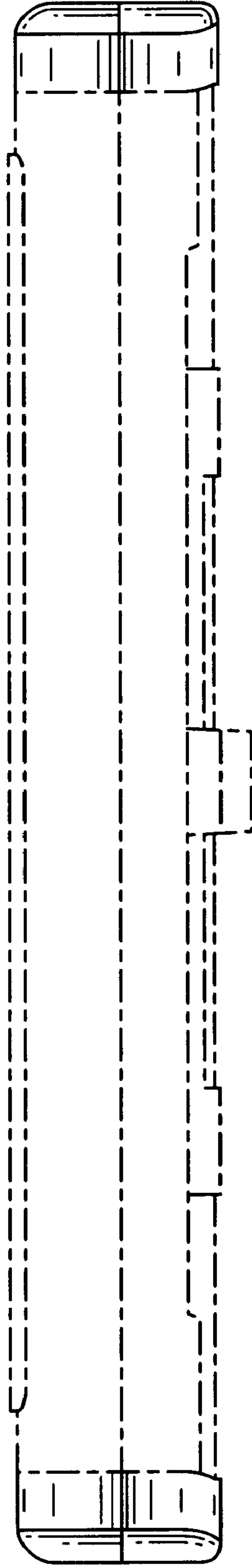


FIG. 3

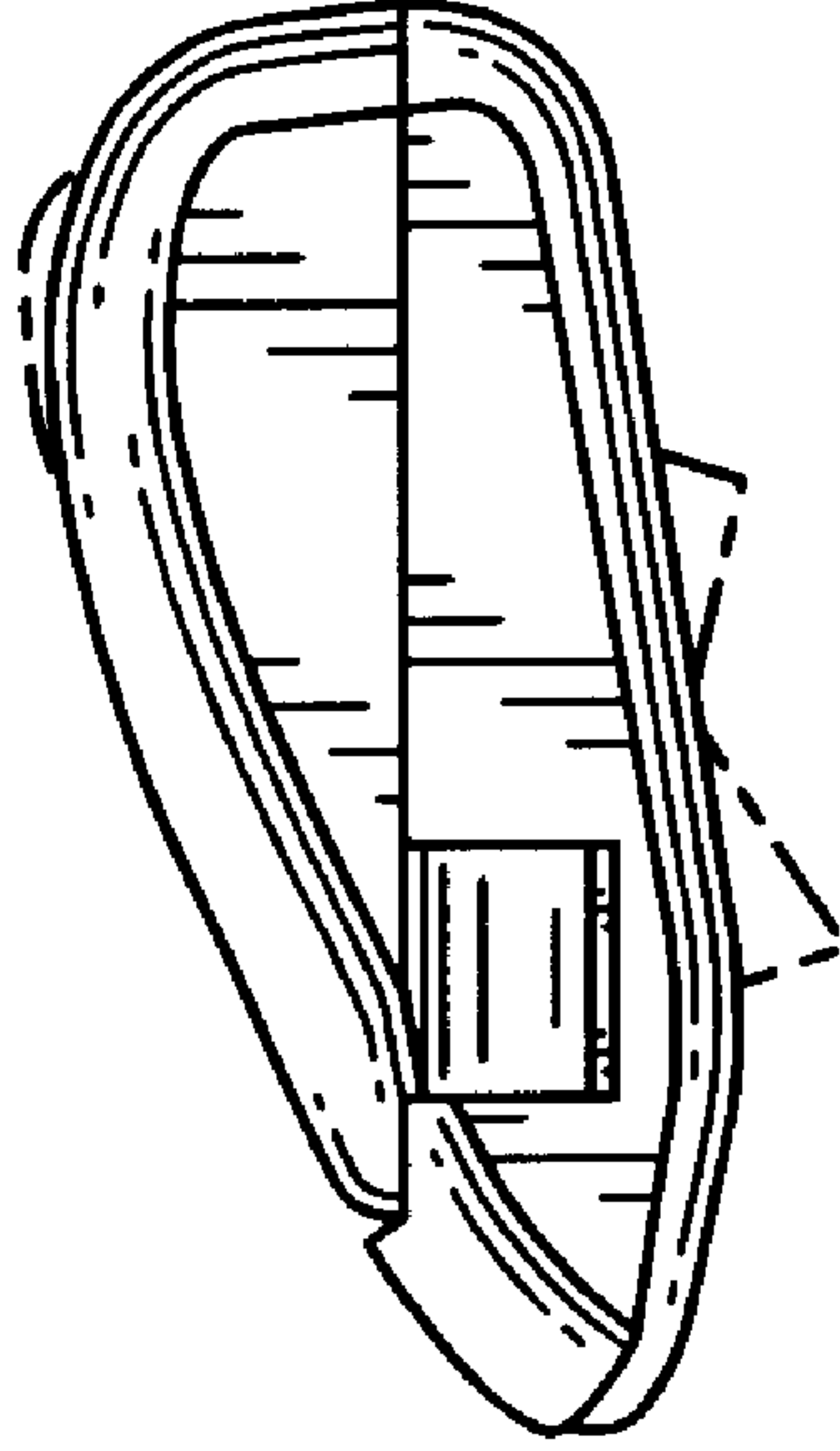


FIG. 5

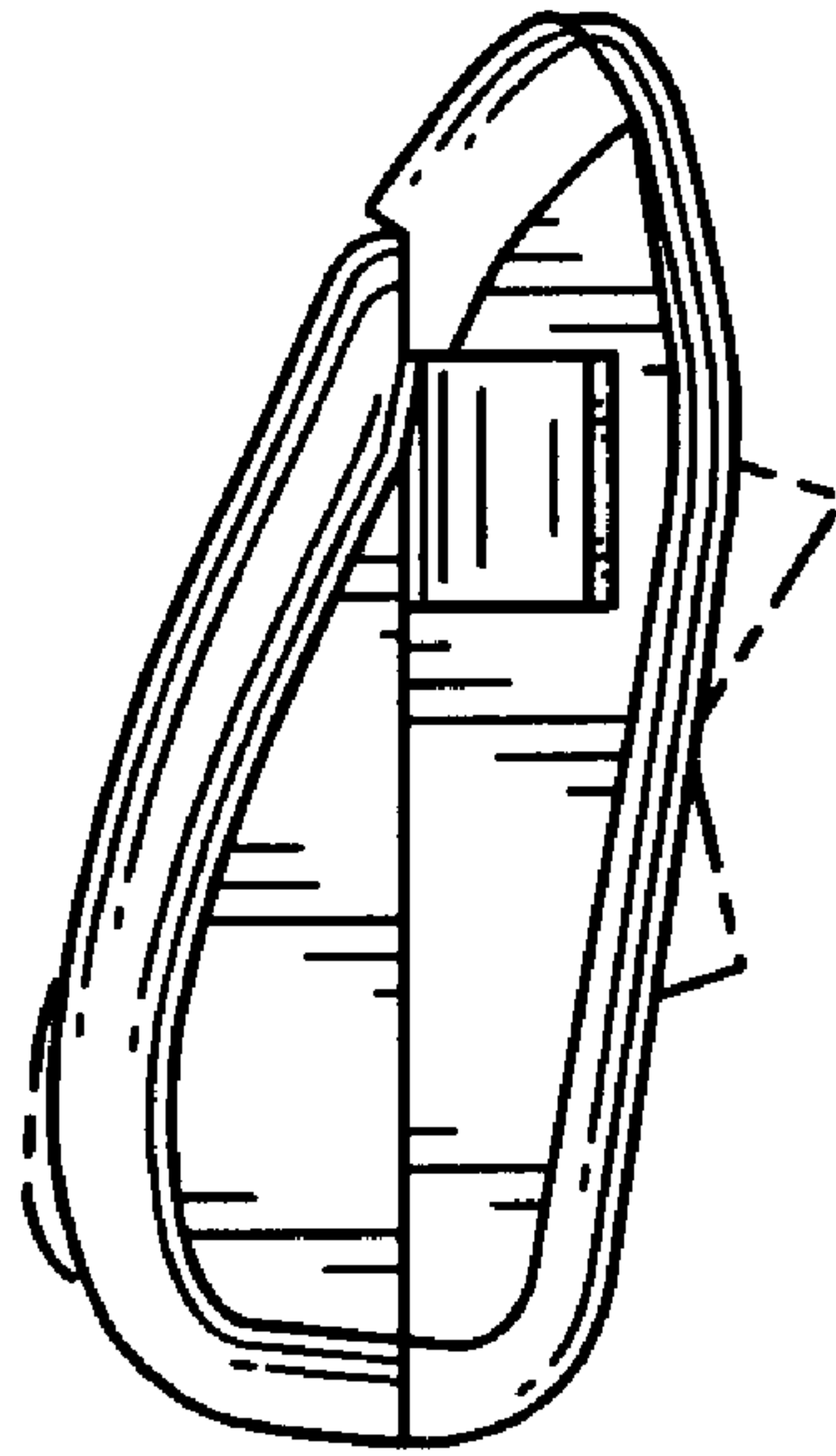


FIG. 4

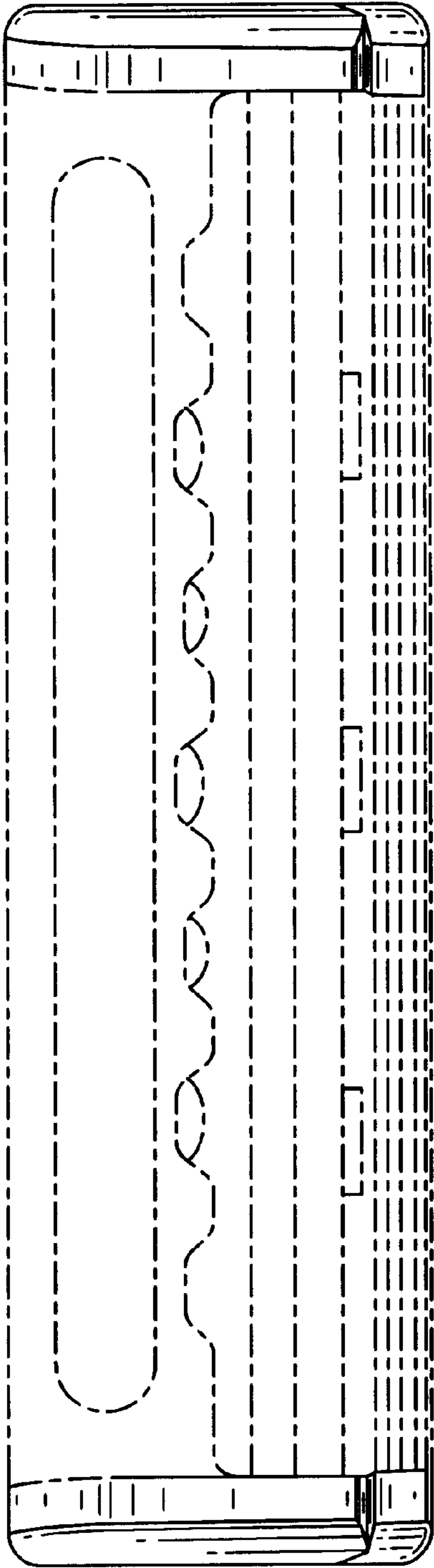


FIG. 6

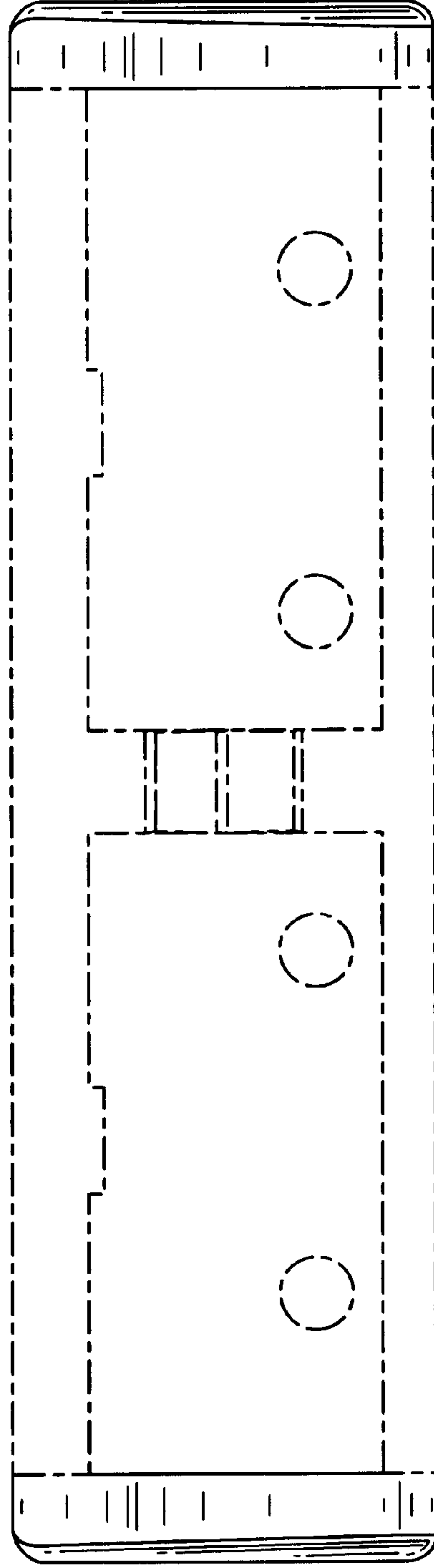


FIG. 7