



US00D484272S

(12) **United States Design Patent**
Lay et al.

(10) **Patent No.:** **US D484,272 S**

(45) **Date of Patent:** **** Dec. 23, 2003**

(54) **LAMPHEAD FOR LUMINAIRES**

(75) Inventors: **James Michael Lay**, Cumming, GA (US); **Paul Kenneth Pickard**, Conyers, GA (US)

(73) Assignee: **Acuity Brands, Inc.**, Atlanta, GA (US)

(**) Term: **14 Years**

(21) Appl. No.: **29/173,107**

(22) Filed: **Dec. 24, 2002**

(51) **LOC (7) Cl.** **26-05**

(52) **U.S. Cl.** **D26/113; D26/72**

(58) **Field of Search** D26/80, 113, 142, D26/72, 29, 63; D10/114; 362/147, 431, 432, 362, 275, 84, 85, 311, 404-408, 410, 414, 418, 419, 427, 310

(56) **References Cited**

U.S. PATENT DOCUMENTS

D264,254 S	*	5/1982	Heritage	D26/74
4,499,528 A	*	2/1985	Hawlitzki	362/275
D320,863 S	*	10/1991	Macaluso	D26/29
D400,995 S	*	11/1998	LaRosa et al.	D26/63
D473,672 S	*	4/2003	Lay et al.	D26/80

* cited by examiner

Primary Examiner—Clare E Heflin

(74) *Attorney, Agent, or Firm*—Kenneth E. Darnell

(57) **CLAIM**

The ornamental design of a lamphead for luminaires, as shown and described.

DESCRIPTION

FIG. 1 is a perspective view illustrating a first embodiment of the invention in a use environment with a portion of a luminaire to which the lamphead is fitted being shown in phantom;

FIG. 2 is a front elevational view of the lamphead of the invention;

FIG. 3 is a side elevational view of the lamphead of the invention with portions thereof which are not part of the invention being shown in broken lines;

FIG. 4 is a side elevational view of the lamphead of the invention shown rotated 90° from the view of FIG. 3;

FIG. 5 is a side elevational view shown rotated 180° from the view of FIG. 4;

FIG. 6 is a back view of the lamphead;

FIG. 7 is a perspective view of a second embodiment of the invention in a use environment with a portion of a luminaire to which the lamphead is fitted being shown in phantom;

FIG. 8 is a front elevational view of the lamphead of the invention;

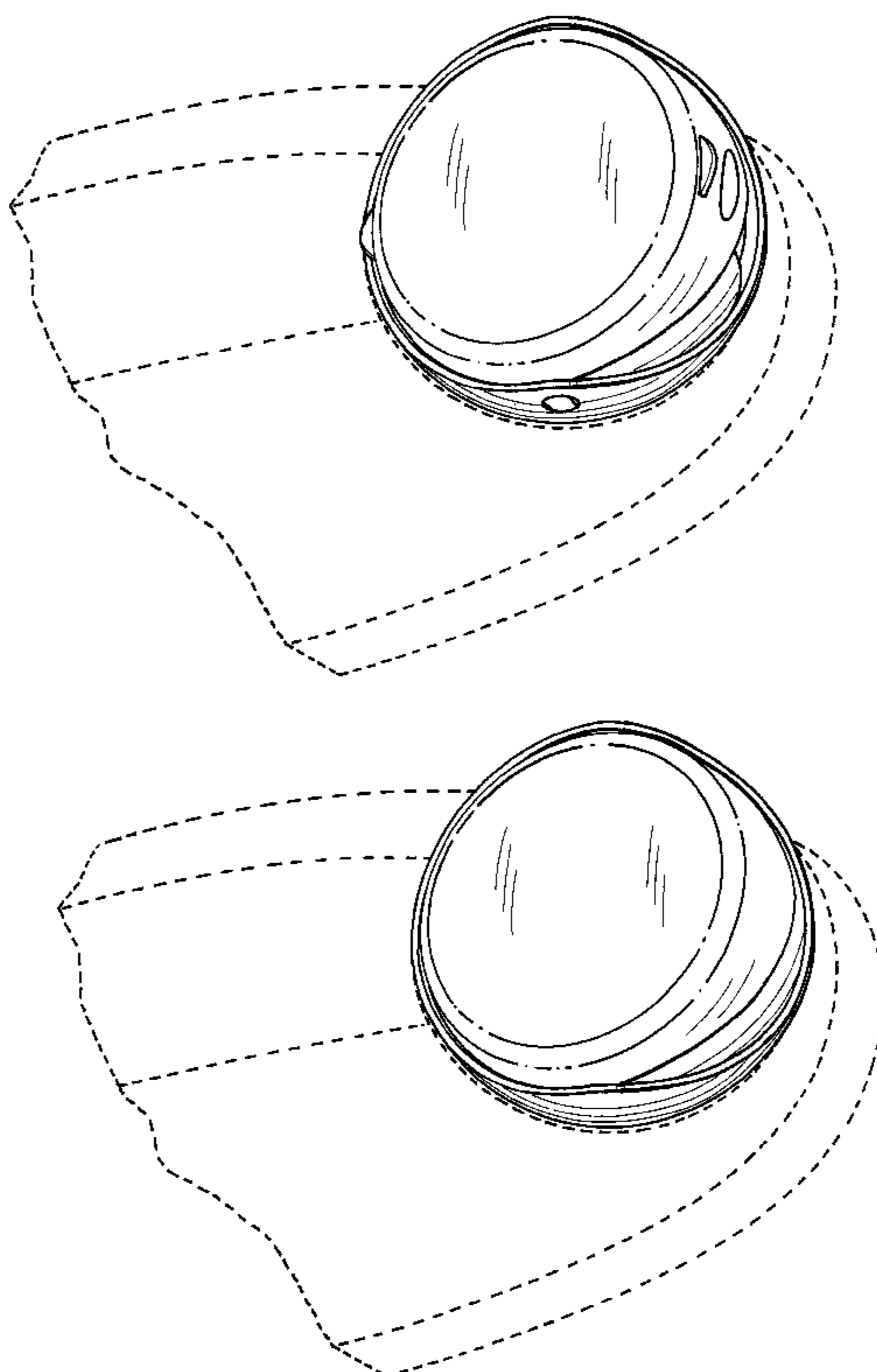
FIG. 9 is a side elevational view of the lamphead of the invention with portions thereof which are not part of the invention being shown in broken lines;

FIG. 10 is a side elevational view of the lamphead of the invention shown rotated 90° from the view of FIG. 9;

FIG. 11 is a side elevational view shown rotated 180° from the view of FIG. 10; and,

FIG. 12 is a back view of the lamphead.

1 Claim, 6 Drawing Sheets



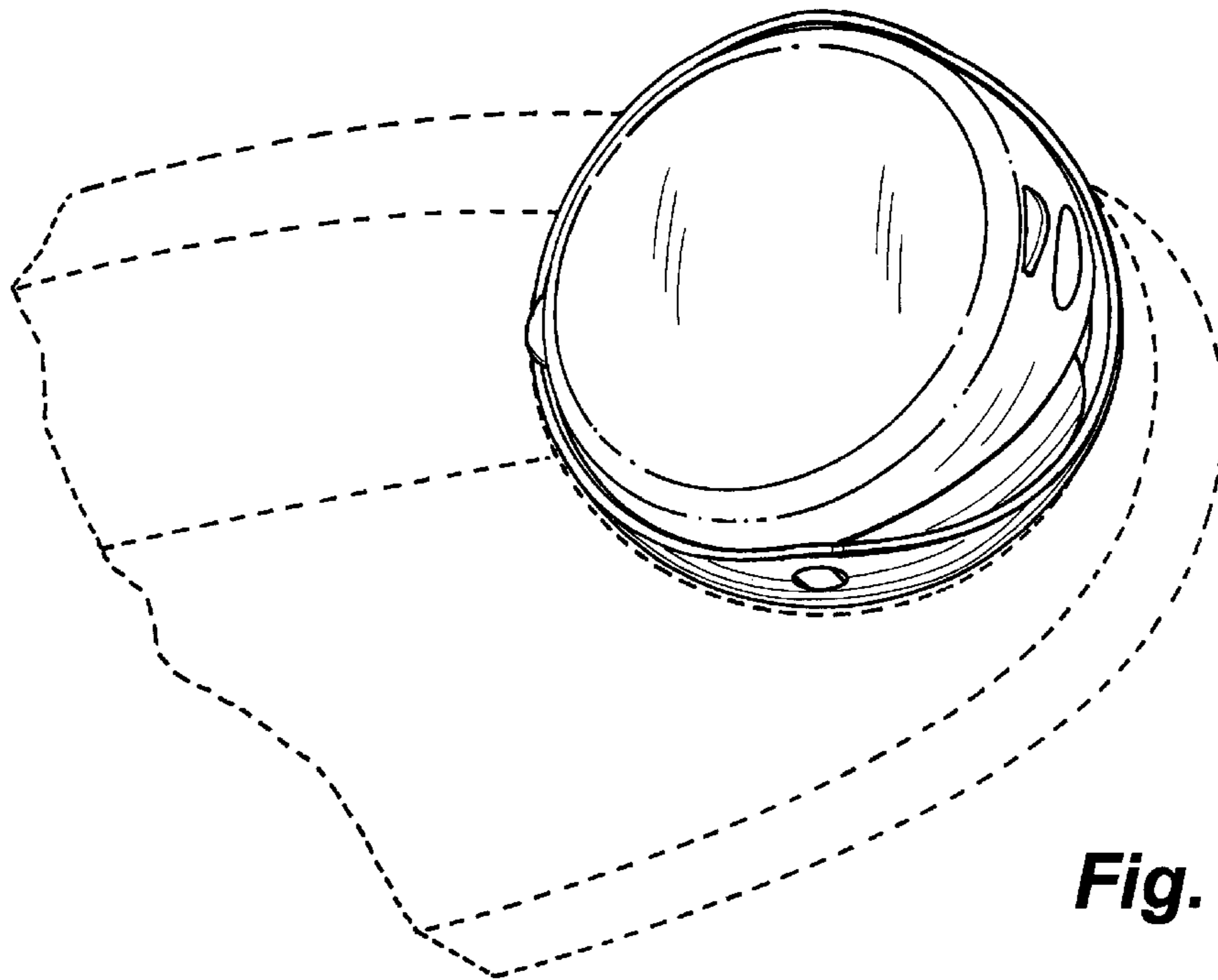


Fig. 1

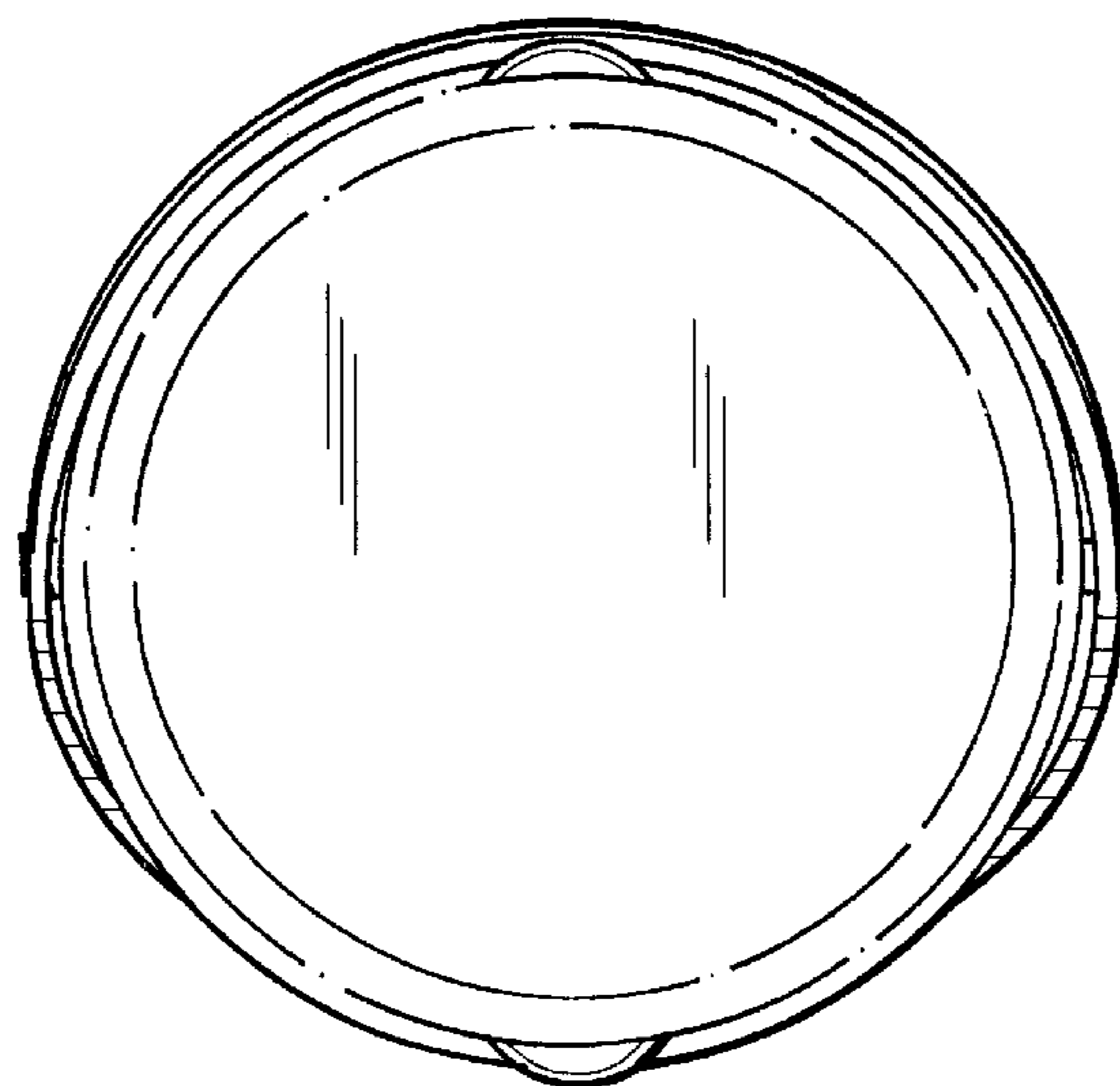


Fig. 2

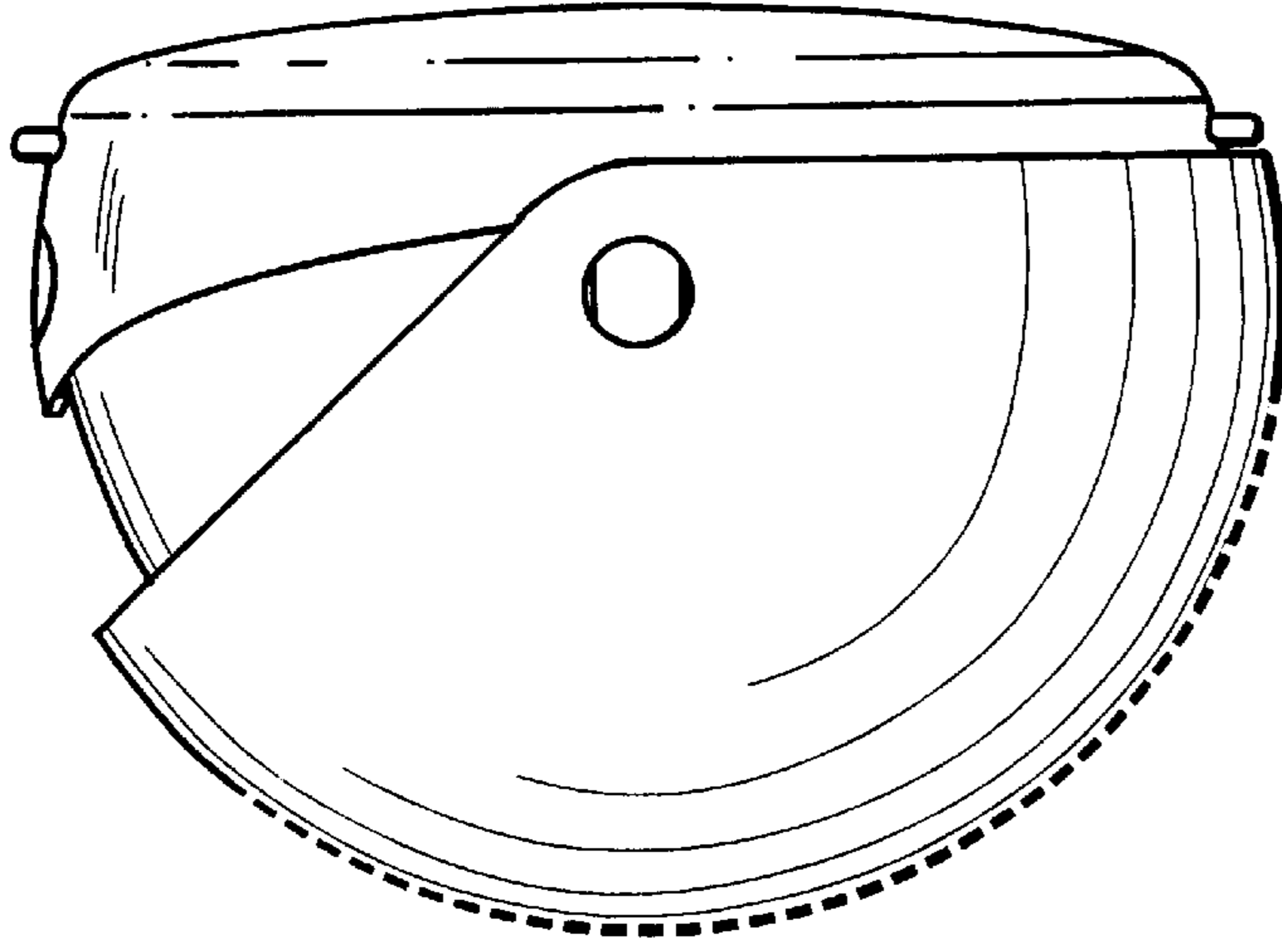


Fig. 3

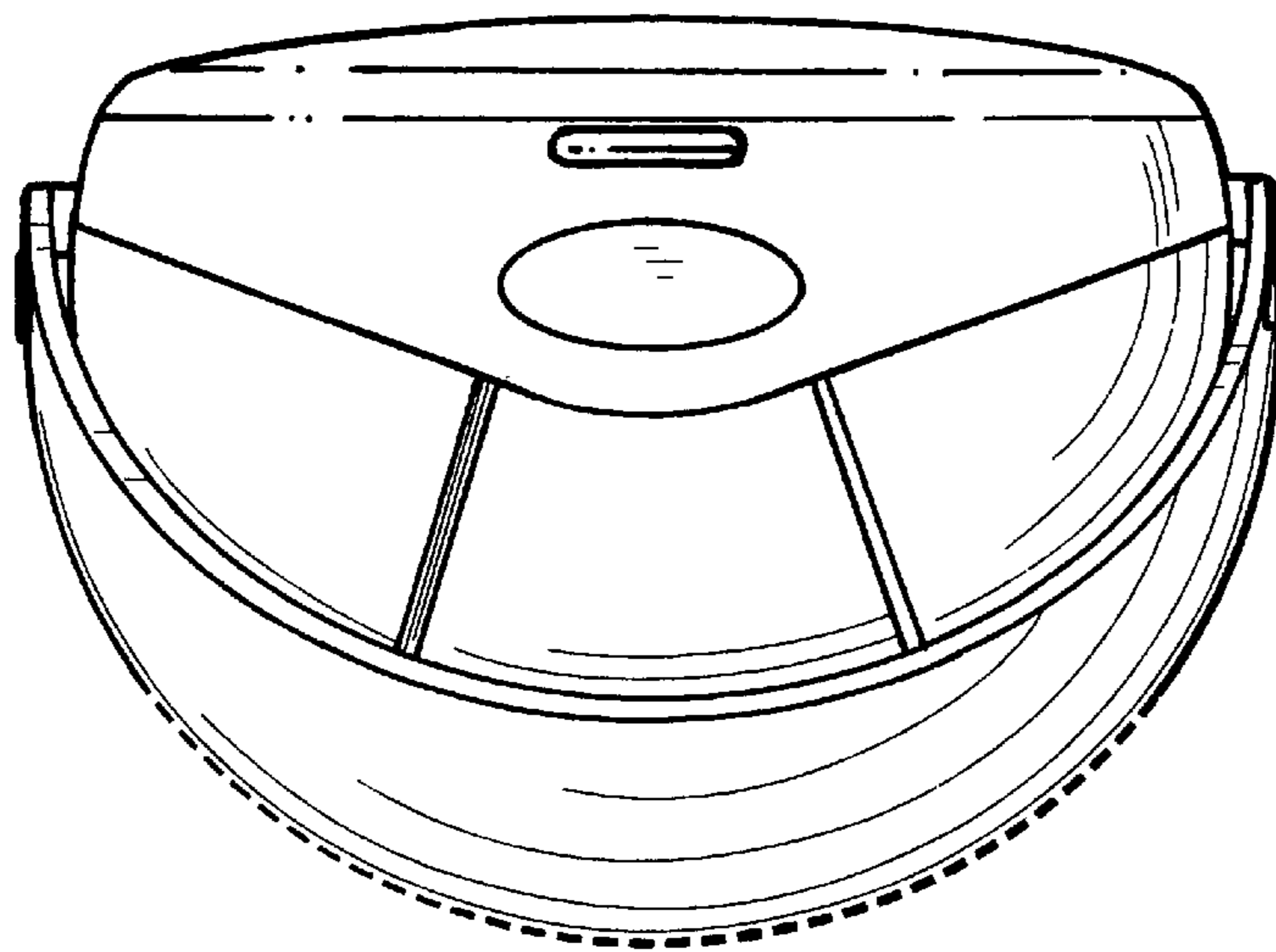


Fig. 4

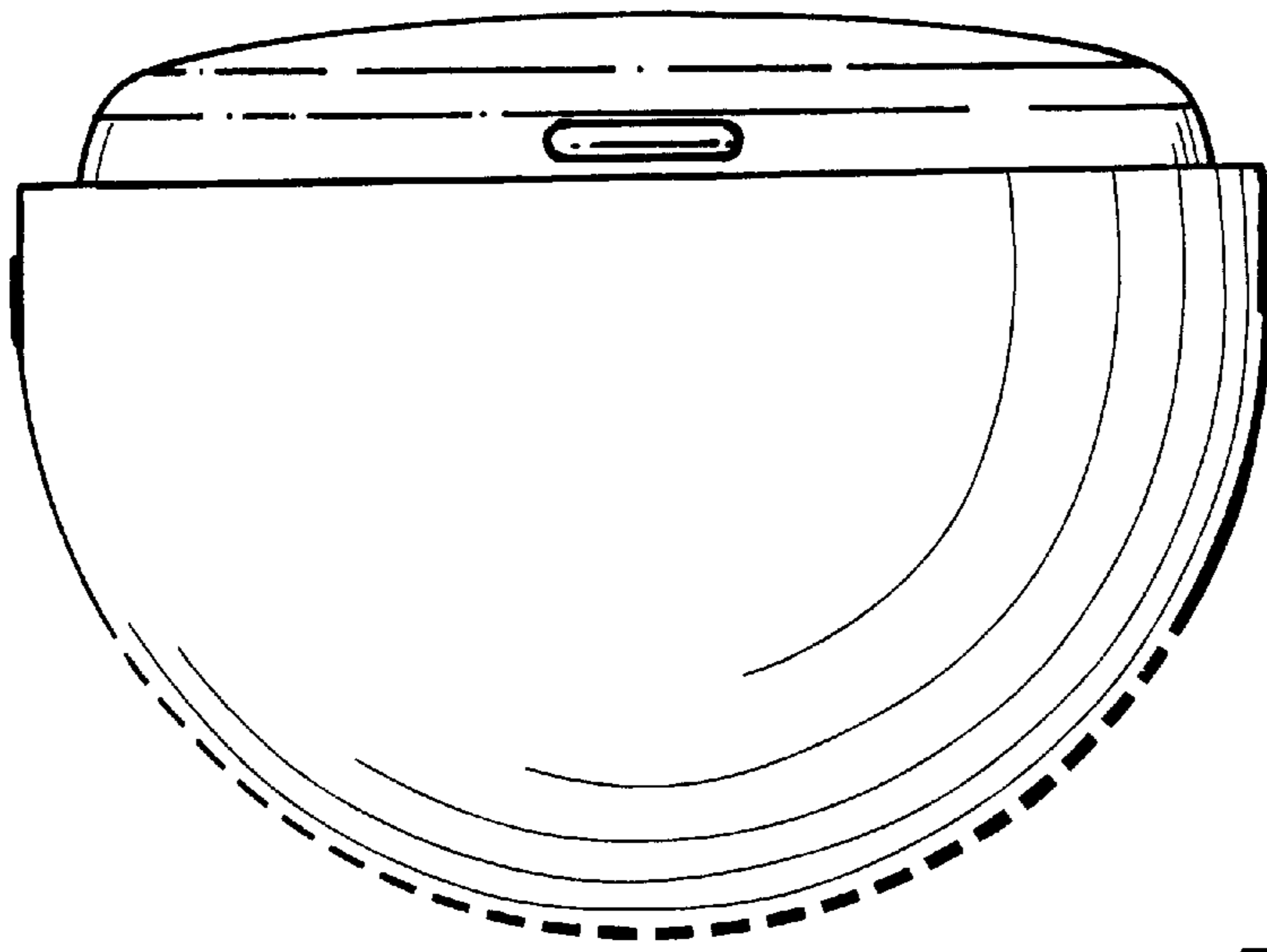


Fig. 5

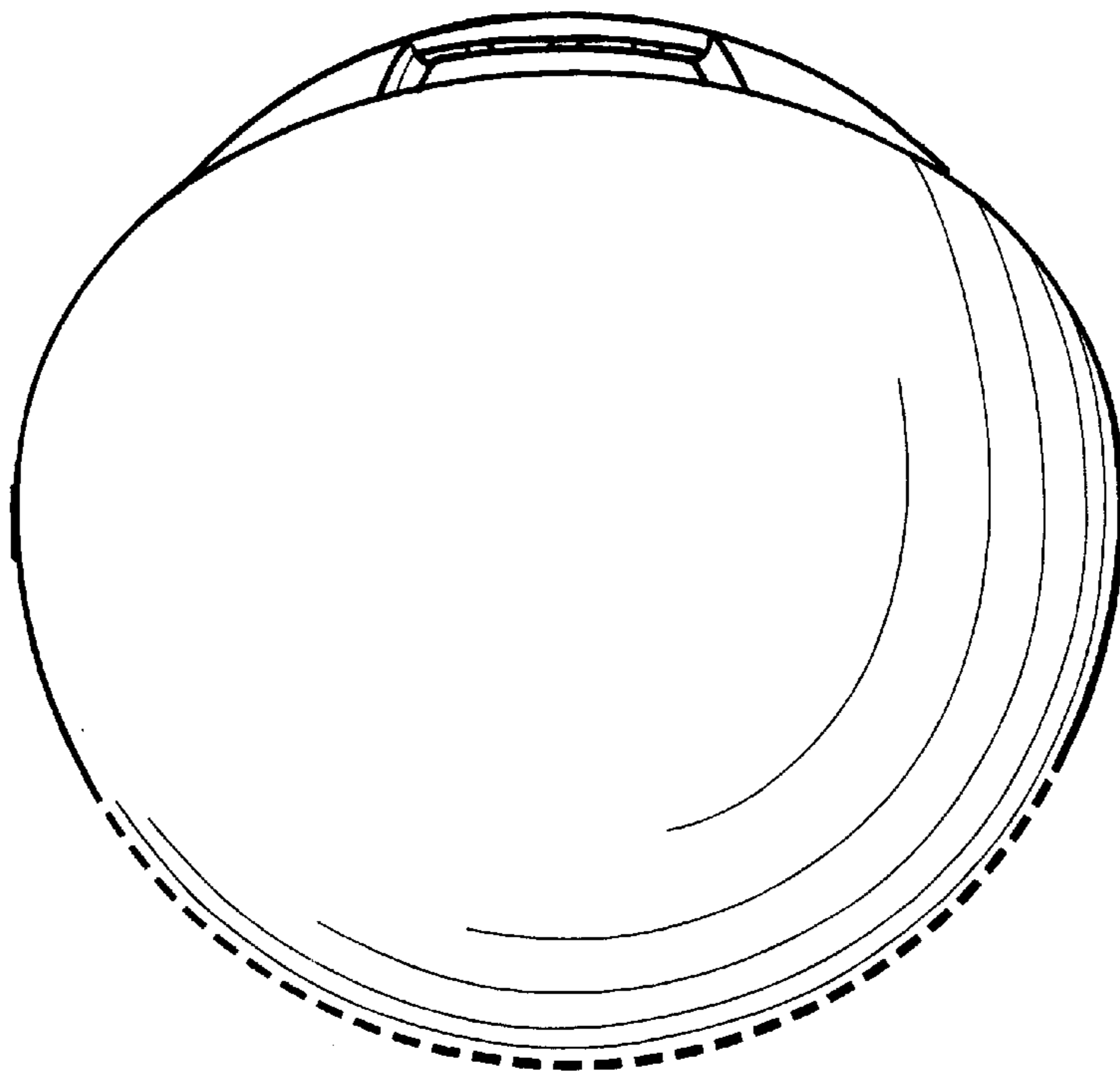


Fig. 6

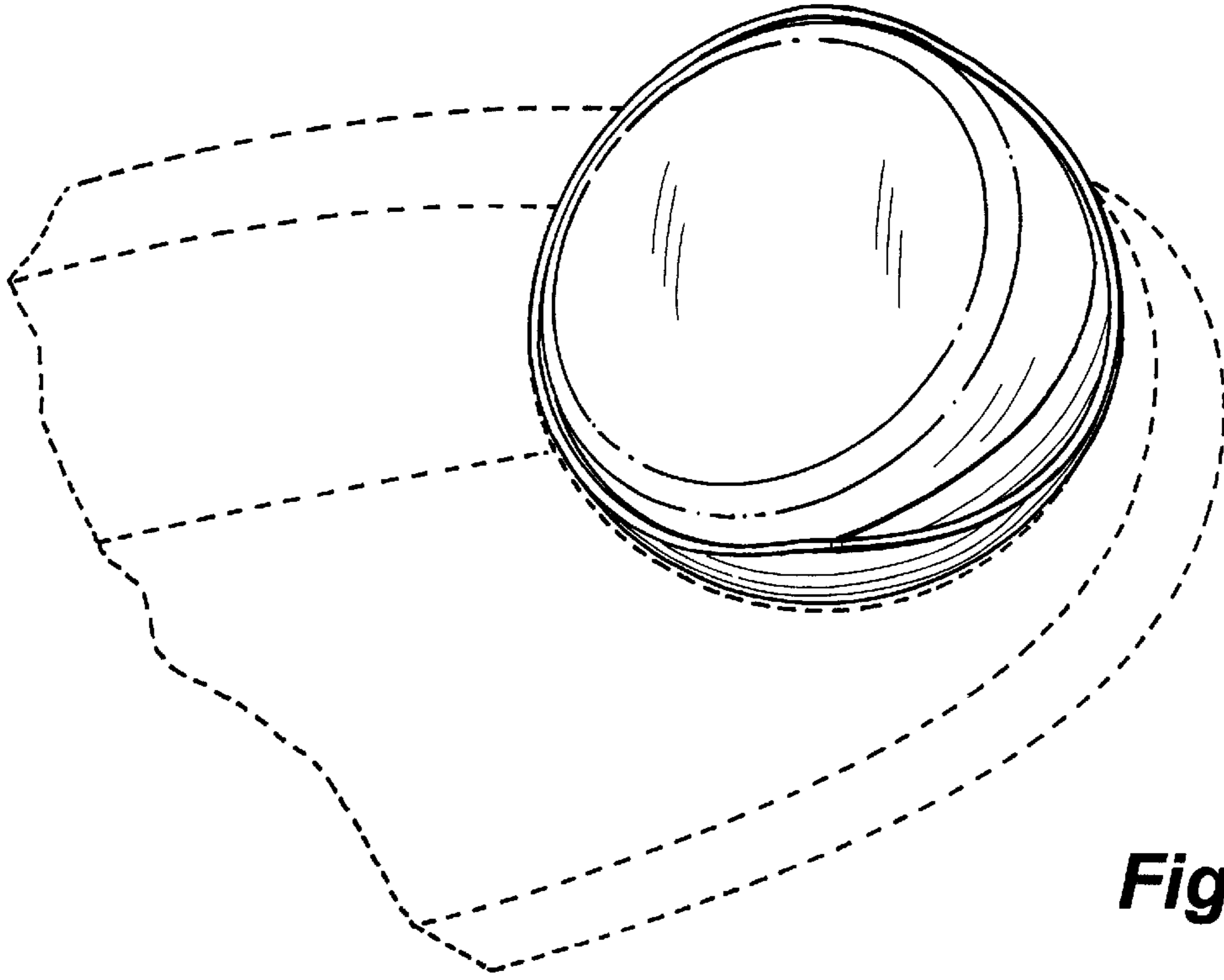


Fig. 7

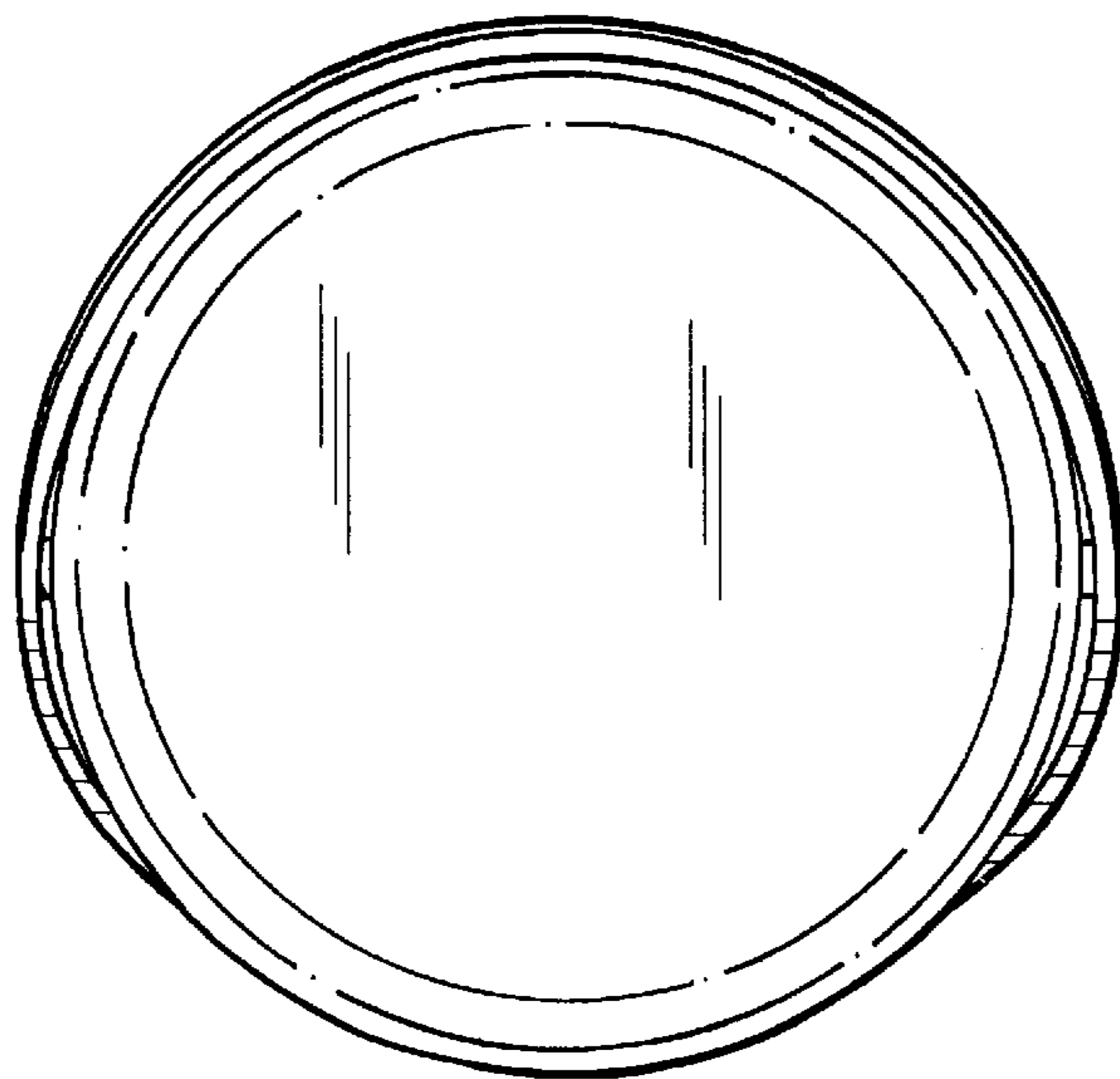


Fig. 8

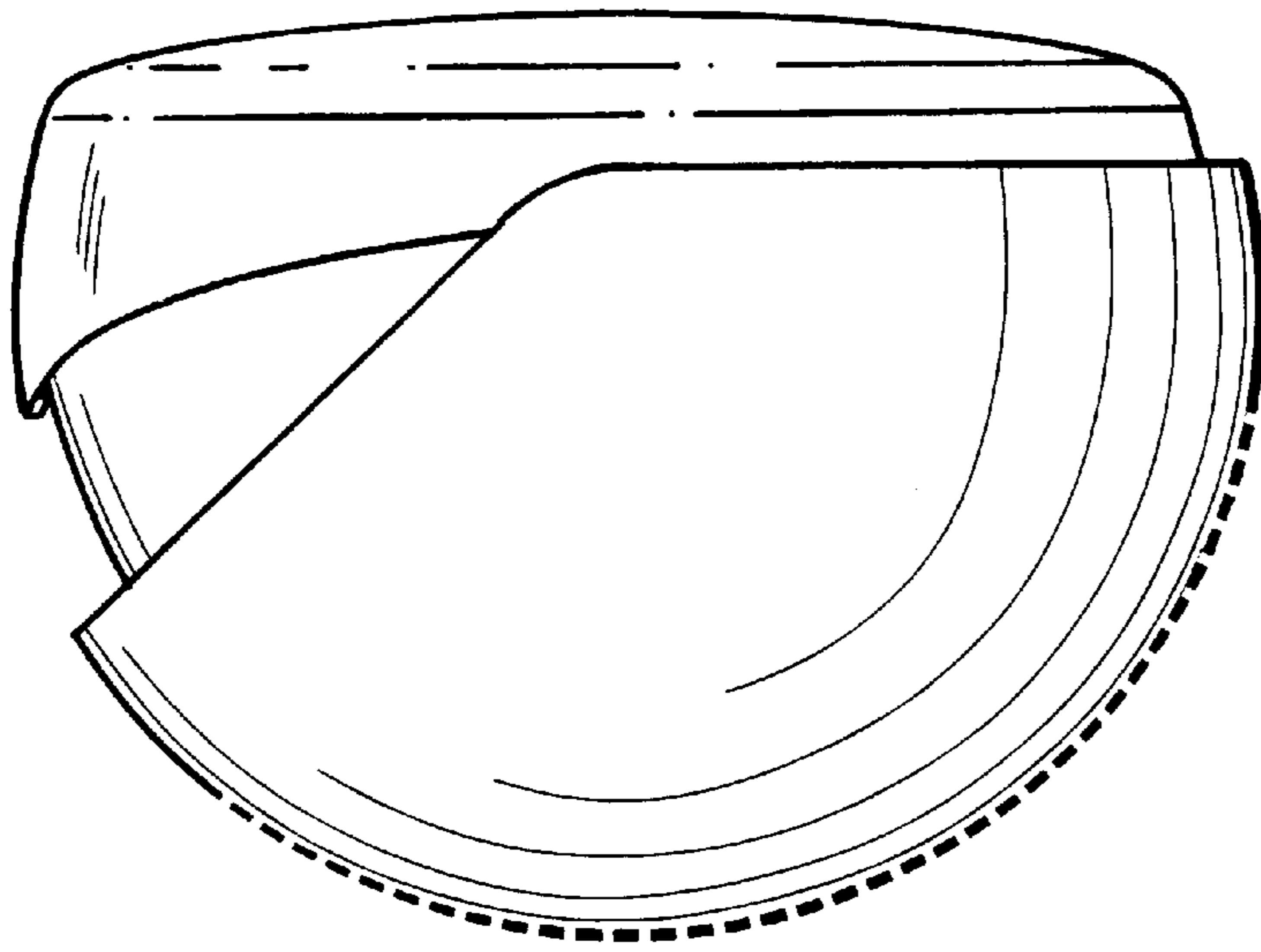


Fig. 9

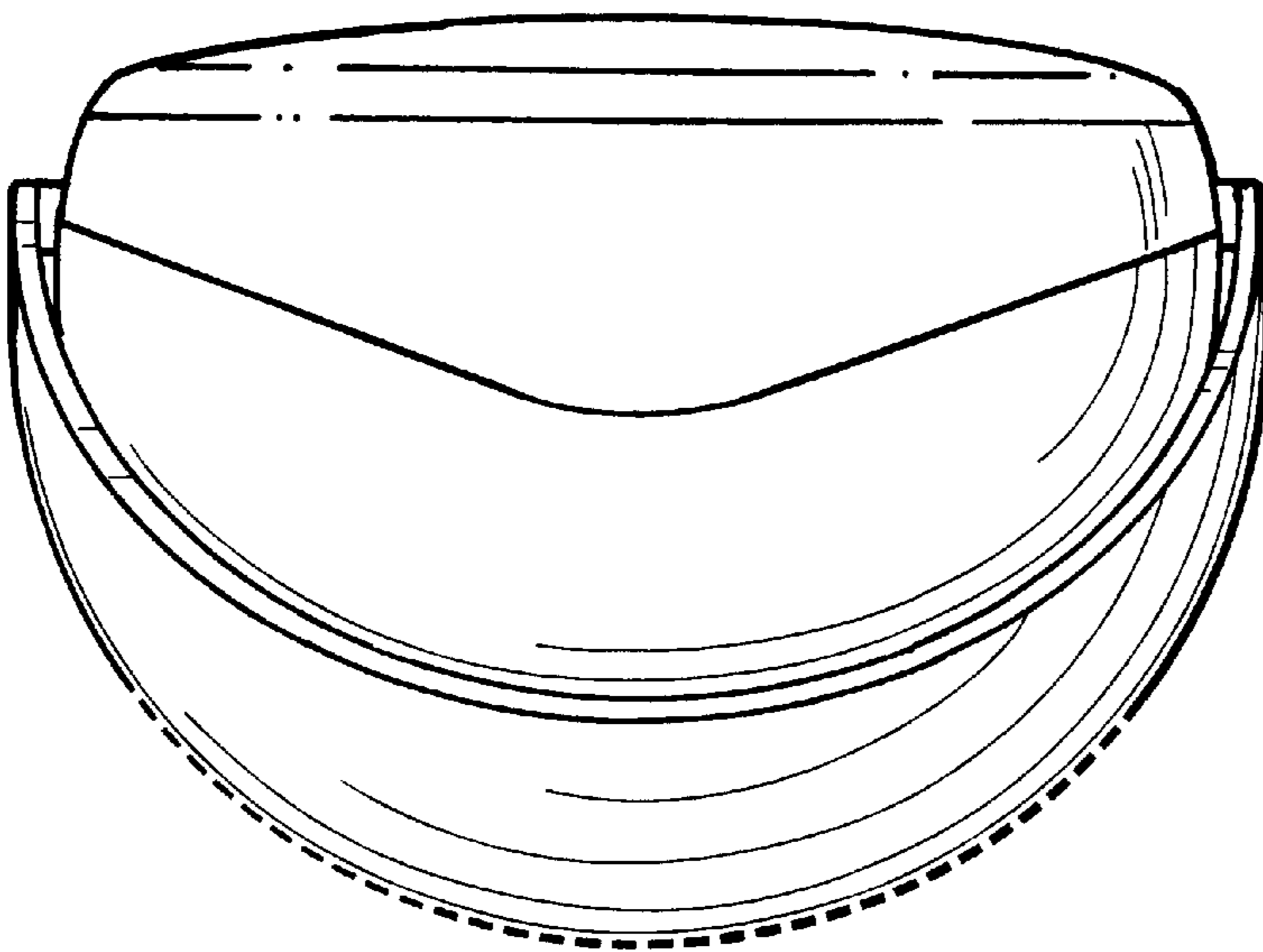


Fig. 10

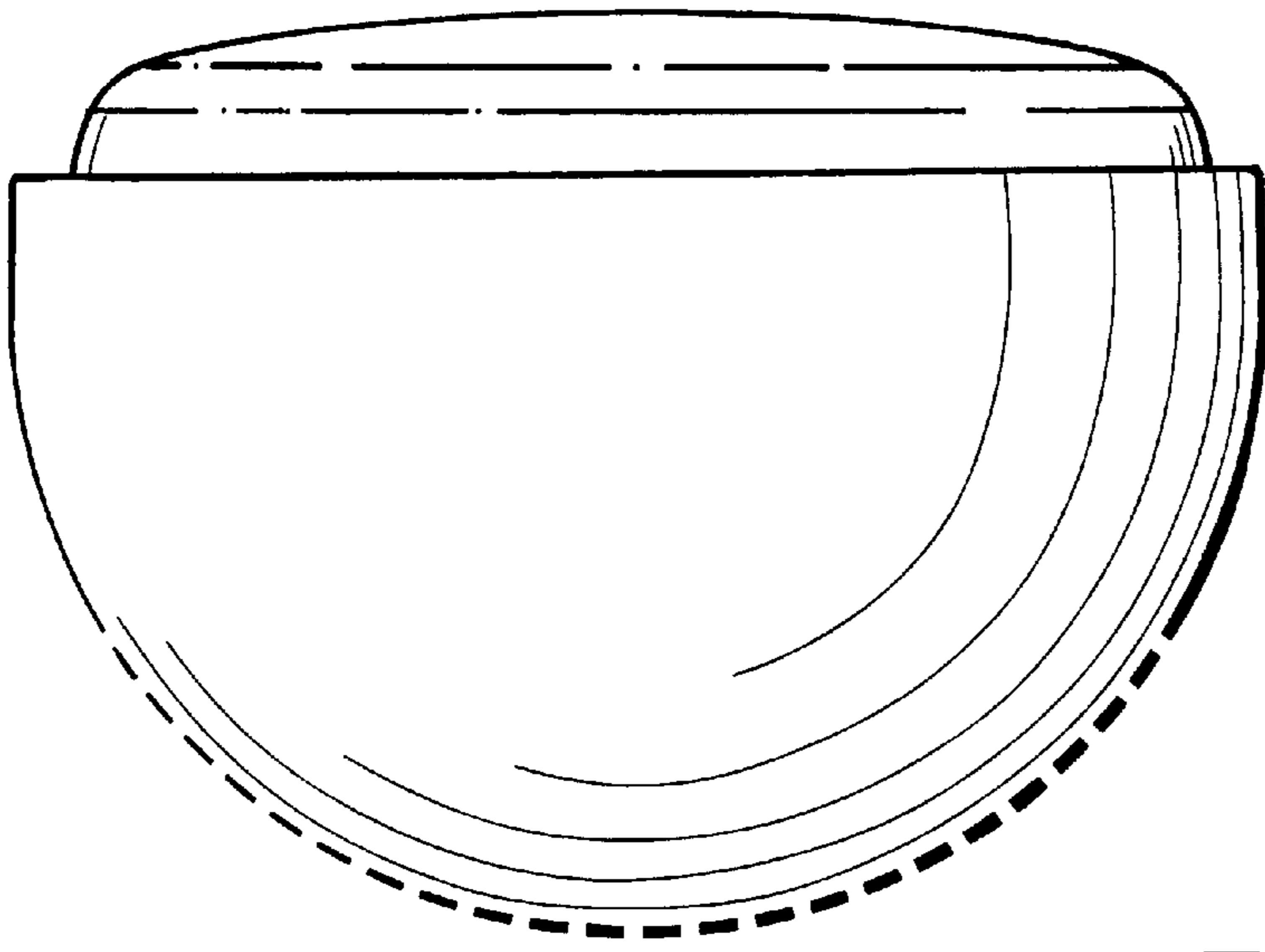


Fig. 11

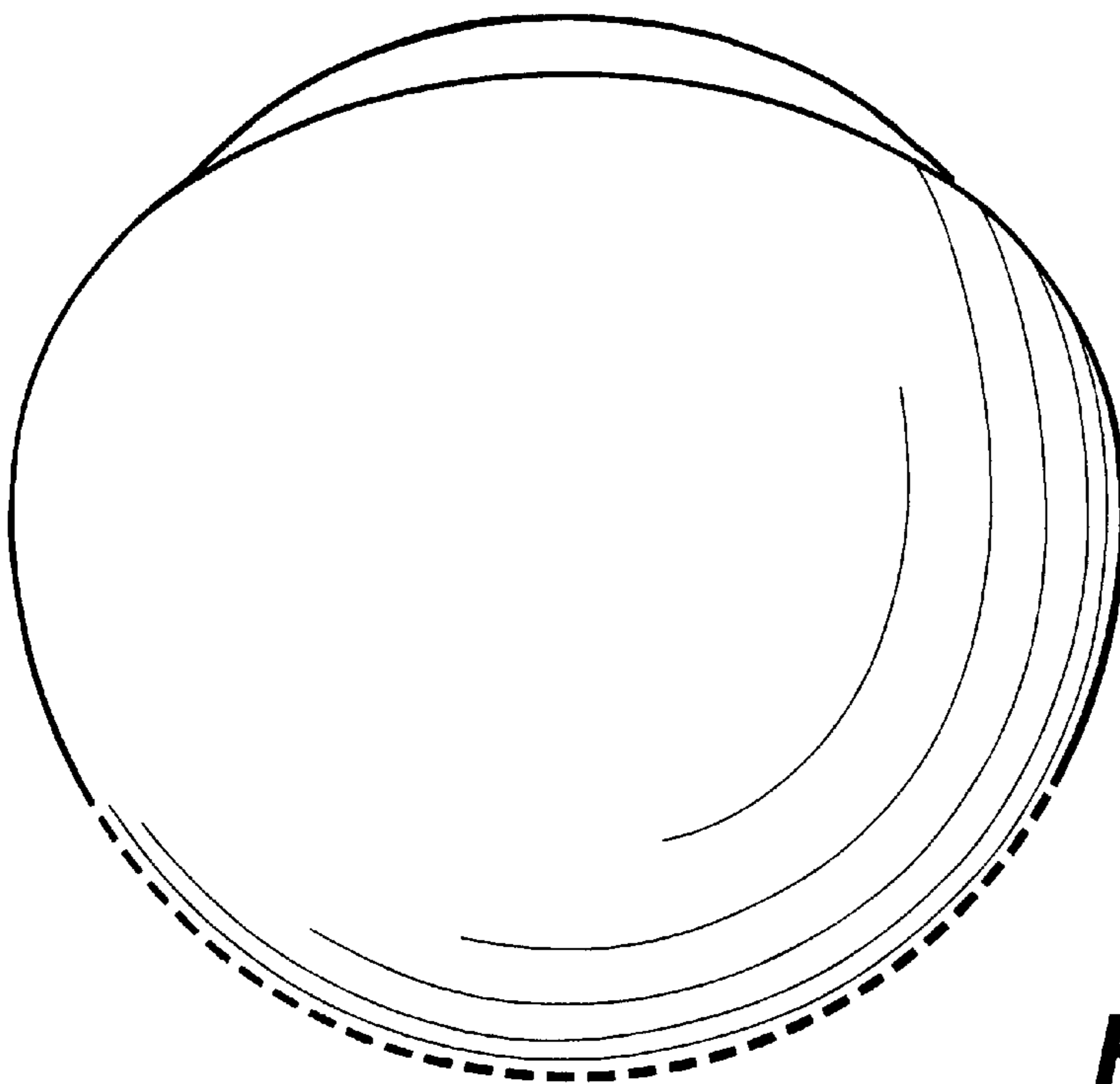


Fig. 12