



US00D484271S

(12) **United States Design Patent**  
**Chandler**

(10) **Patent No.:** **US D484,271 S**

(45) **Date of Patent:** **\*\* Dec. 23, 2003**

(54) **TABLE LAMP SUPPORT**

(75) Inventor: **George B. Chandler**, Hubbardton, VT  
(US)

(73) Assignee: **Hubbardton Forge**, Castleton, VT  
(US)

(\*\*) Term: **14 Years**

(21) Appl. No.: **29/177,437**

(22) Filed: **Mar. 10, 2003**

(51) **LOC (7) Cl.** ..... **26-03**

(52) **U.S. Cl.** ..... **D26/93**

(58) **Field of Search** ..... D26/93, 102-112,  
D26/142; 362/410-414

(56) **References Cited**

**U.S. PATENT DOCUMENTS**

D190,248 S \* 5/1961 Warywoda ..... D26/65

D241,367 S \* 9/1976 Emmel ..... D26/106

\* cited by examiner

*Primary Examiner*—Alan P. Douglas

*Assistant Examiner*—Linda Brooks

(74) *Attorney, Agent, or Firm*—Burr & Brown

(57) **CLAIM**

The ornamental design for a table lamp support, as shown and described.

**DESCRIPTION**

FIG. 1 is a perspective view of the table lamp support in accordance with my new design;

FIG. 2 is a front view thereof;

FIG. 3 is a rear view thereof;

FIG. 4 is a left side view thereof;

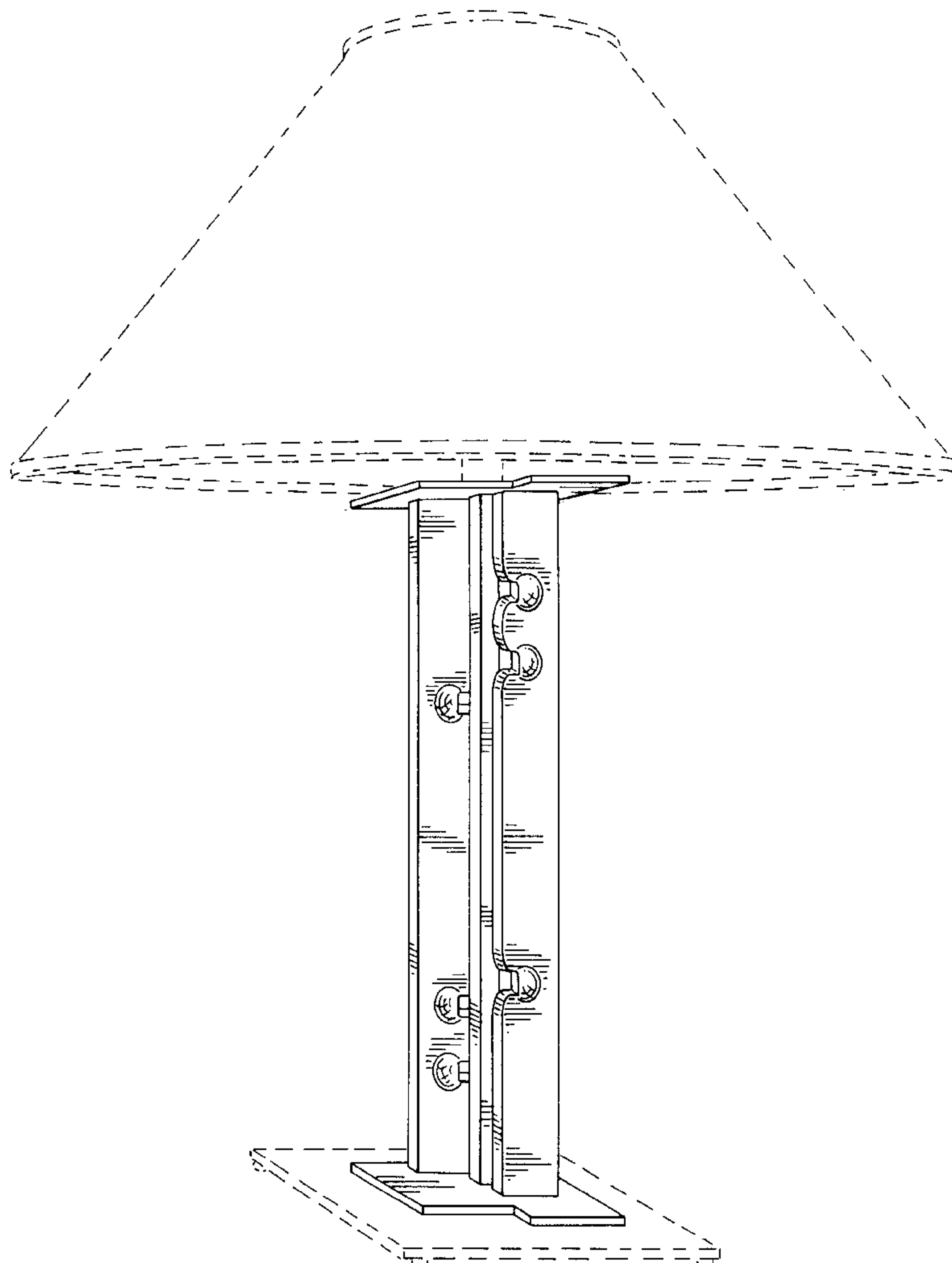
FIG. 5 is a right view thereof;

FIG. 6 is a top view thereof; and,

FIG. 7 is bottom view thereof.

The portions shown in broken lines are for illustrative purposes only and form no part of the claimed design.

**1 Claim, 5 Drawing Sheets**



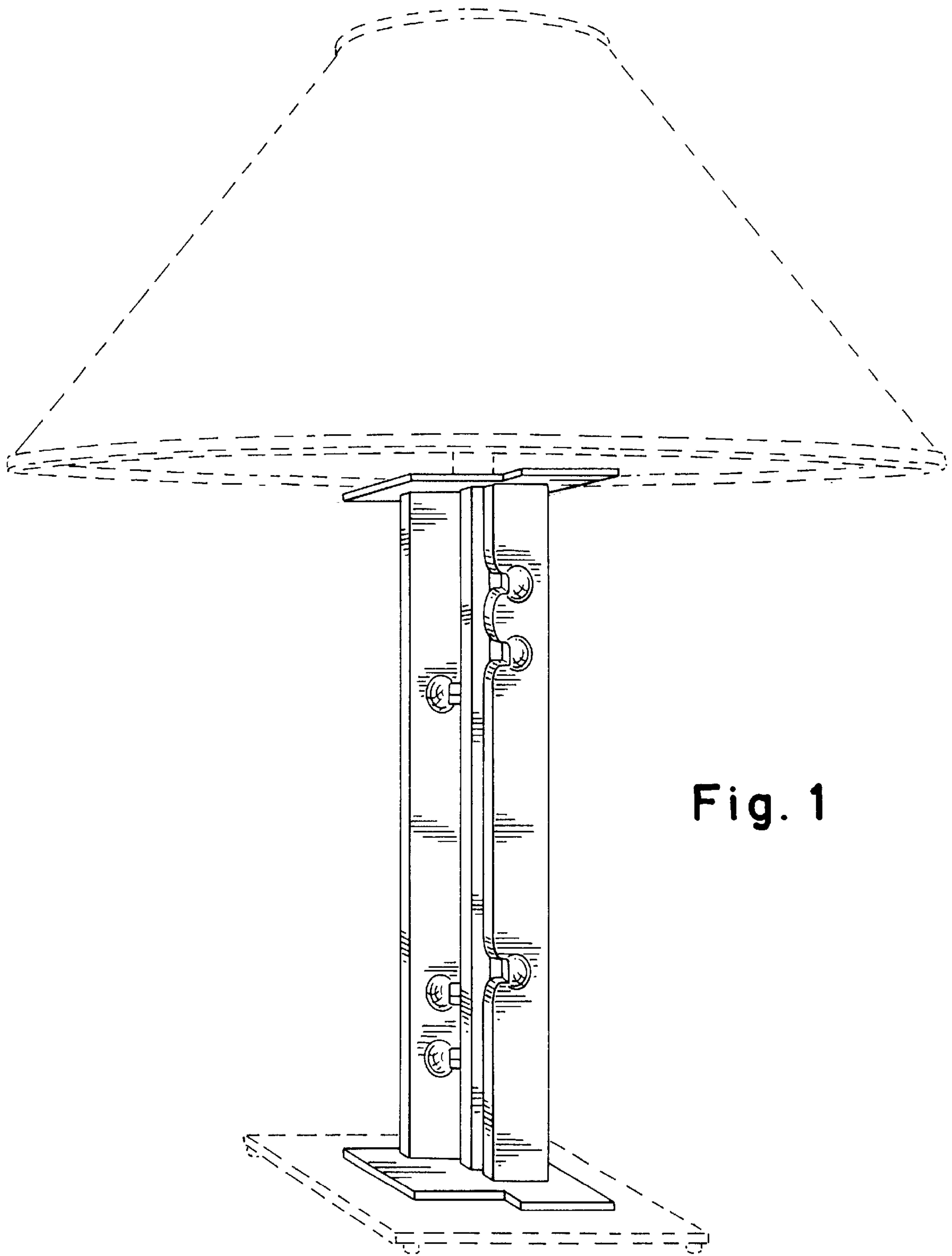


Fig. 1

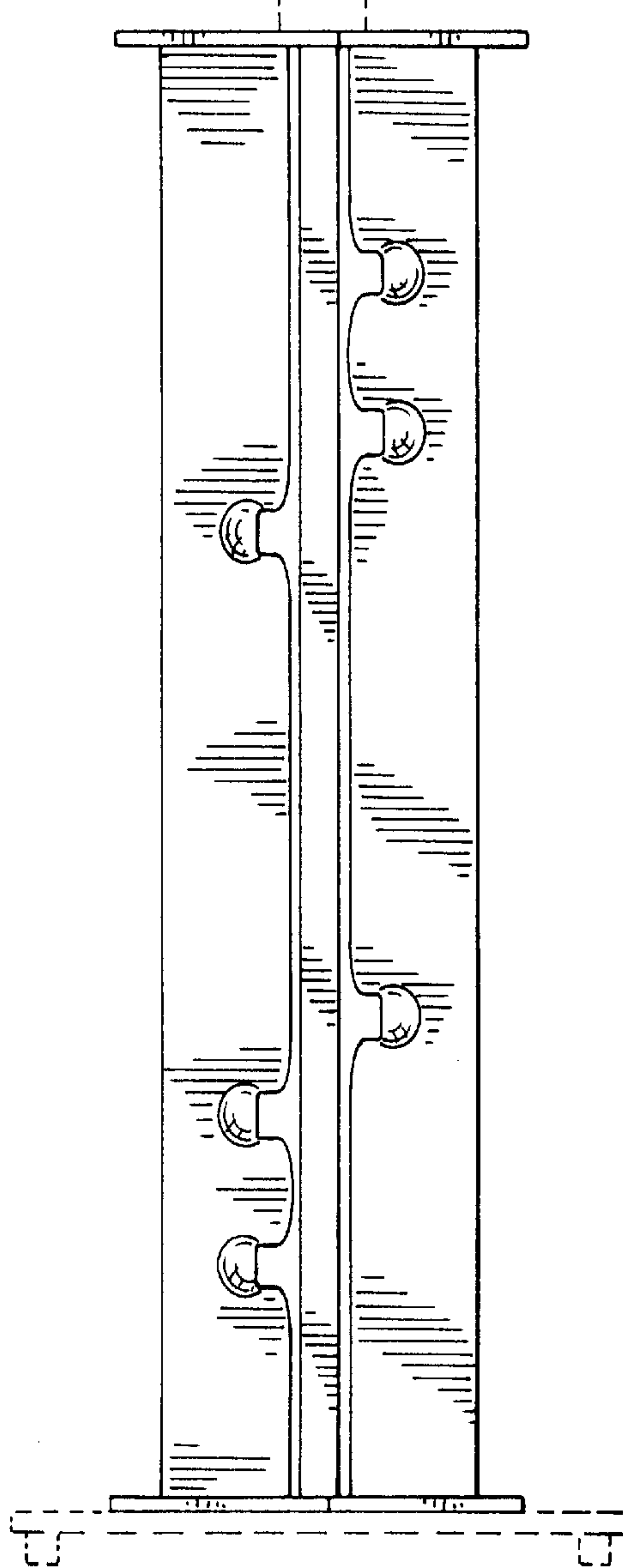
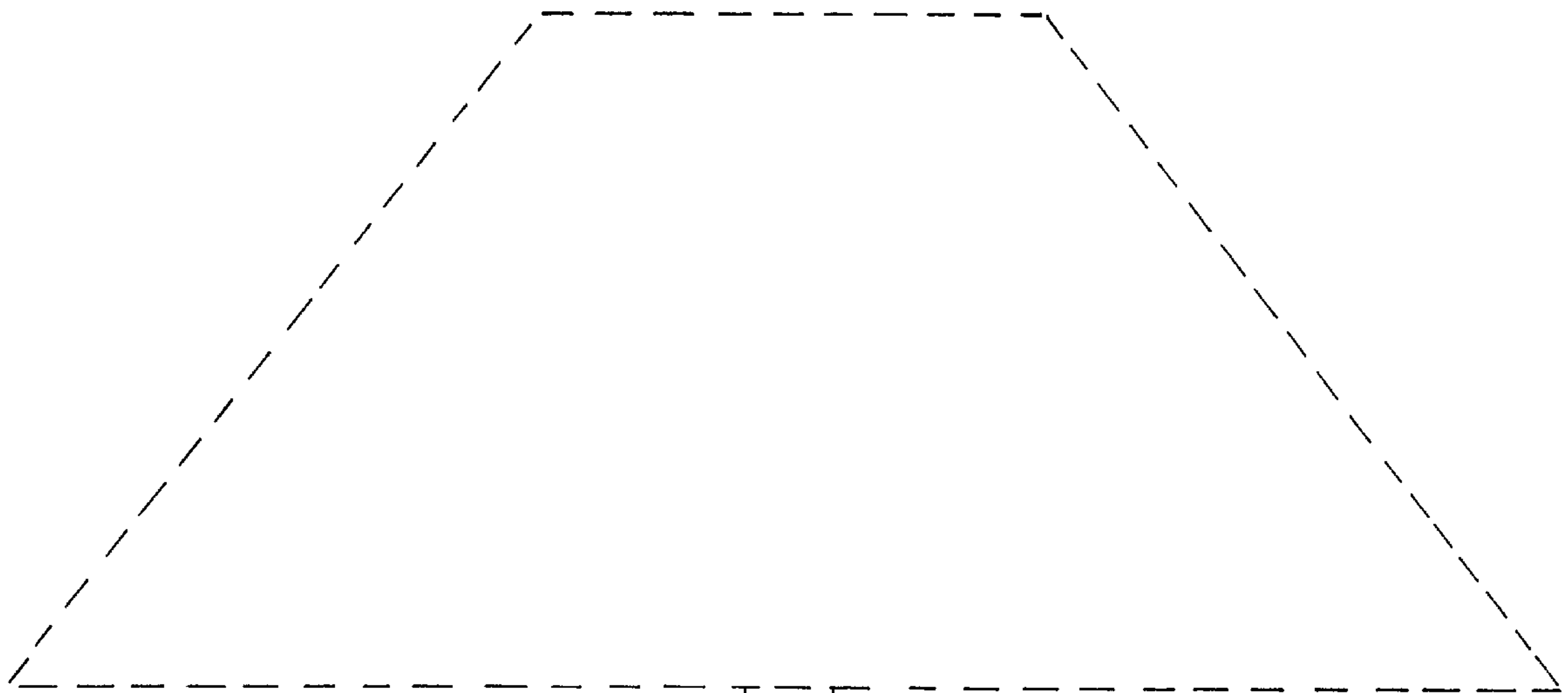


Fig. 2

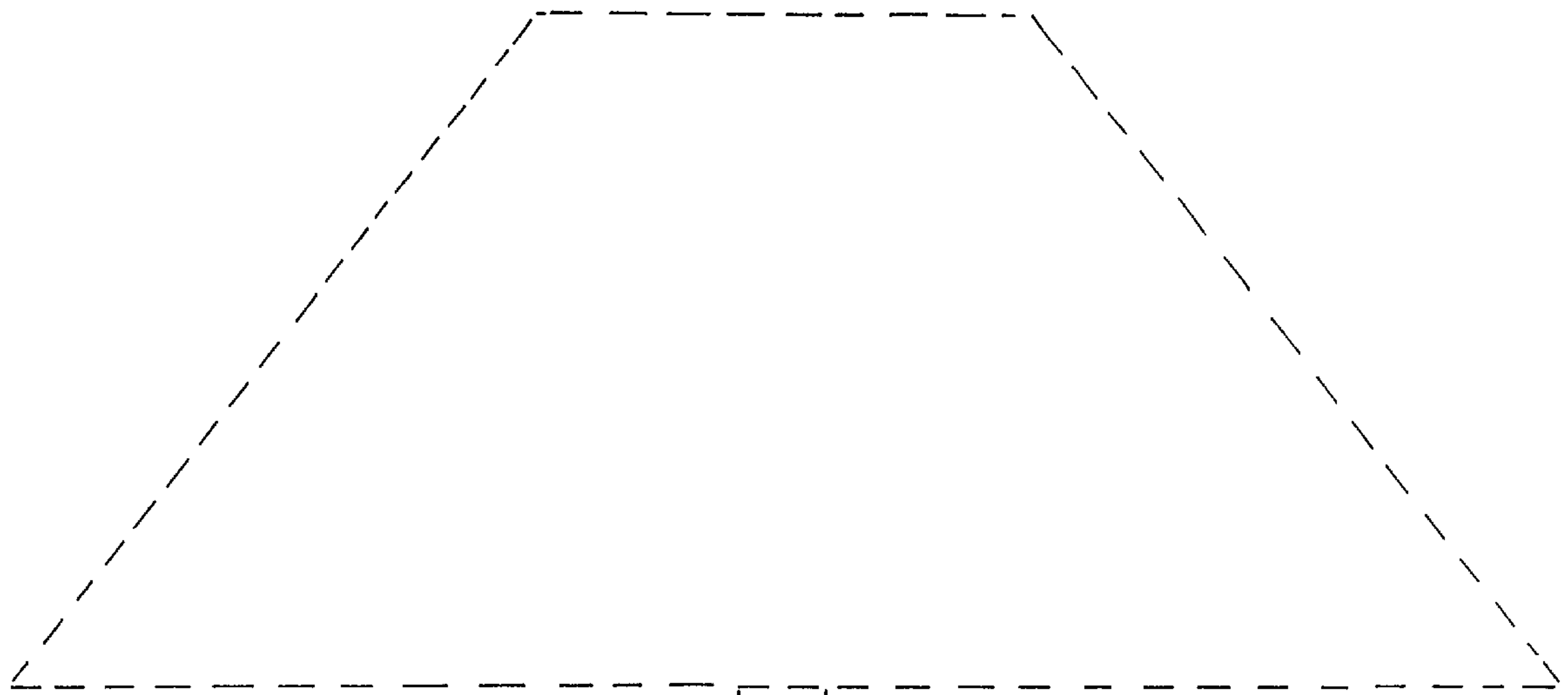
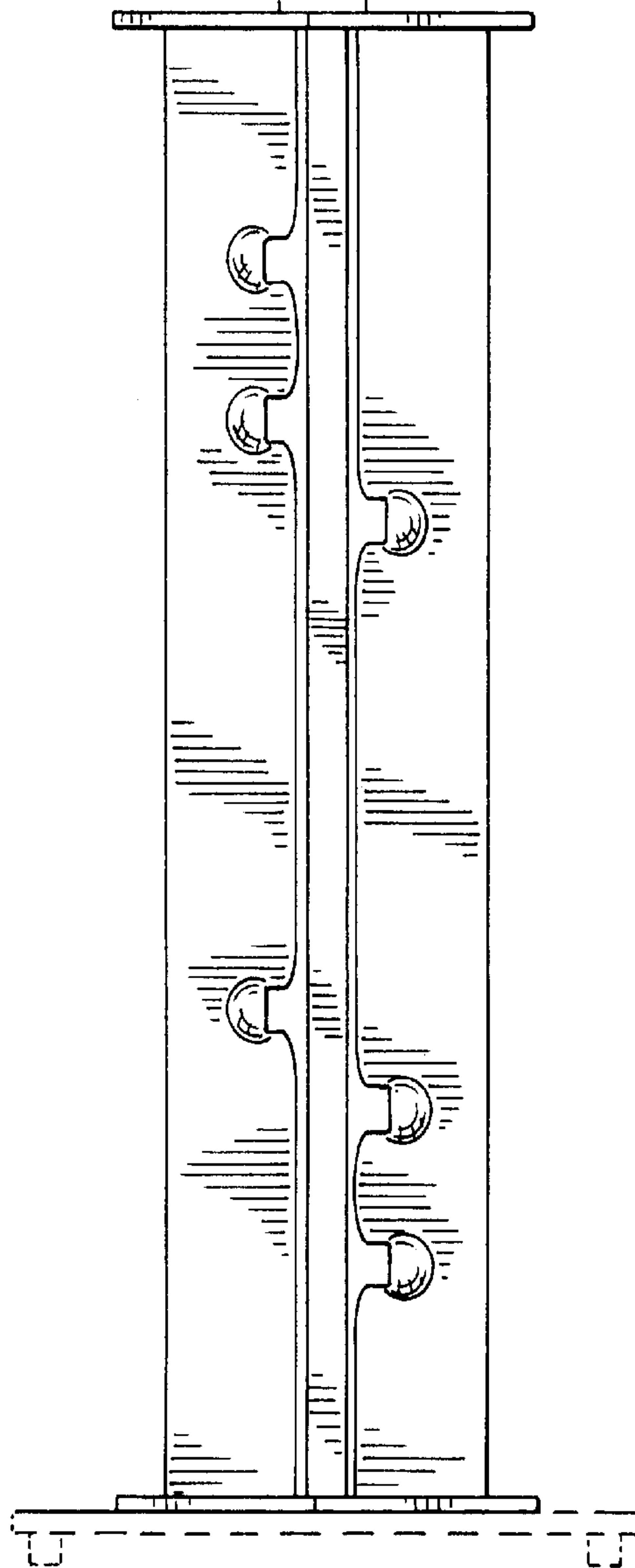
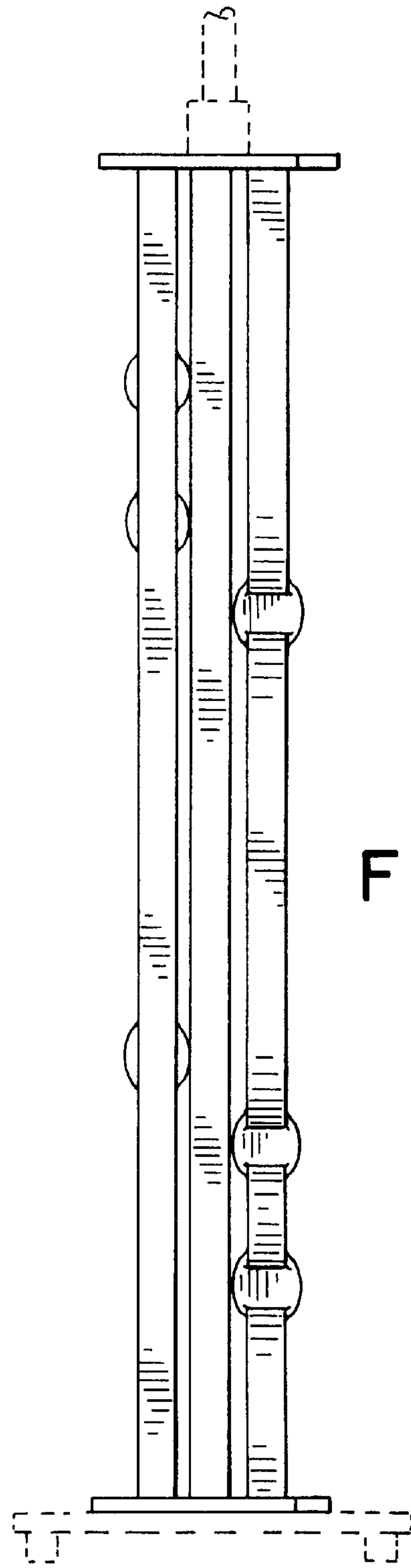
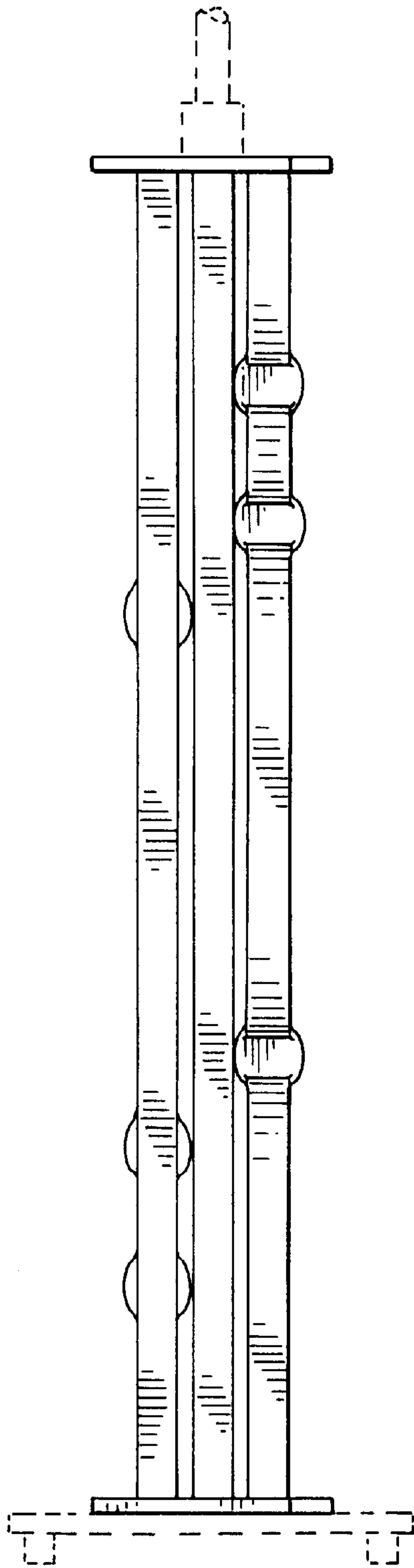


Fig. 3





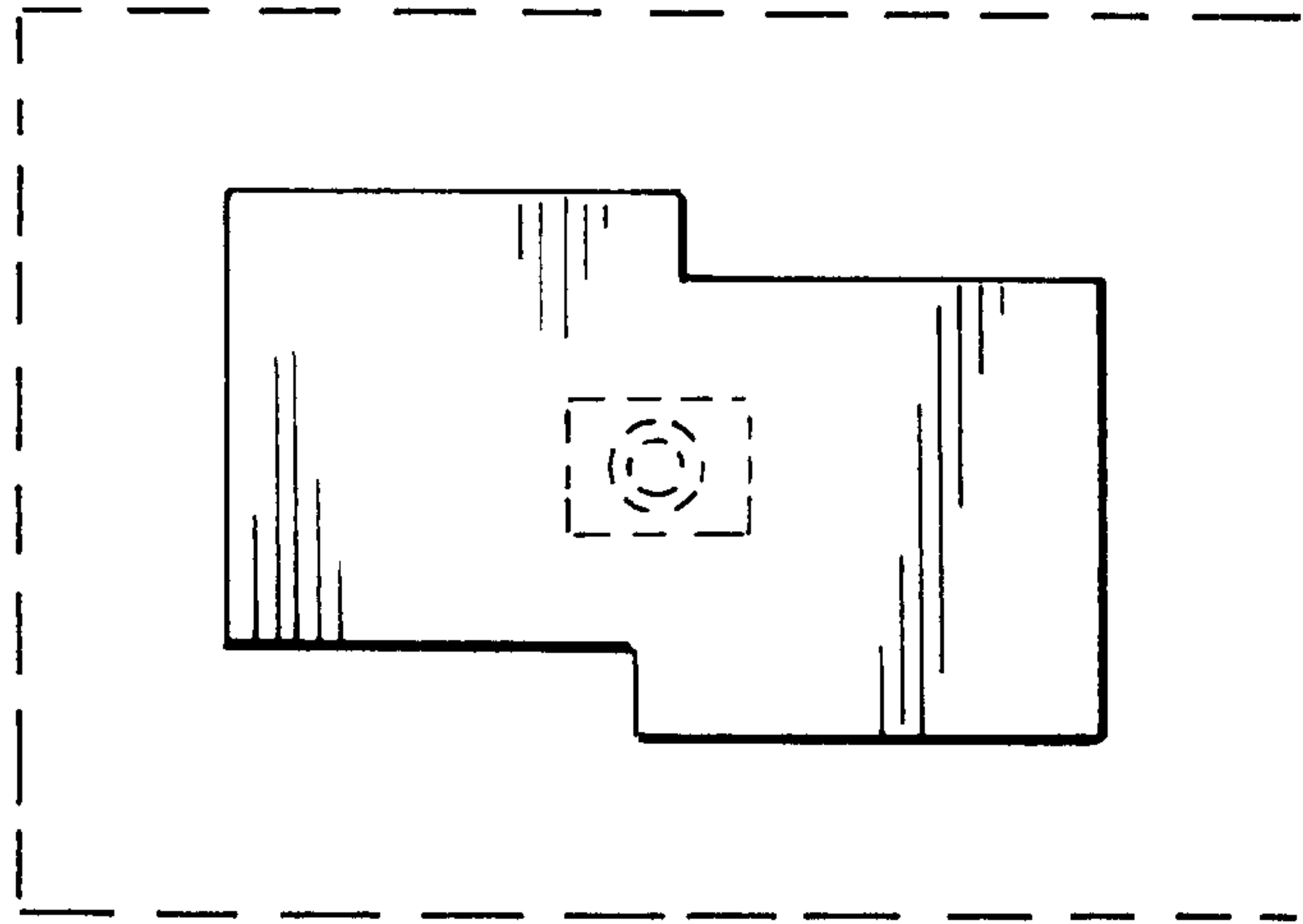


Fig. 6

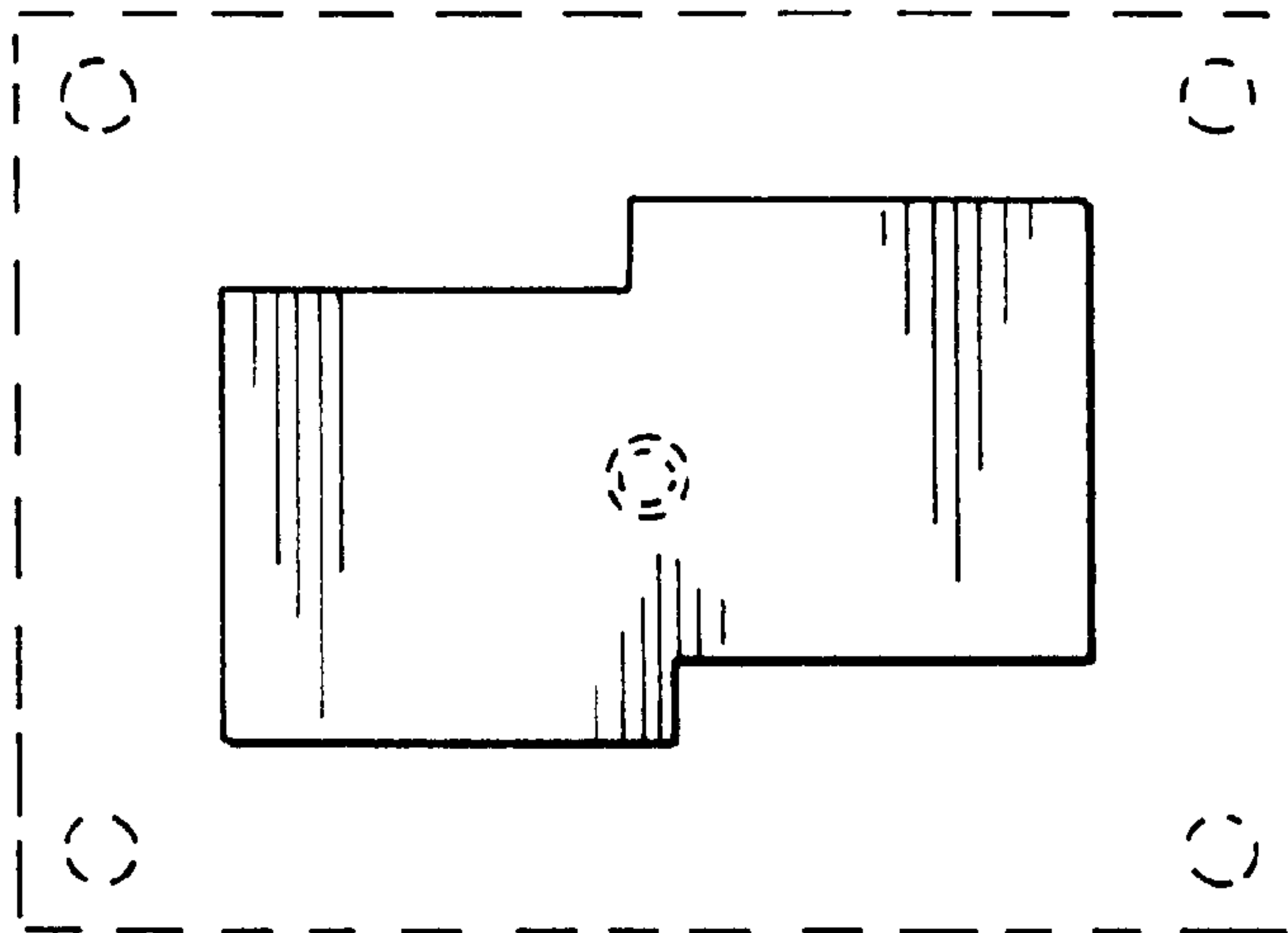


Fig. 7