



US00D484270S

(12) **United States Design Patent**
Yiu

(10) **Patent No.:** **US D484,270 S**

(45) **Date of Patent:** **** Dec. 23, 2003**

(54) **PUCK LIGHT FIXTURE**

(76) Inventor: **Newman Lau Man Yiu**, 17th Floor,
Room 1710, Regent Center, Tower A,
63 Wo Yi Hop Road, Kwai Chung (HK)

(**) Term: **14 Years**

(21) Appl. No.: **29/166,563**

(22) Filed: **Aug. 30, 2002**

(51) **LOC (7) Cl.** **26-03**

(52) **U.S. Cl.** **D26/89**

(58) **Field of Search** D26/72, 73, 80-92;
362/147, 150, 237, 404-406, 418, 430,
432, 555, 800, 806

(56) **References Cited**

U.S. PATENT DOCUMENTS

| | | | | | |
|-------------|---|---------|-----------------|-------|---------|
| 4,814,949 A | * | 3/1989 | Elliott | | 362/159 |
| 5,160,200 A | * | 11/1992 | Cheselske | | 362/800 |
| D343,019 S | * | 1/1994 | Garrity | | D26/85 |
| D442,303 S | * | 5/2001 | Moriyama et al. | | D26/72 |
| D443,377 S | * | 6/2001 | Handsaker | | D26/72 |
| D443,713 S | * | 6/2001 | Benensohn | | D26/72 |

OTHER PUBLICATIONS

Seagull Lighting Catalog 1996, p. 142, Disk Light #9485-05
and #9485-15.*

Taiwan Lighting, May 2000, p. 241, item # EB-25063.*

U.S. patent application Ser. No. 29/166,555, filed Aug. 30,
2002, entitled Mounting Bracket for Puck Light.

* cited by examiner

Primary Examiner—Clare E. Heflin

(74) *Attorney, Agent, or Firm*—Merchant & Gould

(57) **CLAIM**

The ornamental design for a puck light fixture, as shown and
described.

DESCRIPTION

FIG. 1 is a perspective view of my new design for a light
fixture with phantom lines indicating an array of stand-offs,
or studs, along with apertured mounting brackets and vari-
ous wall thicknesses throughout the figures, which form no
part of the claimed design;

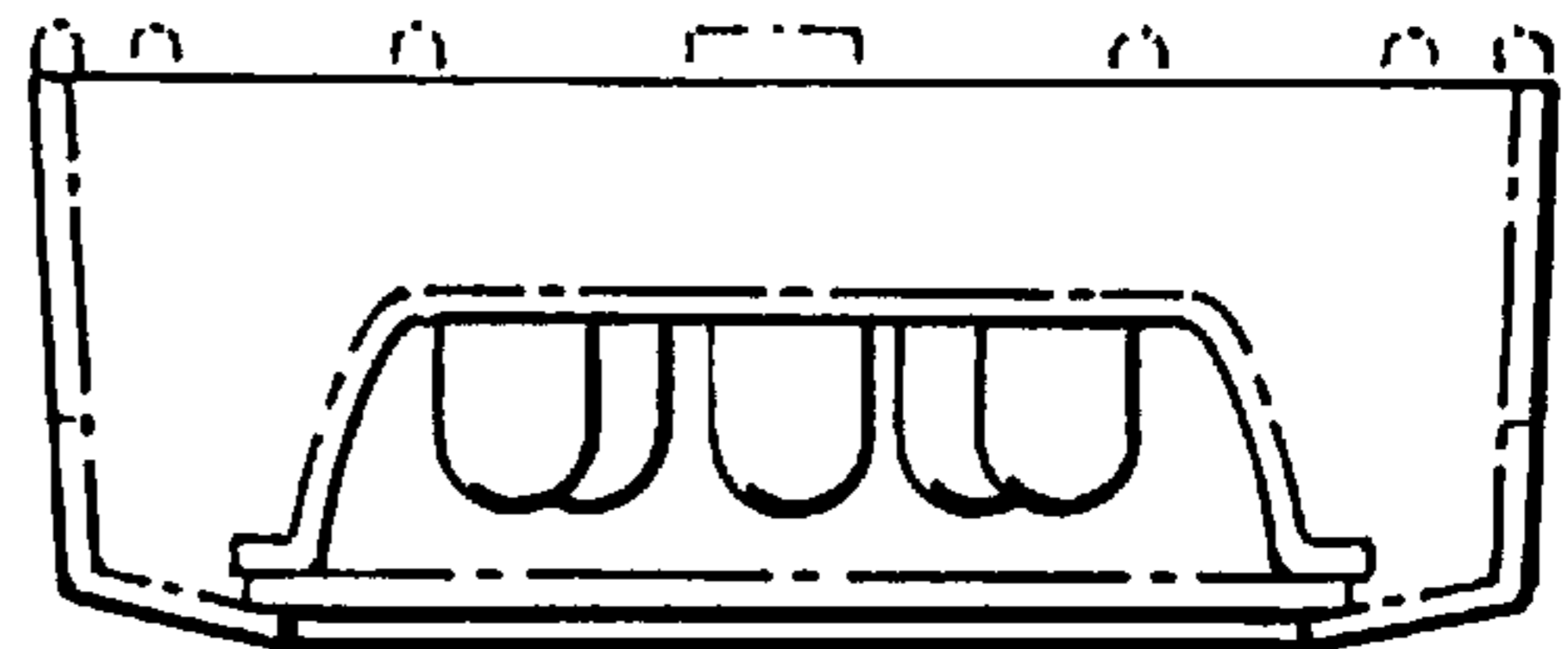
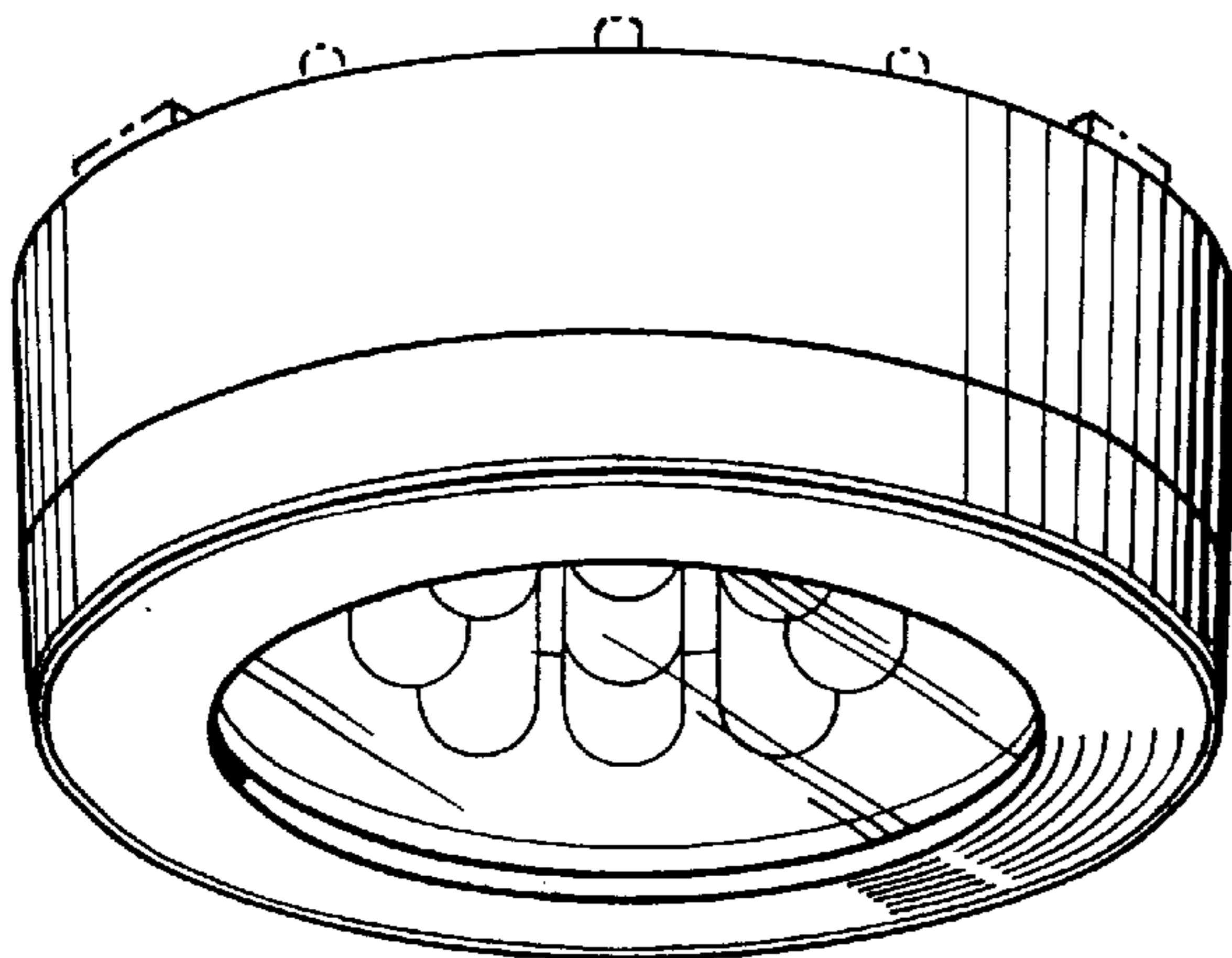
FIG. 2 is a bottom plan, or front view of the fixture of FIG.
1;

FIG. 3 is a top plan, or back view of the fixture of FIG. 1;

FIG. 4 is a side elevation of the fixture of FIG. 1; and,

FIG. 5 is a cross-section view taken along lines 5—5 in FIG.
2 showing the light array and reflector seen in FIGS. 1 and
2.

1 Claim, 1 Drawing Sheet



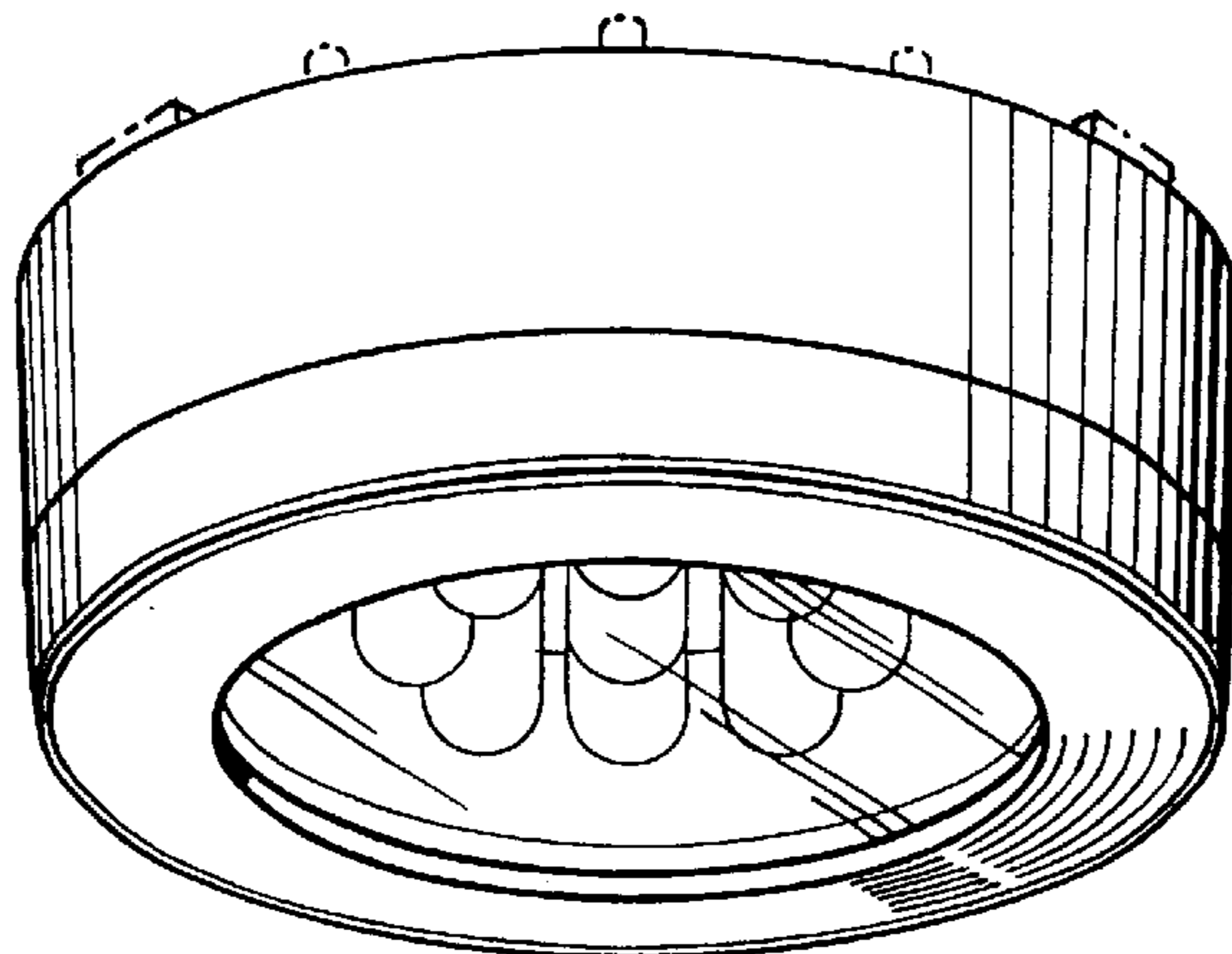


FIG 1

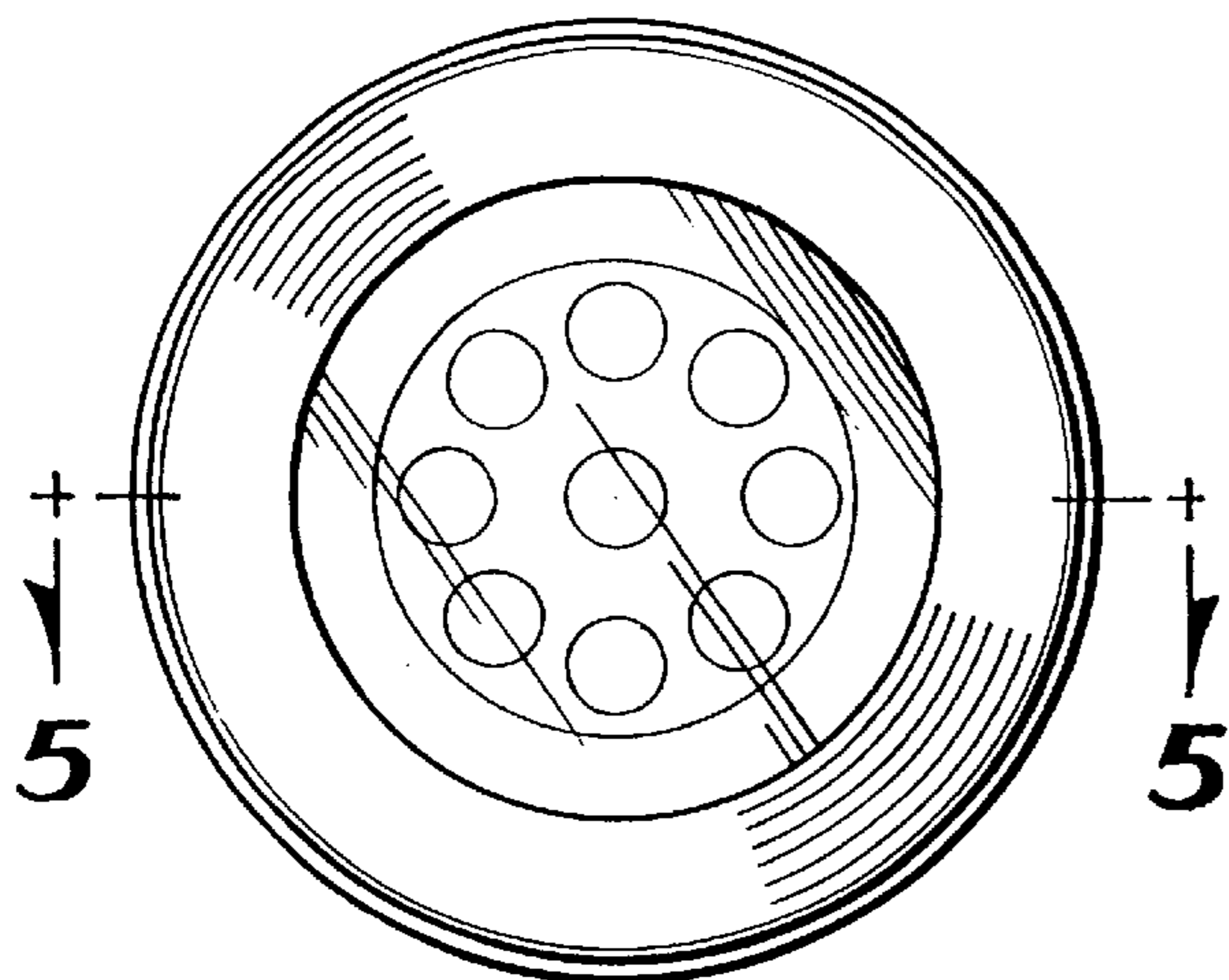


FIG 2

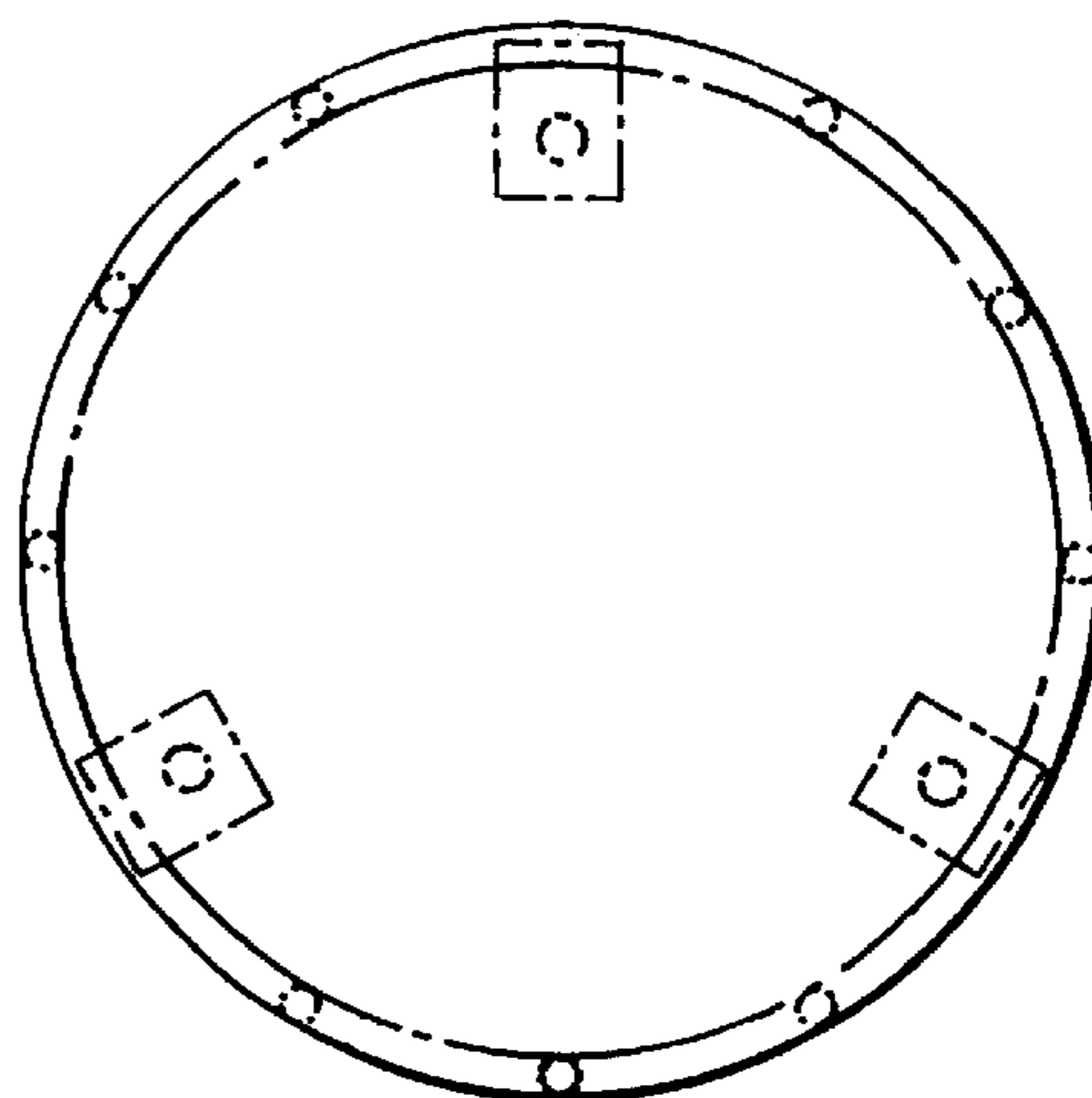


FIG 3

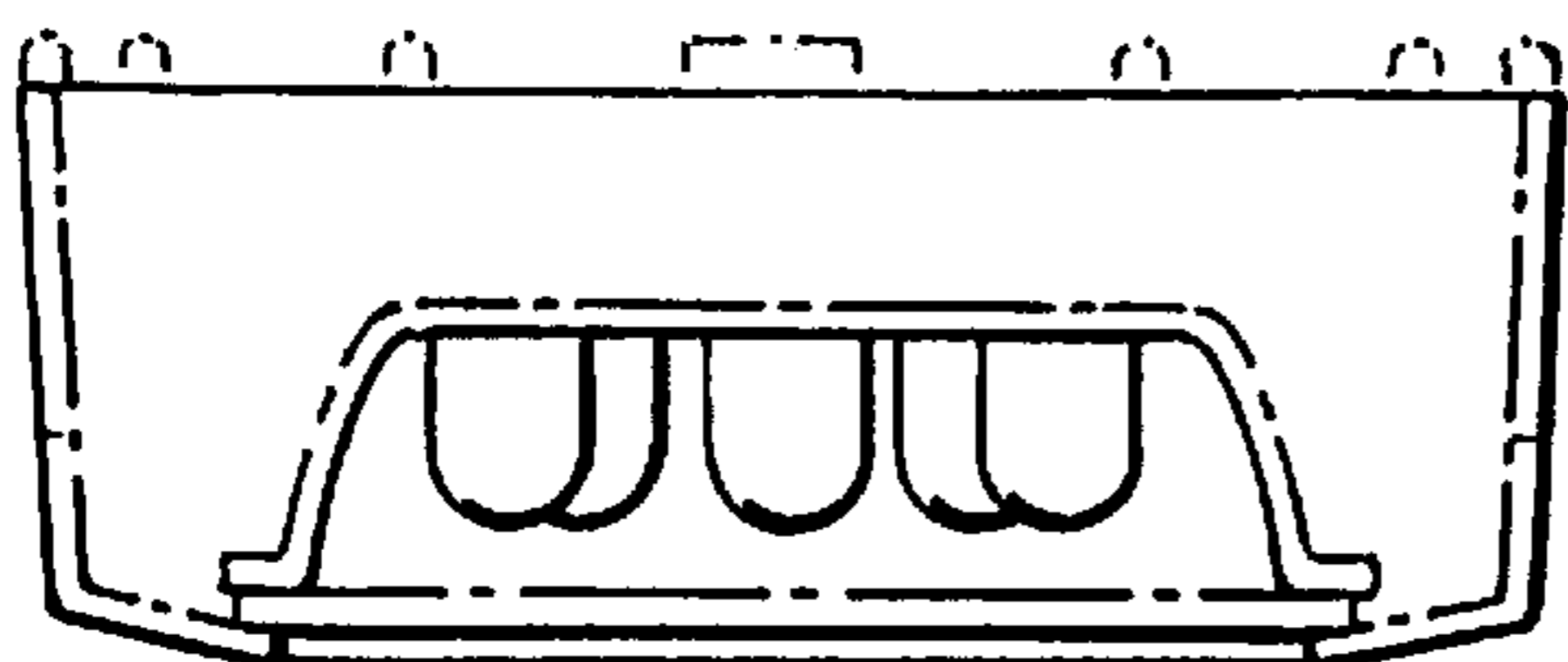


FIG 5

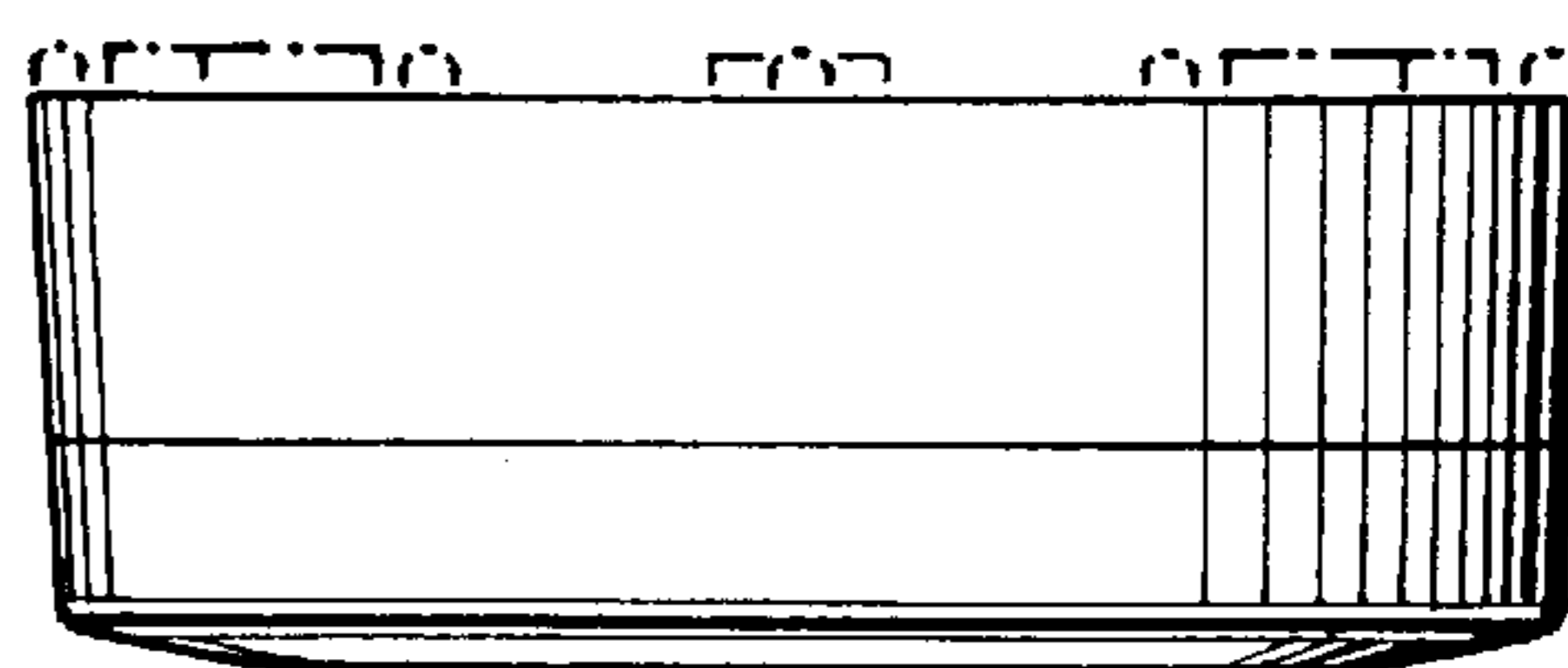


FIG 4