



US00D484268S

(12) **United States Design Patent**  
**Hsieh**

(10) **Patent No.:** **US D484,268 S**

(45) **Date of Patent:** **\*\* Dec. 23, 2003**

(54) **STAND LAMP**

(75) Inventor: **Duan-Cheng Hsieh**, Taipei (TW)

(73) Assignee: **Habitex Corporation**, Taipei (TW)

(\*\*) Term: **14 Years**

(21) Appl. No.: **29/172,851**

(22) Filed: **Dec. 19, 2002**

(51) **LOC (7) Cl.** ..... **26-05**

(52) **U.S. Cl.** ..... **D26/62; D26/102**

(58) **Field of Search** ..... D26/60-66, 102-112;  
362/410-414, 250, 269, 270, 275, 277-288,  
401, 418, 421, 427

(56) **References Cited**

**U.S. PATENT DOCUMENTS**

5,620,247 A *	4/1997	Swanson	362/250
D381,104 S *	7/1997	Linstone	D26/62
5,800,054 A *	9/1998	Lo	362/431
D429,535 S *	8/2000	Swanson	D26/66

\* cited by examiner

*Primary Examiner*—Pamela Burgess

*Assistant Examiner*—Linda Brooks

(74) *Attorney, Agent, or Firm*—Finnegan, Henderson, Farabow, Garrett & Dunner, L.L.P.

(57) **CLAIM**

The ornamental design for a stand lamp, as shown and described.

**DESCRIPTION**

FIG. 1 is a perspective view of a stand lamp showing the new design;

FIG. 2 is a front elevational view thereof;

FIG. 3 is a rear elevational view thereof;

FIG. 4 is a left side elevational view thereof;

FIG. 5 is a right side elevational view thereof;

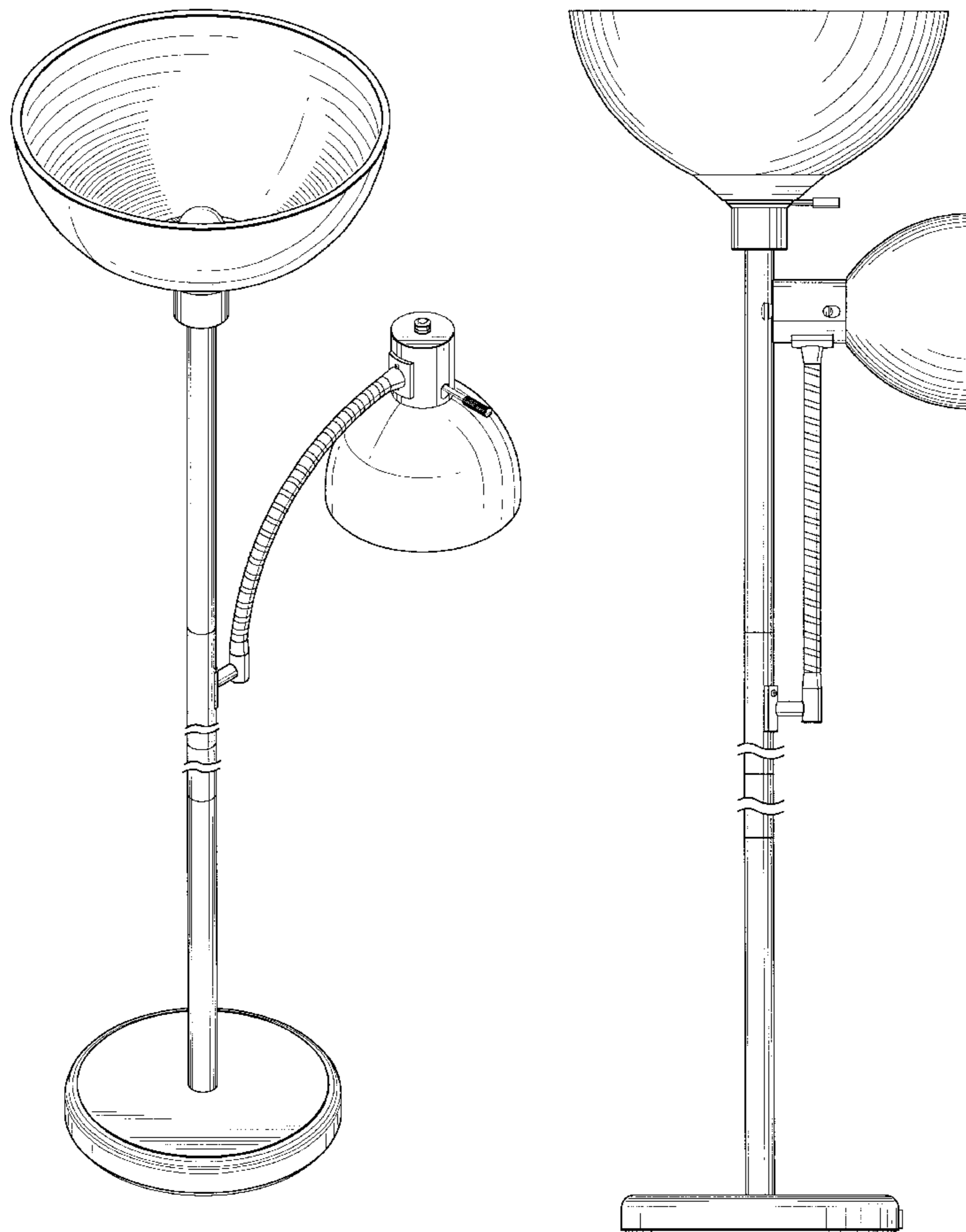
FIG. 6 is a top plan view thereof;

FIG. 7 is a bottom plan view thereof; and,

FIG. 8 is another right side elevational view thereof in alternate position.

The portions of the design shown broken away in FIGS. 1, 2, 3, 4, 5, and 8 indicate indeterminate length.

**1 Claim, 8 Drawing Sheets**



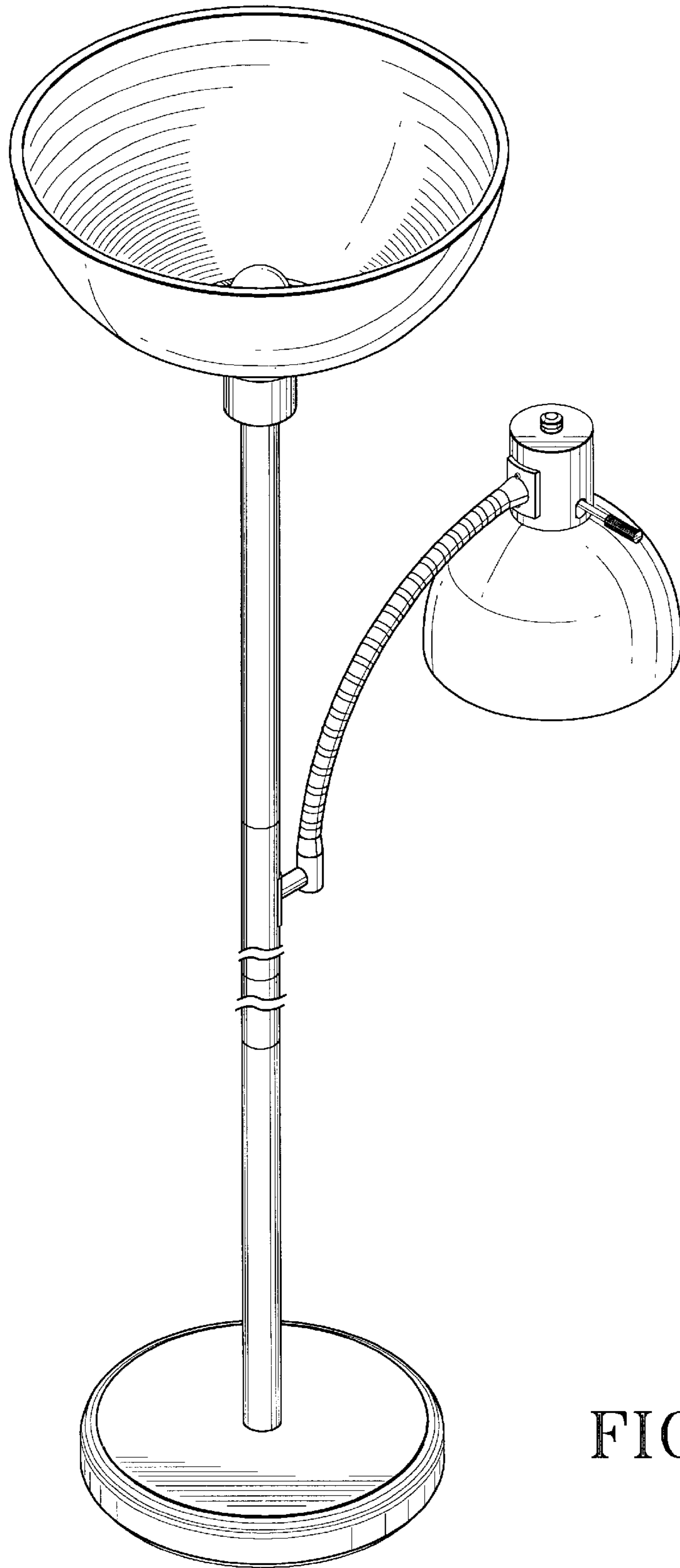


FIG. 1

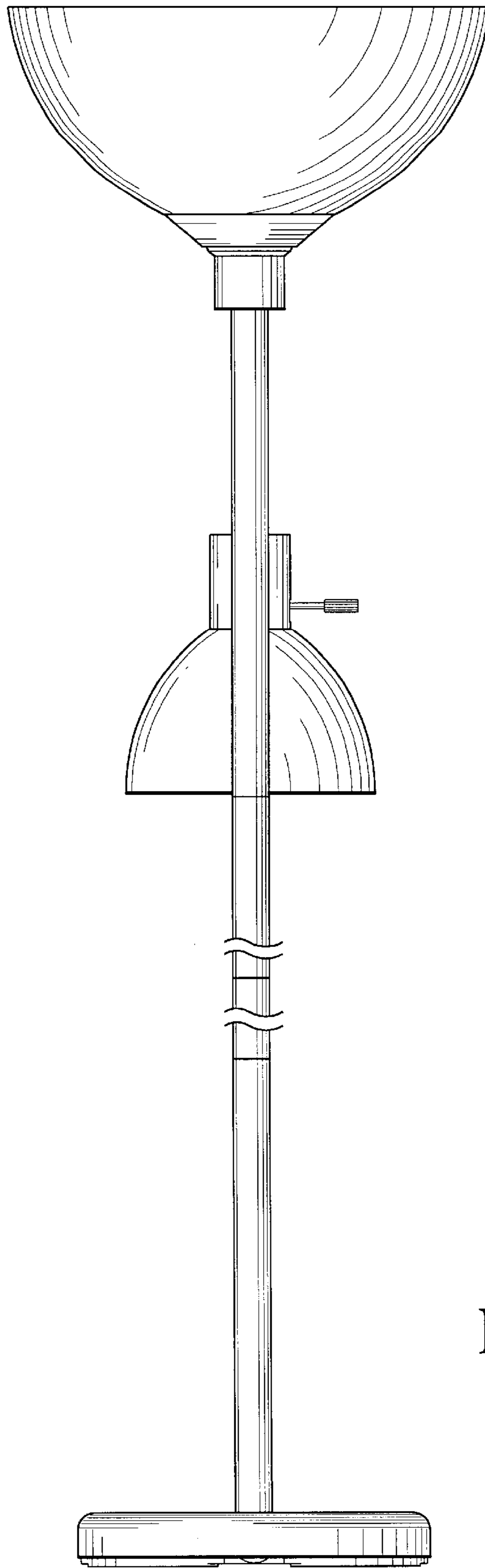


FIG. 2

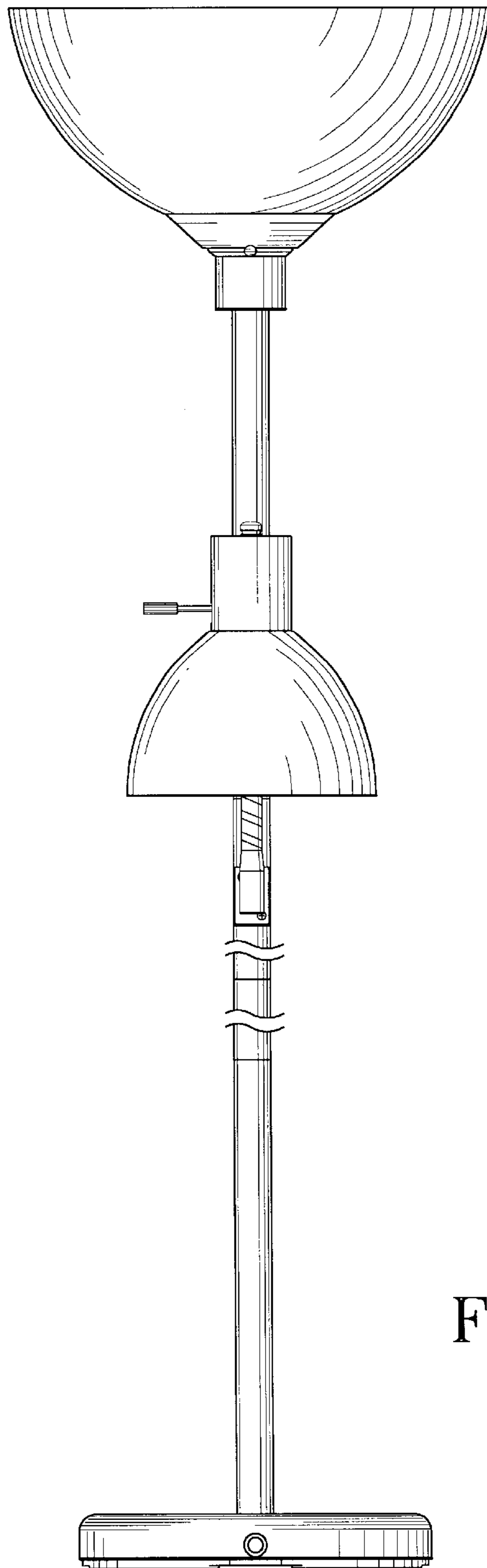


FIG. 3

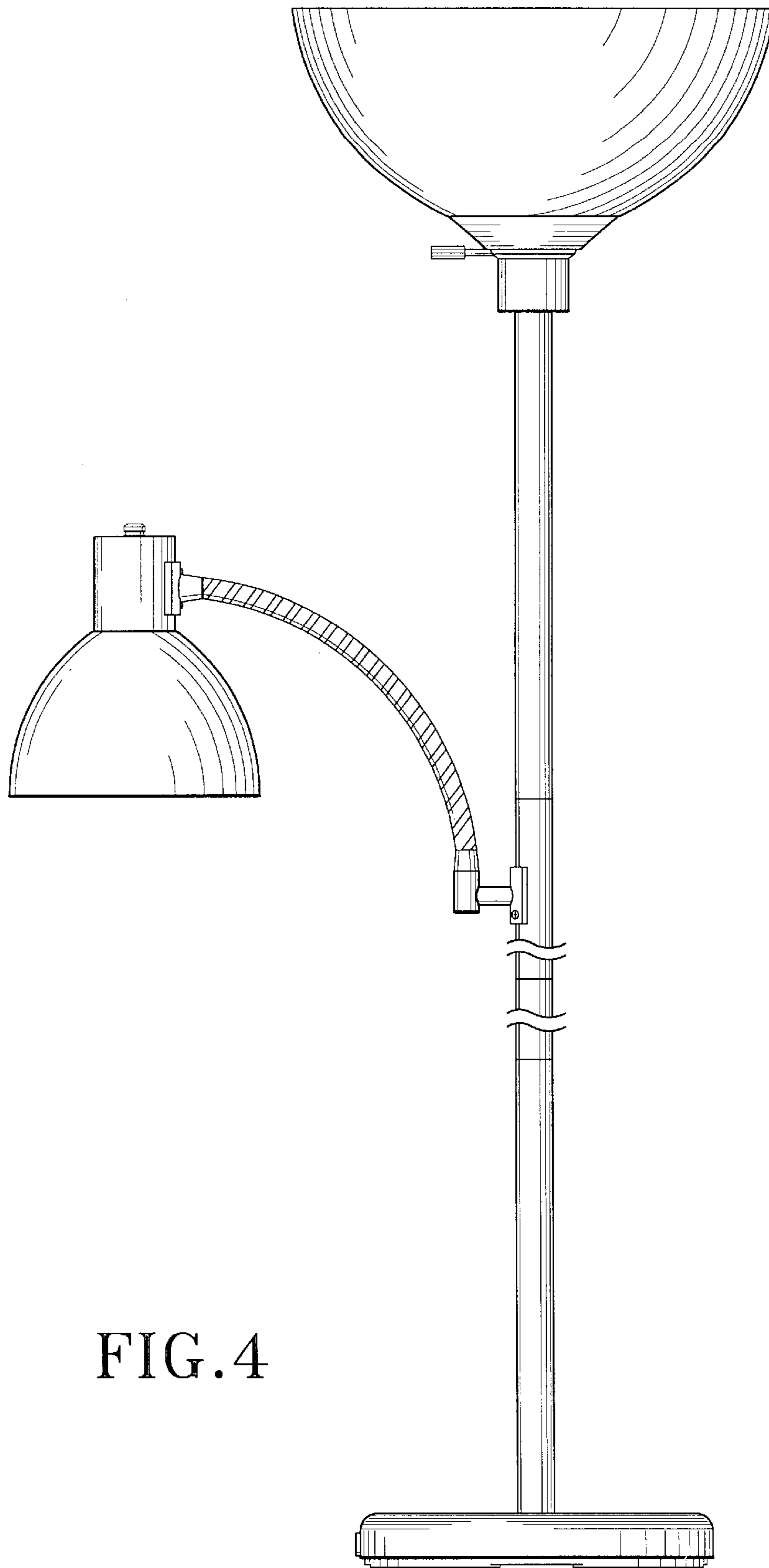


FIG. 4

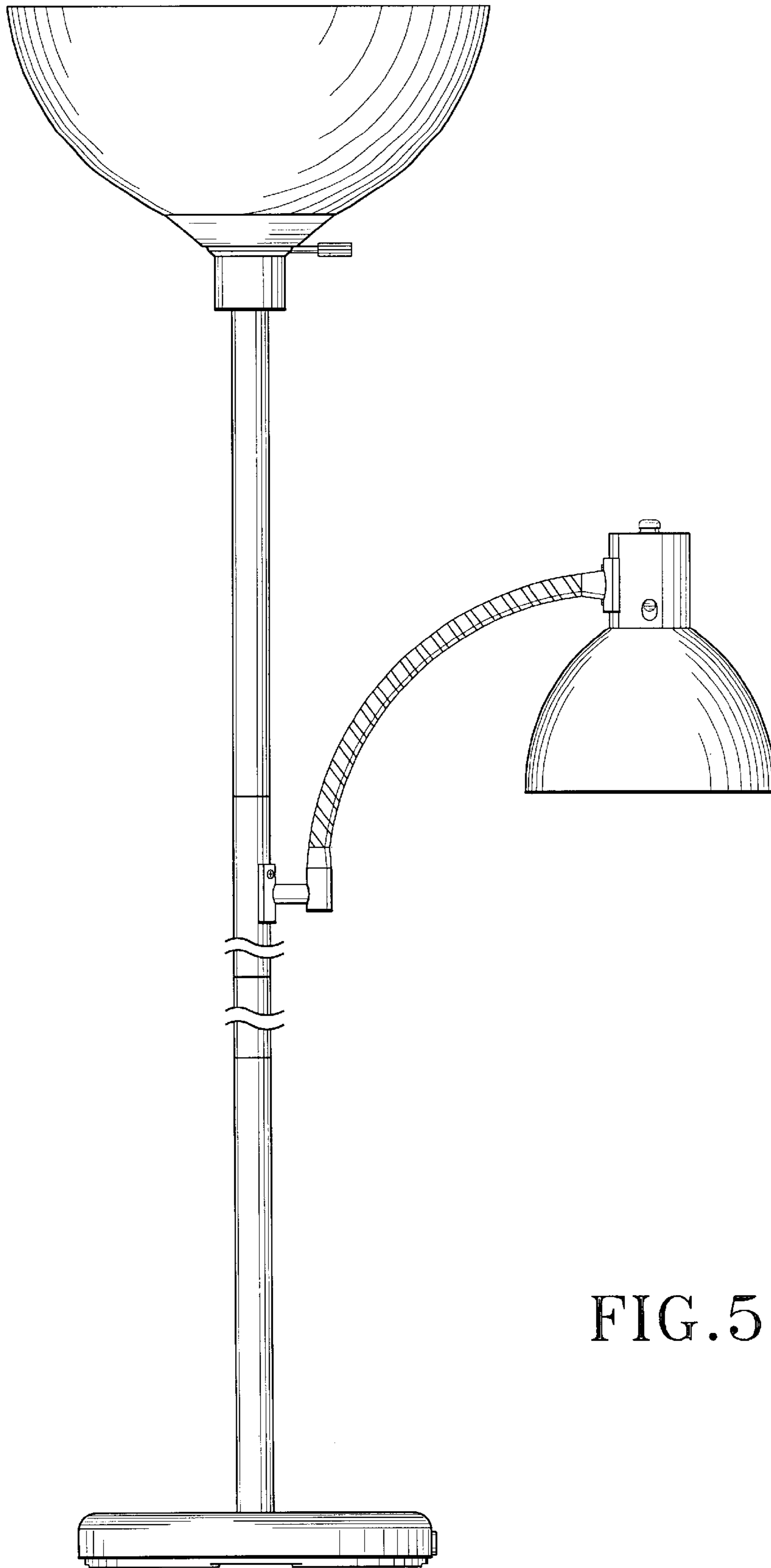


FIG. 5



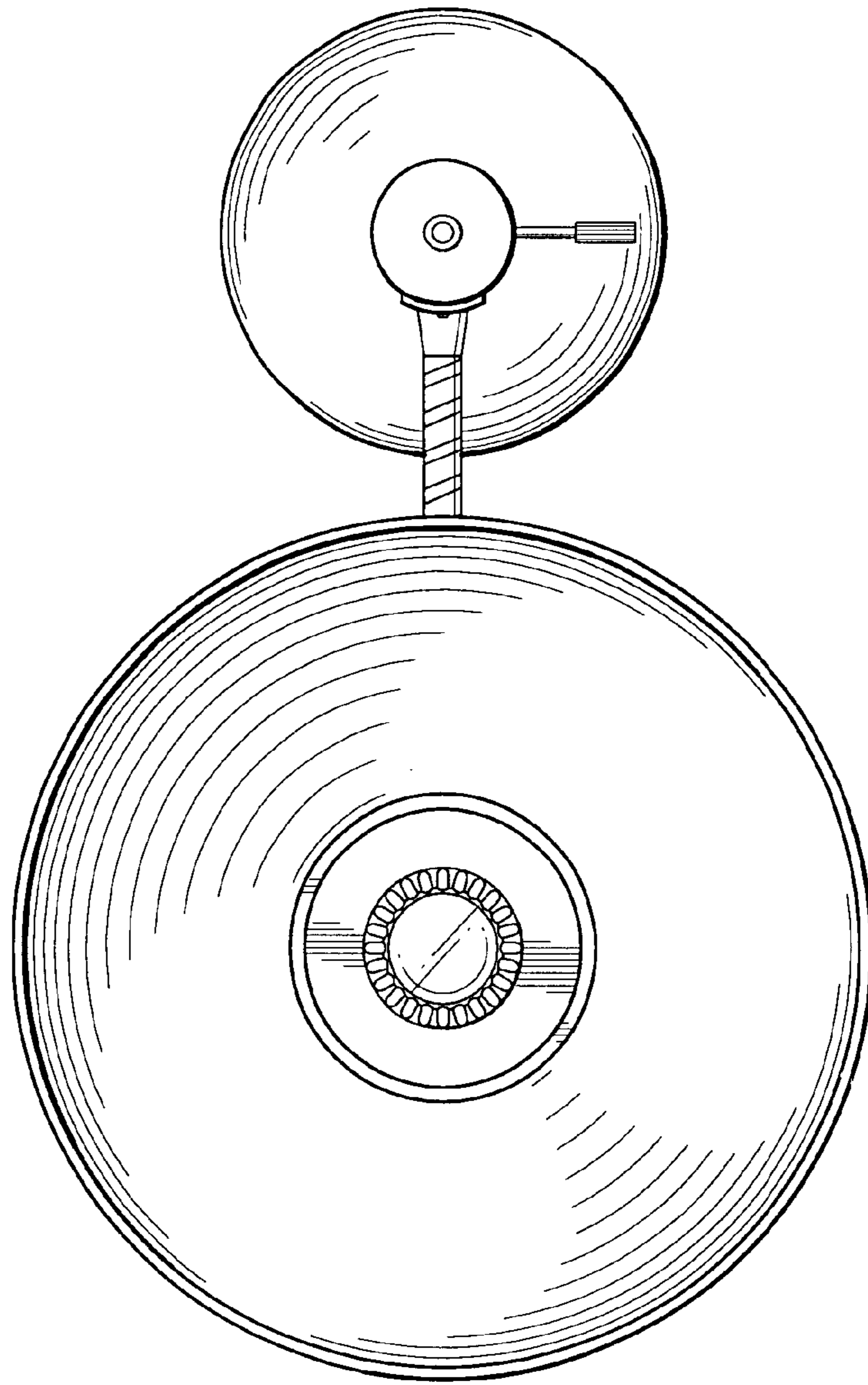


FIG. 6

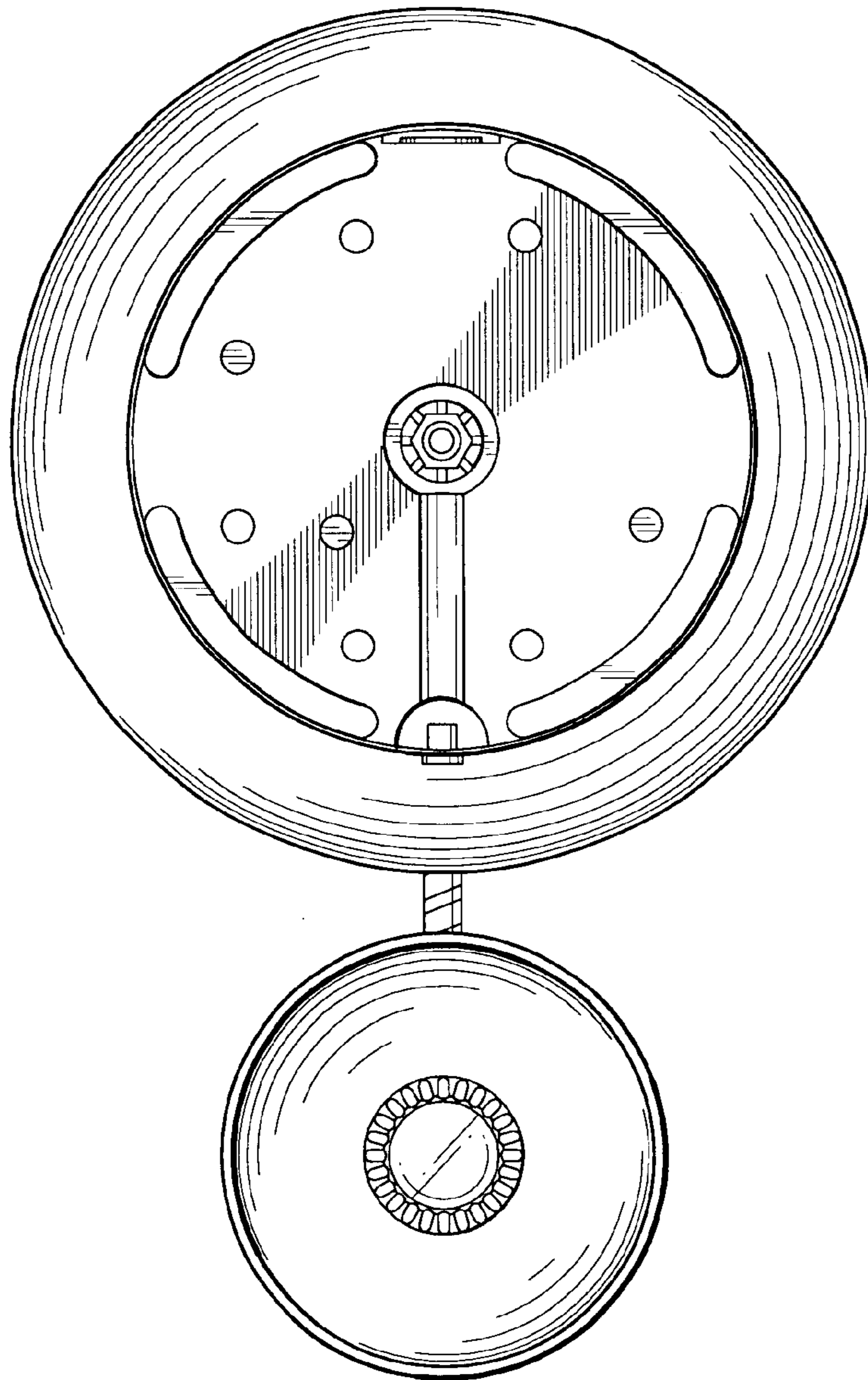


FIG. 7



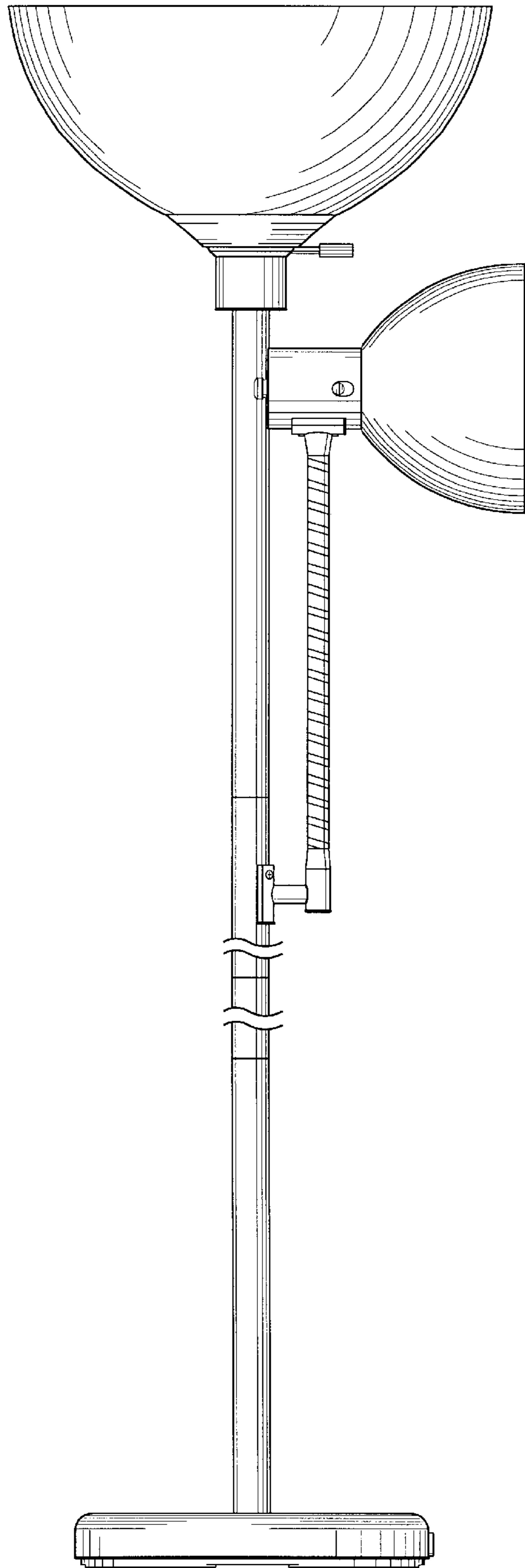


FIG. 8