



US00D484266S

(12) **United States Design Patent**  
**Lin**

(10) **Patent No.:** **US D484,266 S**

(45) **Date of Patent:** **\*\* Dec. 23, 2003**

(54) **RIPPLE-LIGHT LAMP**

(76) Inventor: **Ming-Kuei Lin**, 17F, No. 309, Sec. 2,  
Wen Hua Road, Panchiao, Taipei Hsien  
(TW)

(\*\*) Term: **14 Years**

(21) Appl. No.: **29/168,474**

(22) Filed: **Oct. 3, 2002**

(51) **LOC (7) Cl.** ..... **26-05**

(52) **U.S. Cl.** ..... **D26/61**

(58) **Field of Search** ..... D26/37-50, 61,  
D26/63, 93-112; 362/157, 158, 171, 183-208,  
277-287; D16/221, 225, 229

(56) **References Cited**

**U.S. PATENT DOCUMENTS**

- D282,012 S \* 12/1985 Meelen ..... D26/63
- D291,360 S \* 8/1987 De Vos et al. .... D26/63
- D427,696 S \* 7/2000 Scott et al. .... D26/63 X
- D439,356 S \* 3/2001 Martinson et al. .... D26/63

- D441,108 S \* 4/2001 Poon ..... D26/37
- D443,707 S \* 6/2001 Poon ..... D26/41

\* cited by examiner

*Primary Examiner*—Alan P. Douglas

*Assistant Examiner*—Linda Brooks

(74) *Attorney, Agent, or Firm*—Troxell Law Office PLLC

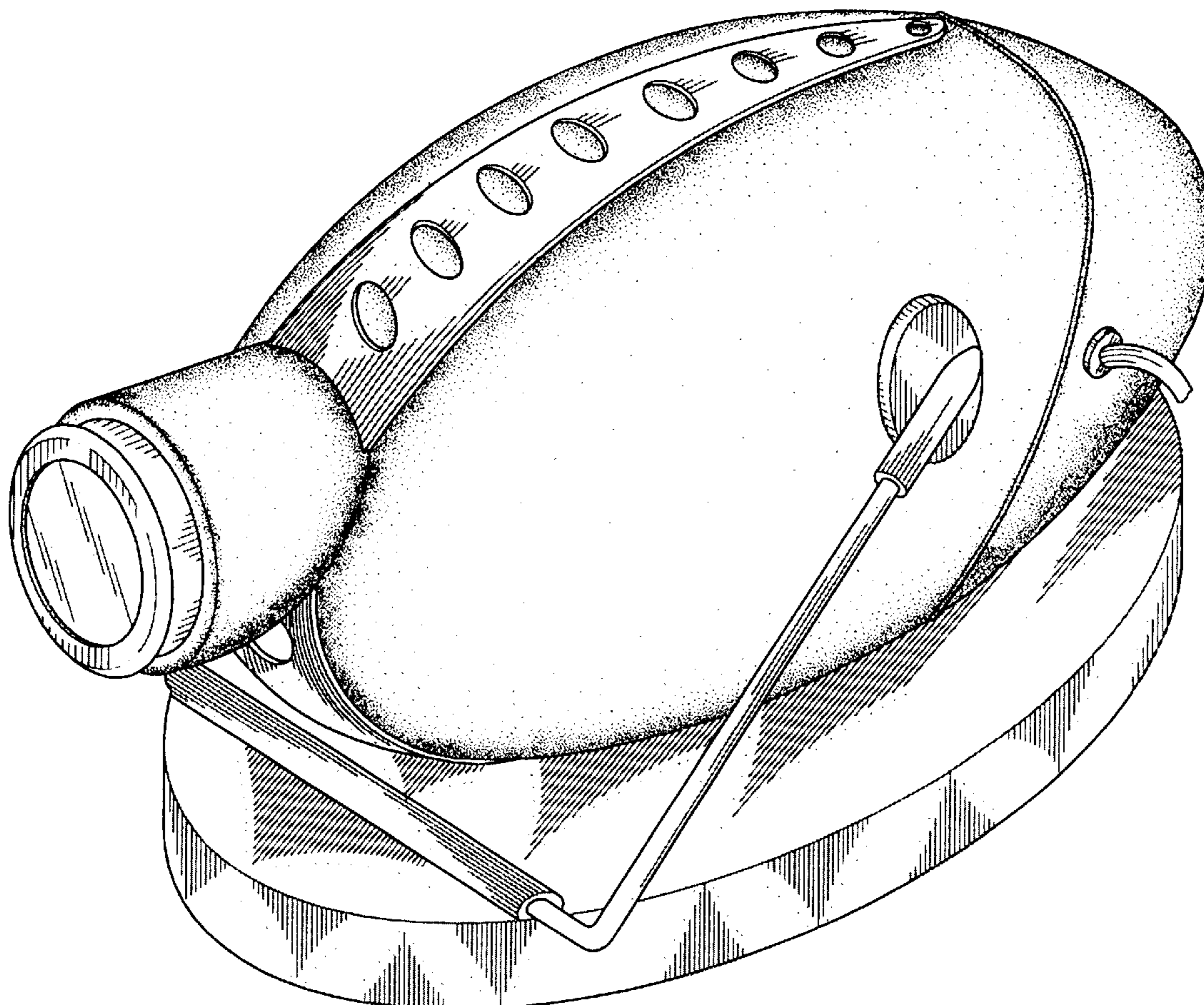
(57) **CLAIM**

The ornamental design for a ripple-light lamp, as shown and described.

**DESCRIPTION**

FIG. 1 is a perspective view of a ripple-light lamp showing my new design;  
 FIG. 2 is a side elevation view thereof;  
 FIG. 3 is a topside elevation view thereof;  
 FIG. 4 is a front elevation view thereof;  
 FIG. 5 is a bottom plan view thereof;  
 FIG. 6 is an elevation view of side opposite to FIG. 2;  
 FIG. 7 is a rear elevation view thereof; and,  
 FIG. 8 is a perspective view thereof in alternate position.

**1 Claim, 8 Drawing Sheets**



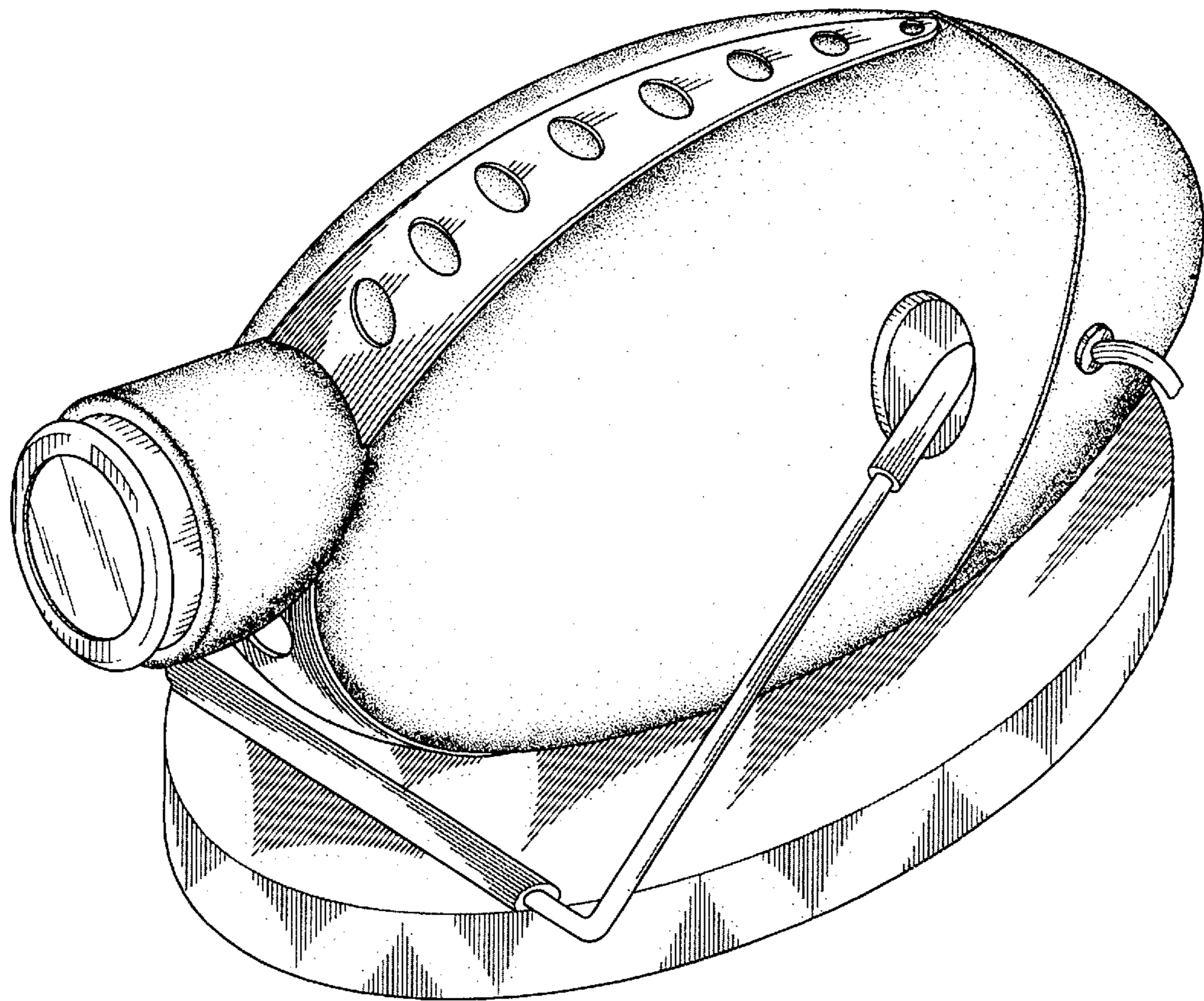


FIG. 1

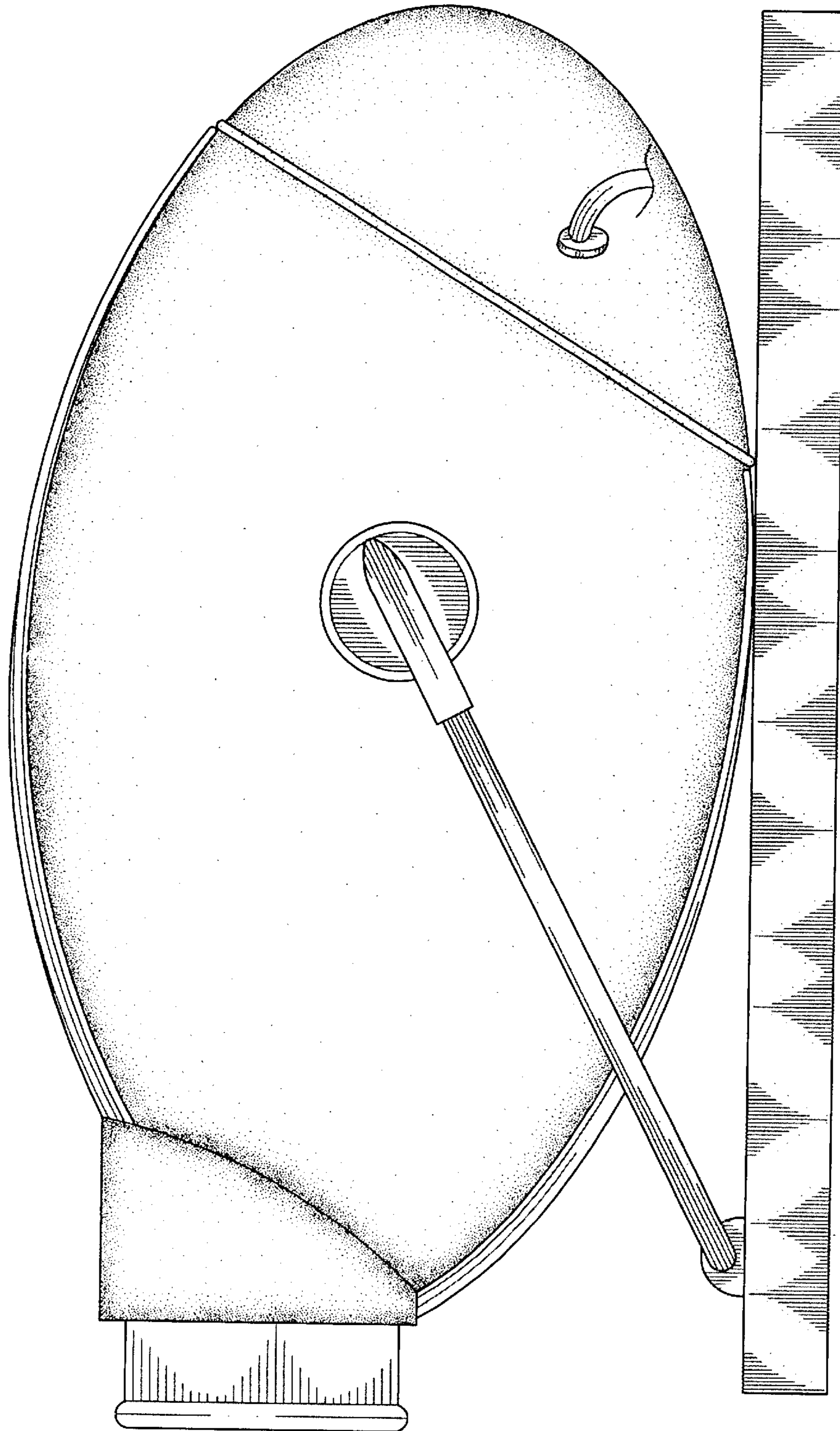


FIG. 2

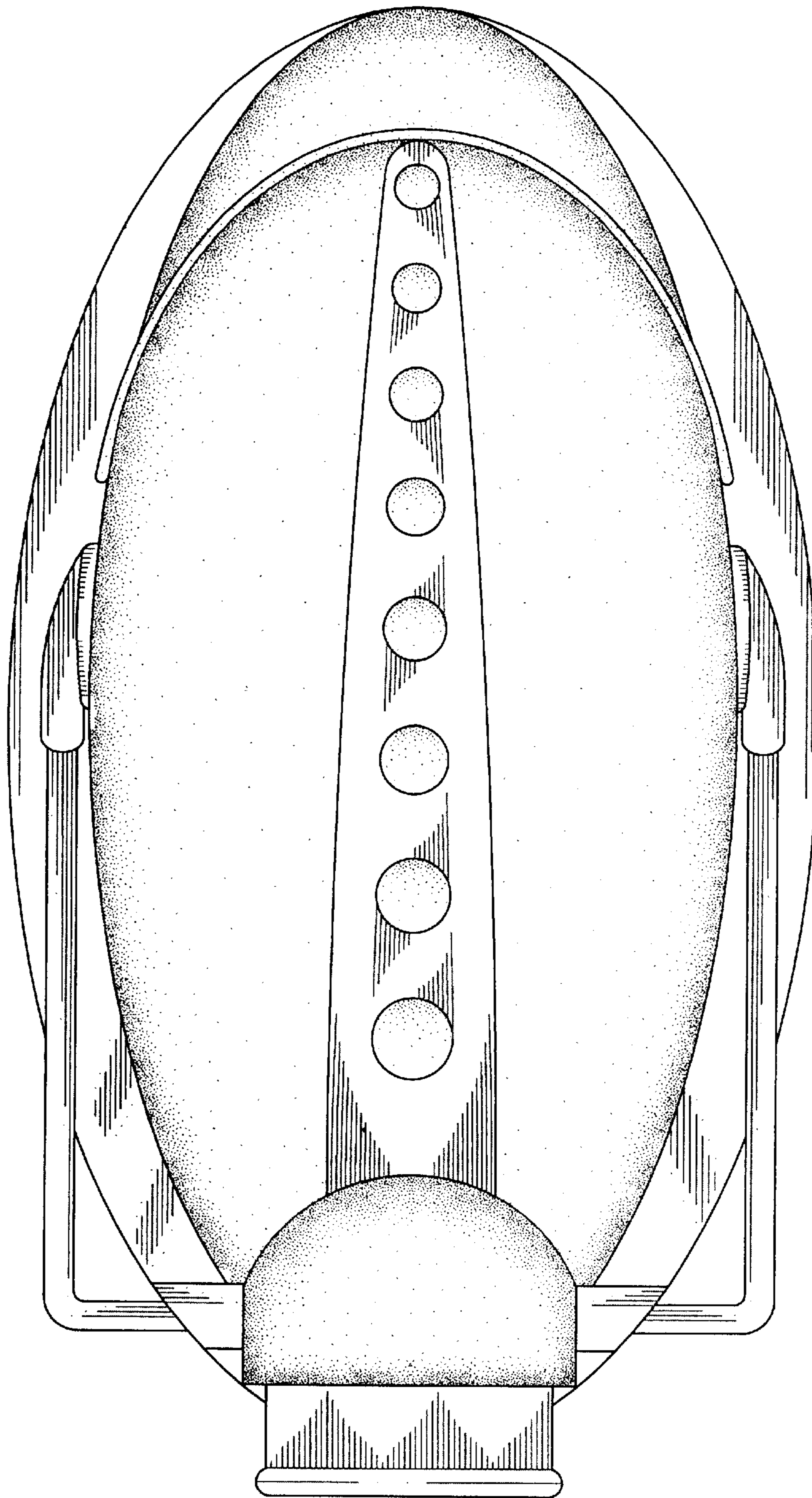


FIG. 3

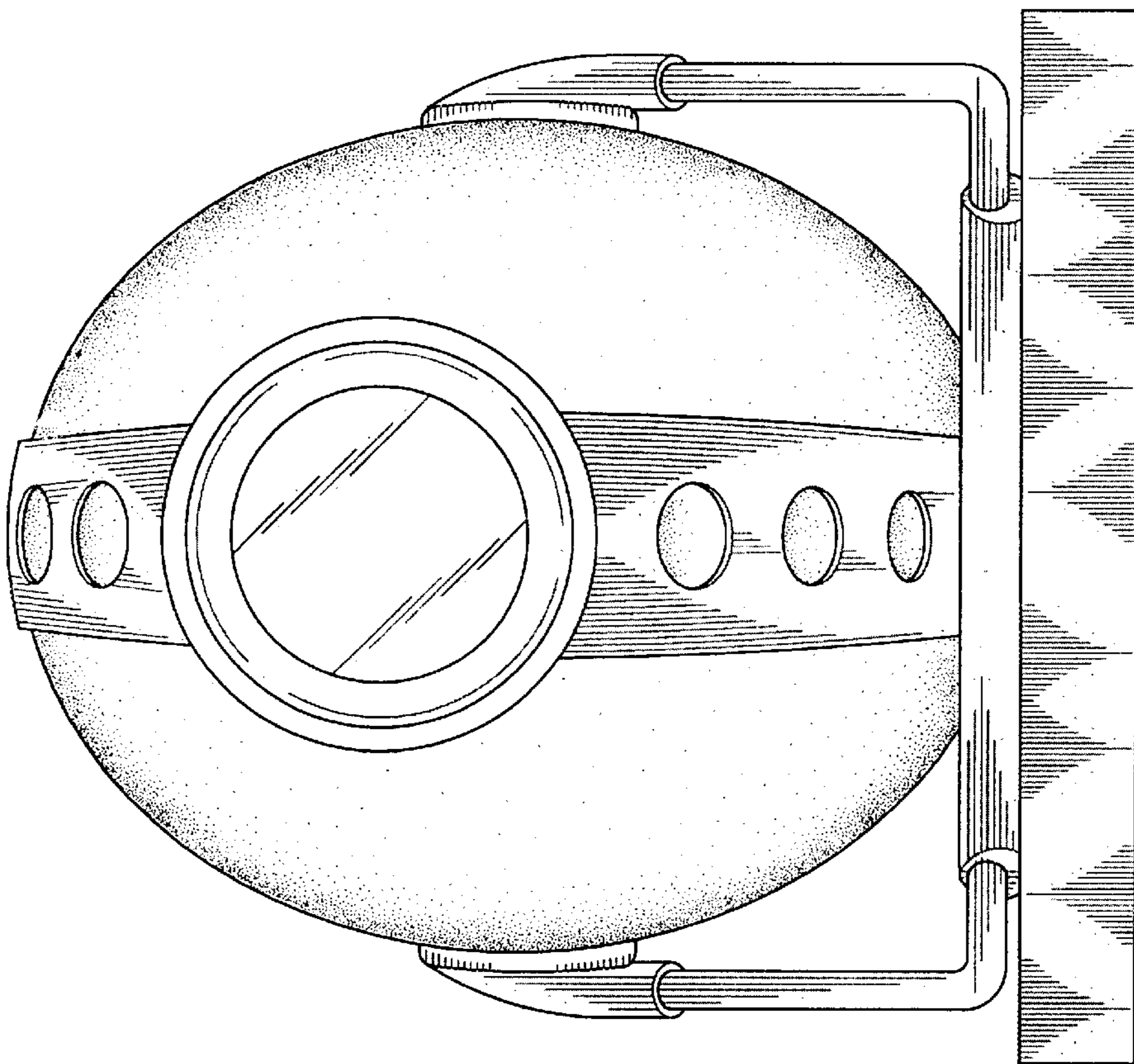


FIG. 4

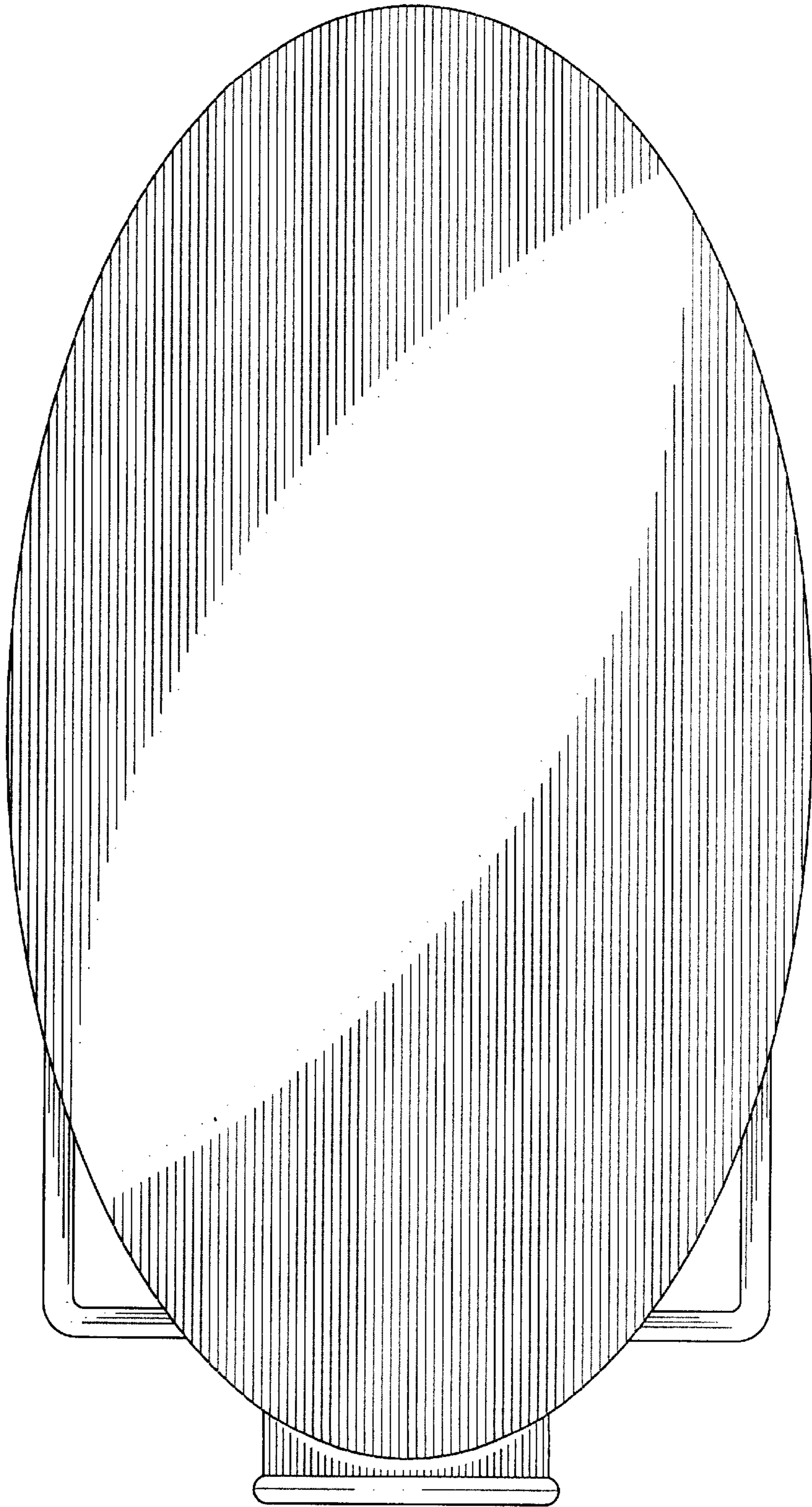


FIG. 5

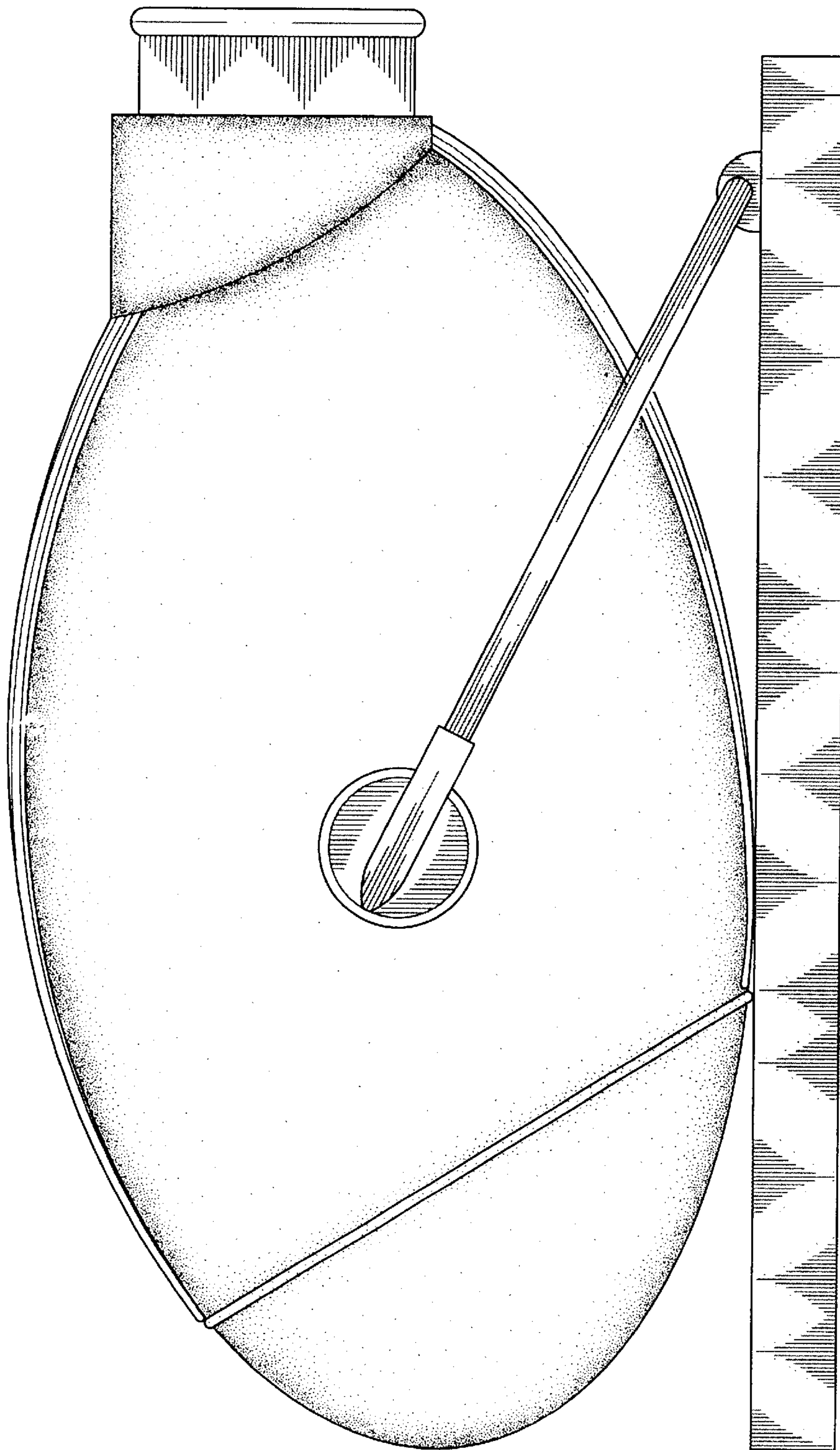


FIG. 6

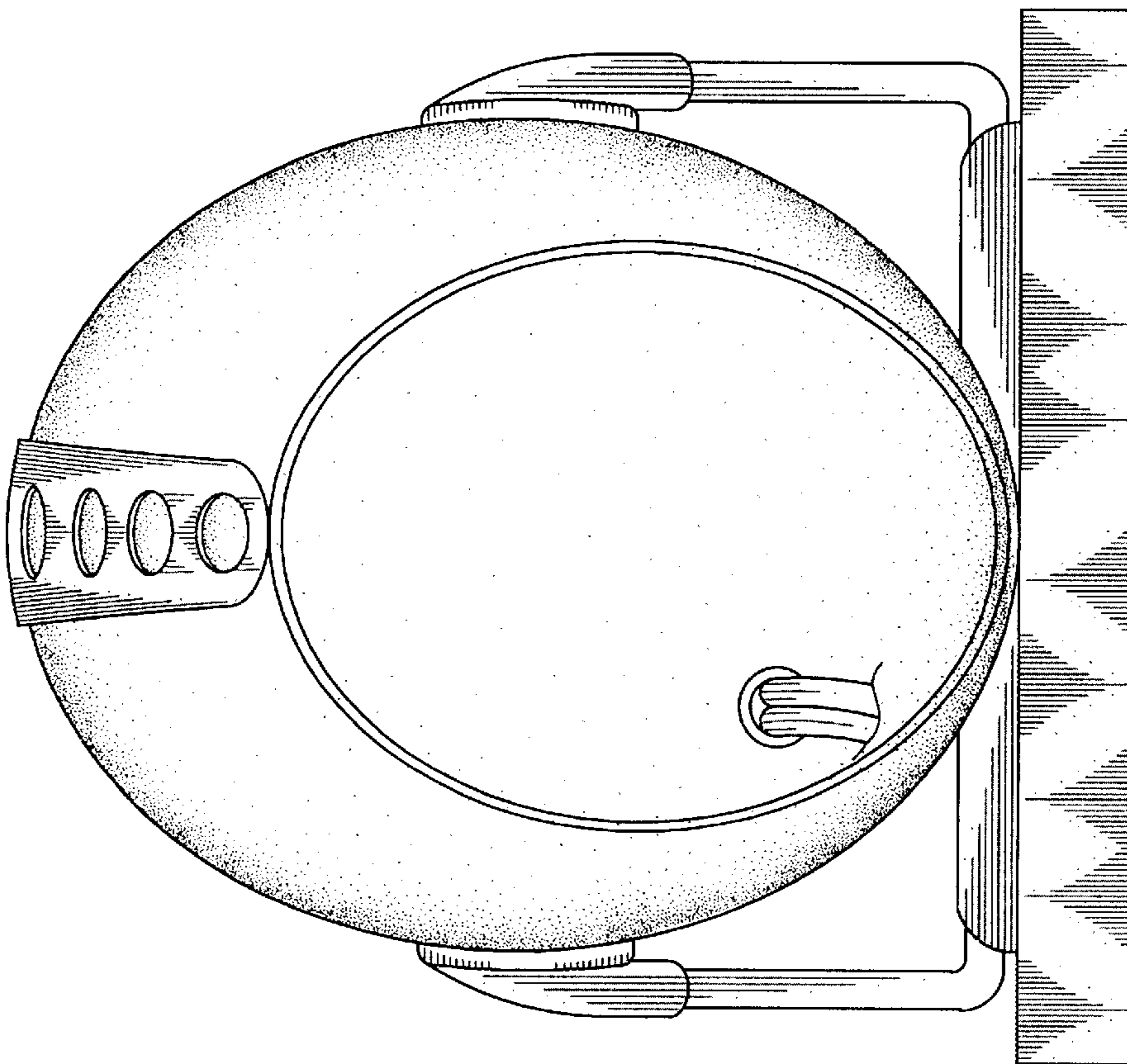


FIG. 7



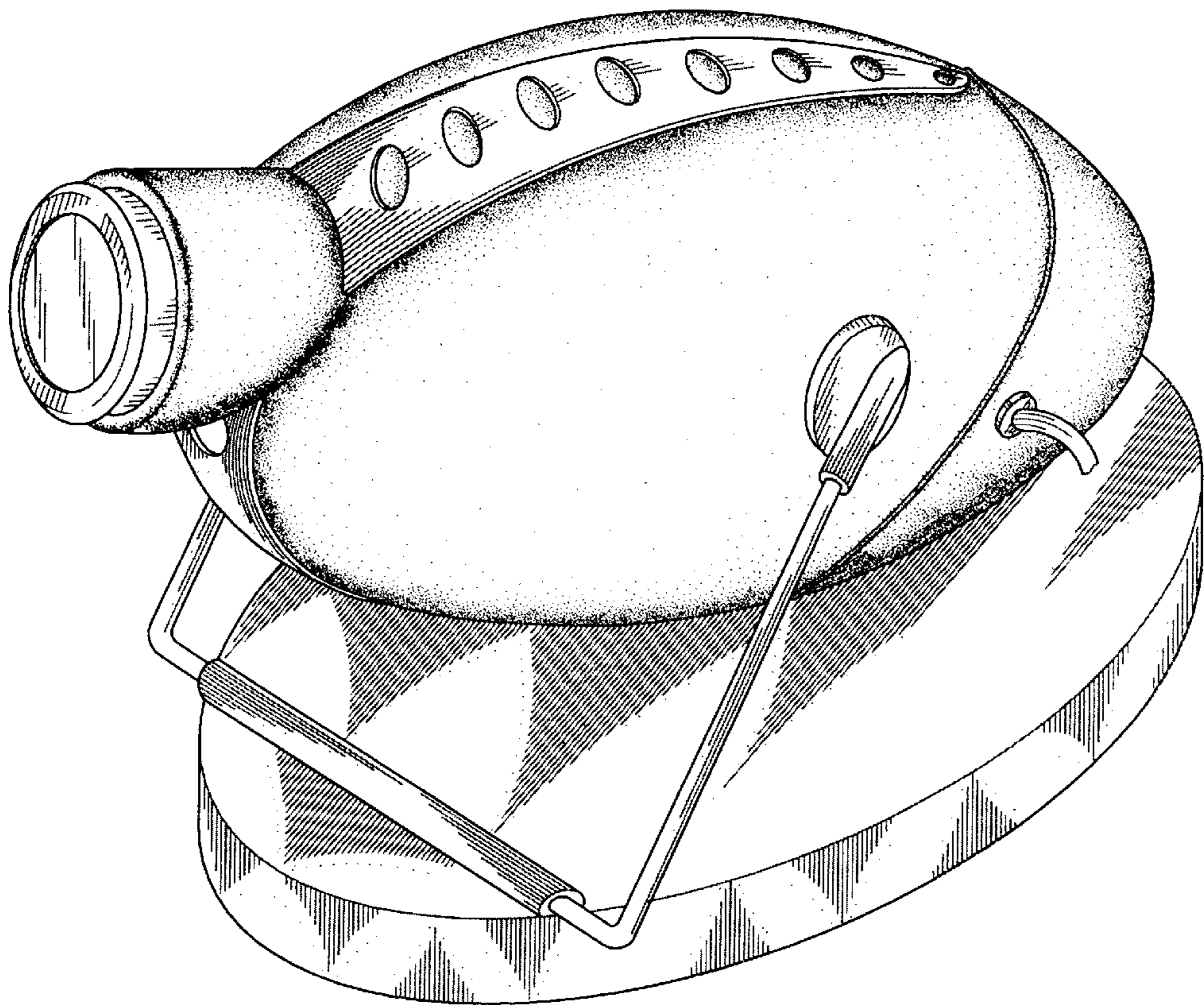


FIG. 8