



US00D484265S

(12) **United States Design Patent**
Bruwer

(10) **Patent No.:** **US D484,265 S**

(45) **Date of Patent:** **** Dec. 23, 2003**

(54) **FLASHLIGHT**

(75) **Inventor:** **Frederick Johannes Bruwer, Paarl (ZA)**

(73) **Assignee:** **Azotec (Pty) Ltd., Paarl (ZA)**

(**) **Term:** **14 Years**

(21) **Appl. No.:** **29/179,033**

(22) **Filed:** **Apr. 4, 2003**

(51) **LOC (7) Cl.** **26-02**

(52) **U.S. Cl.** **D26/37**

(58) **Field of Search** **D26/37-50; 362/157, 362/158, 171, 172, 173, 183-308**

(56) **References Cited**

U.S. PATENT DOCUMENTS

D407,170 S * 3/1999 Yuen D26/37
D476,437 S * 6/2003 Dalton et al. D26/37

* cited by examiner

Primary Examiner—**Marcus A. Jackson**

(74) *Attorney, Agent, or Firm*—**Young & Thompson**

(57) **CLAIM**

The ornamental design for a flashlight, as shown and described.

DESCRIPTION

FIG. 1 is a top perspective view of a first embodiment of the flashlight of the invention;
FIG. 2 is a top plan view;
FIG. 3 is a bottom plan view;
FIG. 4 is a right side elevation view;
FIG. 5 is a left side elevation view;
FIG. 6 is a back end view;
FIG. 7 is a front end view;
FIG. 8 is a top perspective view of a second embodiment of the flashlight of the invention;
FIG. 9 is a top plan view;
FIG. 10 is a bottom plan view;
FIG. 11 is a right side elevation view;
FIG. 12 is a left side elevation view;
FIG. 13 is a back end view; and
FIG. 14 is a front end view.

The broken line disclosure of unclaimed environmental structure shown in the drawings is for illustrative purposes only and does not constitute a part of the claimed design.

1 Claim, 4 Drawing Sheets

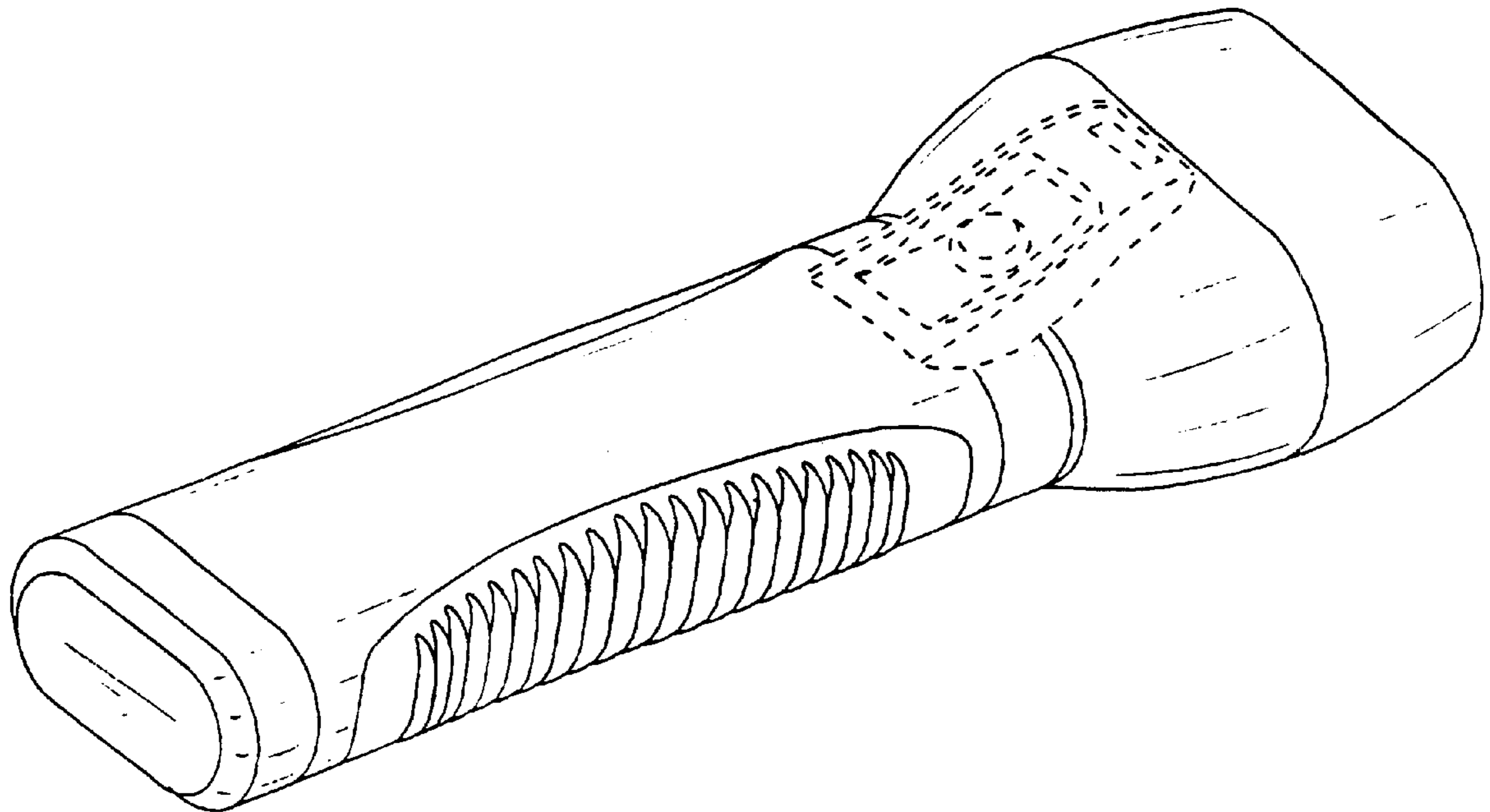


FIG. 1

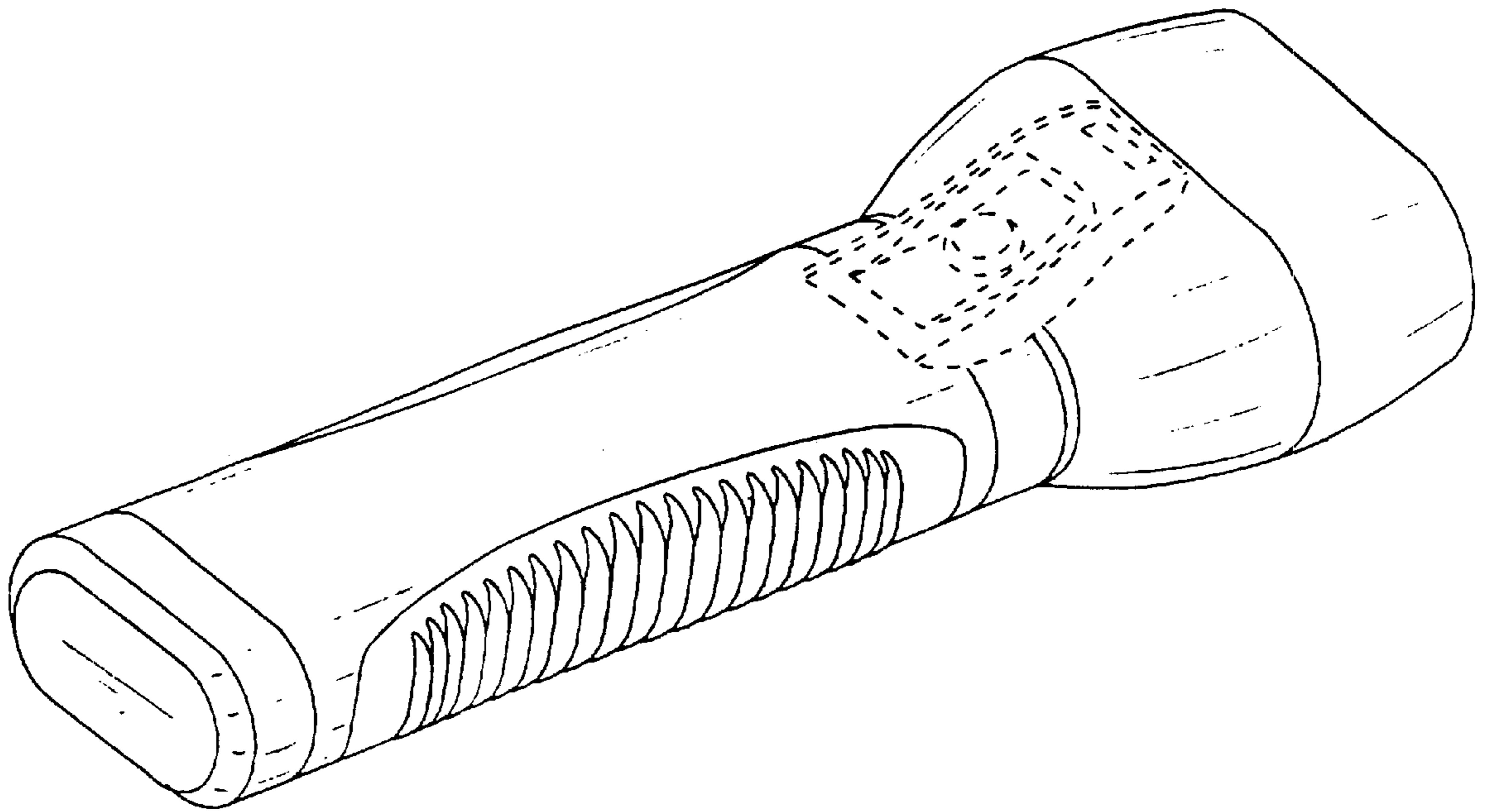


FIG. 2

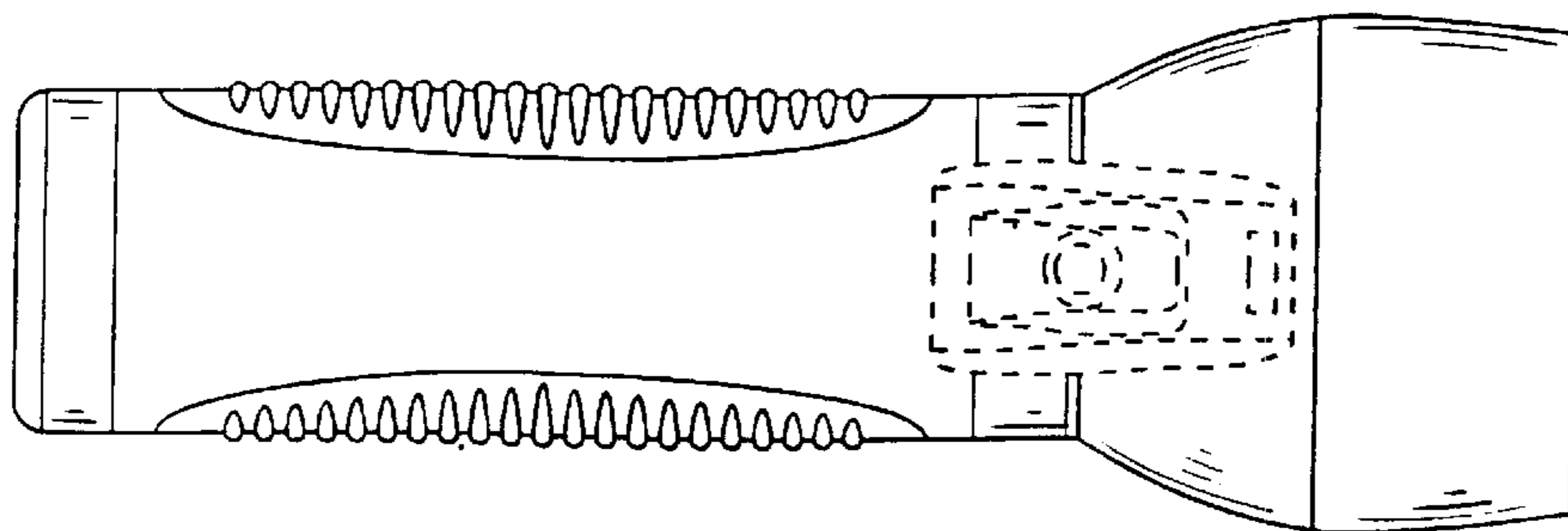


FIG. 3

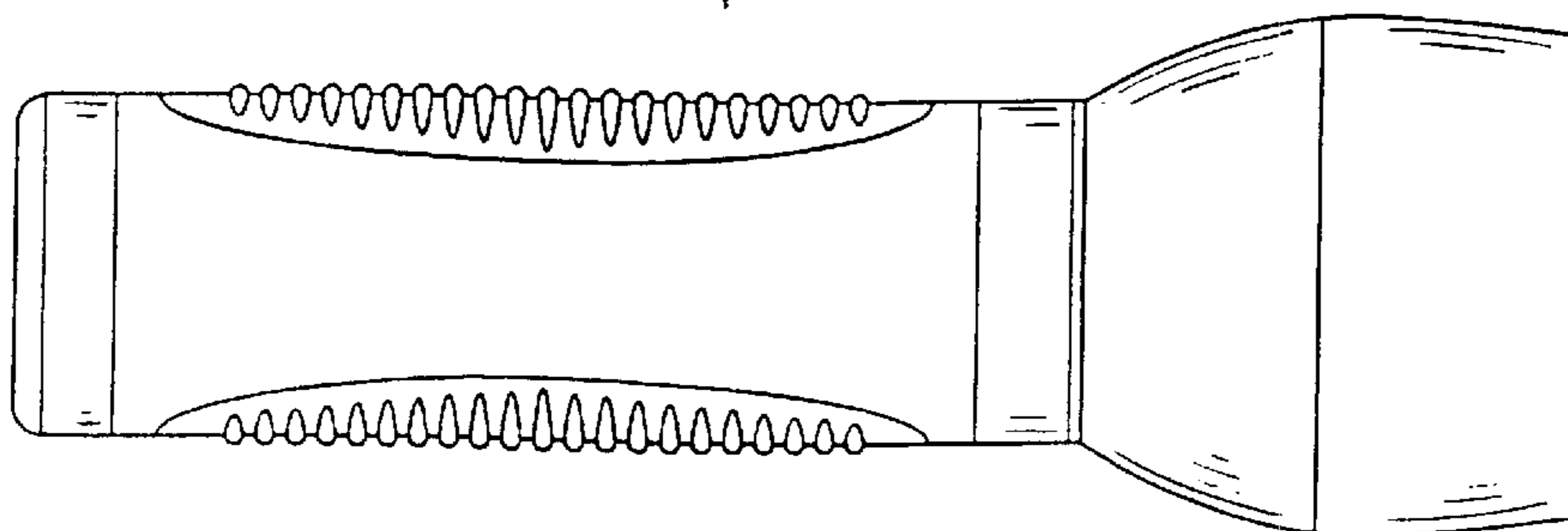


FIG. 4

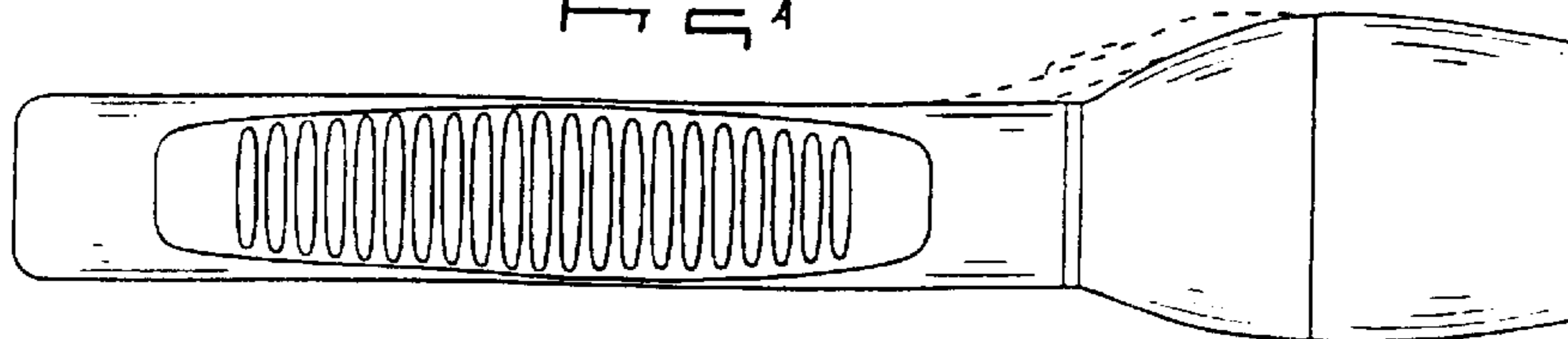


FIG. 5

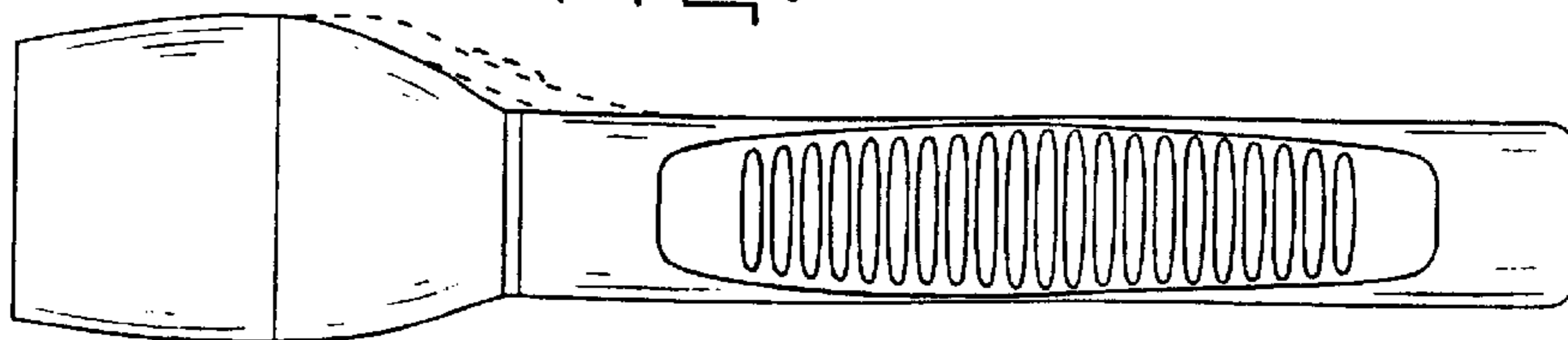


FIG. 6

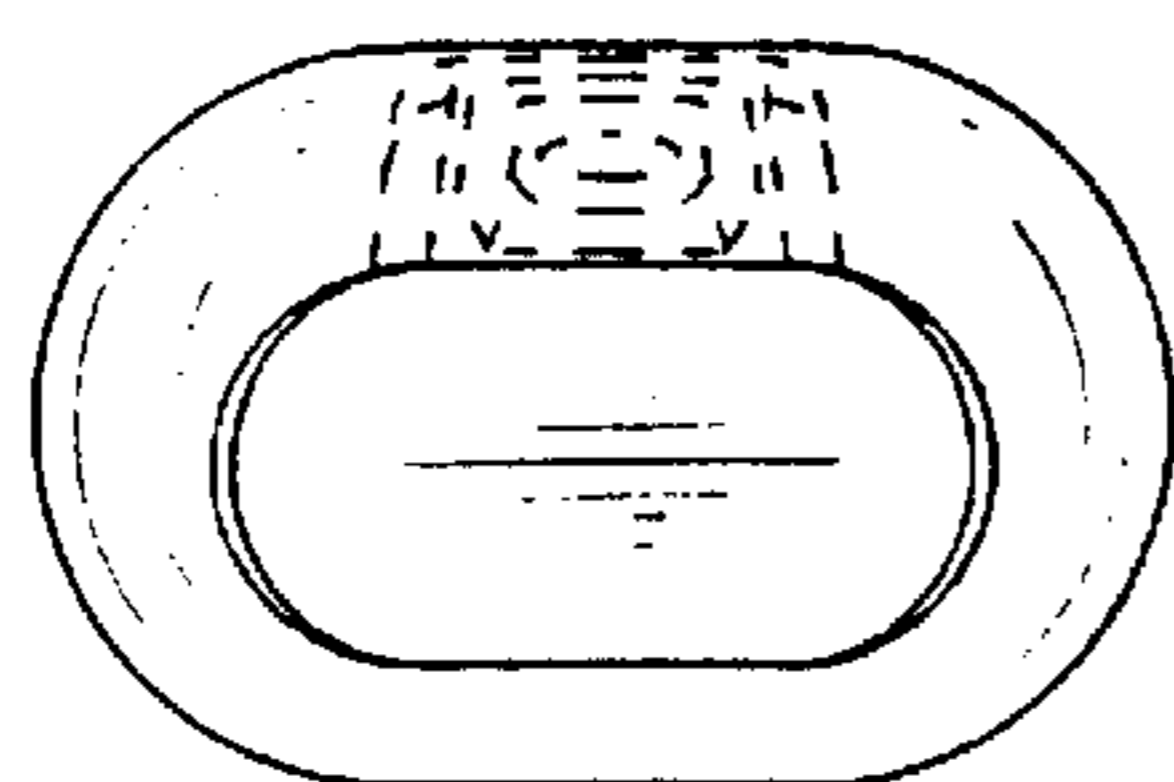


FIG. 7

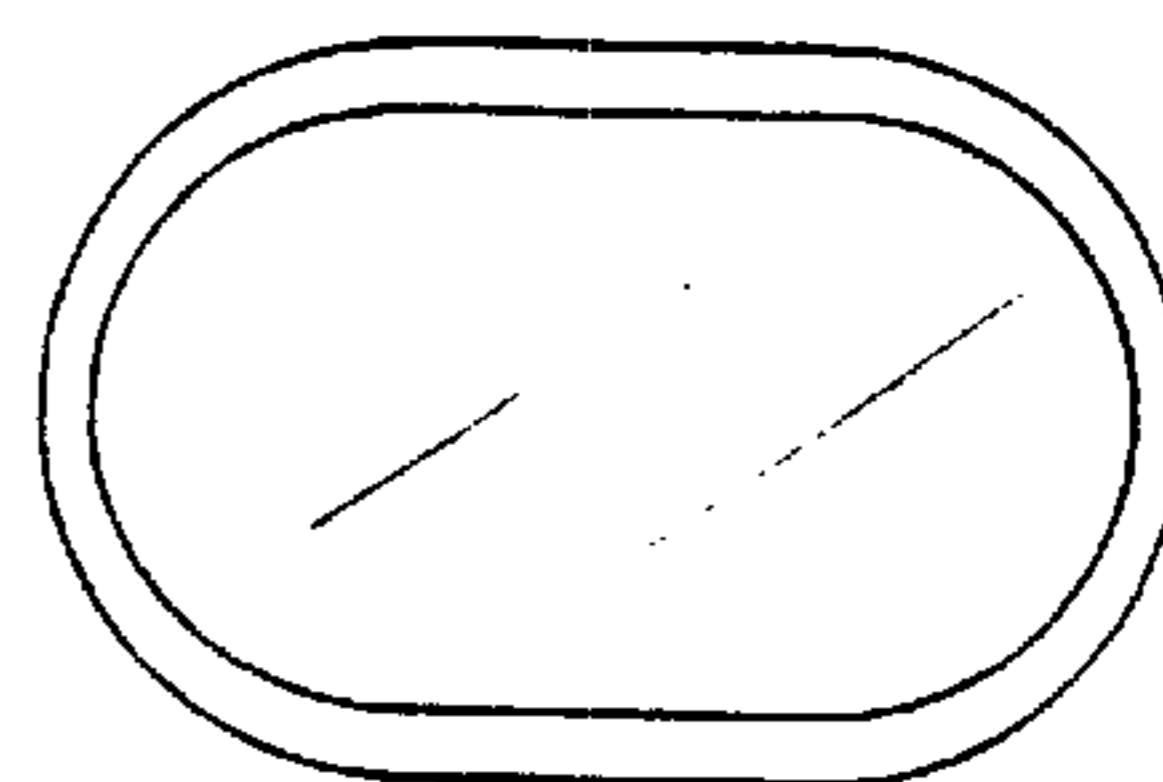


FIG. 3

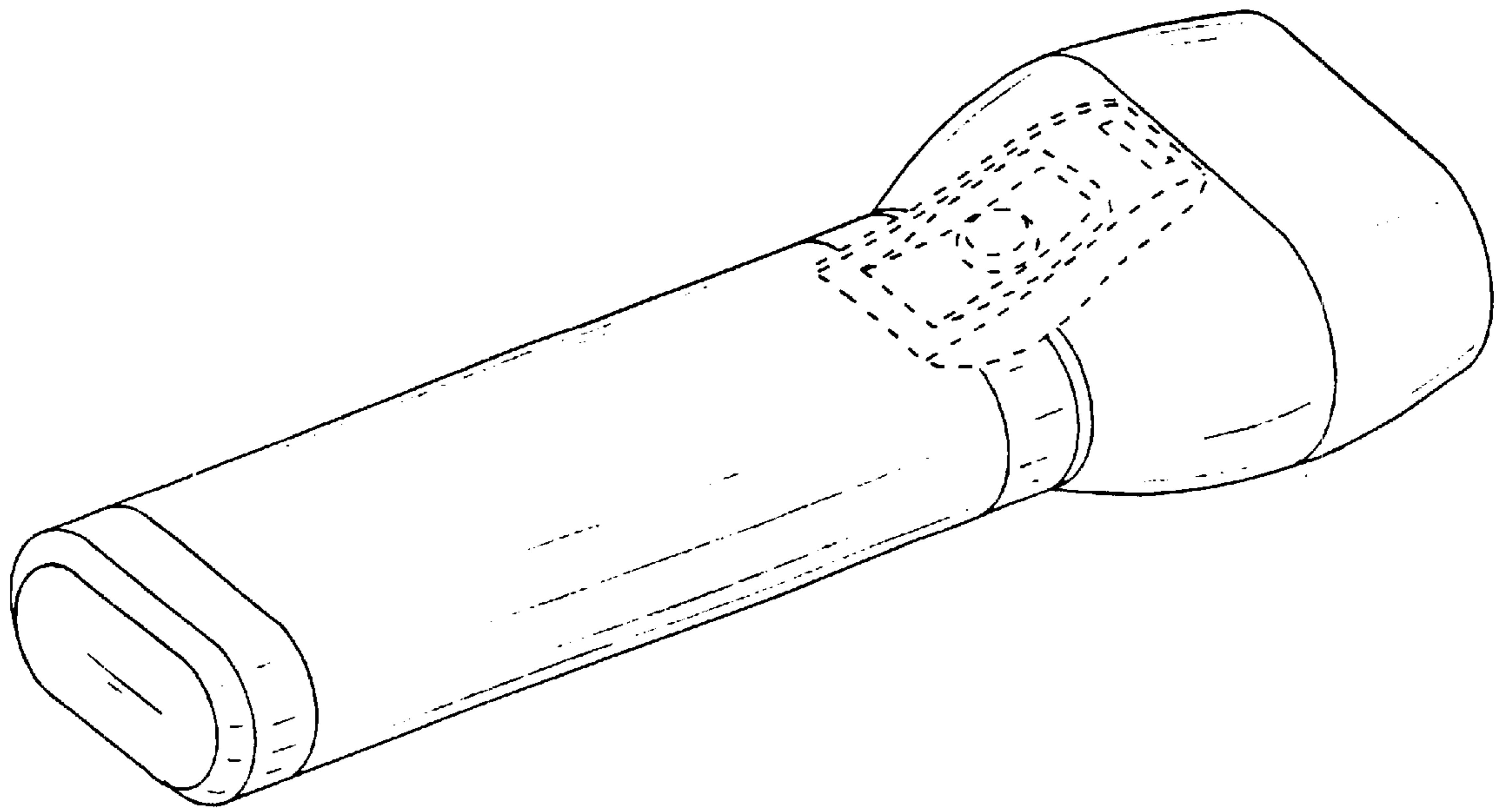


FIG 9

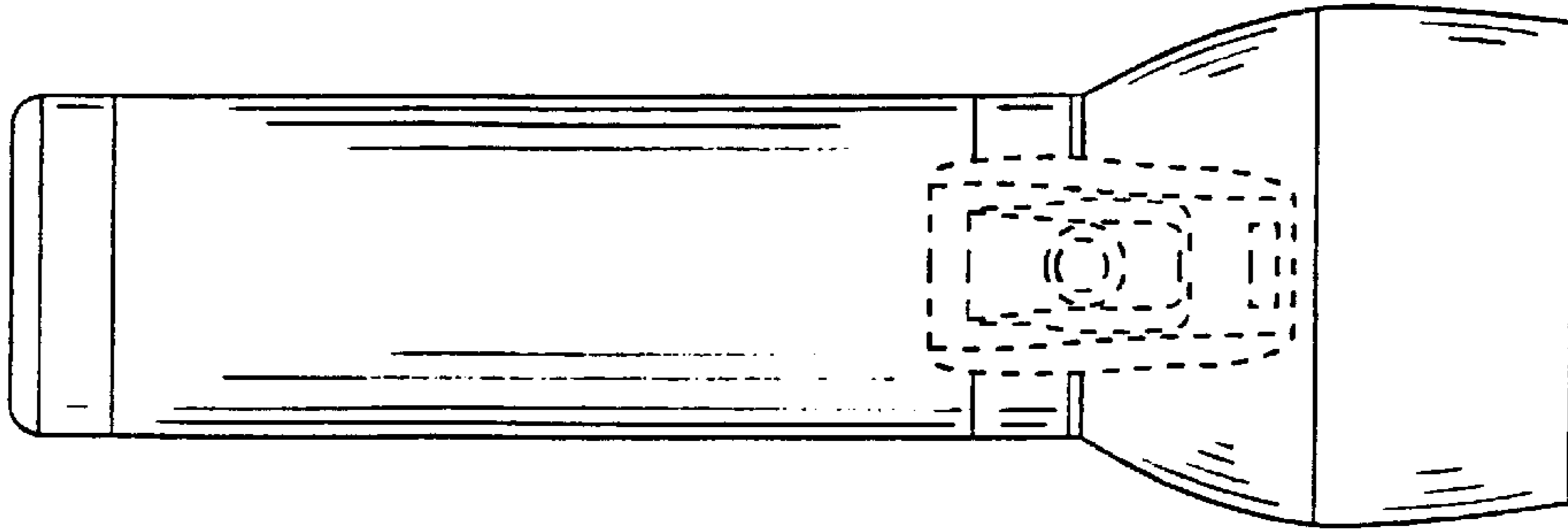


FIG 10

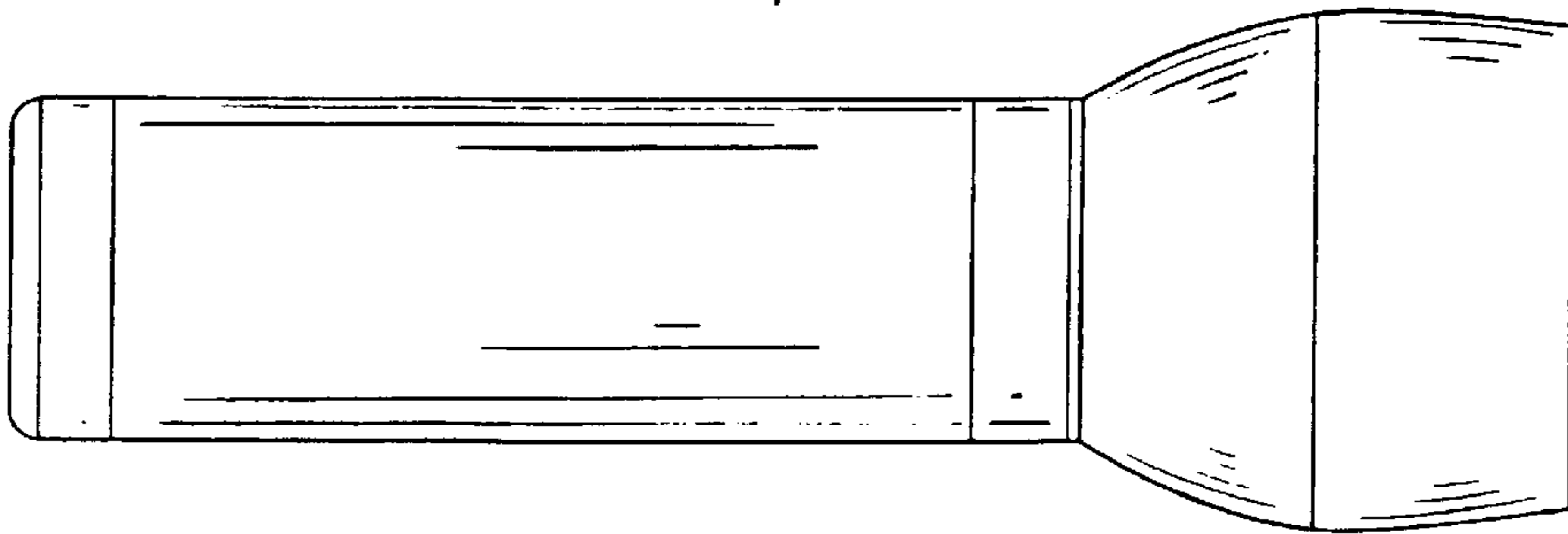


FIG 11

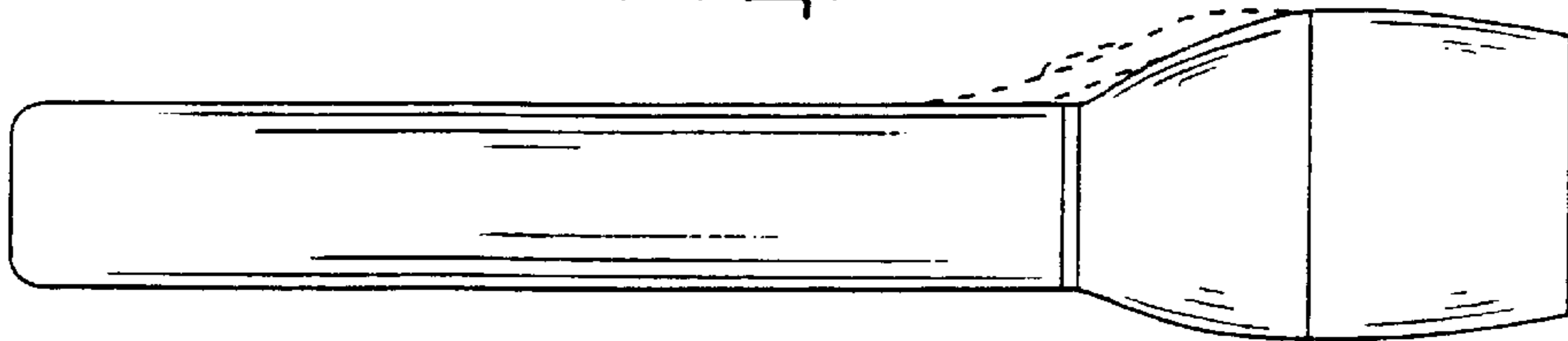


FIG 12

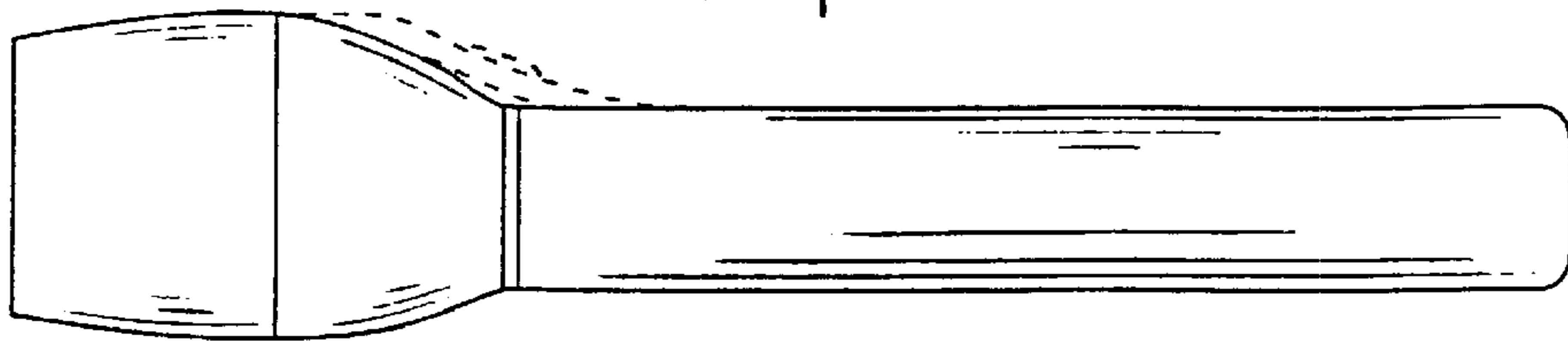


FIG 13

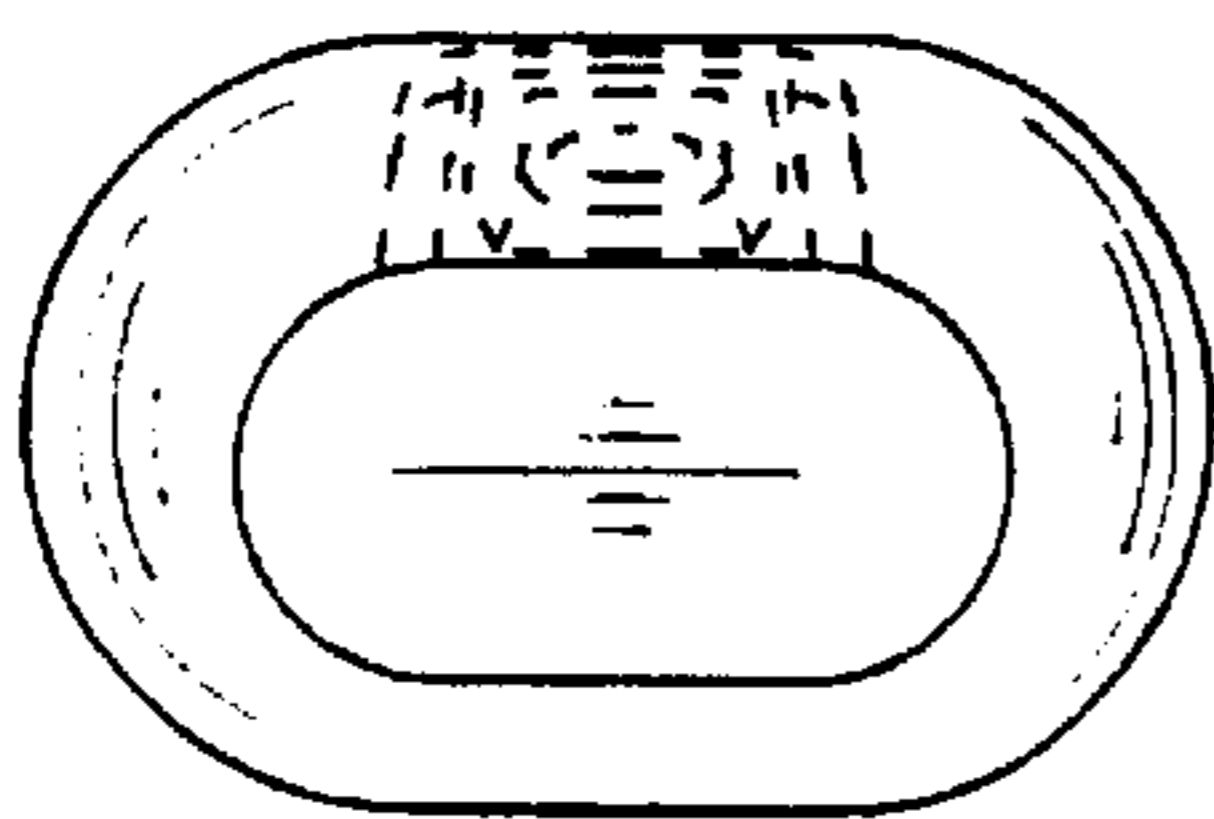


FIG 14

