



US00D484261S

(12) **United States Design Patent**
Liao

(10) **Patent No.:** **US D484,261 S**

(45) **Date of Patent:** **** Dec. 23, 2003**

(54) **AUTOMOBILE LIGHT**

D477,100 S * 7/2003 Lin D26/28

(75) Inventor: **Feng-Chih Liao**, Tainan (TW)

* cited by examiner

(73) Assignee: **TYC Brother Industrial Co., Ltd.**,
Tainan (TW)

Primary Examiner—Marcus A. Jackson

(74) *Attorney, Agent, or Firm*—Fitzpatrick, Cella, Harper &
Scinto

(**) Term: **14 Years**

(57) **CLAIM**

(21) Appl. No.: **29/178,421**

The ornamental design for automobile light, as shown and
described.

(22) Filed: **Mar. 27, 2003**

DESCRIPTION

(51) **LOC (7) Cl.** **26-06**

FIG. 1 is a perspective view of automobile light showing the
new design;

(52) **U.S. Cl.** **D26/28**

FIG. 2 is a front elevational view thereof;

(58) **Field of Search** D26/28–36; 362/61,
362/80, 81, 82, 83, 83.3, 267, 269, 330–340

FIG. 3 is a rear elevational view thereof;

FIG. 4 is a left side elevational view thereof;

FIG. 5 is a right side elevational view thereof;

FIG. 6 is a top plan view thereof; and,

FIG. 7 is a bottom plan view thereof.

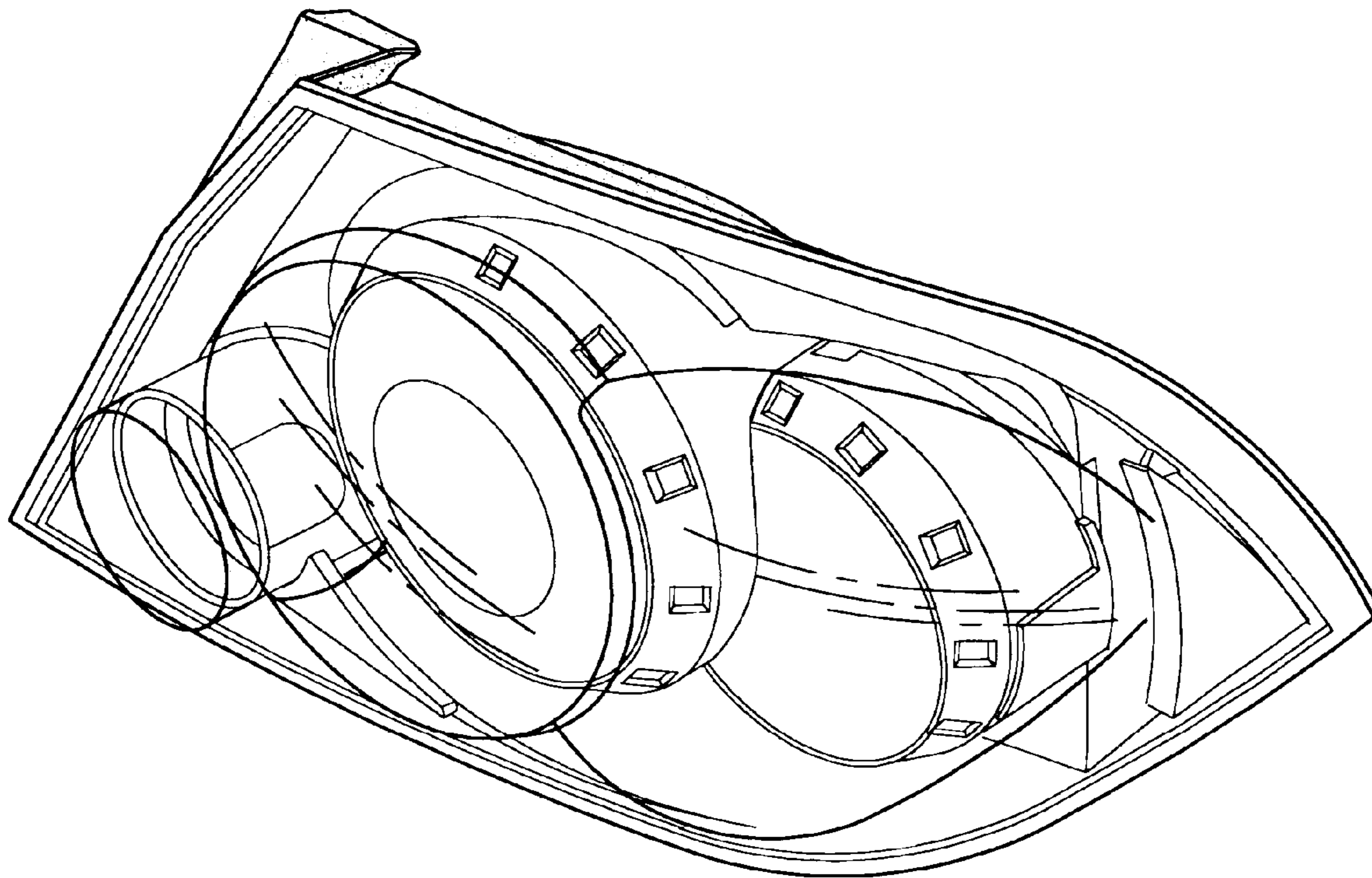
(56) **References Cited**

U.S. PATENT DOCUMENTS

D457,258 S * 5/2002 Horowitz D26/28

D477,099 S * 7/2003 Lin D26/28

1 Claim, 4 Drawing Sheets



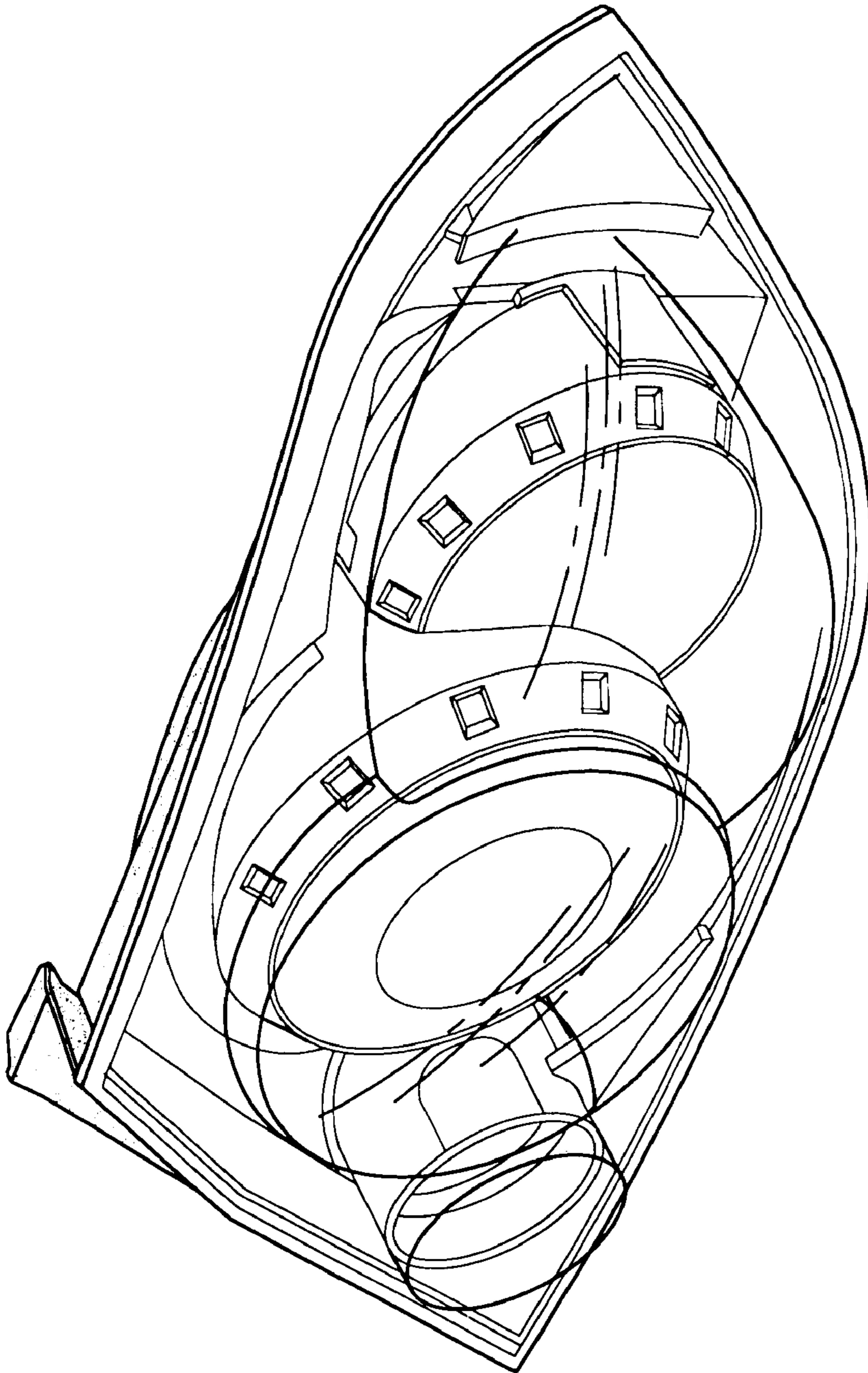


FIG. 1

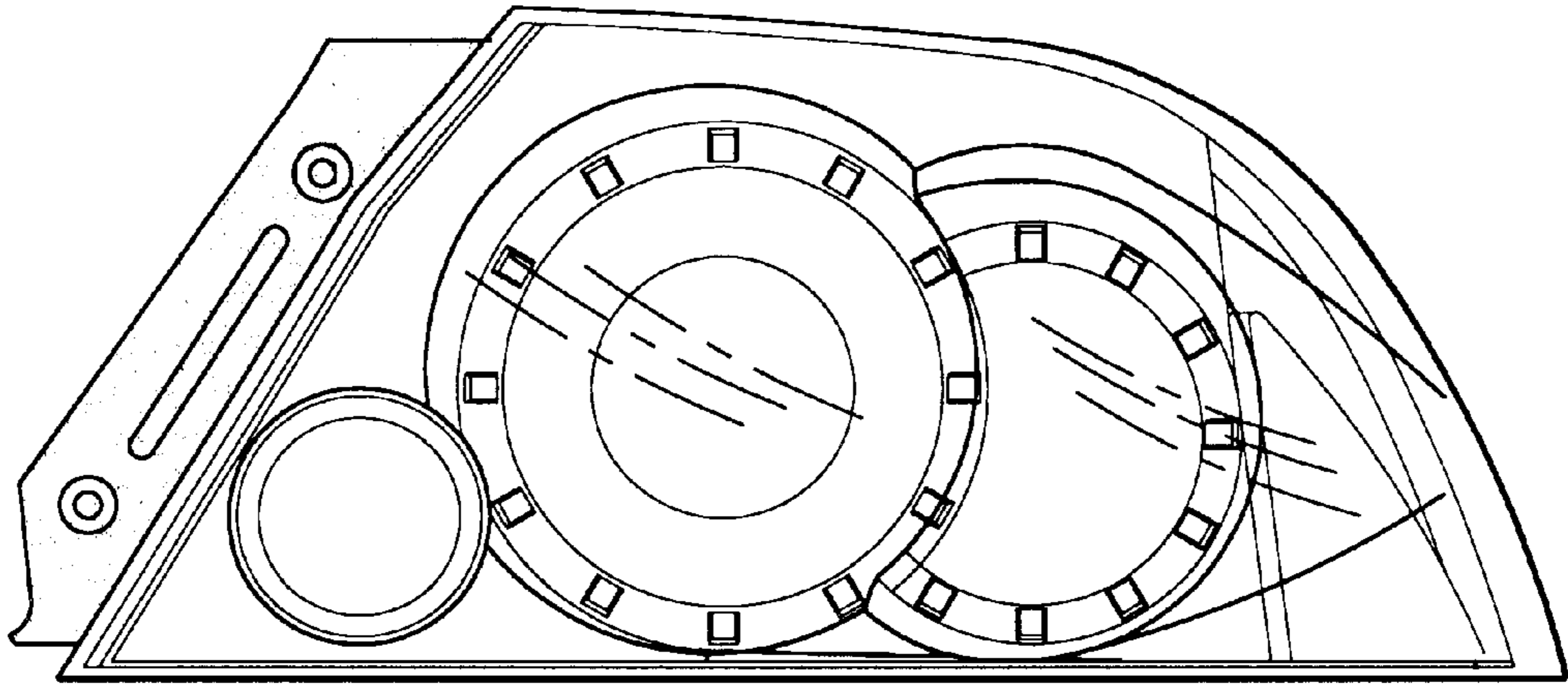


FIG. 2

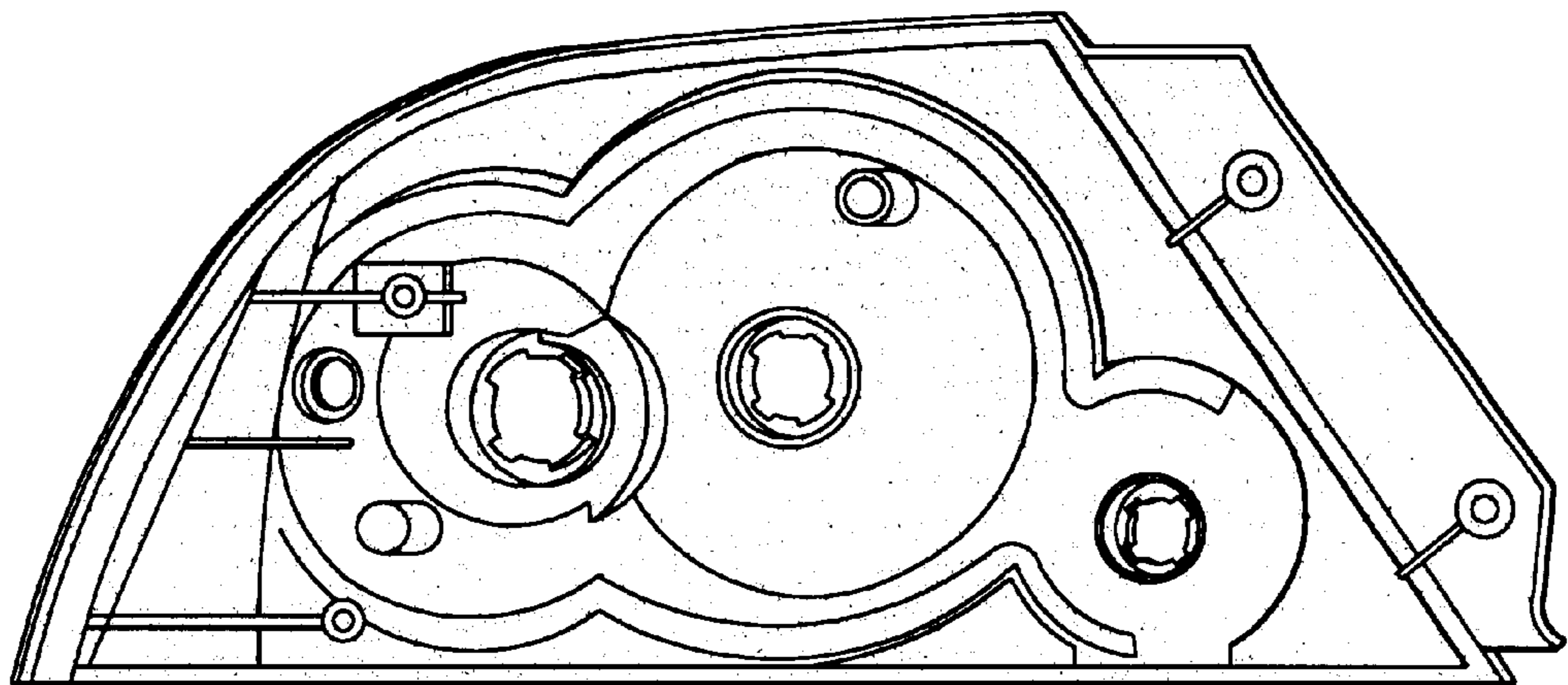


FIG. 3

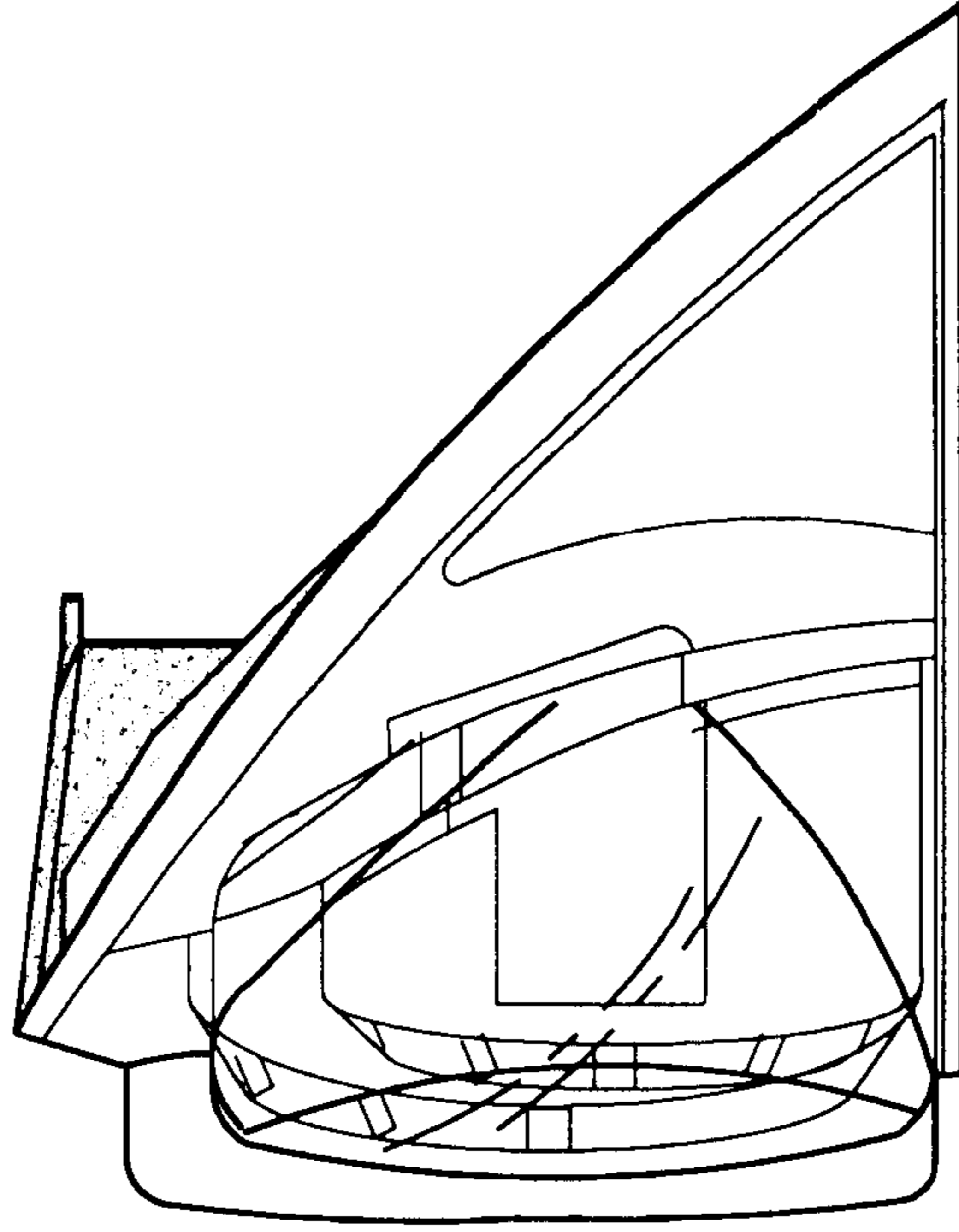


FIG. 4

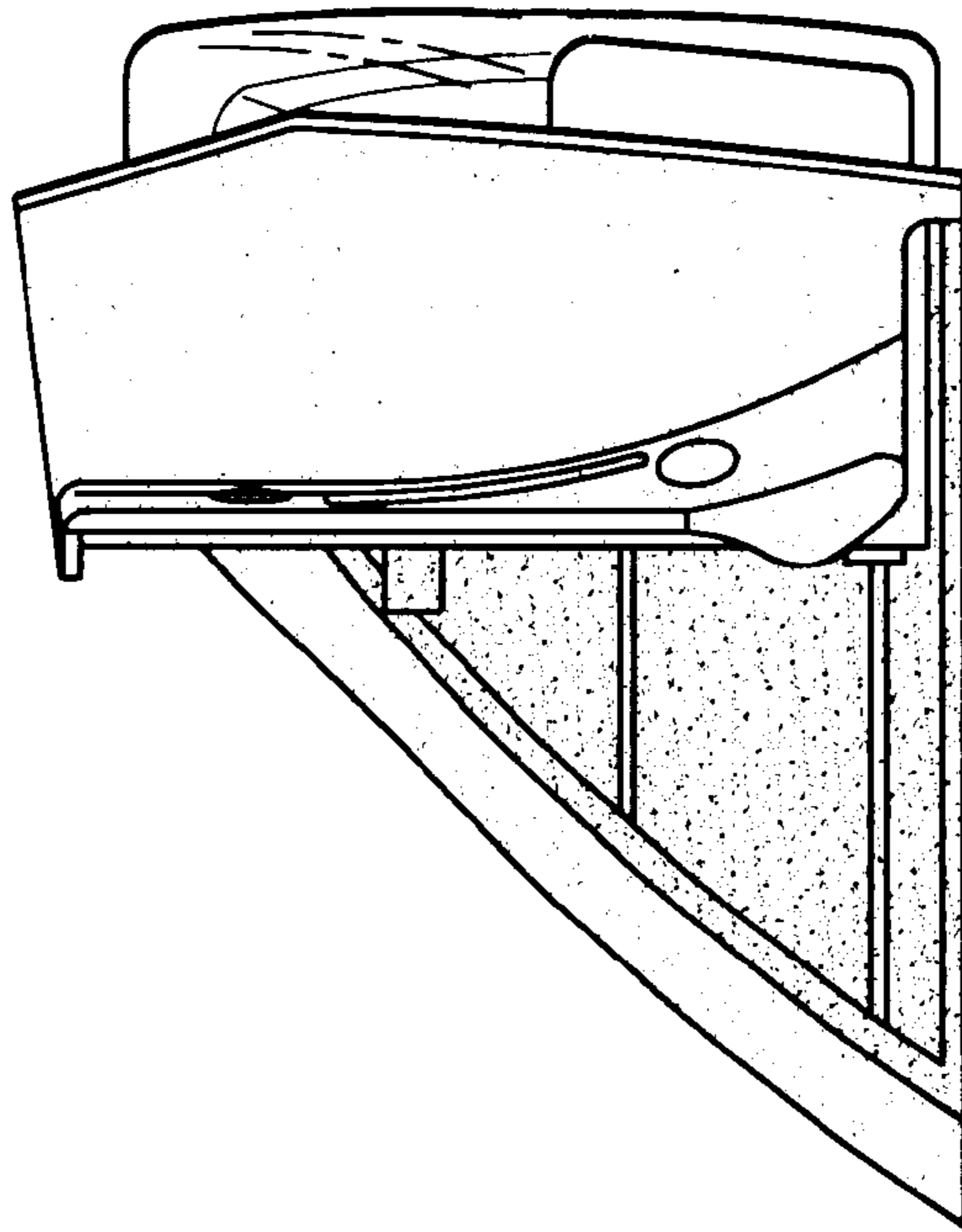


FIG. 5

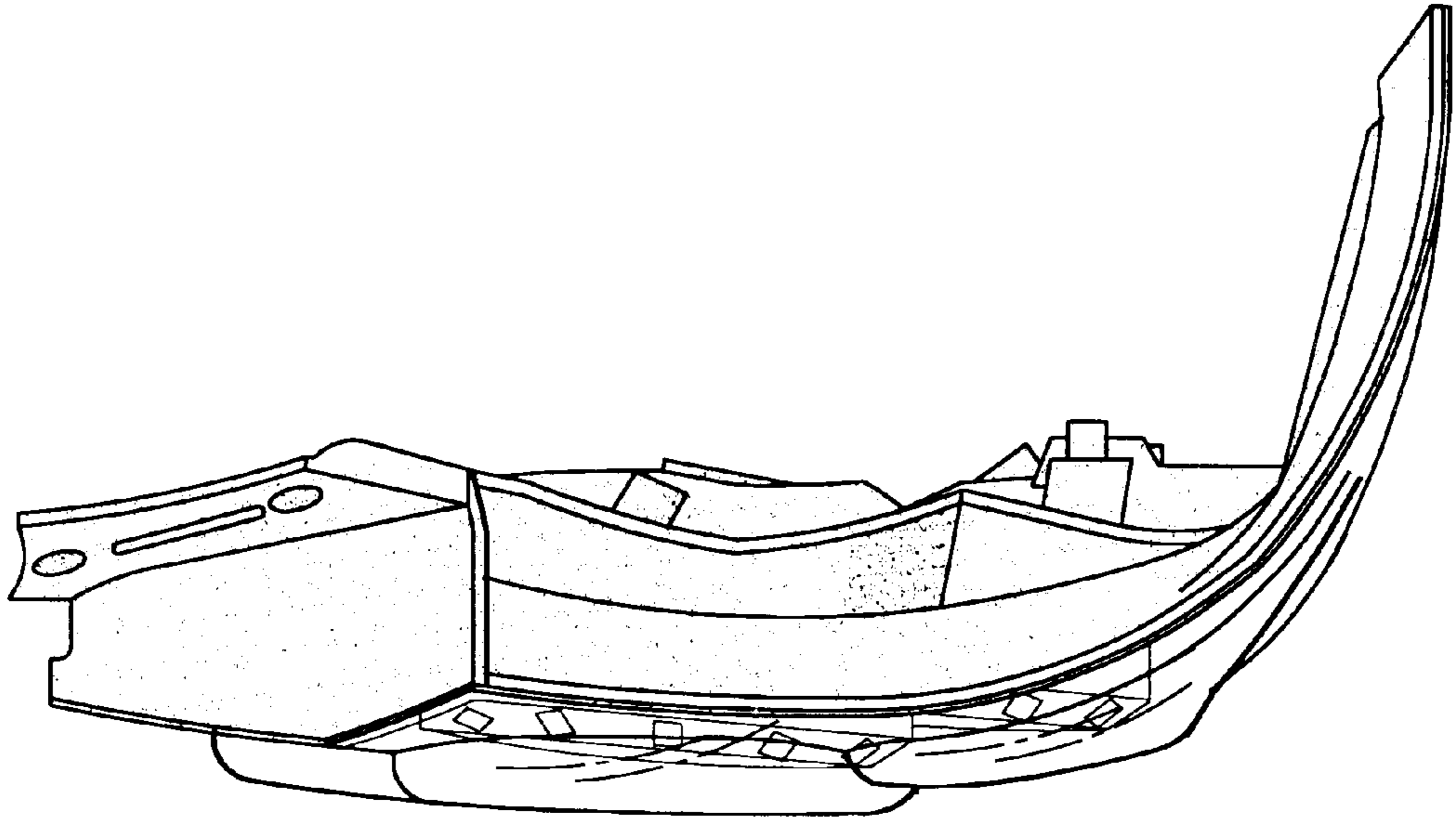


FIG. 6

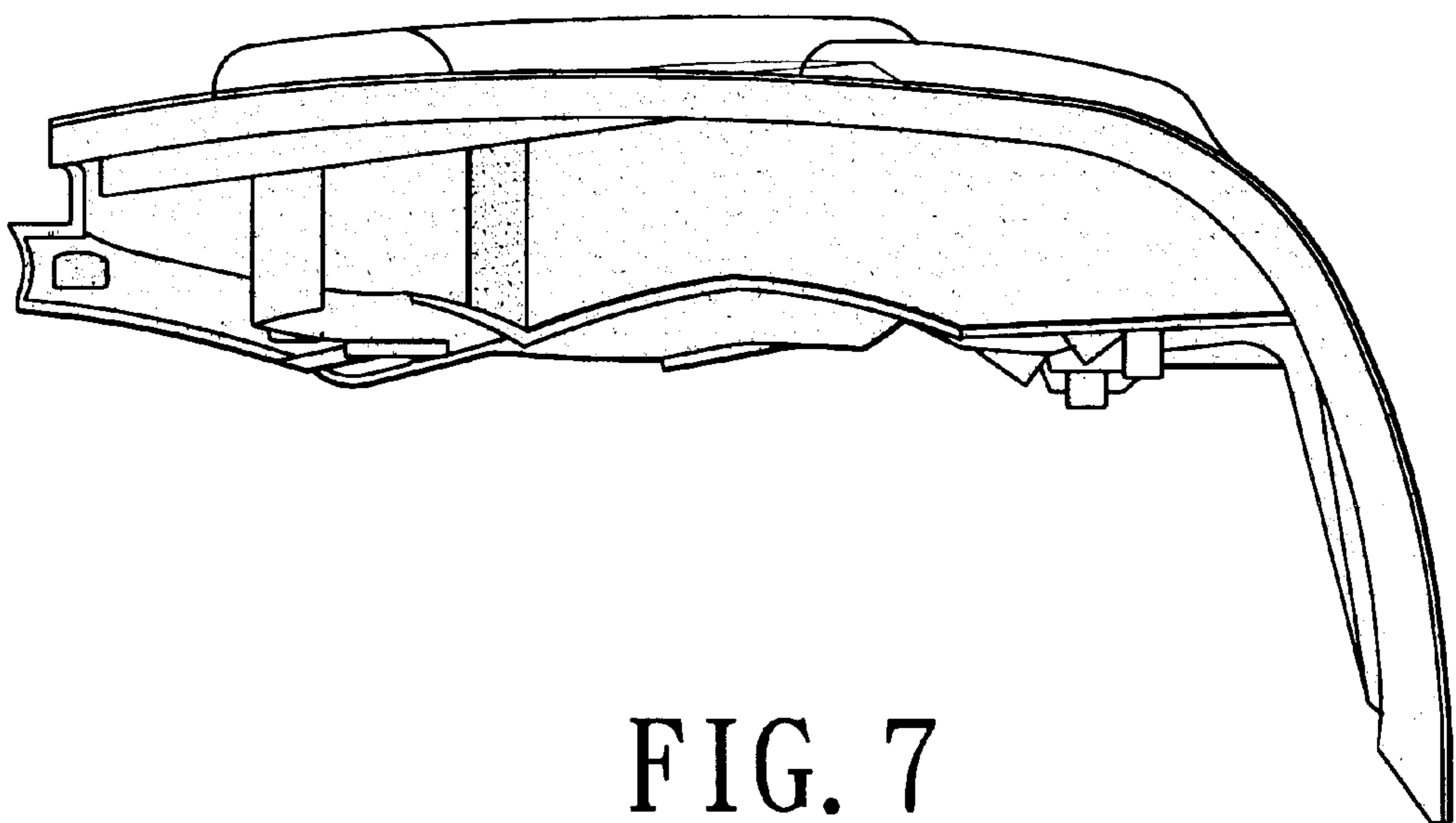


FIG. 7