



US00D484256S

(12) **United States Design Patent**
Ahroni

(10) **Patent No.:** **US D484,256 S**

(45) **Date of Patent:** **** Dec. 23, 2003**

(54) **DECORATIVE LIGHTING APPARATUS**

(76) Inventor: **Joseph M. Ahroni**, 6554 5th Pl. South,
Seattle, WA (US) 98108

(**) Term: **14 Years**

(21) Appl. No.: **29/155,294**

(22) Filed: **Feb. 8, 2002**

(51) **LOC (7) Cl.** **26-04**

(52) **U.S. Cl.** **D26/24; D11/121**

(58) **Field of Search** **D21/713, 707;**
D26/118, 113, 123, 124; 362/806, 249,
250, 252, 190; D11/121

(56) **References Cited**

U.S. PATENT DOCUMENTS

5,228,686	A	*	7/1993	Maleyko	362/190
D359,094	S	*	6/1995	Brovelli	D21/707
5,772,312	A	*	6/1998	Pihl-Niederman et al.	..	362/806
5,876,111	A	*	3/1999	Wu	362/250
6,070,991	A	*	6/2000	Rumpel	362/249
6,276,815	B1	*	8/2001	Wu	362/806
D459,404	S	*	6/2002	Perez	D21/713
6,476,565	B1	*	11/2002	Kaminski	362/806

* cited by examiner

Primary Examiner—Jennifer Rivard

(74) *Attorney, Agent, or Firm*—Seed IP Law Group PLLC

(57) **CLAIM**

The ornamental design for a decorative lighting apparatus, as shown and described.

DESCRIPTION

FIG. 1 is a perspective view of a decorative lighting apparatus.

FIG. 2 is a front elevation view of the decorative lighting apparatus of FIG. 1.

FIG. 3 is a rear elevation view of the decorative lighting apparatus of FIG. 1.

FIG. 4 is a right side view of the decorative lighting apparatus of FIG. 1.

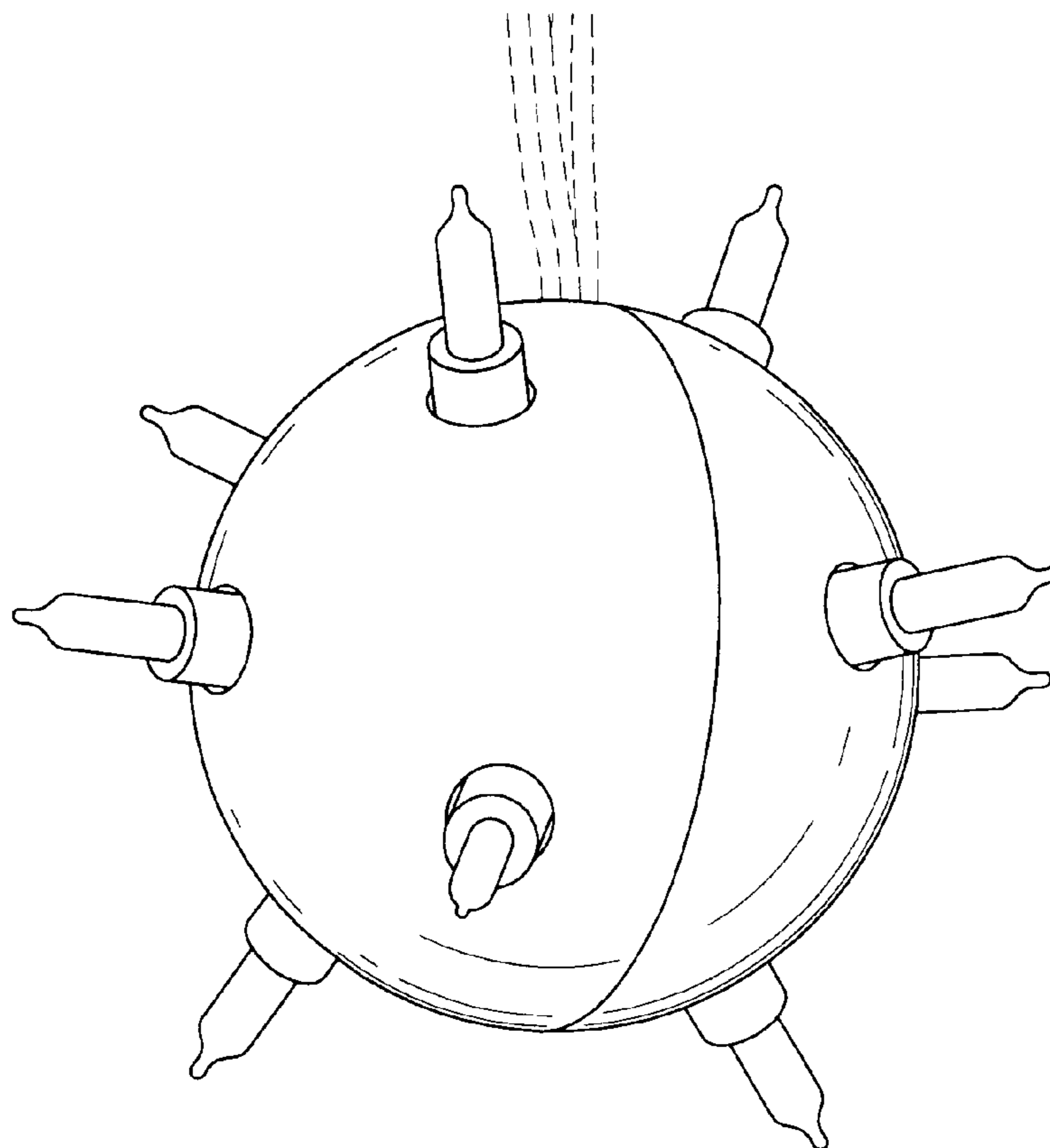
FIG. 5 is a left side view of the decorative lighting apparatus of FIG. 1.

FIG. 6 is a top plan view of the decorative lighting apparatus of FIG. 1; and,

FIG. 7 is a bottom plan view of the decorative lighting apparatus of FIG. 1.

The broken lines in the figures are for illustrative purposes only and form no part of the claimed design.

1 Claim, 4 Drawing Sheets



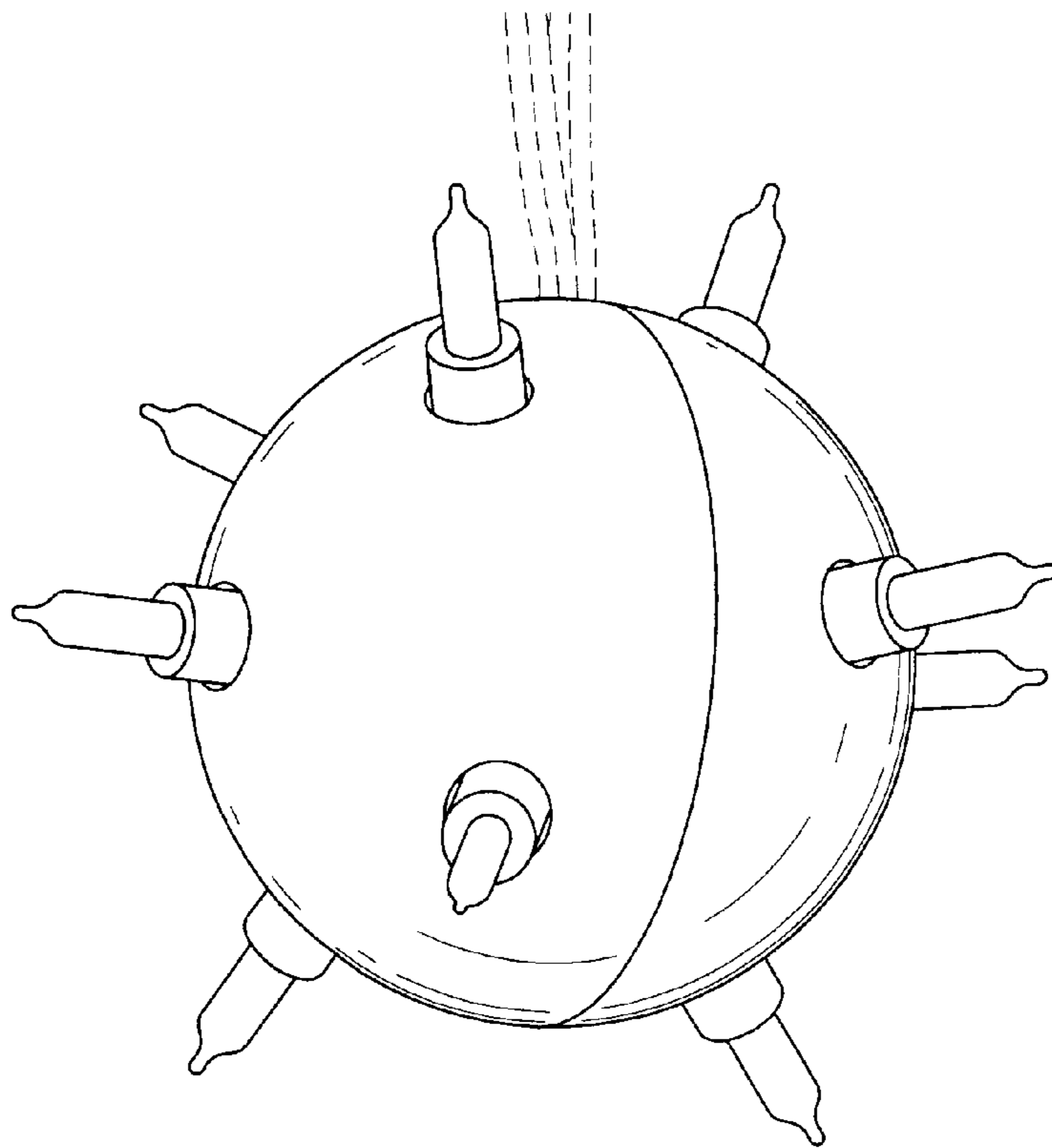


Fig. 1

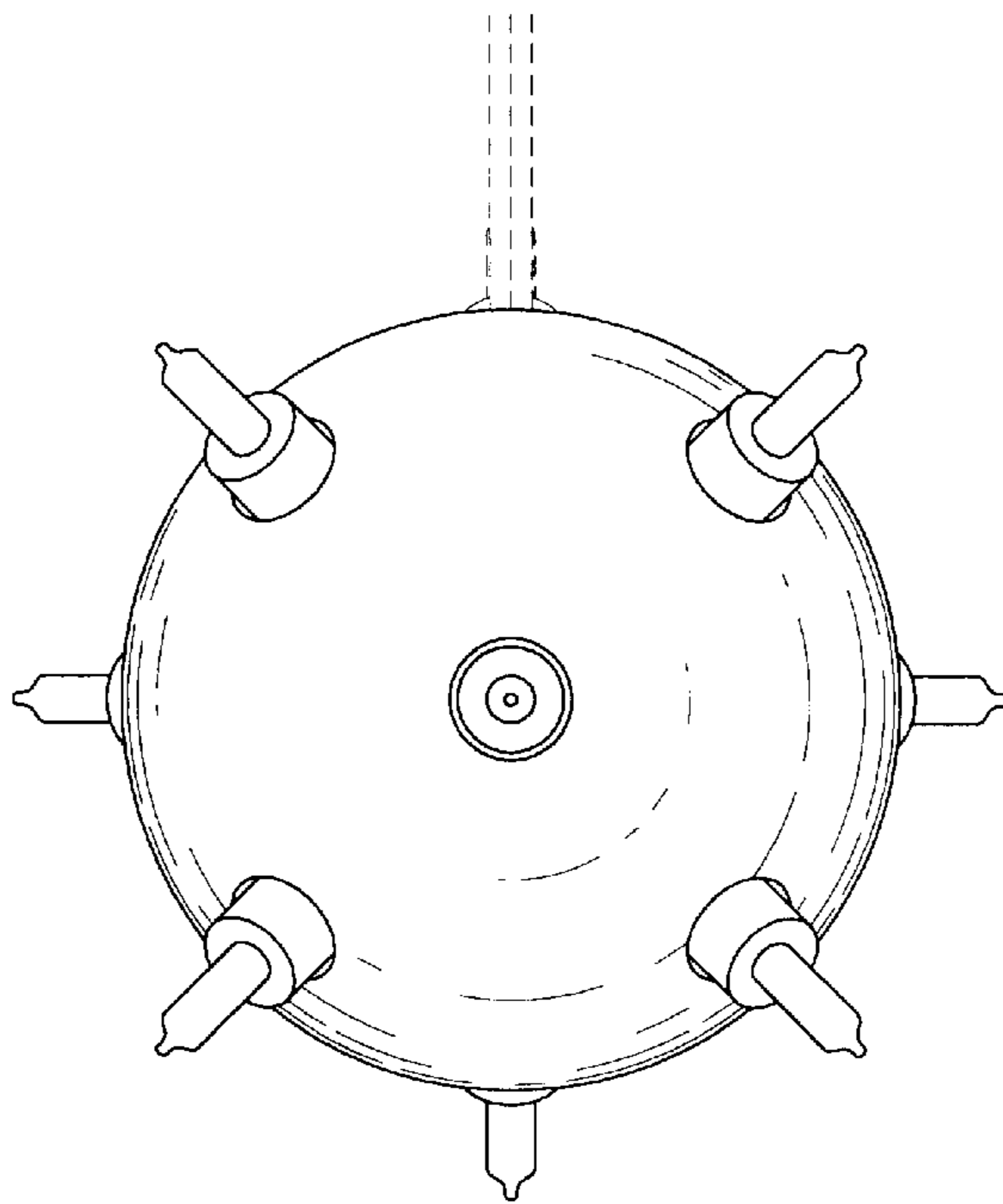


Fig. 2

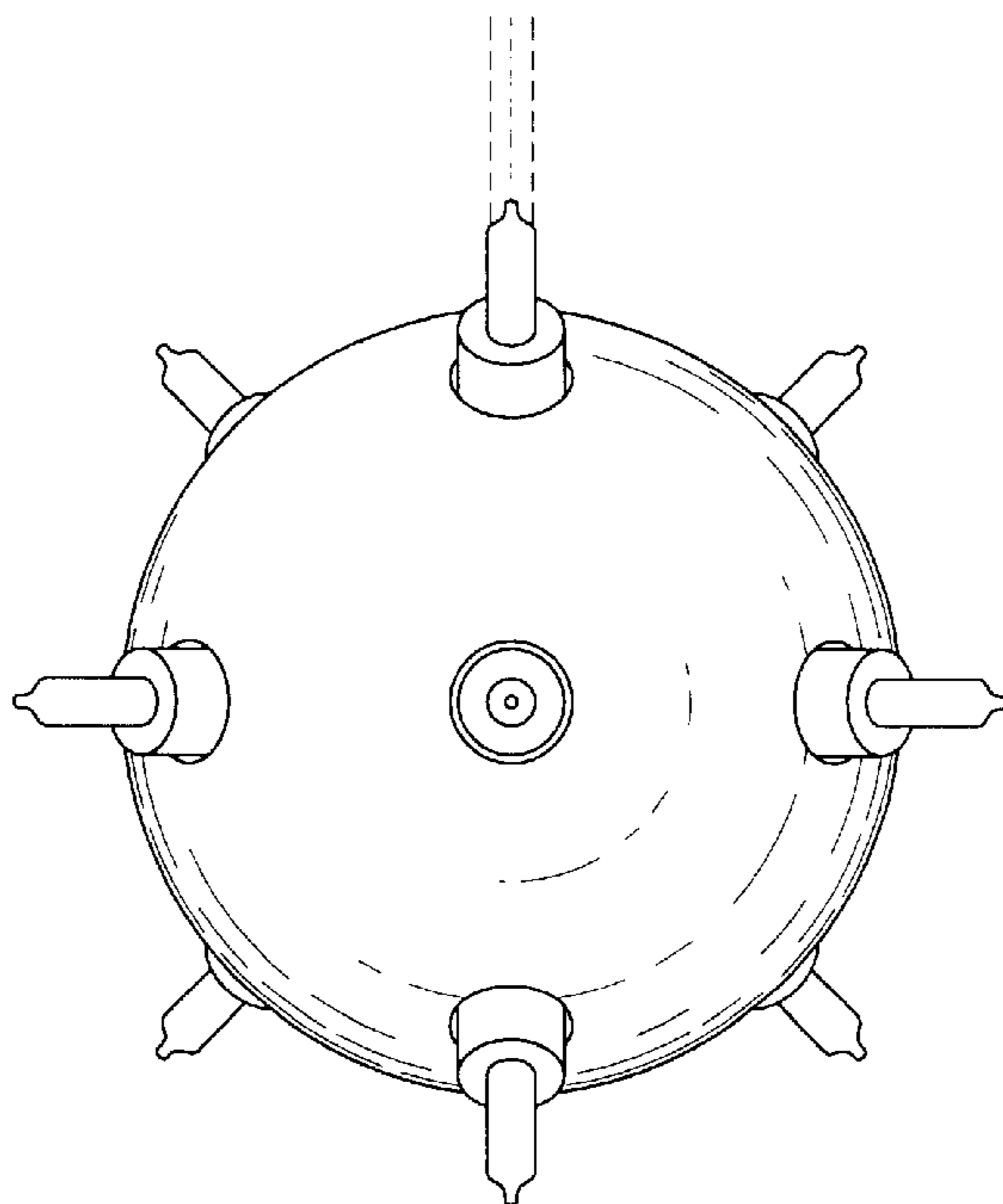


Fig. 3

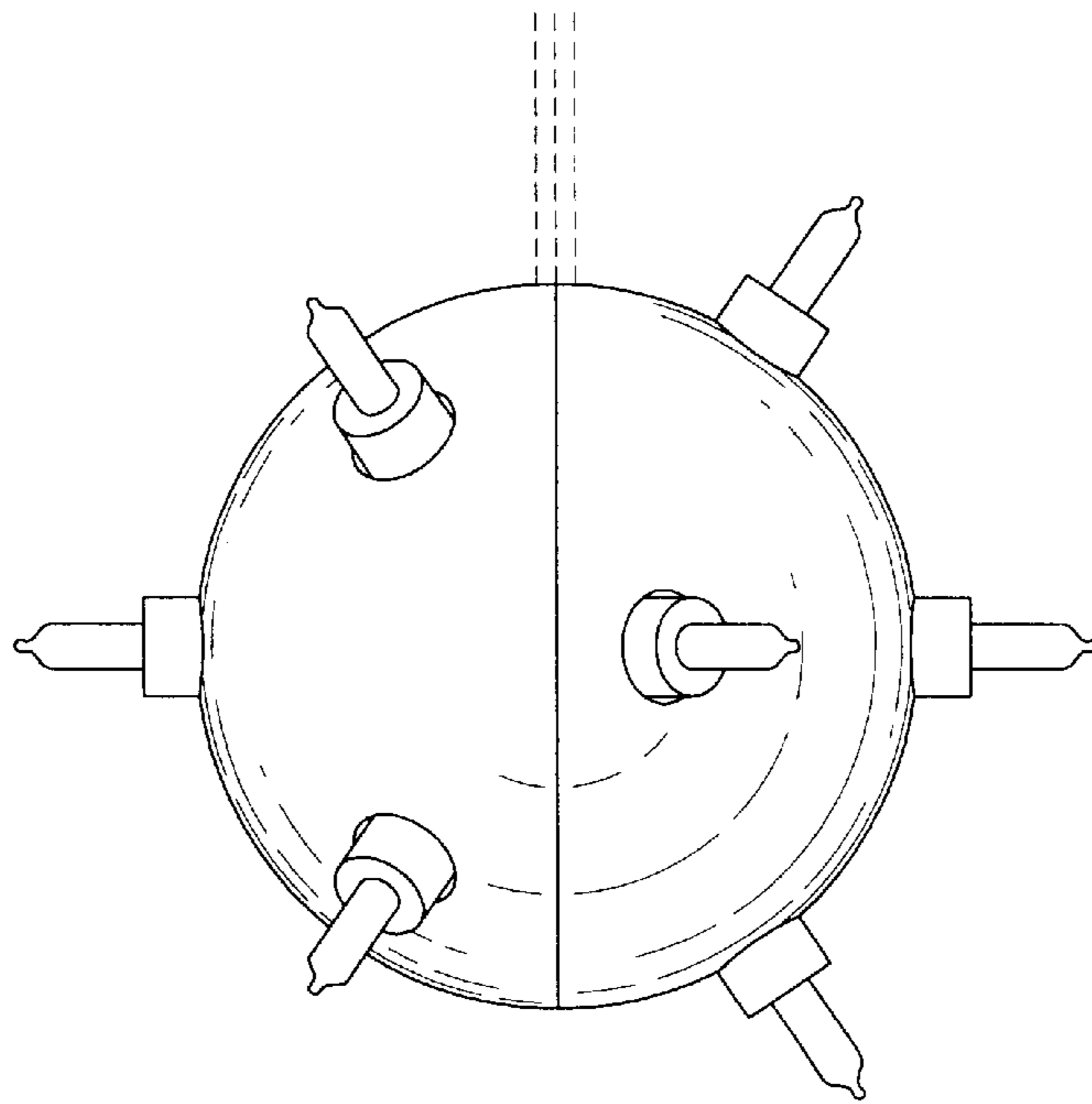


Fig. 4

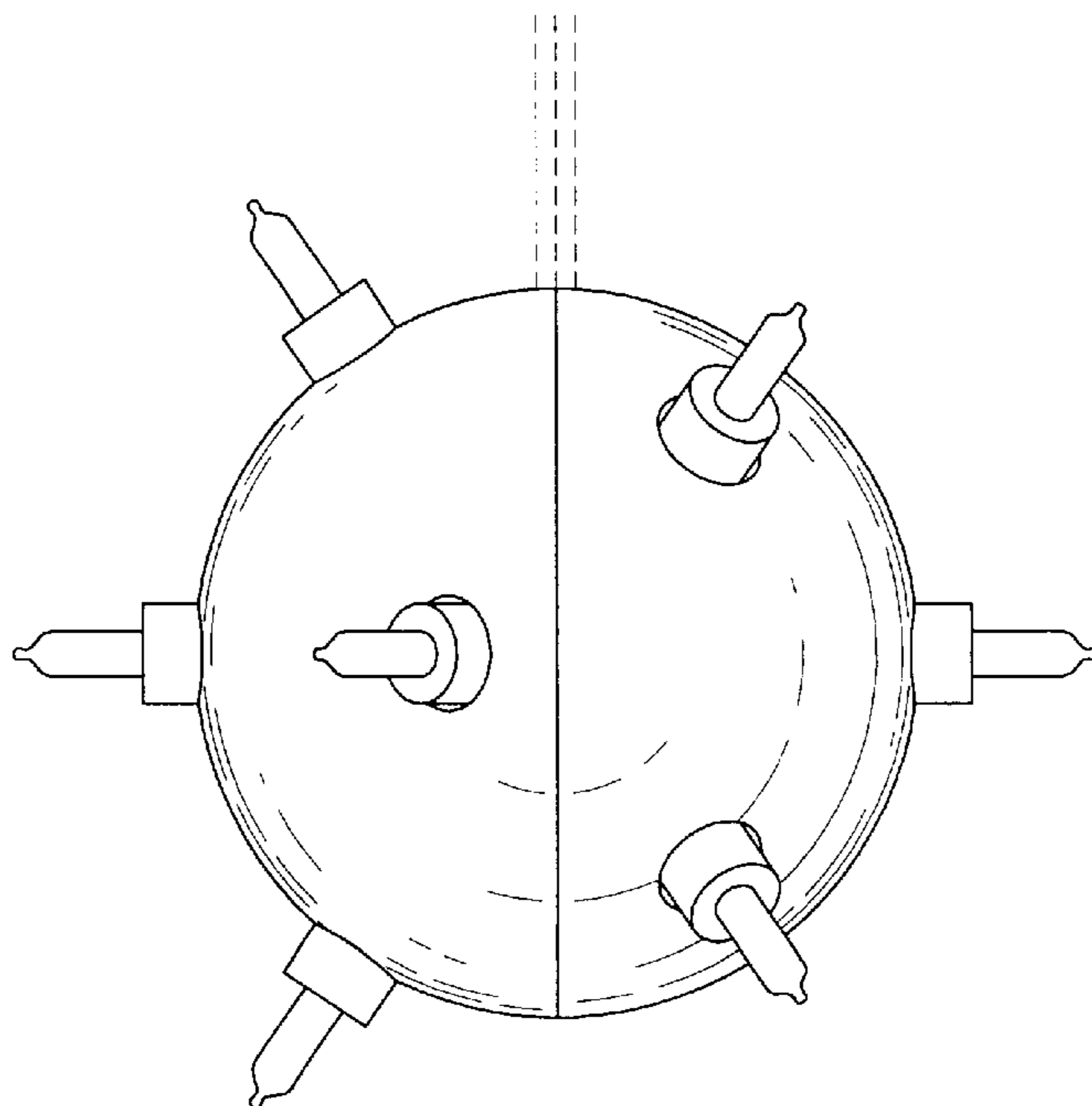


Fig. 5

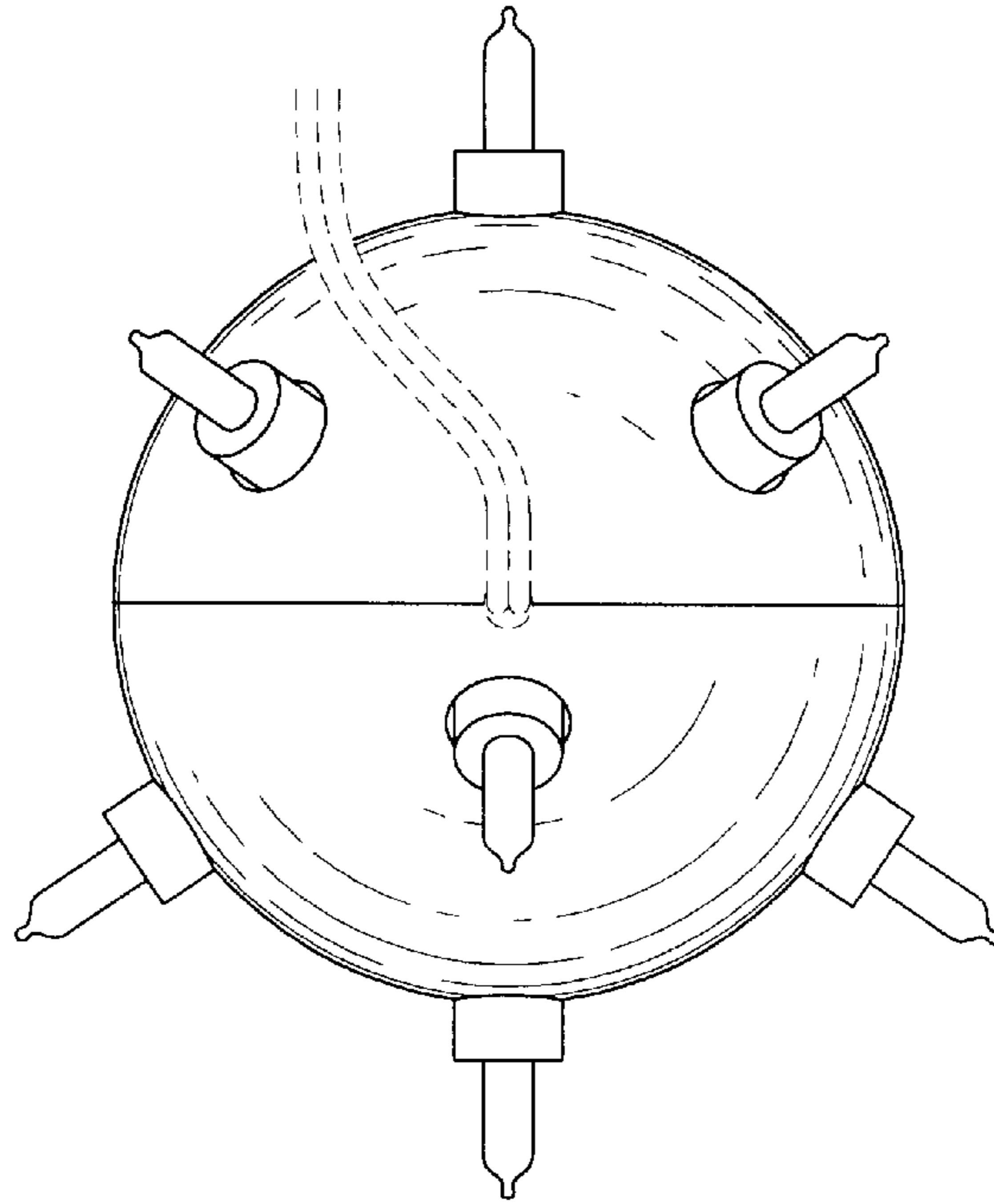


Fig. 6

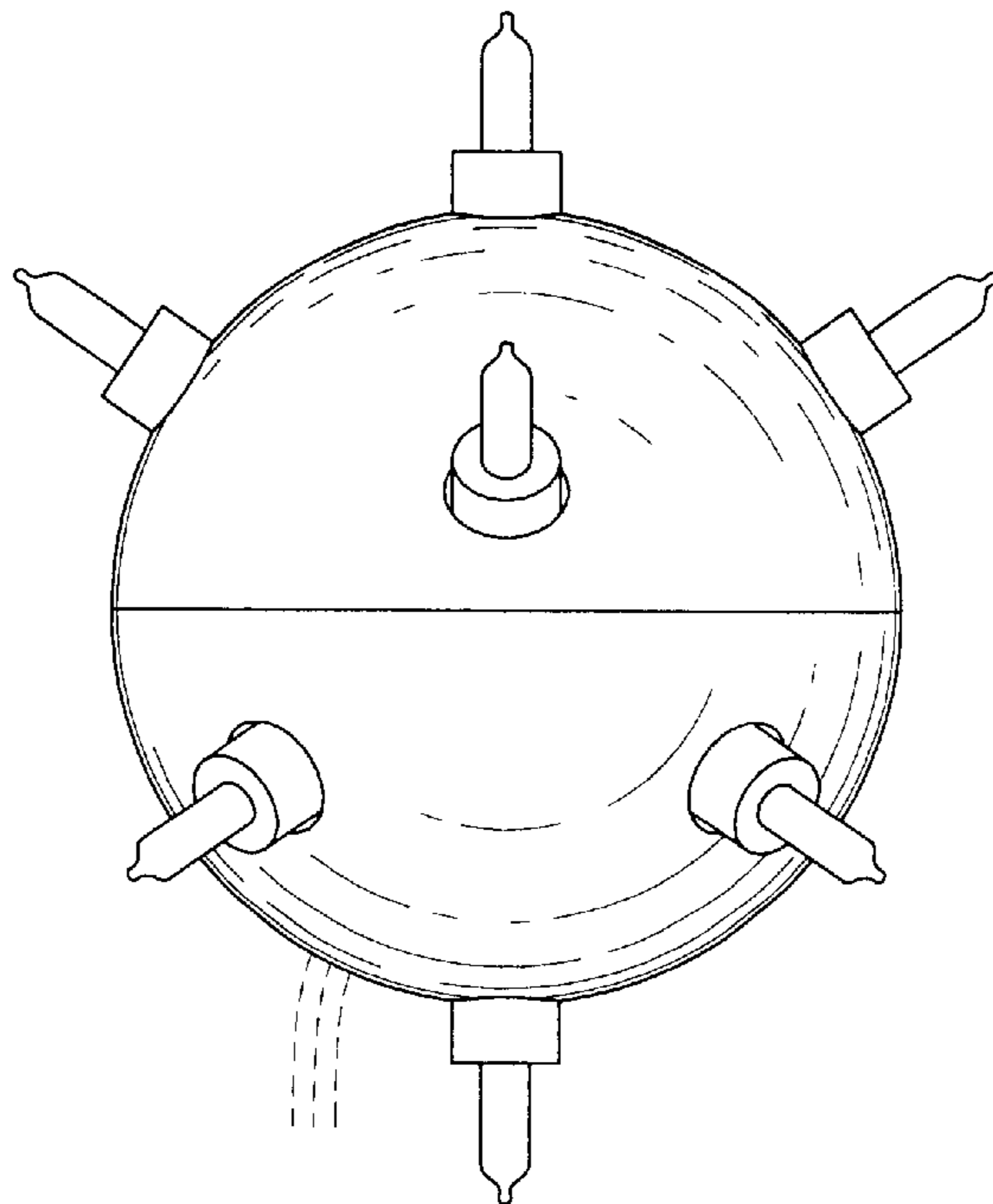


Fig. 7