



US00D484253S

(12) **United States Design Patent**
Glatz

(10) **Patent No.:** **US D484,253 S**

(45) **Date of Patent:** **** Dec. 23, 2003**

(54) **WALL BASE WITH NOTCH IN FRONT FACE**

(75) Inventor: **Jerald Glatz**, Garrettsville, OH (US)

(73) Assignee: **Duramax, Inc.**, Middlefield, OH (US)

(**) Term: **14 Years**

(21) Appl. No.: **29/176,673**

(22) Filed: **Feb. 25, 2003**

(51) **LOC (7) Cl.** **25-01**

(52) **U.S. Cl.** **D25/136**

(58) **Field of Search** D25/135, 55; 52/290,
52/287.1, 288.1, 718.01, 718.04, 718.05,
718.06, 716.1

(56) **References Cited**

U.S. PATENT DOCUMENTS

2,478,006 A	8/1949	Paden	
3,286,422 A	11/1966	Pangerl	
5,598,681 A *	2/1997	DiGianni	52/288.1
5,752,356 A *	5/1998	Miklavic et al.	52/288.1
5,943,829 A *	8/1999	Wilson	52/287.1
D416,632 S *	11/1999	Pelosi, Jr.	D25/136
6,115,982 A *	9/2000	Lindenberg	52/288.1

* cited by examiner

Primary Examiner—Doris Clark

(74) *Attorney, Agent, or Firm*—D. Peter Hochberg;
Katherine R. Vieyra; Sean Mellino

(57) **CLAIM**

The ornamental design for a wall base with notch in front face, as shown and described.

DESCRIPTION

FIG. 1 is a perspective view of the wall base with notch in front face according to the invention;

FIG. 2 is a top end view of the wall base with notch in front face as shown in FIG. 1;

FIG. 3 is a front view of the wall base with notch in front face as shown in FIG. 1;

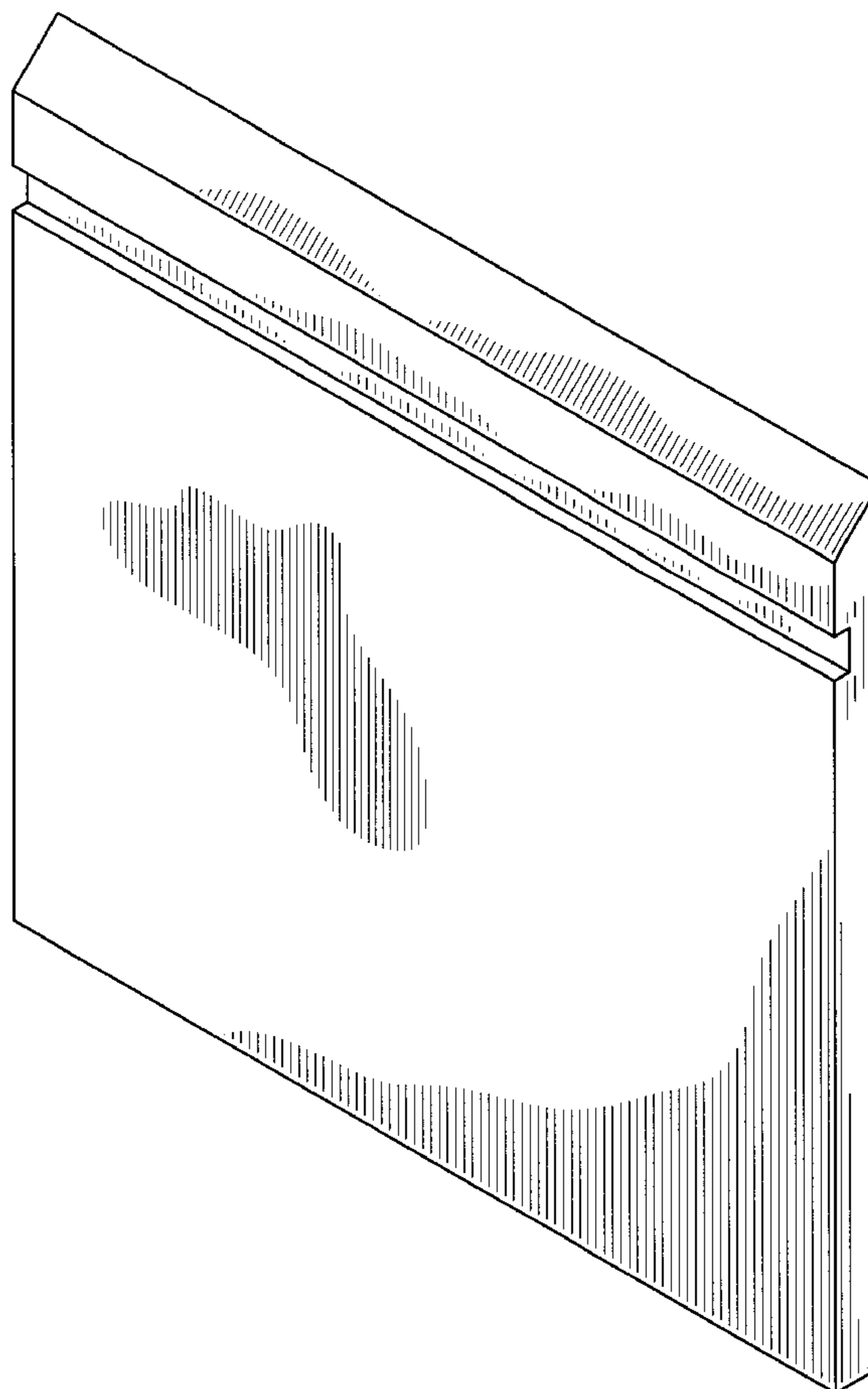
FIG. 4 is a side view of the wall base with notch in front face as shown in FIG. 1;

FIG. 5 is a rear view of the wall base with notch in front face as shown in FIG. 1;

FIG. 6 is a side view of the wall base with notch in front face as shown in FIG. 1, shown from the opposite side of that shown in FIG. 4; and,

FIG. 7 is a bottom end view of the wall base with notch in front face as shown in FIG. 1.

1 Claim, 3 Drawing Sheets



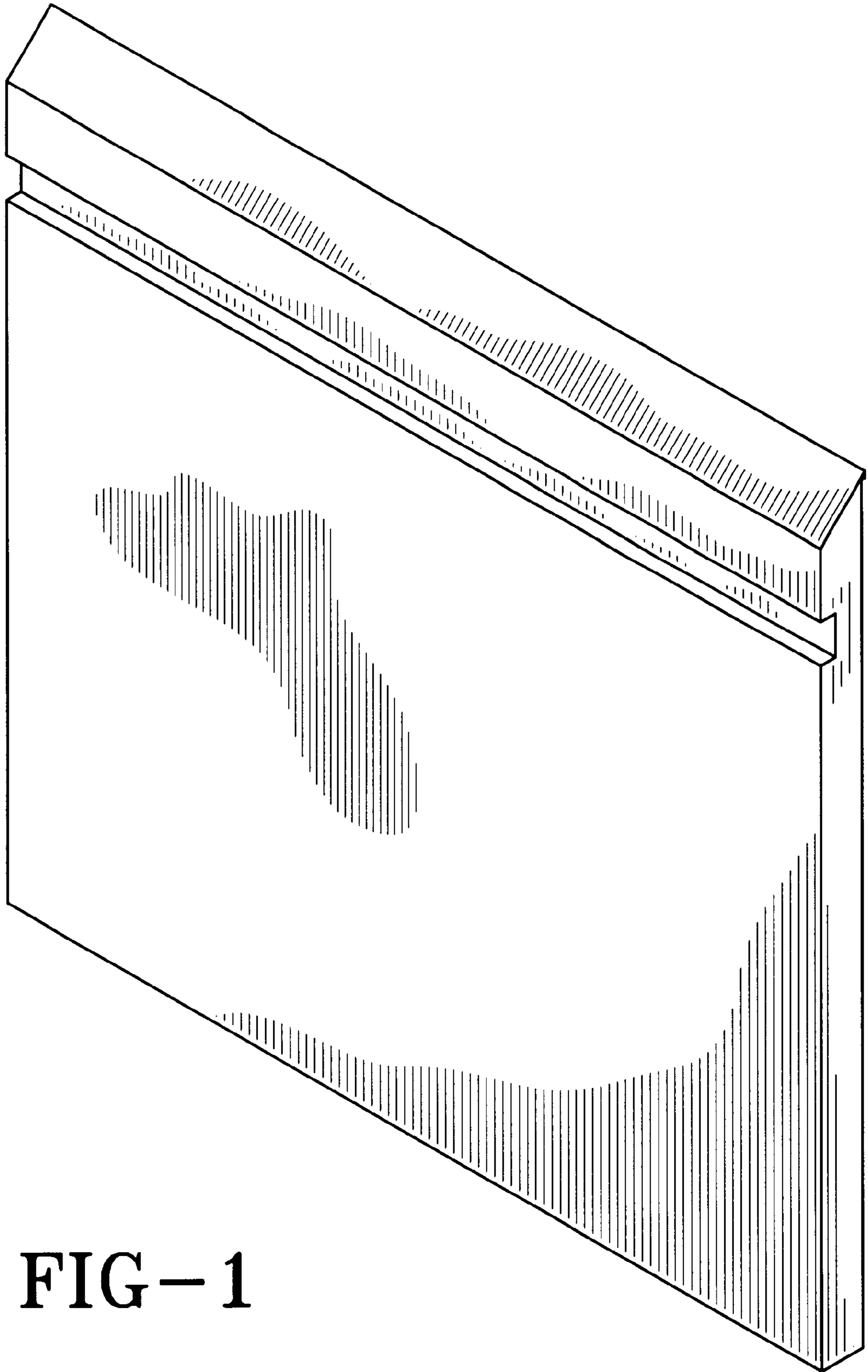


FIG-1

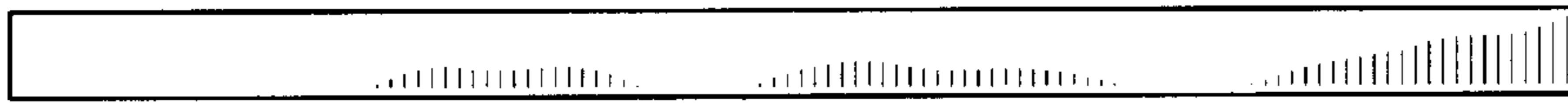


FIG-2

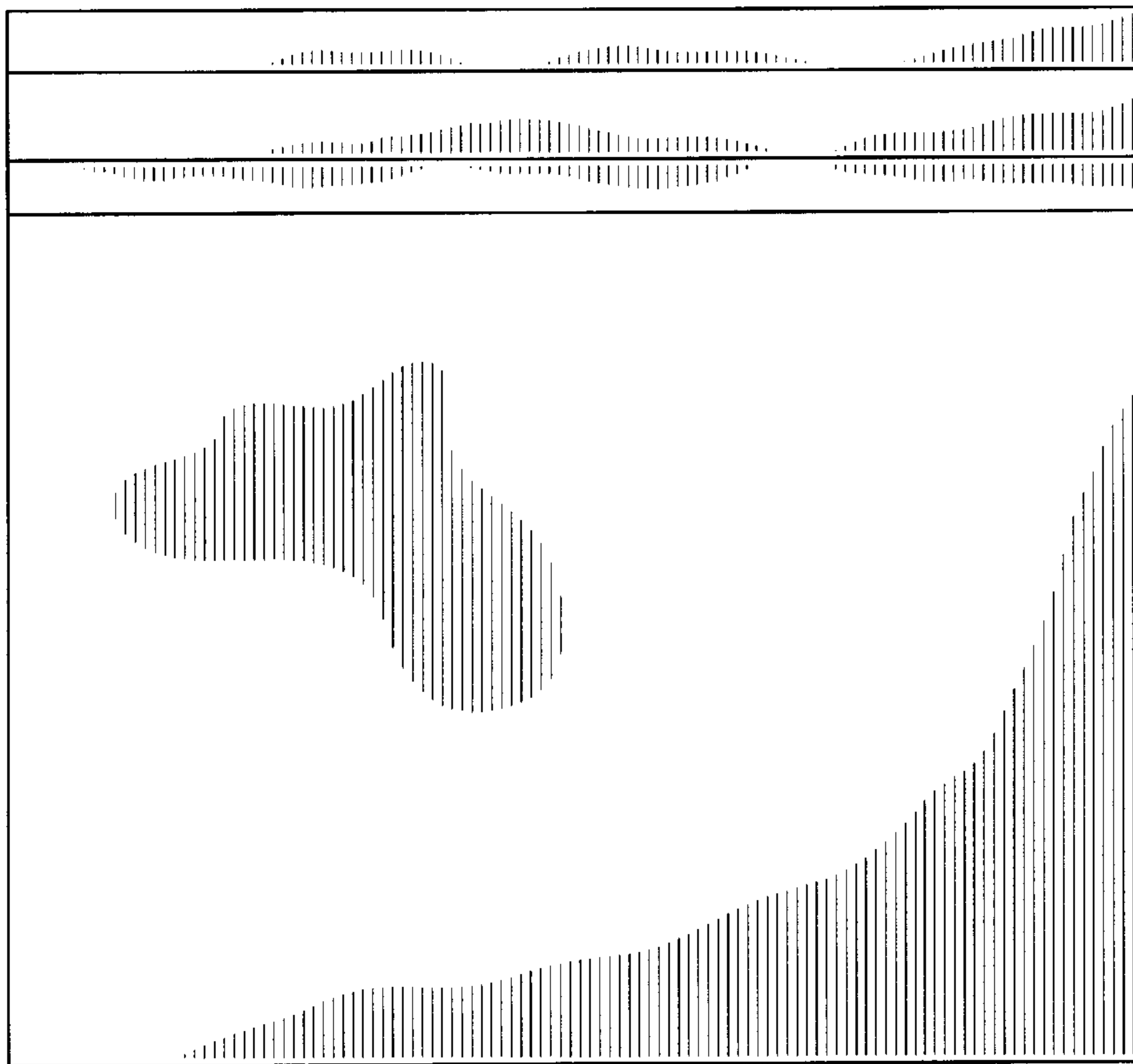


FIG-3

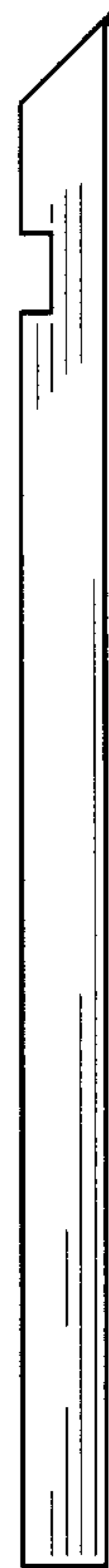


FIG-4

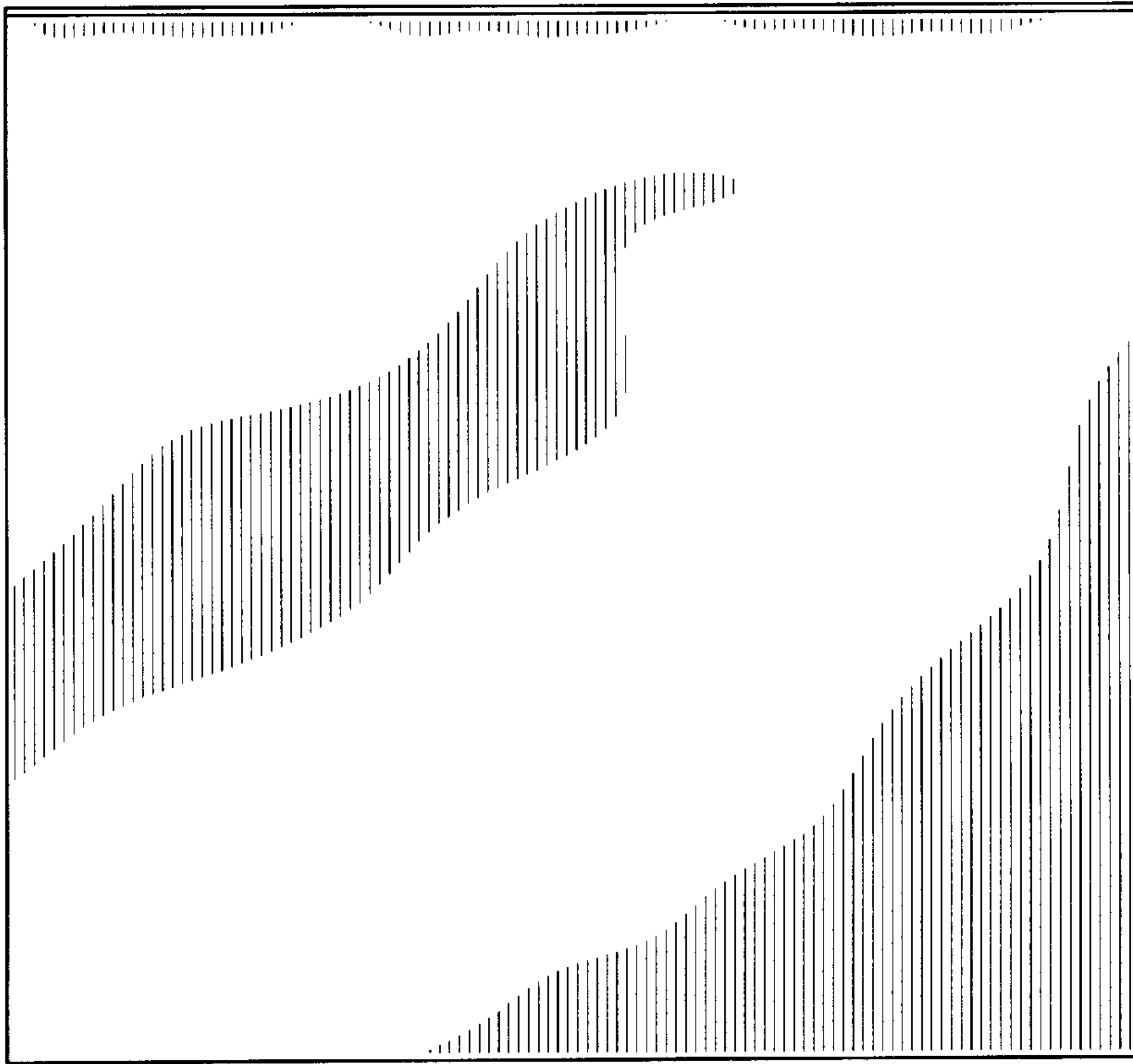


FIG-5

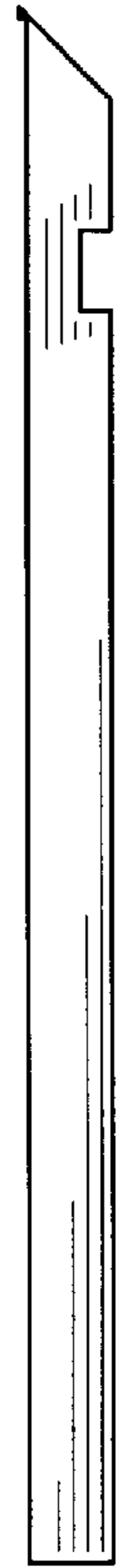


FIG-6



FIG-7