



US00D484252S

(12) **United States Design Patent**  
**Hughes et al.**

(10) **Patent No.: US D484,252 S**

(45) **Date of Patent: \*\* \*Dec. 23, 2003**

(54) **PICKET FENCE/POST ELEMENT**

(75) Inventors: **Roderick E. Hughes**, Newport Beach, CA (US); **Kevin Fidati**, Fayetteville, GA (US); **Joe Schiff**, Peachtree City, GA (US); **Jack Cuttle**, Fairburn, GA (US); **George Vuduris**, Peachtree City, GA (US)

(73) Assignees: **Extrutech International, Inc.**, Costa Mesa, CA (US); **Tri-Ex Composites, Incorporated**, Neunan, GA (US)

(\* ) Notice: This patent is subject to a terminal disclaimer.

(\*\*) Term: **14 Years**

(21) Appl. No.: **29/167,963**

(22) Filed: **Sep. 24, 2002**

(51) **LOC (7) Cl.** ..... **25-01**

(52) **U.S. Cl.** ..... **D25/126; D25/121**

(58) **Field of Search** ..... D25/38, 126, 42-43, D25/44, 121; 256/22, 19; 52/720.1, 726.3

(56) **References Cited**

**U.S. PATENT DOCUMENTS**

3,041,719 A	7/1962	Haseltine
3,489,392 A	1/1970	Thom
3,554,494 A	1/1971	Bee
4,181,764 A	1/1980	Totten
4,208,175 A	6/1980	Rosenbaum
4,249,875 A	2/1981	Hart et al.
4,453,357 A	6/1984	Zwilgmeyer
4,514,449 A	4/1985	Budich et al.
4,610,902 A	9/1986	Eastman
4,746,688 A	5/1988	Bistak et al.
4,964,618 A	10/1990	Kennedy et al.
4,972,537 A	11/1990	Slaw, Sr.
5,077,948 A	1/1992	Olson et al.
5,100,109 A	3/1992	Robbins, III
5,329,741 A	7/1994	Nicolaidis et al.
5,404,685 A	4/1995	Collins
5,416,139 A	5/1995	Zeiszler

5,418,028 A	5/1995	DeWitt	
5,660,376 A	* 8/1997	West	256/22
5,706,620 A	1/1998	De Zen	
5,743,986 A	4/1998	Colombo	
5,847,016 A	12/1998	Cope	
5,858,493 A	1/1999	Sandt	
5,883,191 A	3/1999	Hughes	
D409,869 S	5/1999	Marusak	
5,953,878 A	9/1999	Johnson	
6,039,307 A	3/2000	De Zen	

(List continued on next page.)

**OTHER PUBLICATIONS**

U.S. patent application Ser. No. 09/761,331 filed Jan. 16, 2001.

U.S. Design patent application Ser. No. 29/135,708 filed Jan. 16, 2001.

U.S. Design patent application Ser. No. 29/135,695 filed Jan. 16, 2001.

*Primary Examiner*—Doris Clark

(74) *Attorney, Agent, or Firm*—Stout, Uxa, Buyan & Mullins, LLP; Frank J. Uxa

(57) **CLAIM**

The ornamental design for picket fence/post element, as shown and described.

**DESCRIPTION**

FIG. 1 is a perspective view of the picket fence/post element of the present invention.

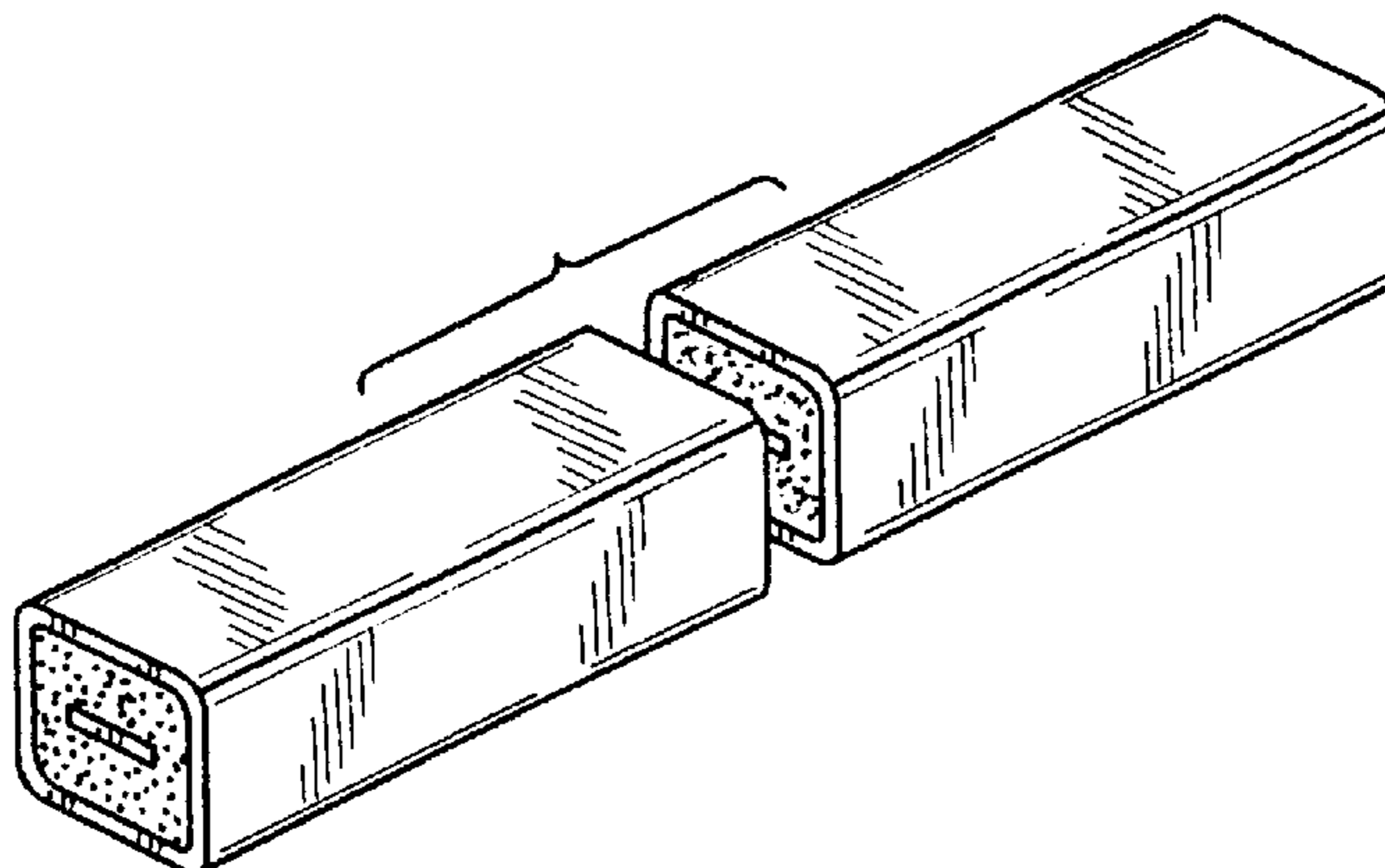
FIG. 2 is an elevation view showing the front of the picket fence/post element shown in FIG. 1, an elevation view showing the back being identical in appearance.

FIG. 3 is an elevation view showing the left side of the picket fence/post element shown in FIG. 1, an elevation view showing the right side being identical in appearance.

FIG. 4 is a top plan view of the picket fence/post element shown in FIG. 1, a bottom plan view being identical in appearance; and,

FIG. 5 is an enlargement of area 5 of FIG. 2 of the picket fence/post element.

**1 Claim, 1 Drawing Sheet**



# US D484,252 S

Page 2

---

U.S. PATENT DOCUMENTS					
			D461,914 S	8/2002	Hughes et al.
			D462,458 S	9/2002	Hughes et al.
6,054,207 A	4/2000	Finley	6,448,332 B1	9/2002	Hughes
D426,320 S	6/2000	Andres	6,451,882 B1	9/2002	Hughes
6,083,601 A	7/2000	Prince et al.			
6,133,349 A	10/2000	Hughes			
D446,316 S	* 8/2001	Wooten .....	D25/43		* cited by examiner

Fig. 1

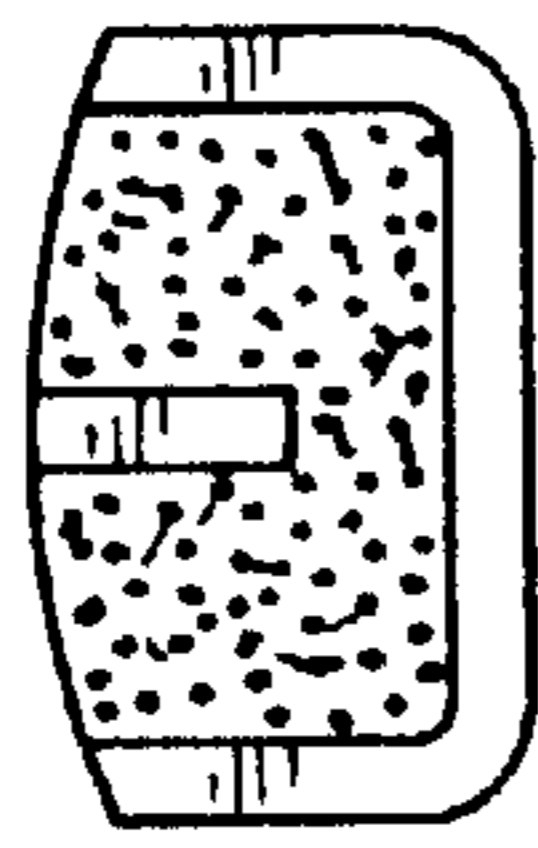
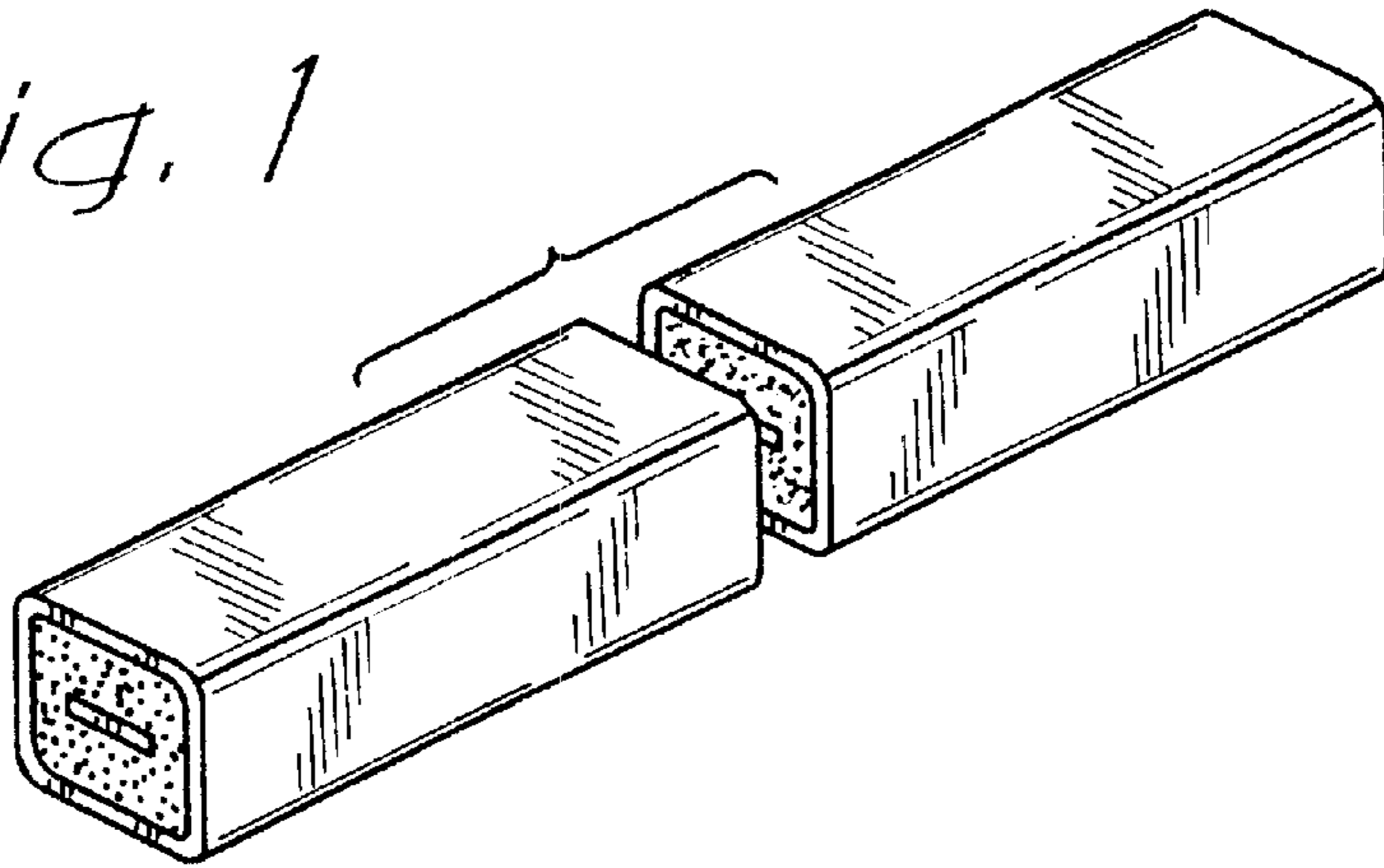


Fig. 5

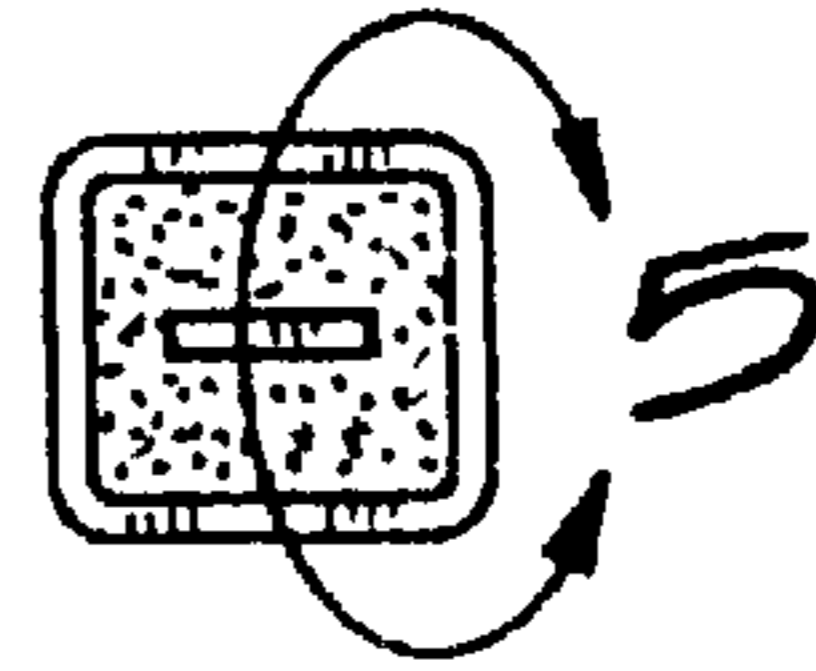


Fig. 2

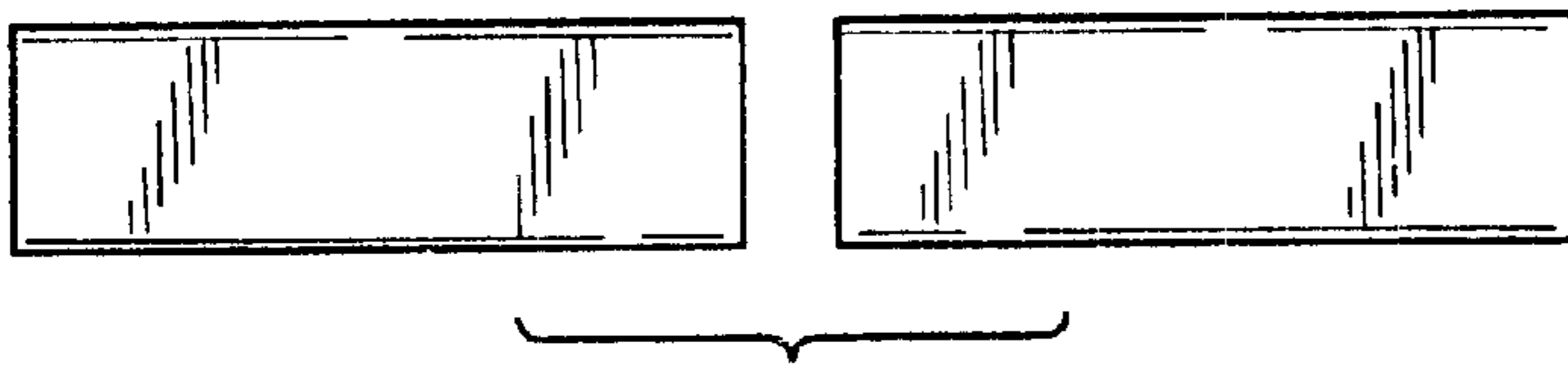


Fig. 3

Fig. 4

