



US00D484251S

(12) **United States Design Patent**
Pruett et al.

(10) **Patent No.:** **US D484,251 S**

(45) **Date of Patent:** **** Dec. 23, 2003**

(54) **TOOL CADDY FOR LADDERS**

(76) Inventors: **Richard Franklin Pruett**, 431 Turner Rd., Rutherfordton, NC (US) 28139;
Johnny Washington Quinton, 669 Freeman Town Rd., Rutherfordton, NC (US) 28139

(**) Term: **14 Years**

(21) Appl. No.: **29/172,350**

(22) Filed: **Dec. 10, 2002**

(51) **LOC (7) Cl.** **25-04**

(52) **U.S. Cl.** **D25/68**

(58) **Field of Search** 248/238, 210;
D25/68; 182/129

(56) **References Cited**

U.S. PATENT DOCUMENTS

D284,513 S	7/1986	Dyer	
4,706,918 A	11/1987	Wilson	
5,370,263 A	12/1994	Brown	
D361,664 S	8/1995	Brown	
D363,995 S	11/1995	Mollenhauer	
5,641,142 A	6/1997	Hanson et al.	
5,673,885 A	10/1997	Pham	
D397,833 S	9/1998	Adams Zurawin	
D418,612 S	1/2000	Deutsch	
6,089,351 A	7/2000	Ahl et al.	
D434,856 S	* 12/2000	Yahner	D25/68
6,341,666 B1	1/2002	Allen	
6,467,577 B1	10/2002	Charlebois, Jr.	

* cited by examiner

Primary Examiner—Doris Clark

(74) *Attorney, Agent, or Firm*—Alston & Bird LLP

(57) **CLAIM**

The ornamental design for a tool caddy for ladders, as shown and described.

DESCRIPTION

FIG. 1 is a perspective view of a tool caddy for ladders according to the present design;

FIG. 2 is another perspective view of the tool caddy of FIG. 1;

FIG. 3 is a top plan view of the tool caddy of FIG. 1;

FIG. 4 is a front elevation view of the tool caddy of FIG. 1;

FIG. 5 is a bottom plan view of the tool caddy of FIG. 1;

FIG. 6 is a rear elevation view of the tool caddy of FIG. 1;

FIG. 7 is a side elevation view of the tool caddy of FIG. 1;

FIG. 8 is a perspective view of a second embodiment of a tool caddy for ladders according to the present design;

FIG. 9 is another perspective view of the tool caddy of FIG. 8;

FIG. 10 is a top plan view of the tool caddy of FIG. 8;

FIG. 11 is a front elevation view of the tool caddy of FIG. 8;

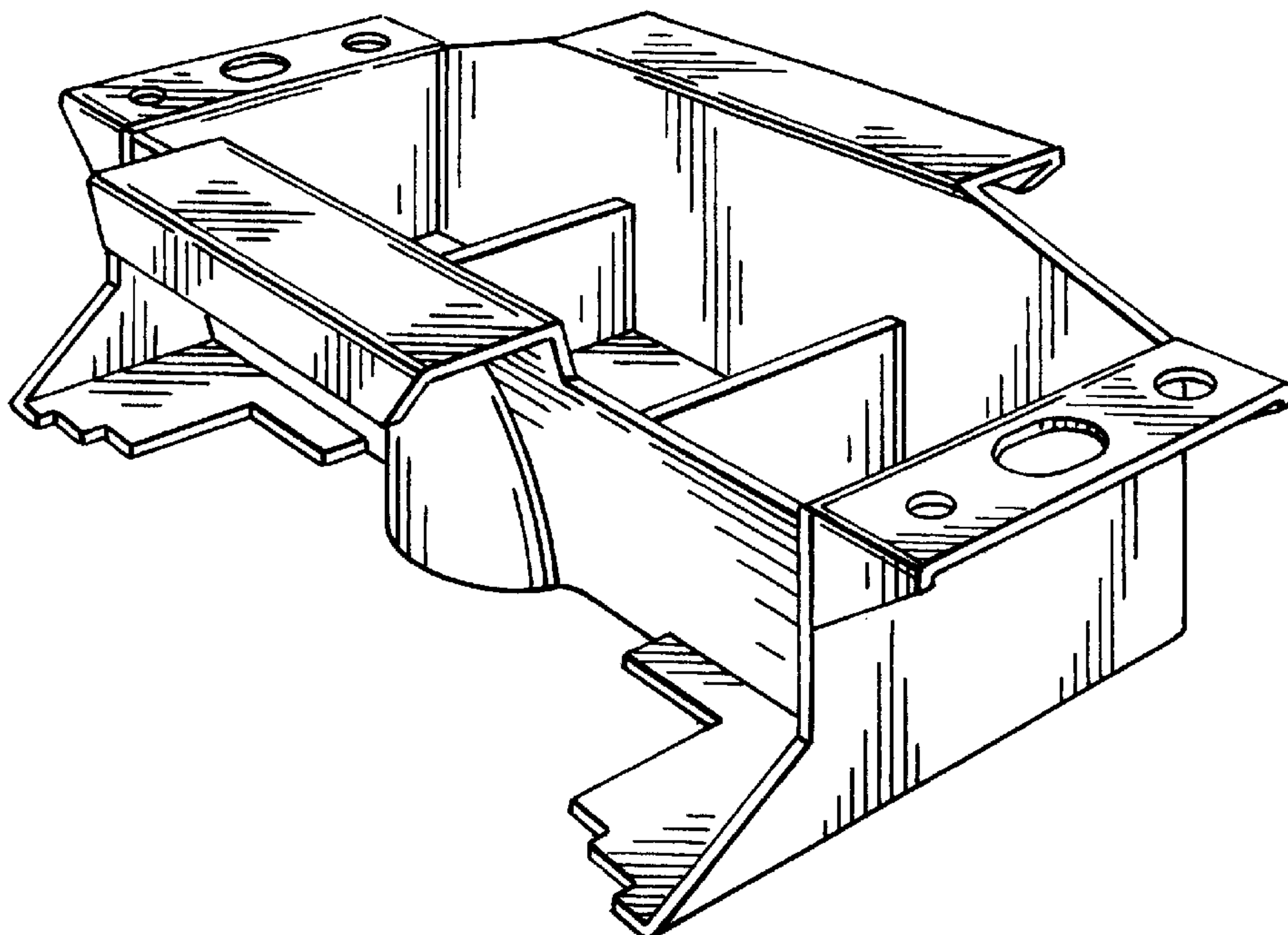
FIG. 12 is a bottom plan view of the tool caddy of FIG. 8;

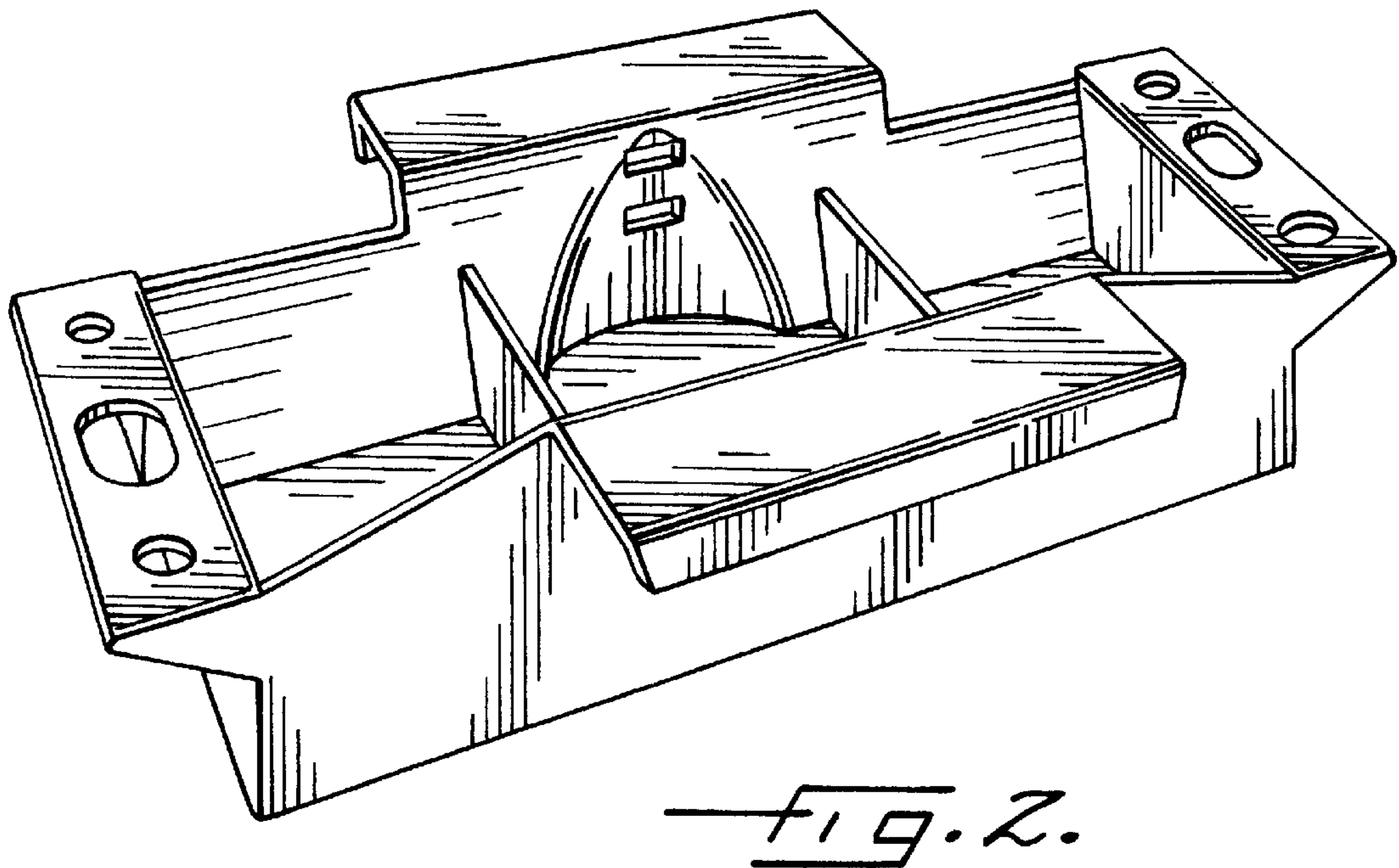
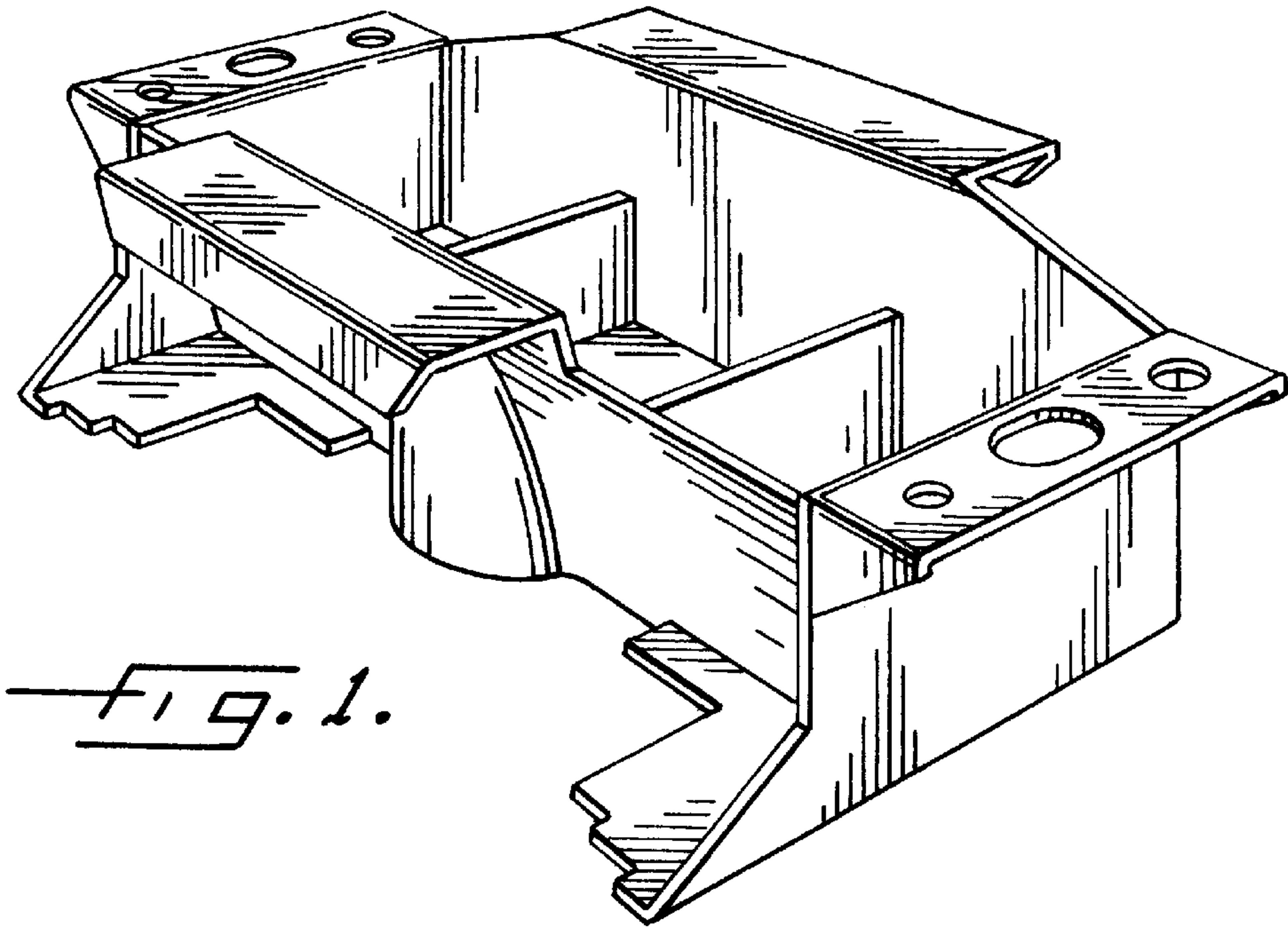
FIG. 13 is a rear elevation view of the tool caddy of FIG. 8;

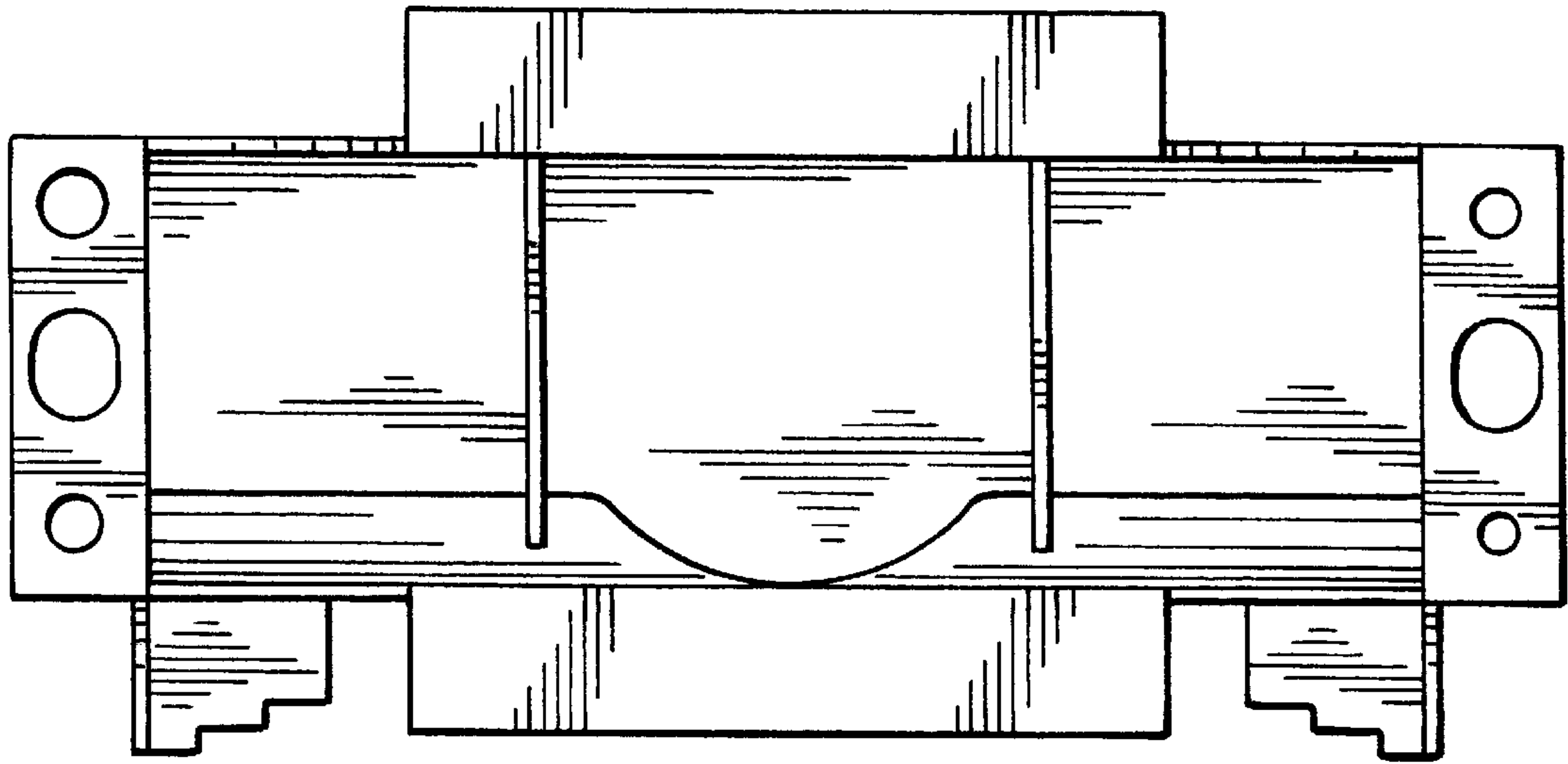
and,

FIG. 14 is a side elevation view of the tool caddy of FIG. 8. The broken lines shown herein are for illustrative purposes only and form no part of the claimed design.

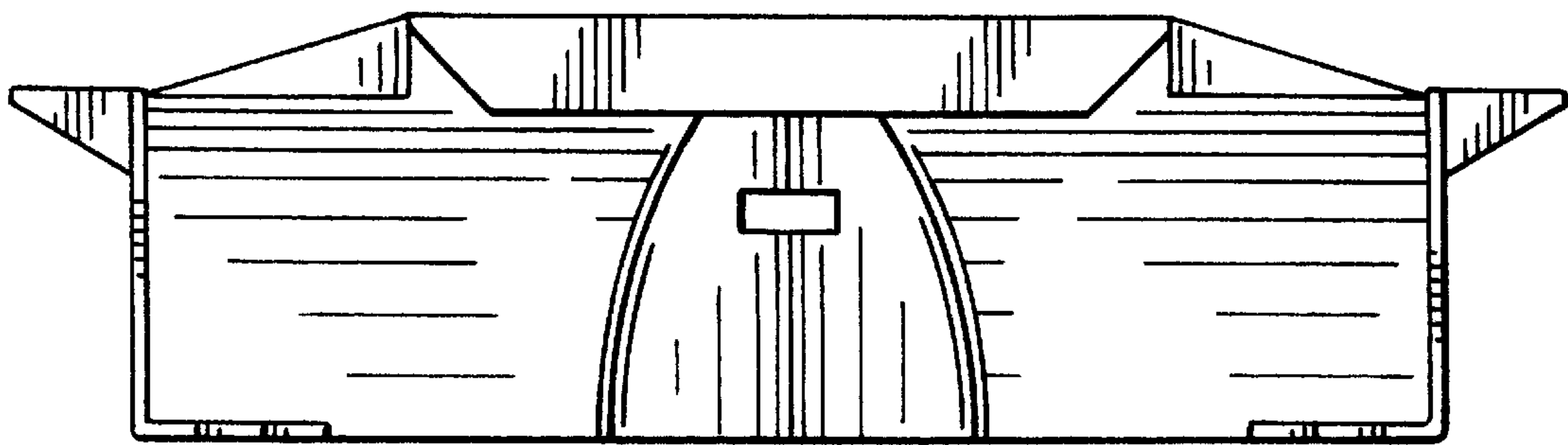
1 Claim, 6 Drawing Sheets



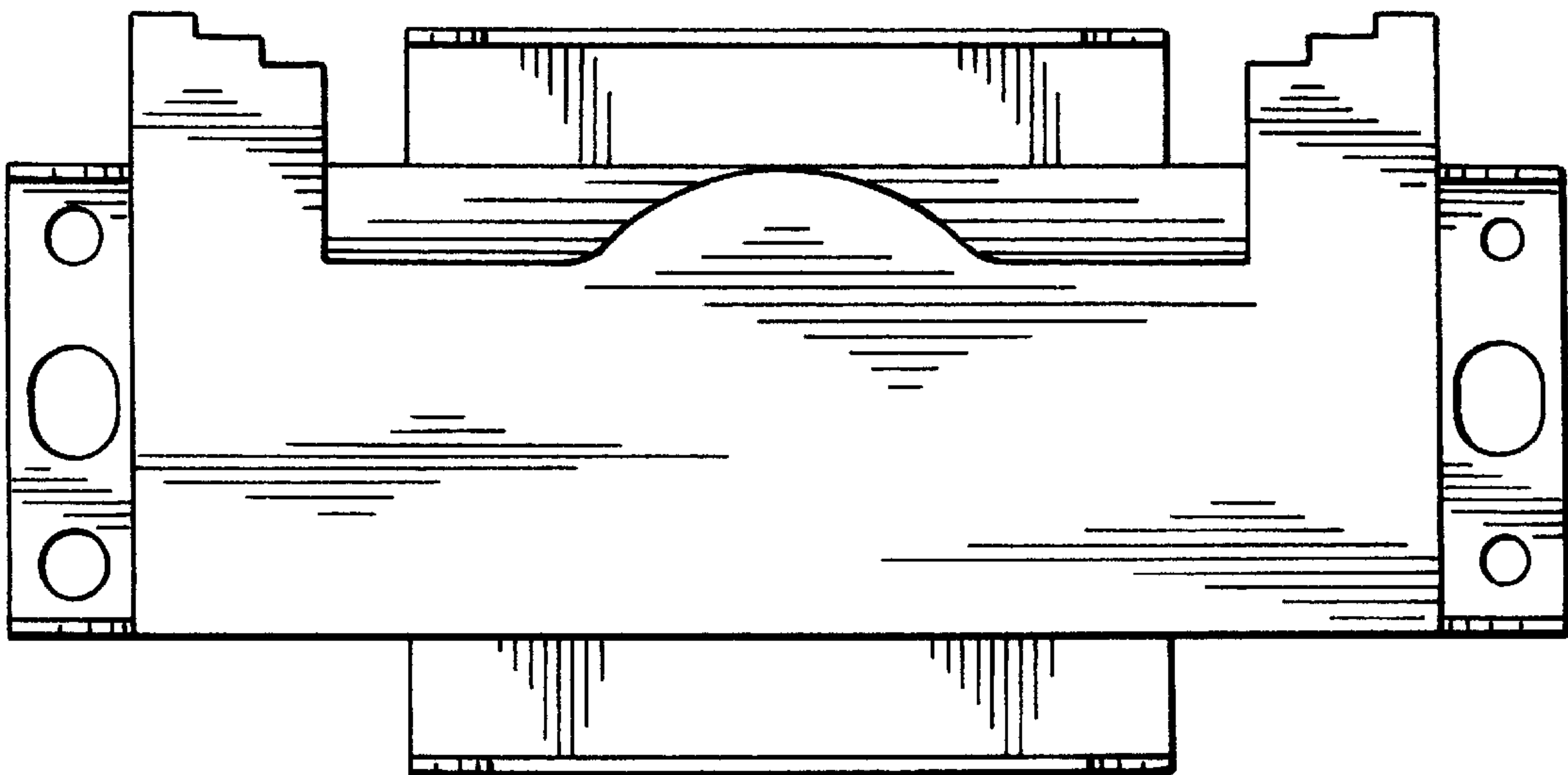




—FIG. 3.



—FIG. 4.



—FIG. 5.

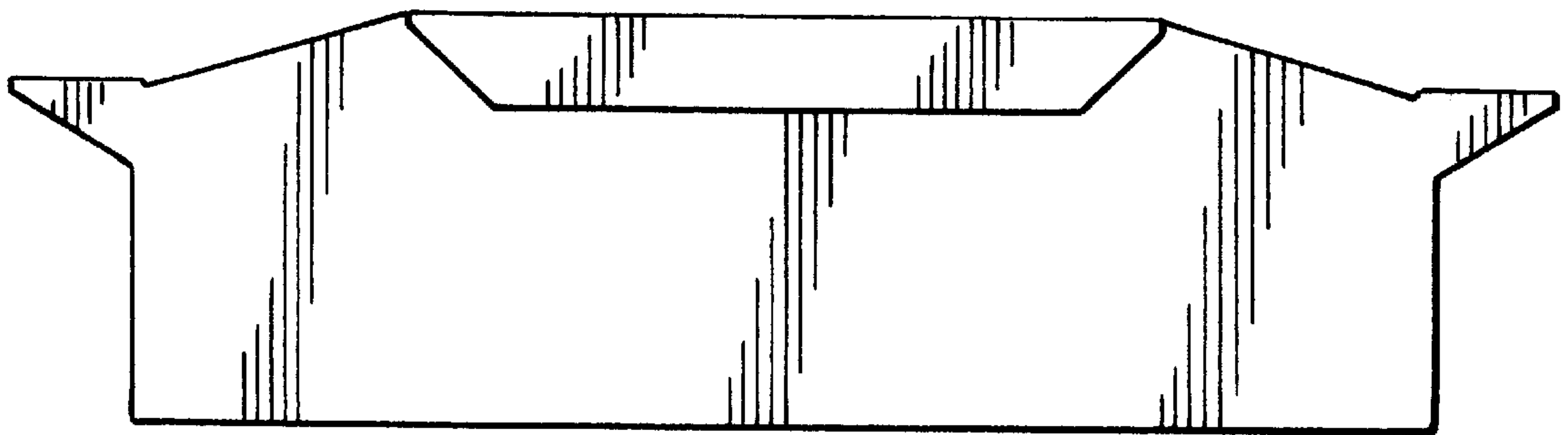


FIG. 6.

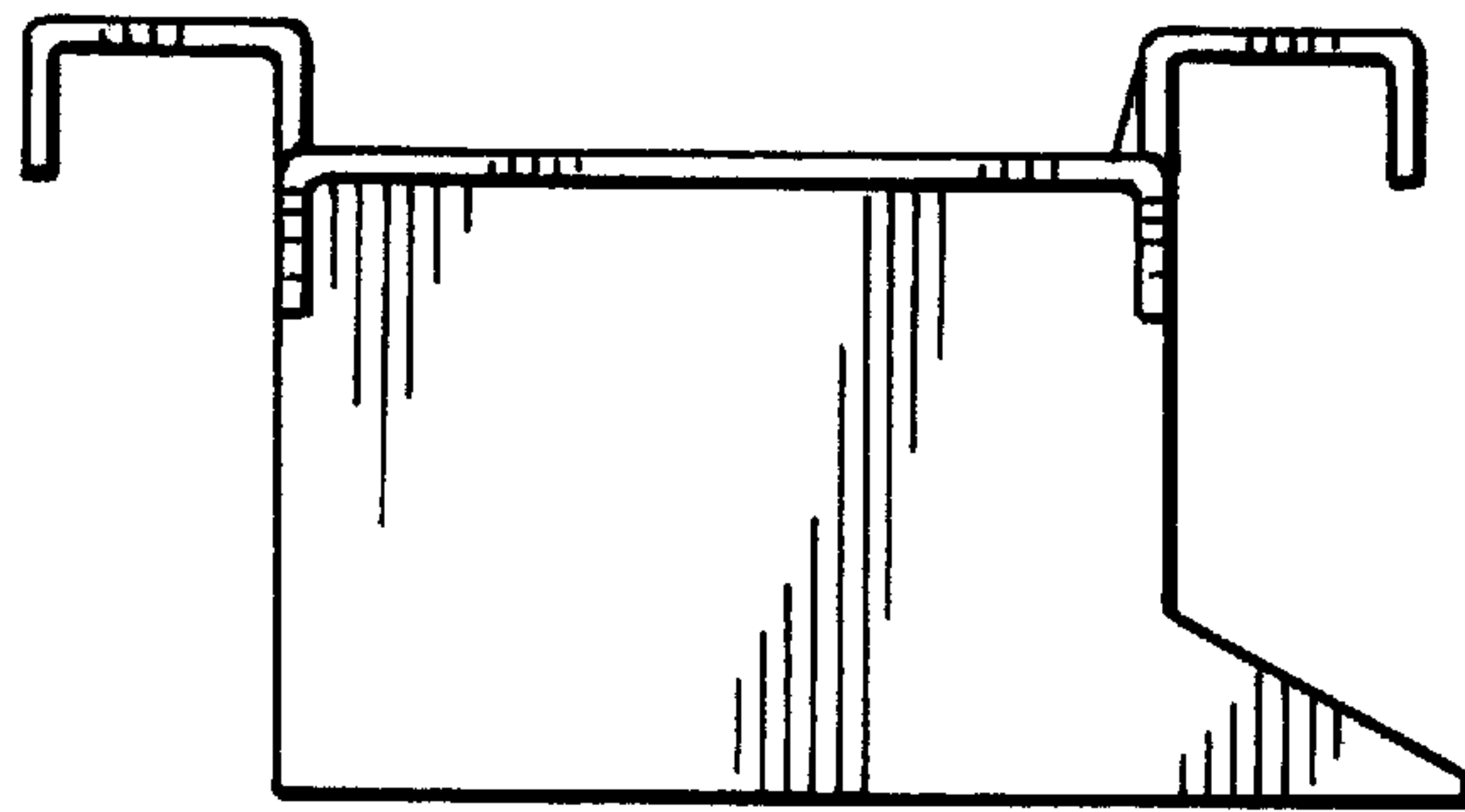
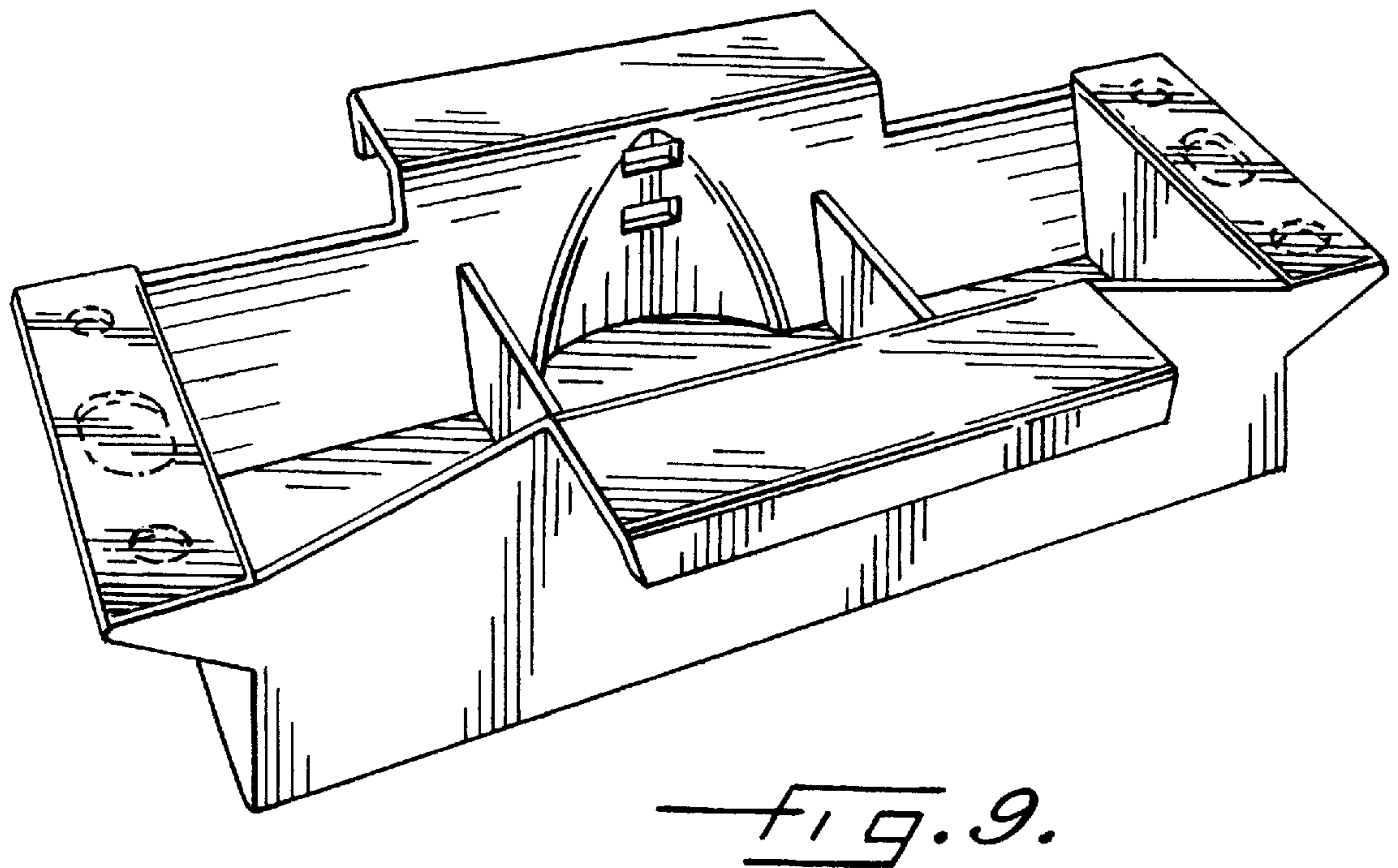
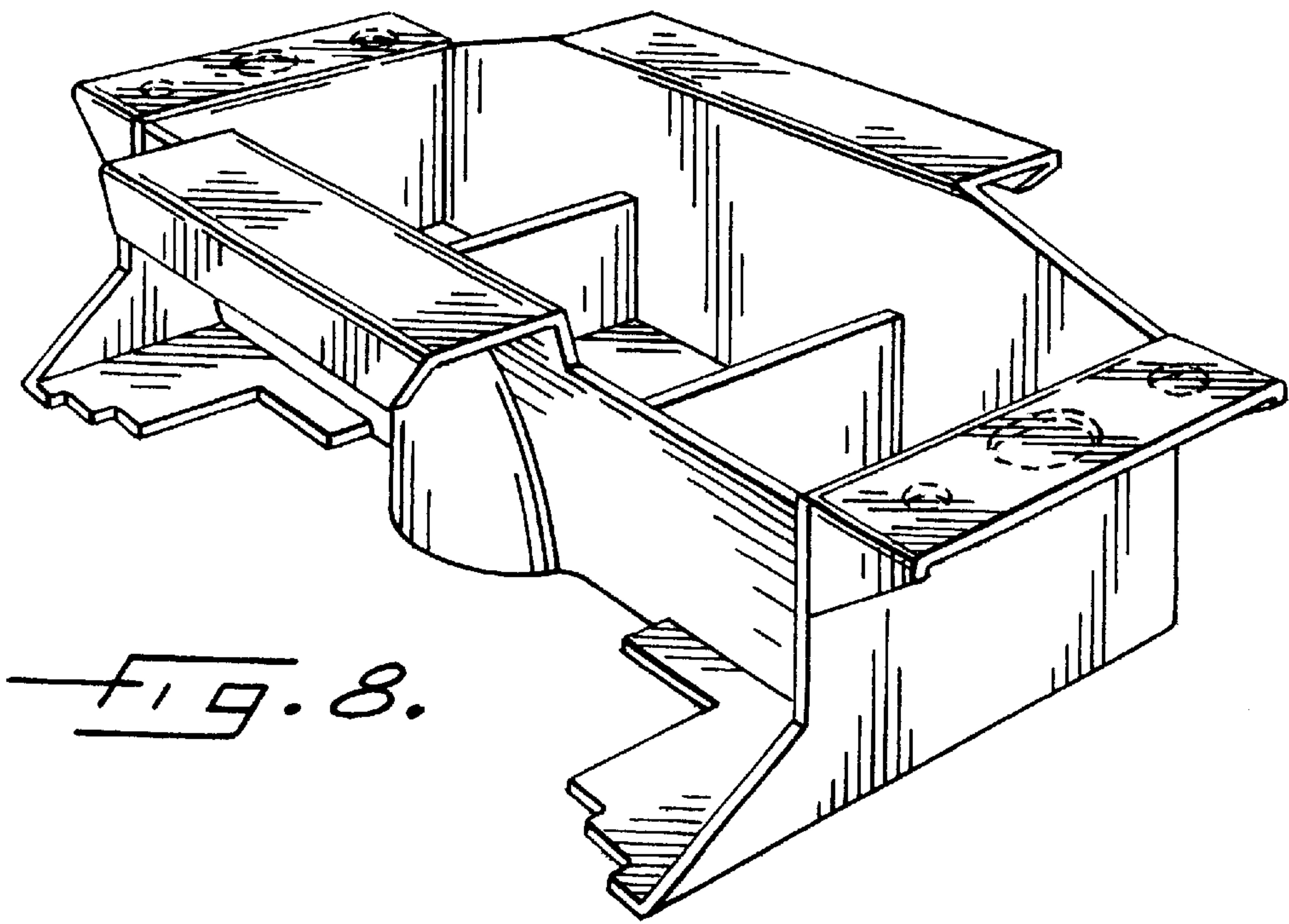
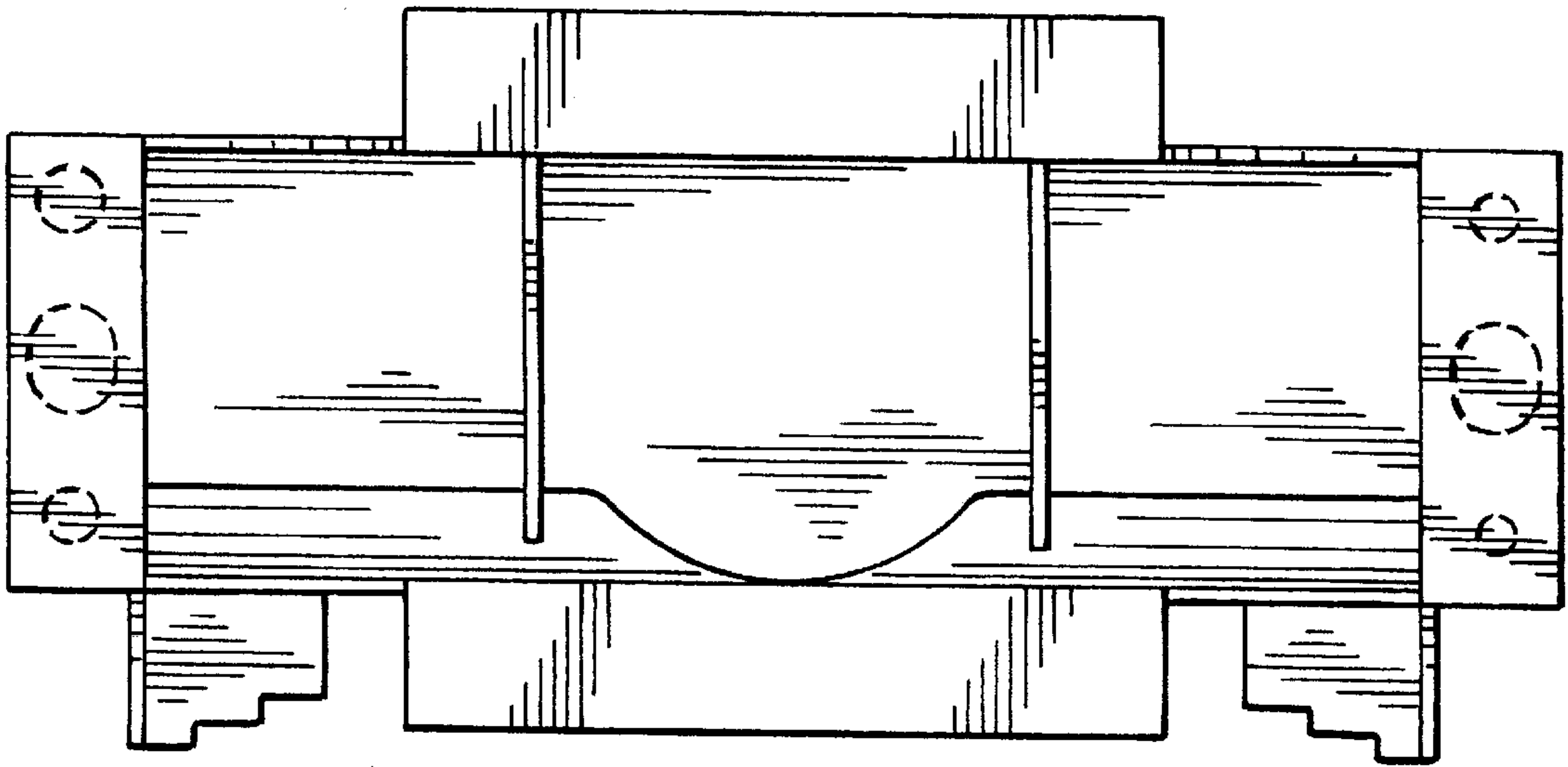
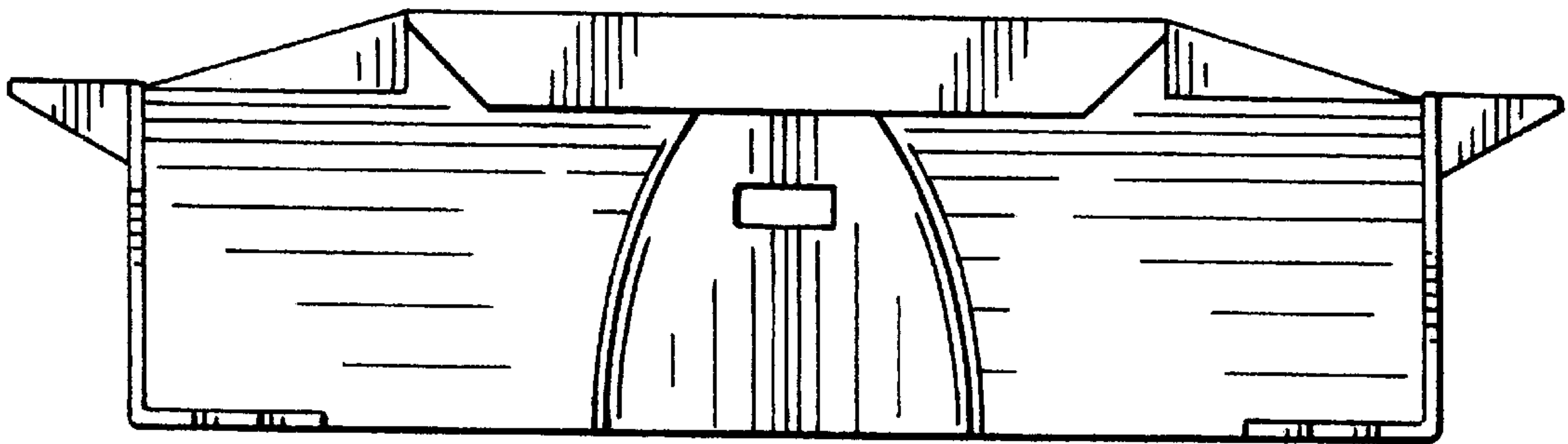


FIG. 7.

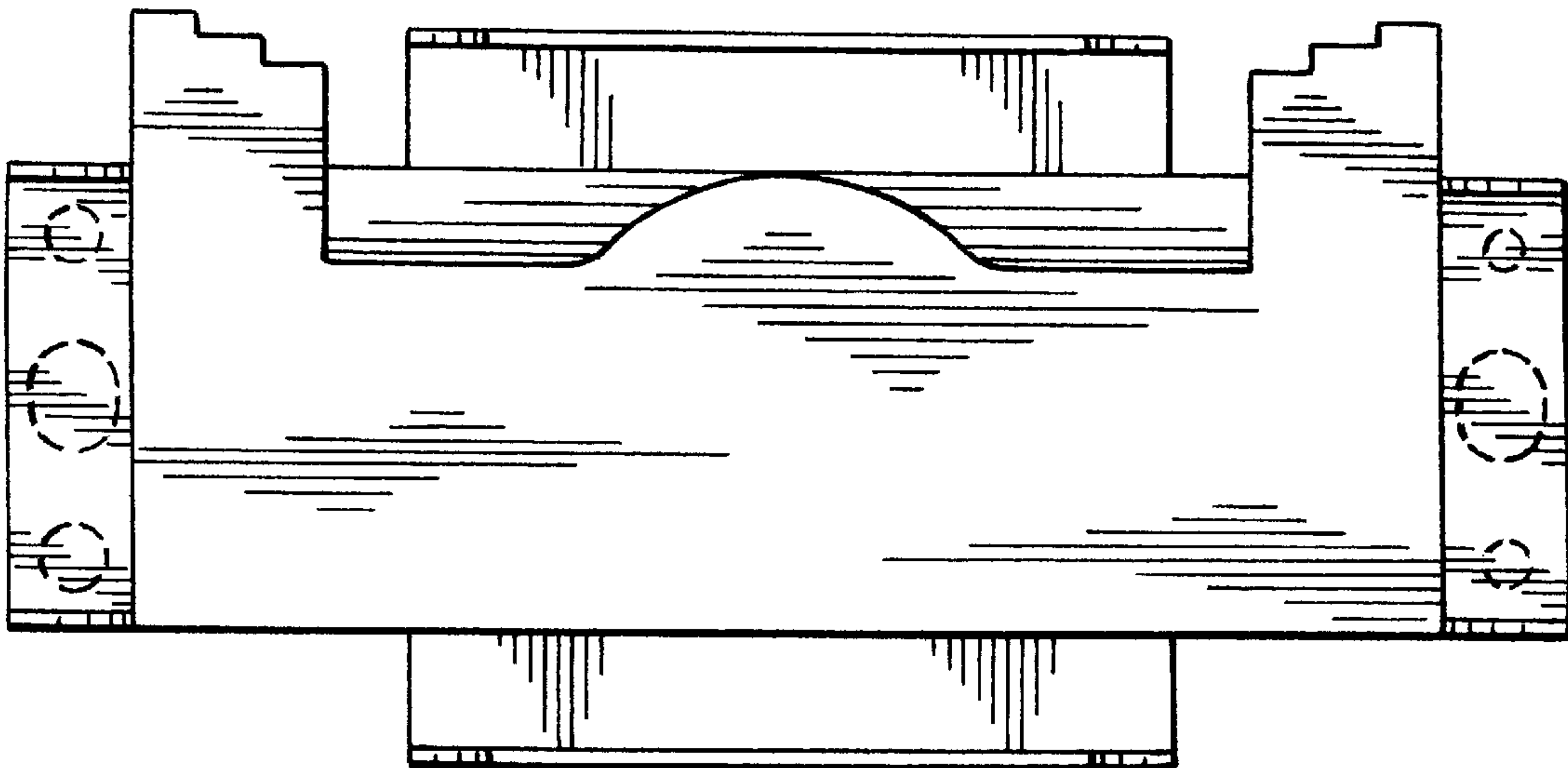




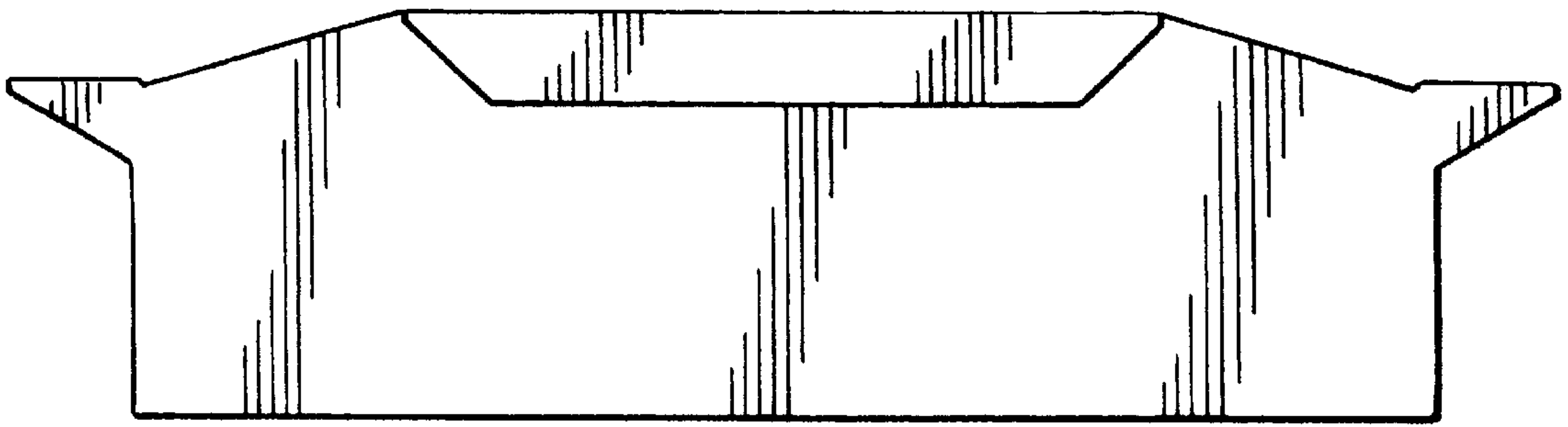
—FIG. 10.



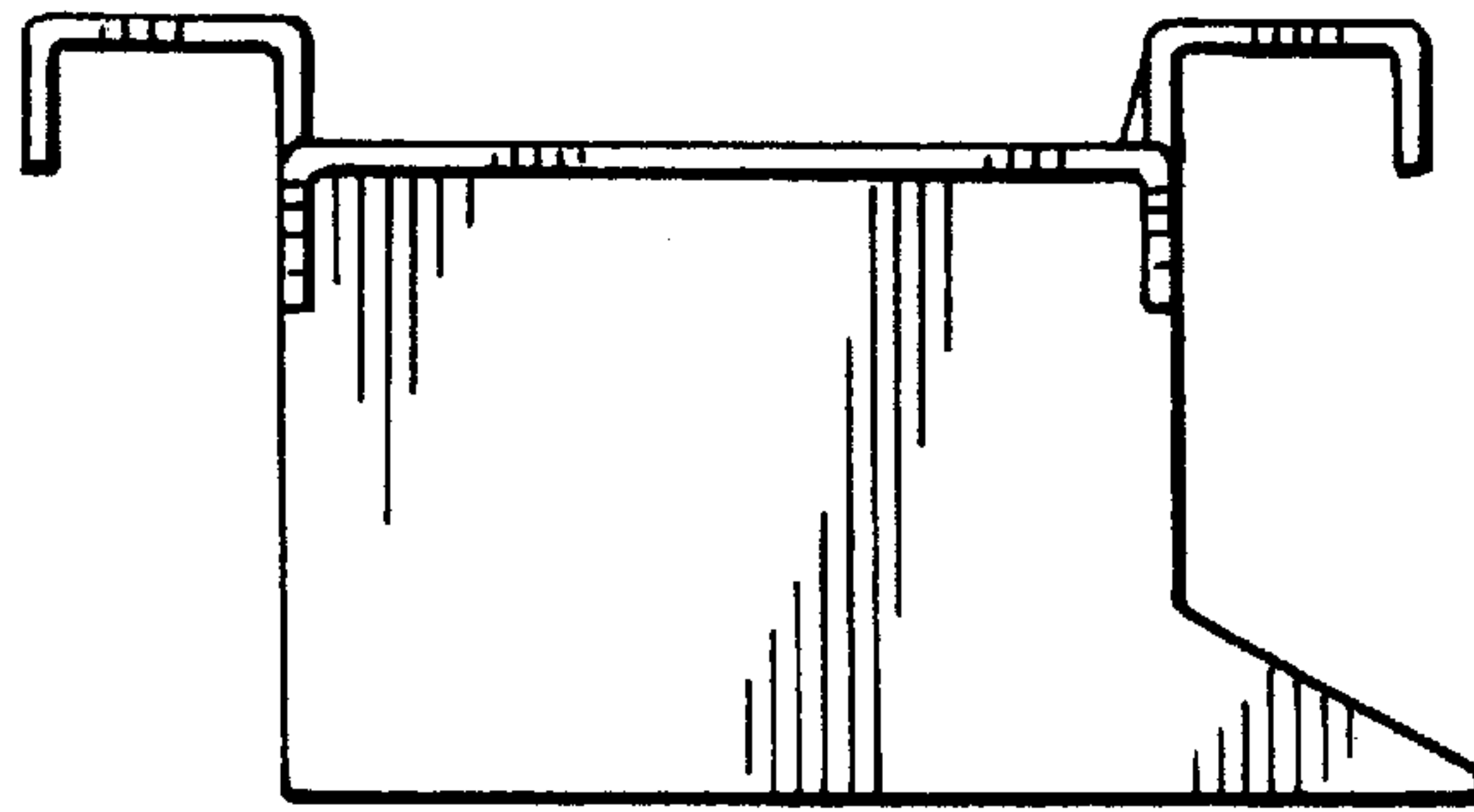
—FIG. 11.



—FIG. 12.



— FIG. 13.



— FIG. 14.