



US00D484249S

(12) **United States Design Patent**
Michael et al.

(10) **Patent No.:** **US D484,249 S**

(45) **Date of Patent:** **** Dec. 23, 2003**

(54) **TOP OR BOTTOM RAIL FOR OUTDOOR RAILING SYSTEMS**

(75) Inventors: **Steven W. Michael**, Greer, SC (US);
John M. Pastore, Greer, SC (US);
James R. Hall, Jr., Lyman, SC (US)

(73) Assignee: **Spartanburg Forest Products, Inc.**,
Greer, SC (US)

(**) Term: **14 Years**

(21) Appl. No.: **29/173,660**

(22) Filed: **Jan. 3, 2003**

Related U.S. Application Data

(60) Division of application No. 29/131,316, filed on Oct. 18, 2000, now Pat. No. Des. 468,443, which is a continuation-in-part of application No. 29/113,620, filed on Nov. 9, 1999, now Pat. No. Des. 454,960.

(51) **LOC (7) Cl.** **25-02**

(52) **U.S. Cl.** **D25/38**

(58) **Field of Search** D25/38, 43, 42,
D25/126; 256/59, 65

(56) **References Cited**

U.S. PATENT DOCUMENTS

| | | |
|-----------|--------|---------|
| 172,613 A | 1/1876 | Crowell |
| 206,384 A | 7/1878 | Young |
| 300,115 A | 6/1884 | Obert |

(List continued on next page.)

FOREIGN PATENT DOCUMENTS

| | | |
|----|---------|---------|
| DE | 2026869 | 12/1971 |
| DK | 92088 | 10/1961 |
| GB | 1970 | 7/1870 |
| GB | 393697 | 2/1932 |

OTHER PUBLICATIONS

Drawing of admitted prior art Rail Cap Device, undated.

Primary Examiner—Doris Clark

(74) *Attorney, Agent, or Firm*—Dority & Manning

(57) **CLAIM**

The ornamental design of a top or bottom rail for outdoor railing systems, substantially as shown and described.

DESCRIPTION

FIG. 1 is a top view of a top or bottom rail for outdoor railing systems in accordance with the invention.

FIG. 2 is a side view of the top or bottom rail as illustrated in FIG. 1.

FIG. 3 is a view of the inwardly disposed face of the top or bottom rail illustrated in FIG. 1.

FIG. 4 is an end view of the top or bottom rail illustrated in FIG. 1.

FIG. 5 is an enlarged end view of the top or bottom rail illustrated in FIG. 1.

FIG. 6 is a perspective view of the top or bottom rail illustrated in FIG. 1 particularly illustrating the profile and inwardly disposed face thereof.

FIG. 7 is a perspective view of the top or bottom rail illustrated in FIG. 1 particularly illustrating the profile and upper surface thereof.

FIG. 8 is a top view of a second embodiment of a top or bottom rail for outdoor railing systems in accordance with the invention.

FIG. 9 is a side view of the top or bottom rail as illustrated in FIG. 8.

FIG. 10 is a view of the inwardly disposed face of the top or bottom rail illustrated in FIG. 8.

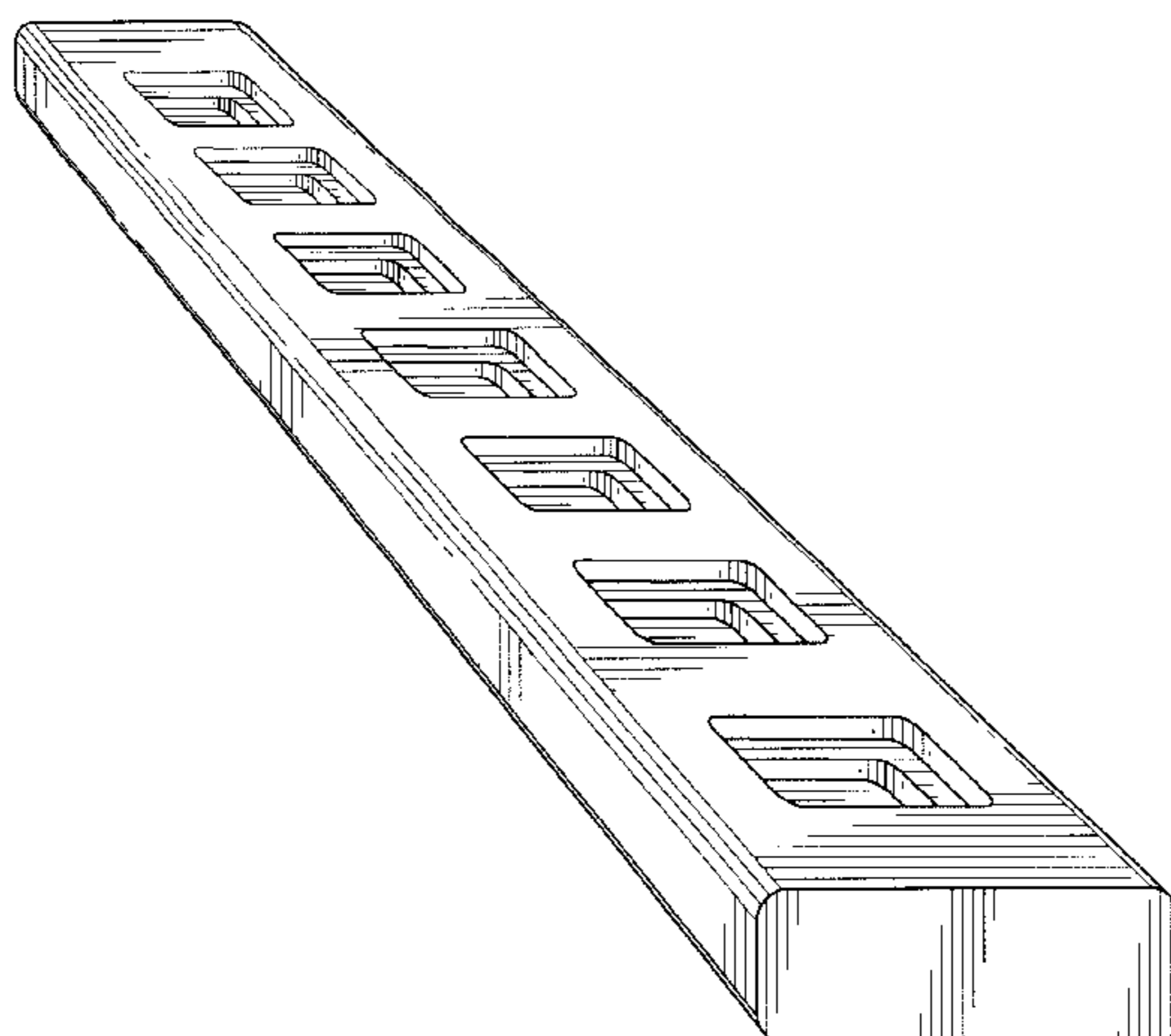
FIG. 11 is an end view of the top or bottom rail illustrated in FIG. 8.

FIG. 12 is an enlarged end view of the top or bottom rail illustrated in FIG. 8.

FIG. 13 is a perspective view of the top or bottom rail illustrated in FIG. 8 particularly illustrating the profile and inwardly disposed face thereof; and,

FIG. 14 is a perspective view of the top or bottom rail illustrated in FIG. 8 particularly illustrating the profile and upper surface thereof.

1 Claim, 6 Drawing Sheets



US D484,249 S

Page 2

U.S. PATENT DOCUMENTS

| | | | | | |
|-------------|---------|-----------------|-------------|---------|----------------|
| 341,969 A | 5/1886 | Walker | 4,421,302 A | 12/1983 | Grimm et al. |
| 1,353,073 A | 9/1920 | Schivins | 4,523,419 A | 6/1985 | Palacio et al. |
| 1,691,663 A | 11/1928 | Morris | 4,533,121 A | 8/1985 | Basey |
| 1,871,594 A | 8/1932 | Duschscher | 5,035,401 A | 7/1991 | Solter |
| 2,588,147 A | 3/1952 | Morris | 5,056,283 A | 10/1991 | Sapinski |
| 2,918,261 A | 12/1959 | Bergeron | D344,142 S | 2/1994 | Bass |
| 3,218,036 A | 11/1965 | Kozub | 5,572,845 A | 11/1996 | DeSouza |
| 3,668,828 A | 6/1972 | Nicholas et al. | 5,625,987 A | 5/1997 | Zamerovsky |
| 3,975,000 A | 8/1976 | Sado | 5,695,175 A | 12/1997 | Hawkins |
| 4,027,855 A | 6/1977 | Lauzier | 5,964,072 A | 10/1999 | Rasmussen |
| 4,035,978 A | 7/1977 | Bajorek et al. | D421,654 S | 3/2000 | Michael et al. |
| 4,408,749 A | 10/1983 | Zieg | 6,164,629 A | 12/2000 | Michael et al. |

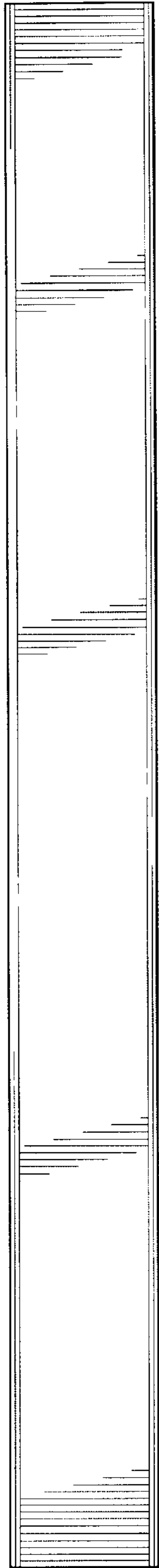


FIG. 1.



FIG. 2.

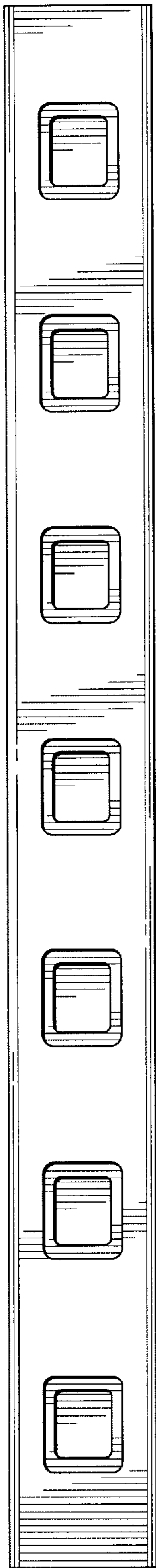


FIG. 3.

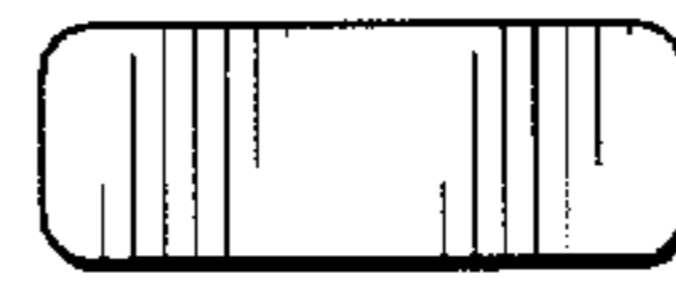


FIG. 4.

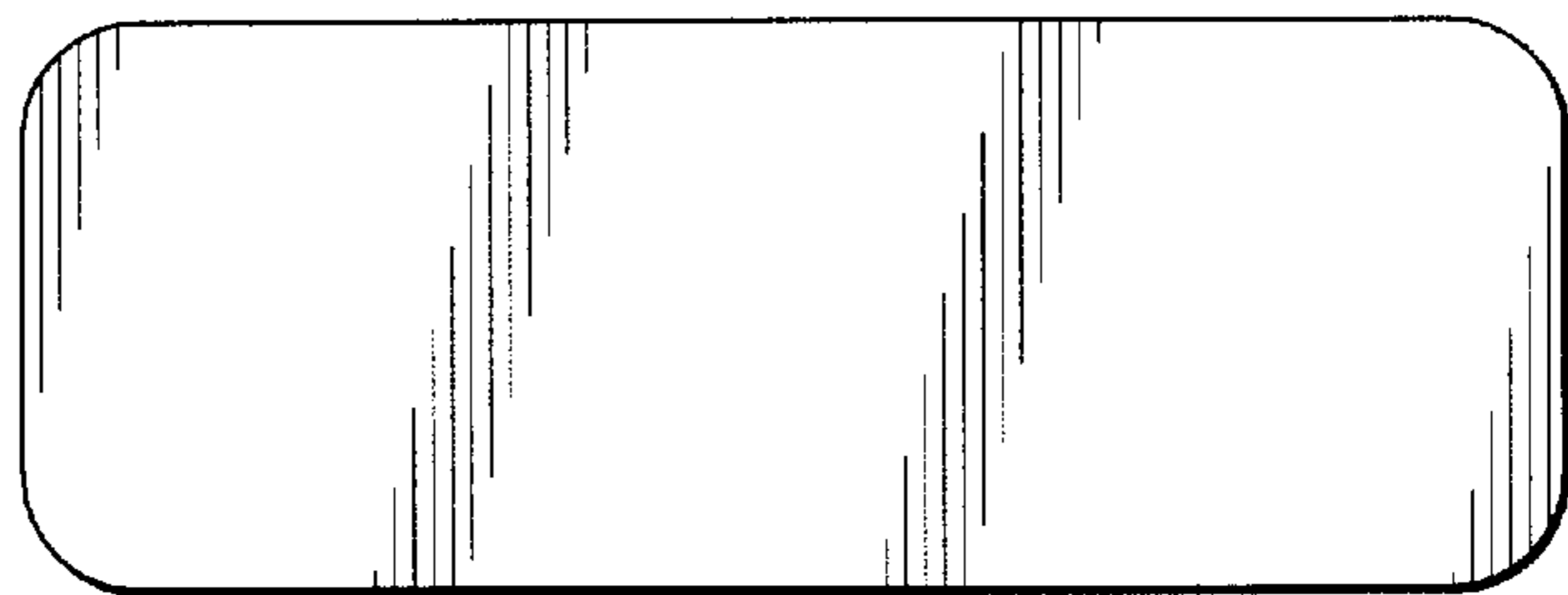


FIG. 5.

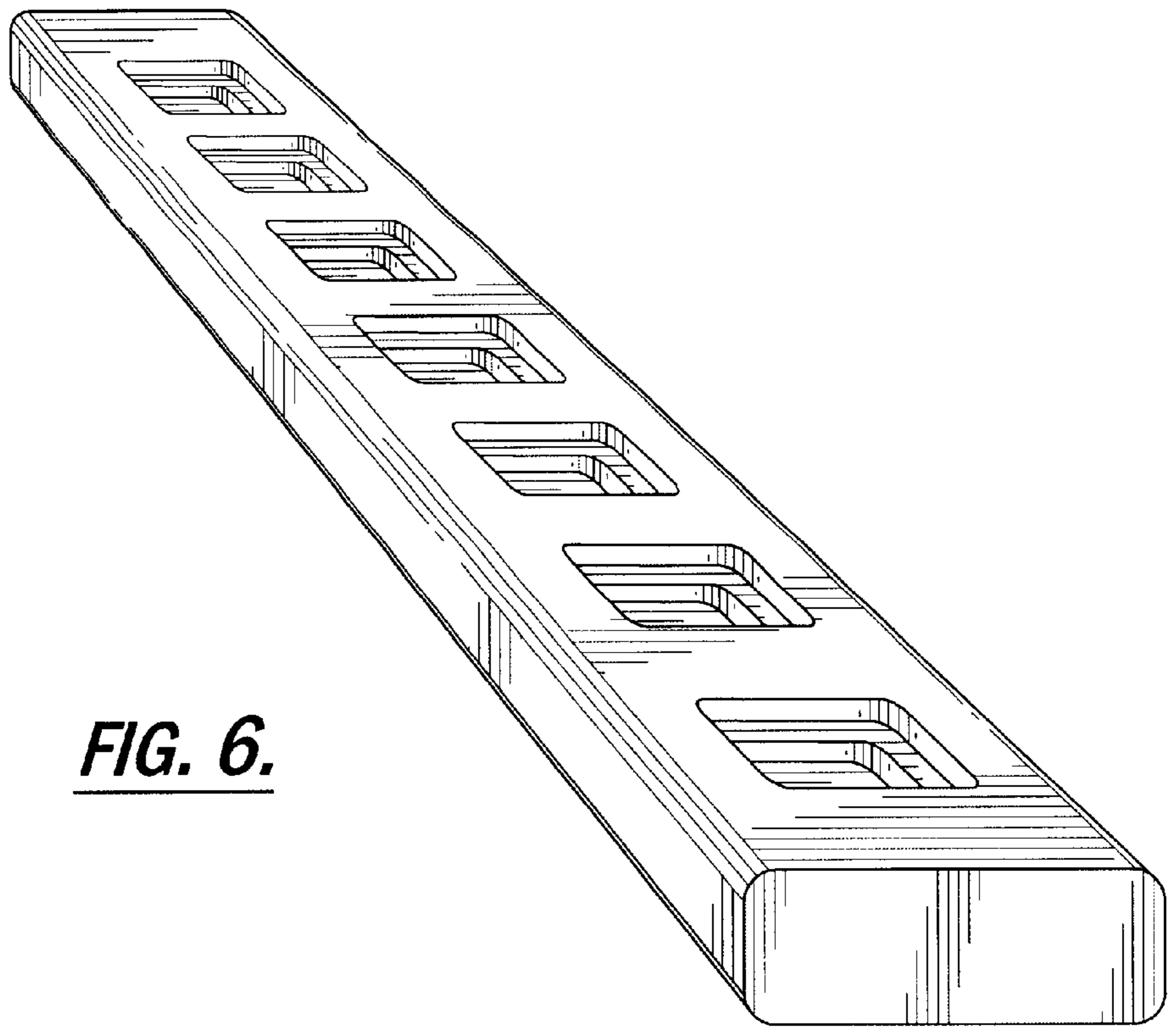


FIG. 6.

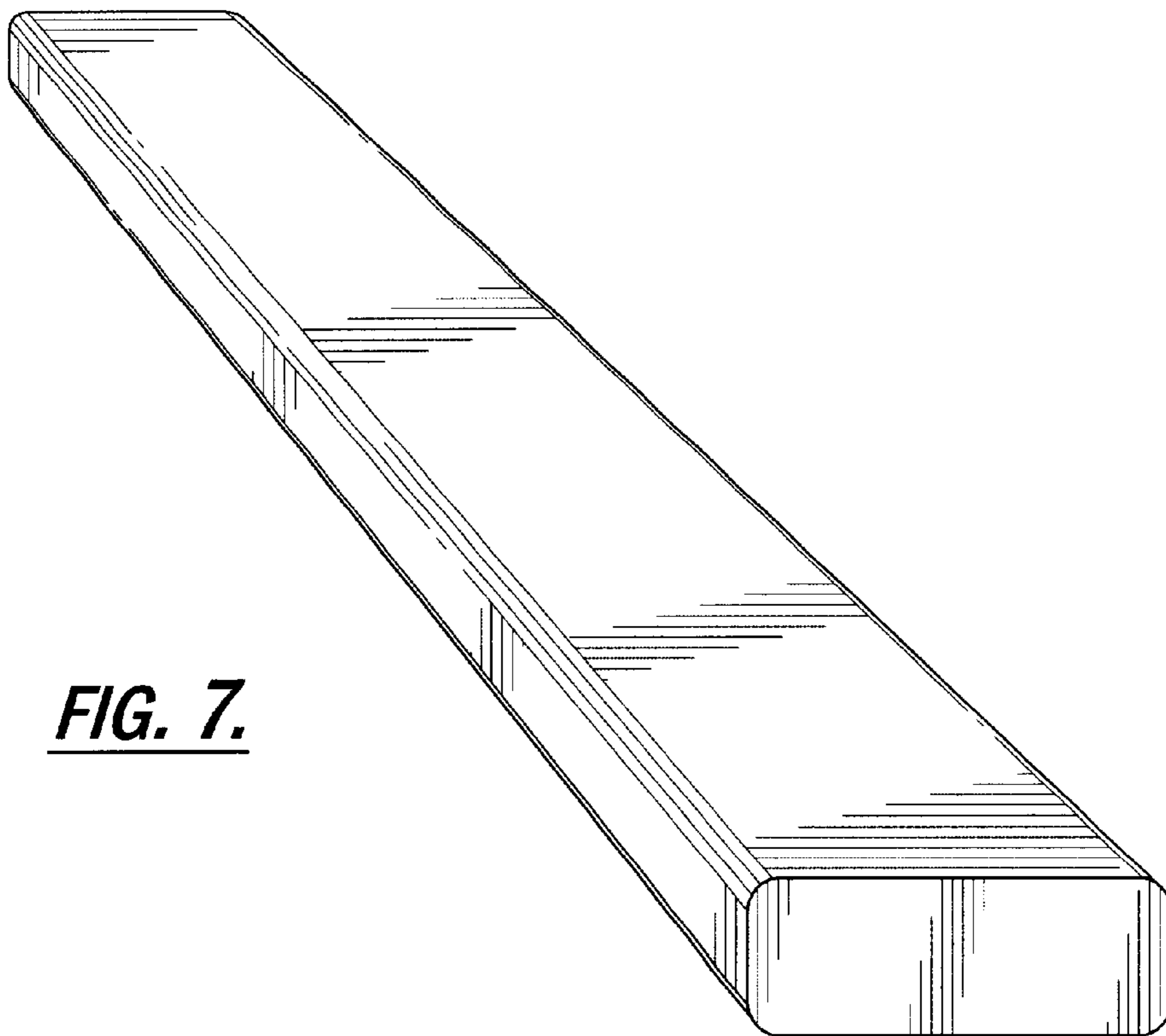


FIG. 7.

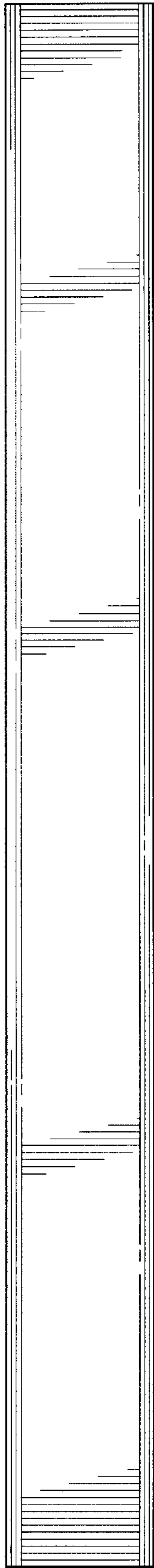


FIG. 8.

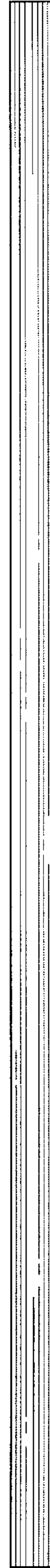


FIG. 9.

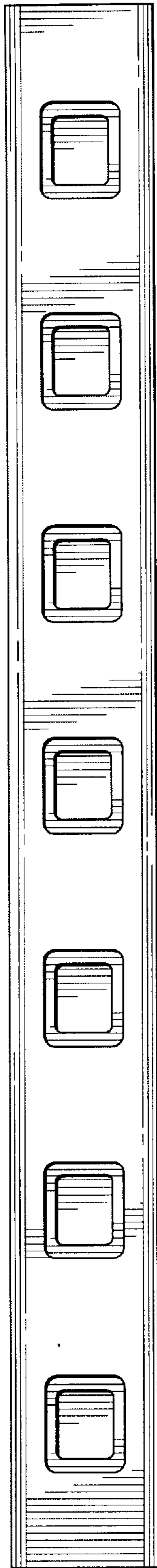


FIG. 10.



FIG. 11.

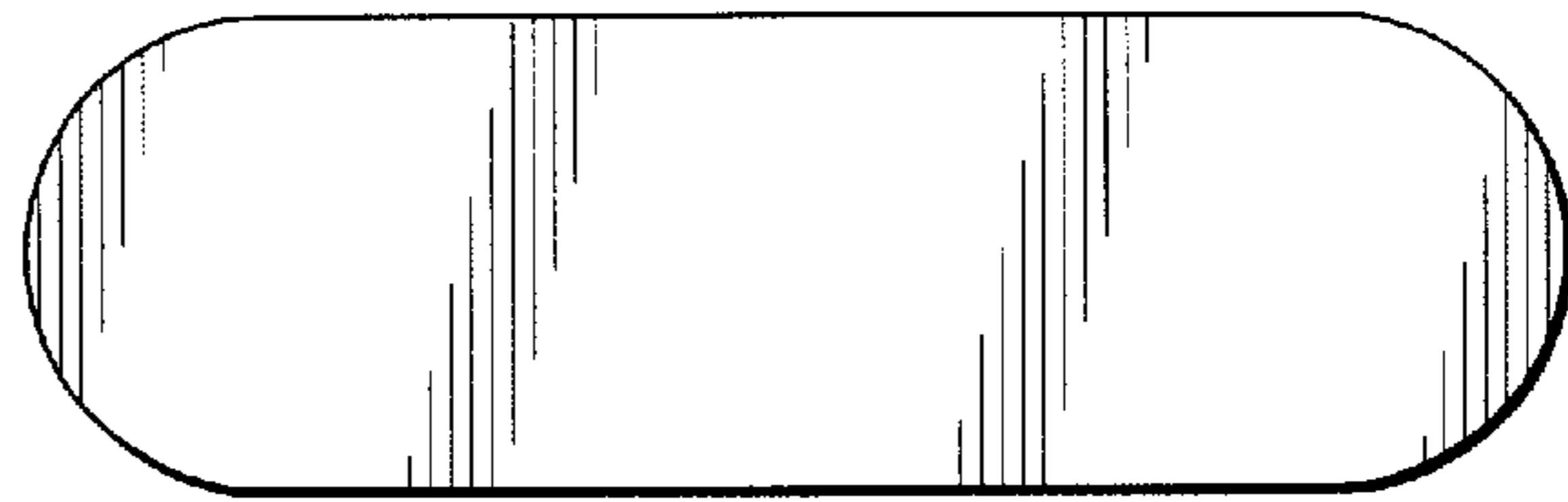


FIG. 12.

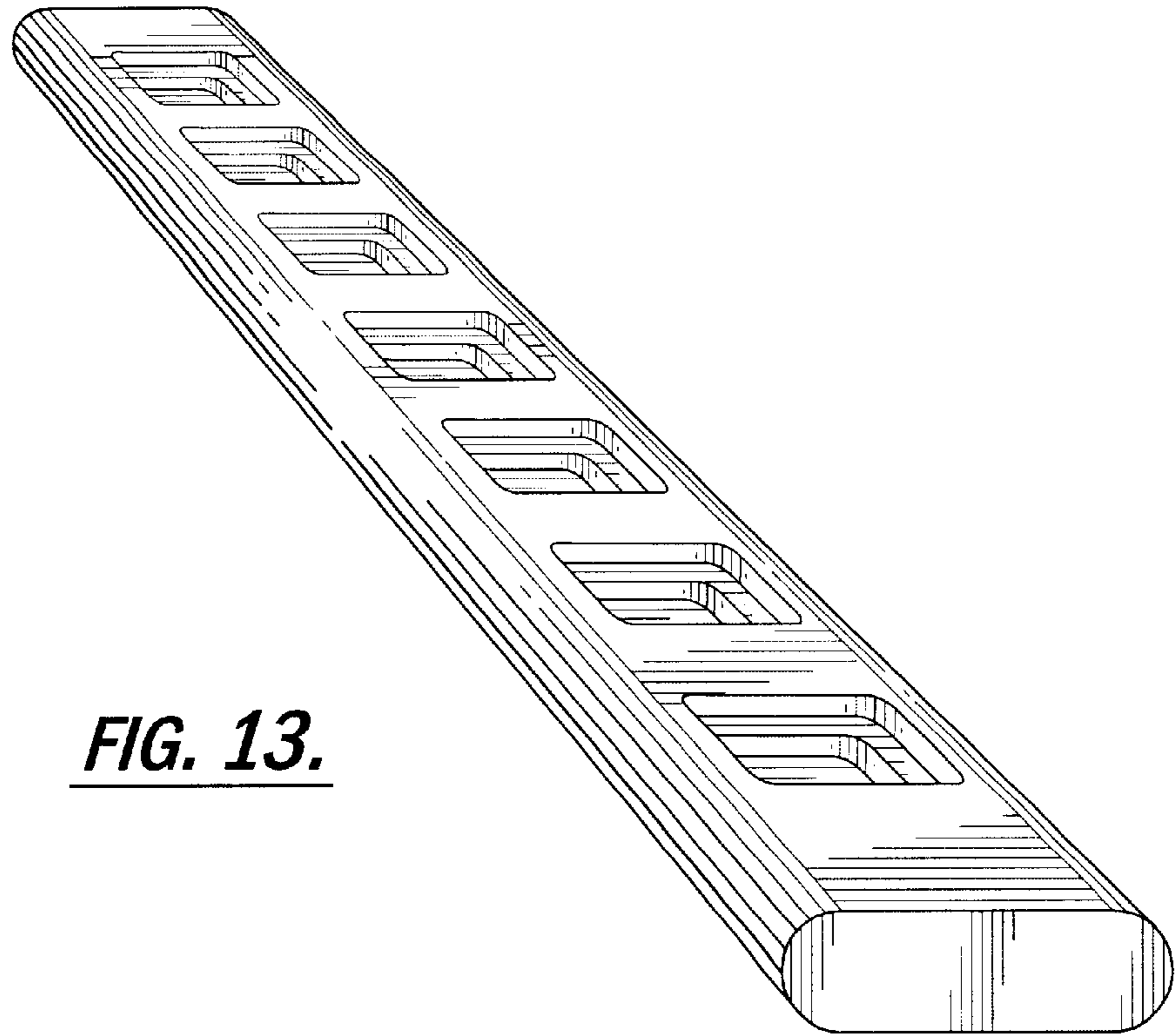


FIG. 13.

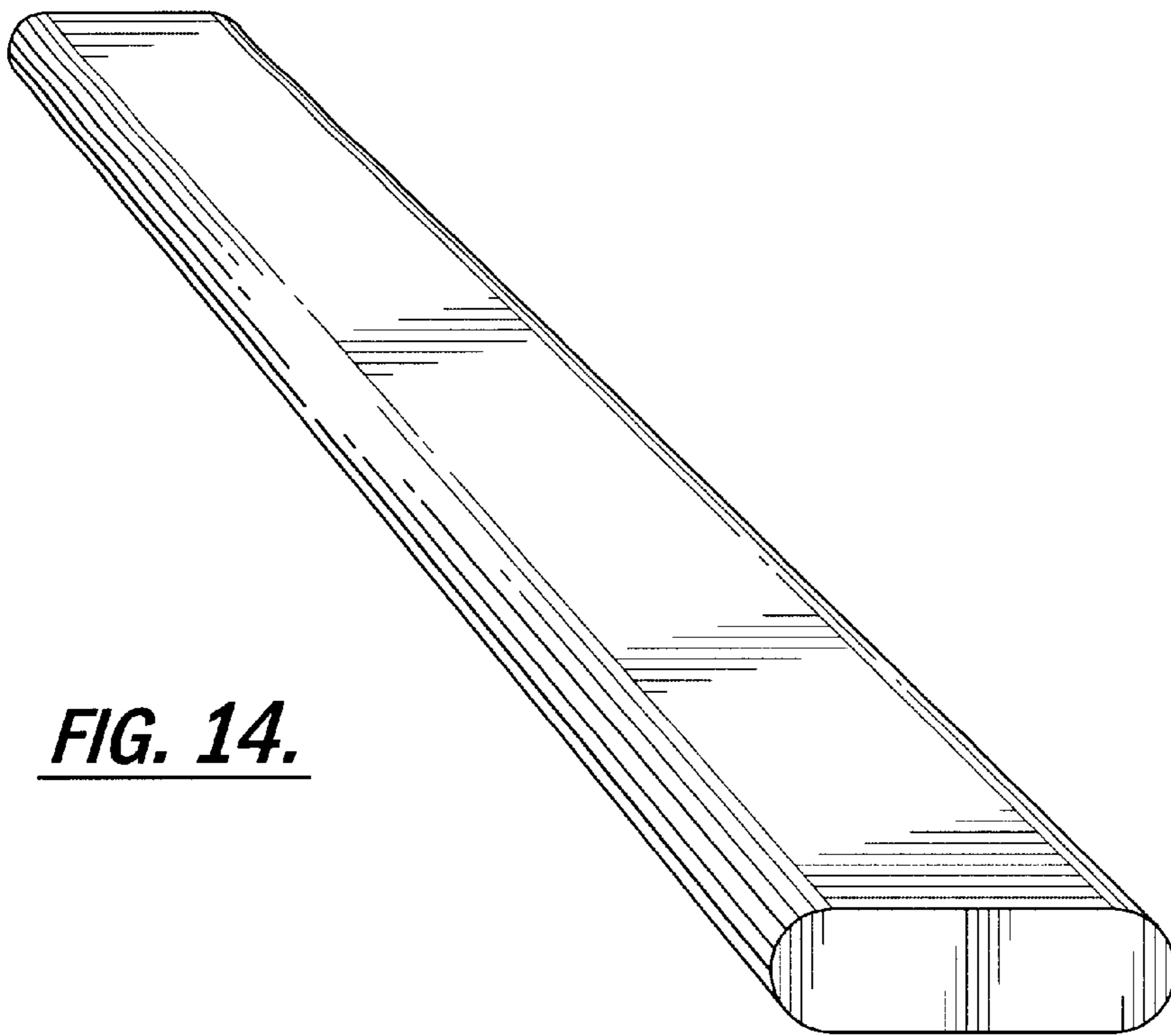


FIG. 14.