



US00D484246S

(12) **United States Design Patent**
Lee et al.

(10) **Patent No.:** **US D484,246 S**

(45) **Date of Patent:** **** Dec. 23, 2003**

(54) **PROGRAMMER FOR A THERAPEUTIC MEDICAL DEVICE**

(75) Inventors: **David Warren Lee**, Apple Valley, MN (US); **William Hastings Wurz**, San Francisco, CA (US)

(73) Assignee: **Medtronic, Inc.**, Minneapolis, MN (US)

(*) Notice: This patent is subject to a terminal disclaimer.

(**) Term: **14 Years**

(21) Appl. No.: **29/161,003**

(22) Filed: **May 17, 2002**

(51) **LOC (7) Cl.** **24-01**

(52) **U.S. Cl.** **D24/186**

(58) **Field of Search** D24/186, 188, D24/200; 607/30, 31, 32, 46, 59, 60

(56) **References Cited**

U.S. PATENT DOCUMENTS

4,233,985	A	*	11/1980	Hartlaub et al.	607/30
4,365,633	A	*	12/1982	Loughman et al.	607/30
4,550,370	A	*	10/1985	Baker	607/31
4,958,632	A	*	9/1990	Duggan	607/11
5,336,245	A	*	8/1994	Adams et al.	607/32

D361,555 S * 8/1995 Erickson et al. D24/155

* cited by examiner

Primary Examiner—Stella Reid

(74) *Attorney, Agent, or Firm*—John W. Albrecht

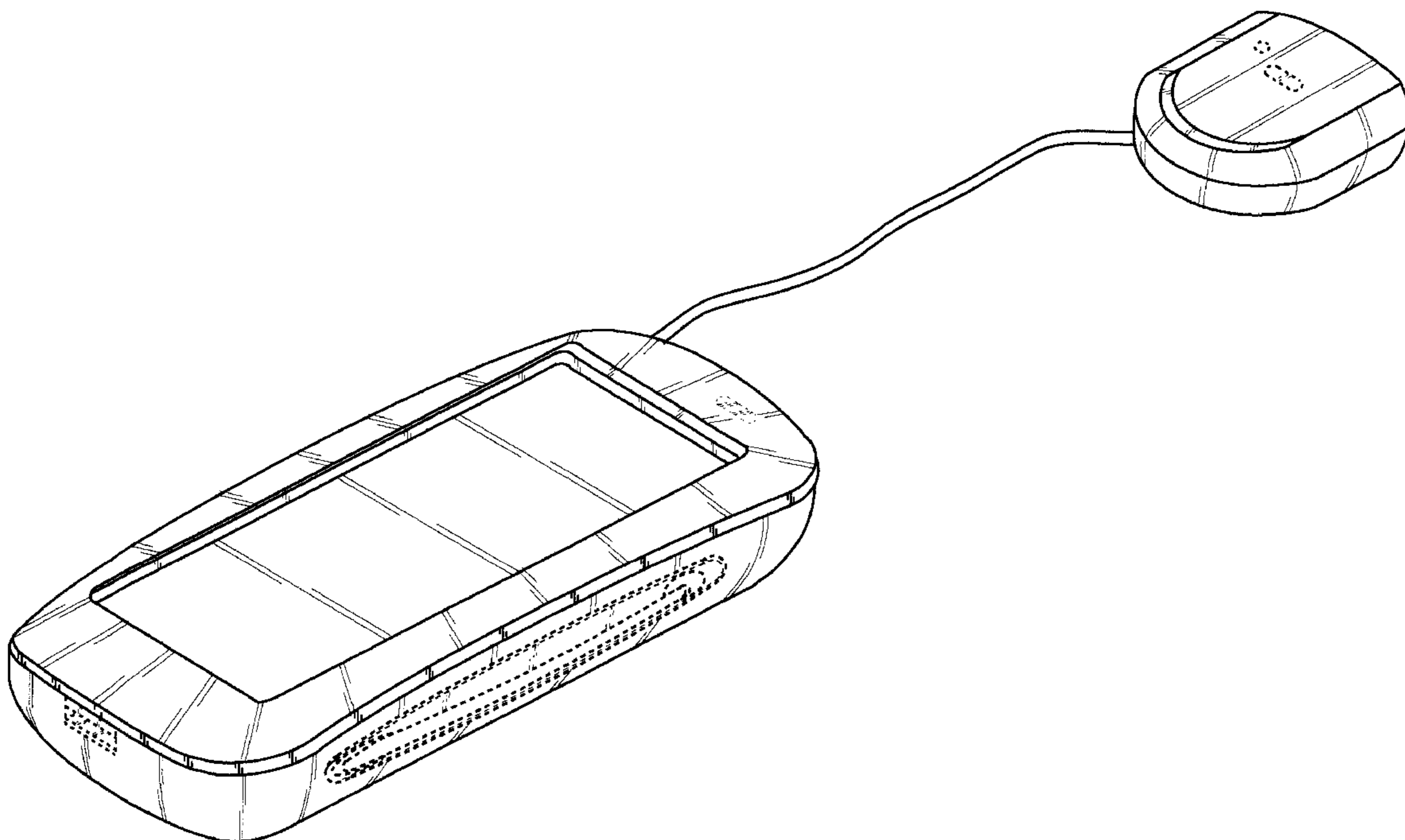
(57) **CLAIM**

The ornamental design for a programmer for a therapeutic medical device, as shown and described.

DESCRIPTION

FIG. 1 is a top perspective view of a programmer for a therapeutic medical device, showing our new design; FIG. 2 is a bottom view thereof; FIG. 3 is a bottom view thereof, with an attachment removed; FIG. 4 is a right side view thereof; FIG. 5 is an end view thereof; FIG. 6 is a top view thereof; FIG. 7 is an end view thereof, opposite that shown in FIG. 5; FIG. 8 is a left side view thereof; FIG. 9 is top perspective view thereof; FIG. 10 is another top perspective view thereof; and, FIG. 11 is a bottom perspective view thereof. The broken lines shown in FIGS. 1–11 are for illustrative purposes only and form no part of the claimed design.

1 Claim, 10 Drawing Sheets



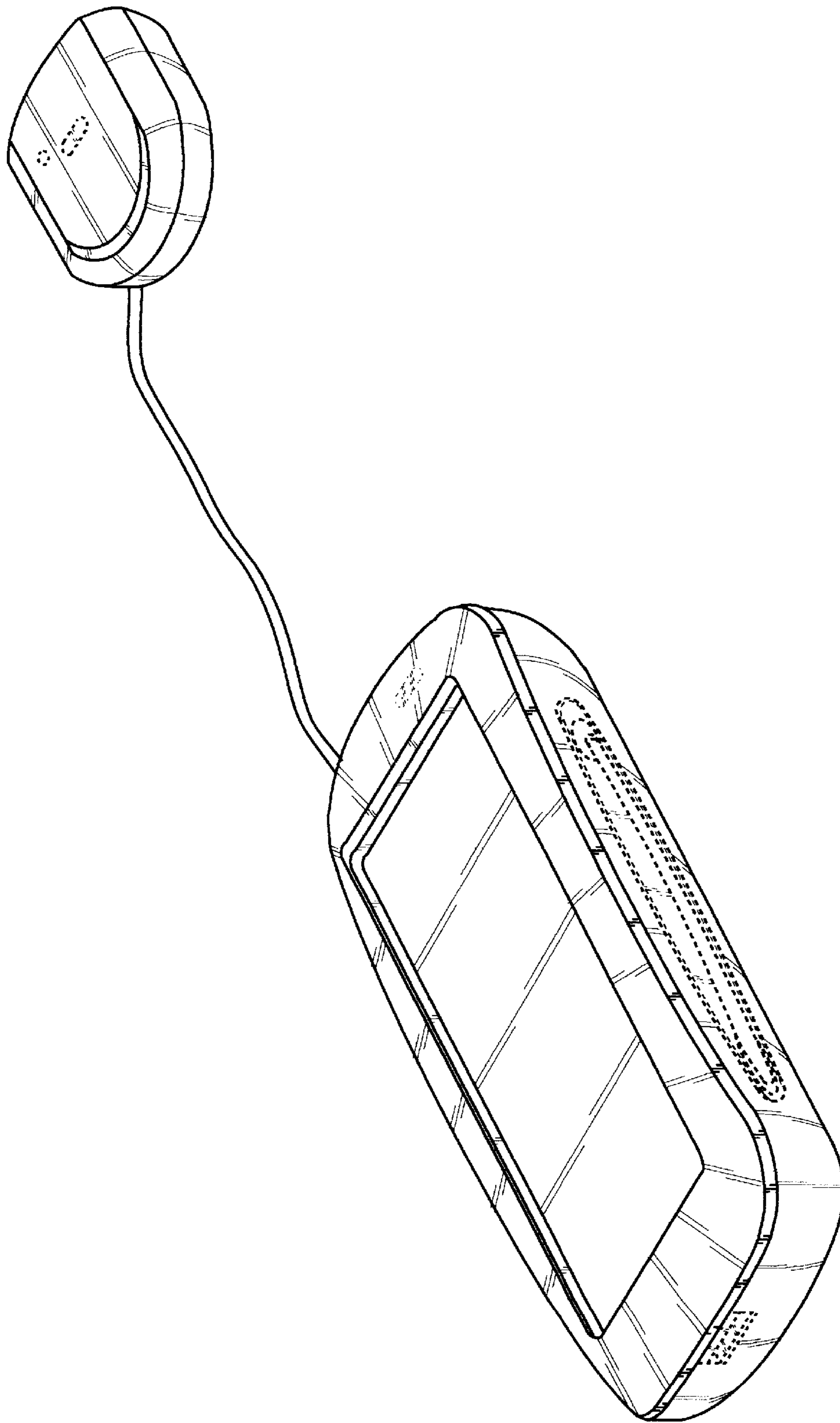


FIG. 1

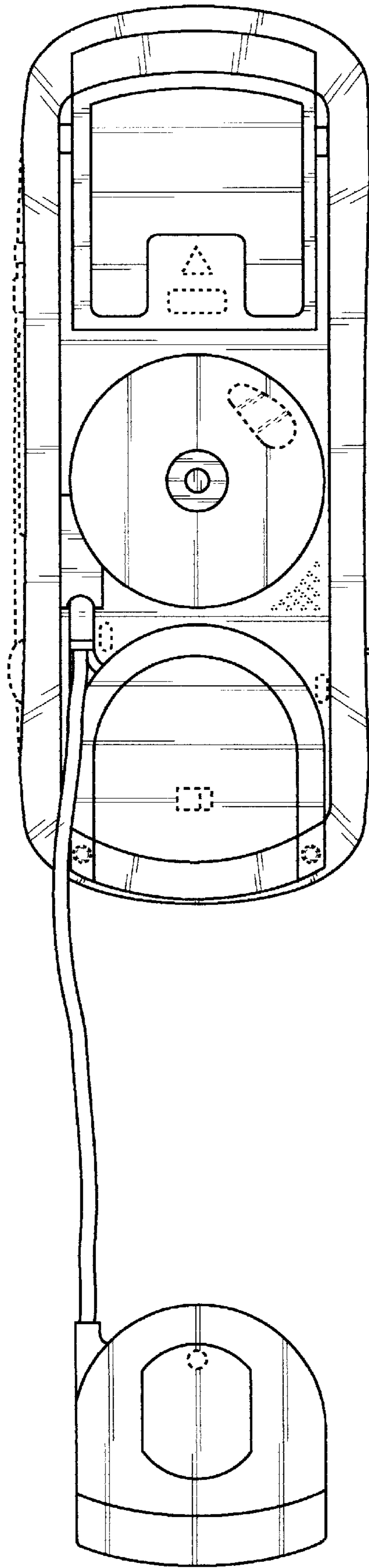


FIG. 2

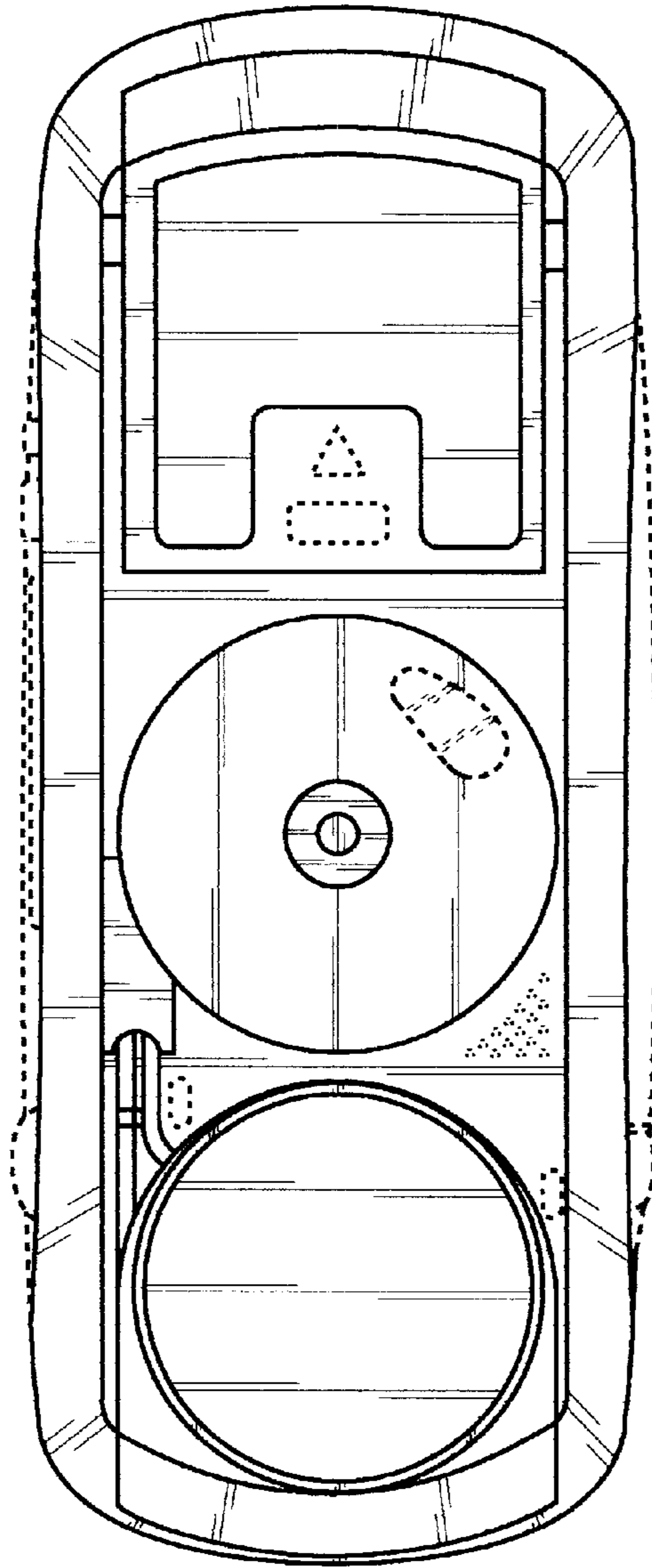


FIG. 3

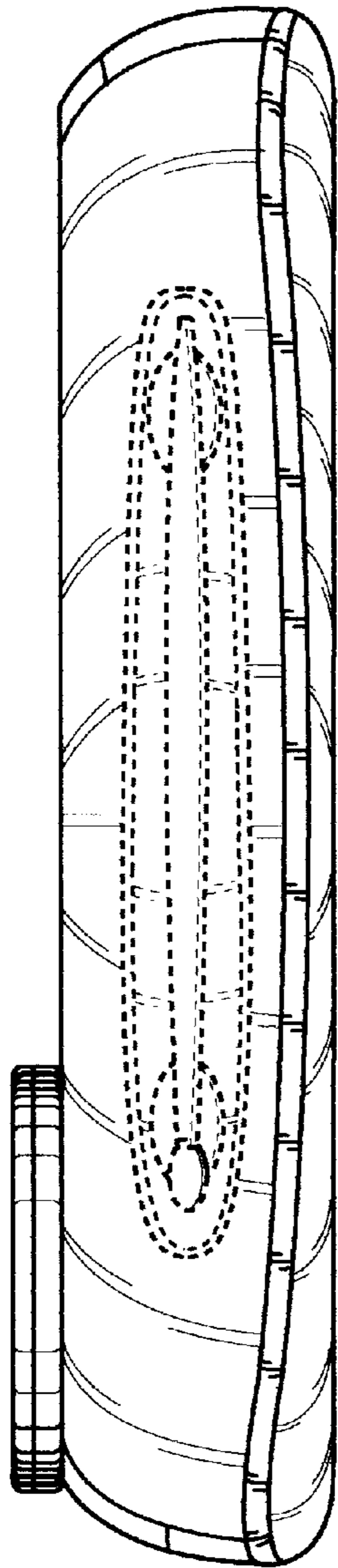


FIG. 4

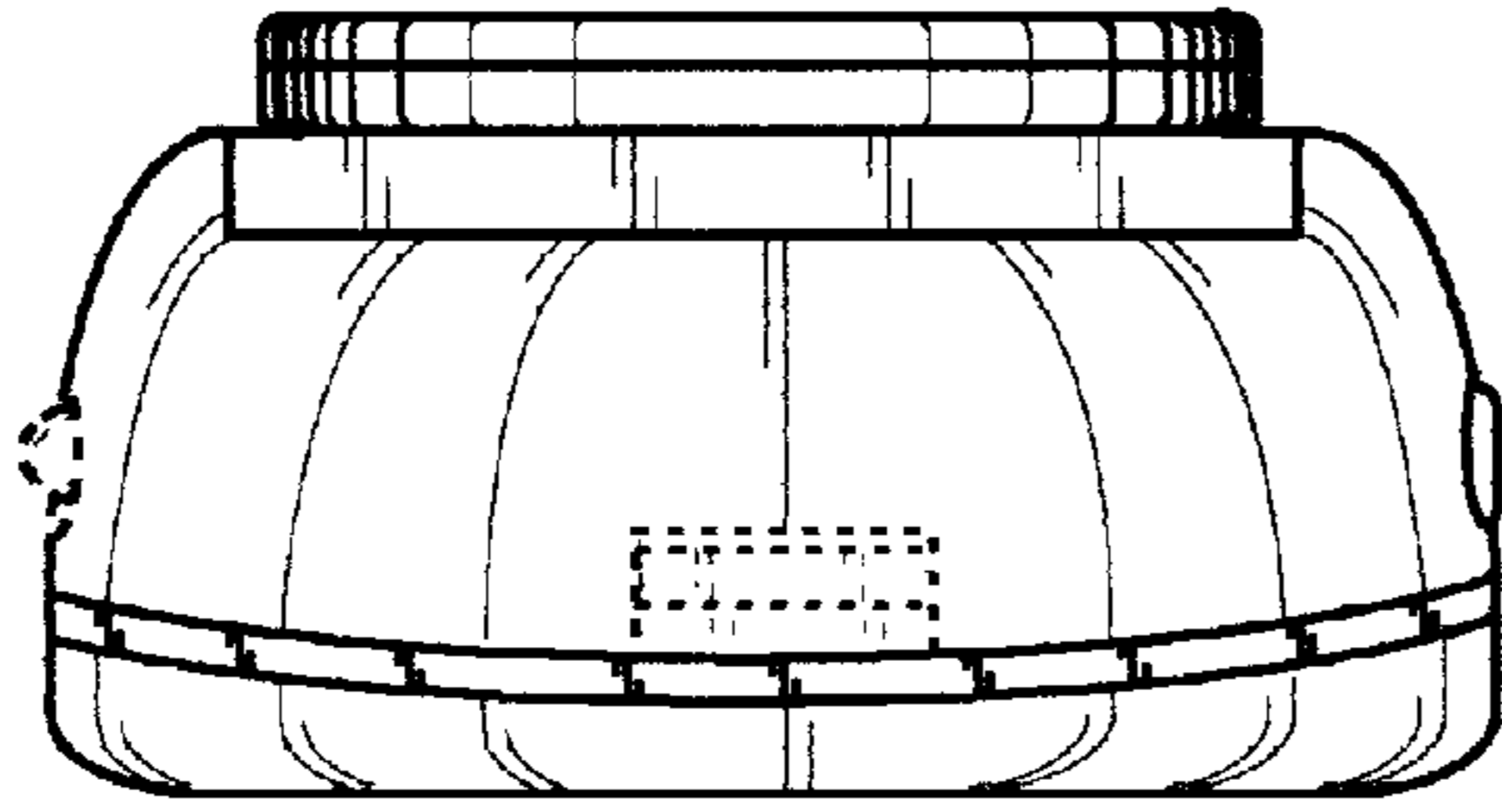


FIG. 7

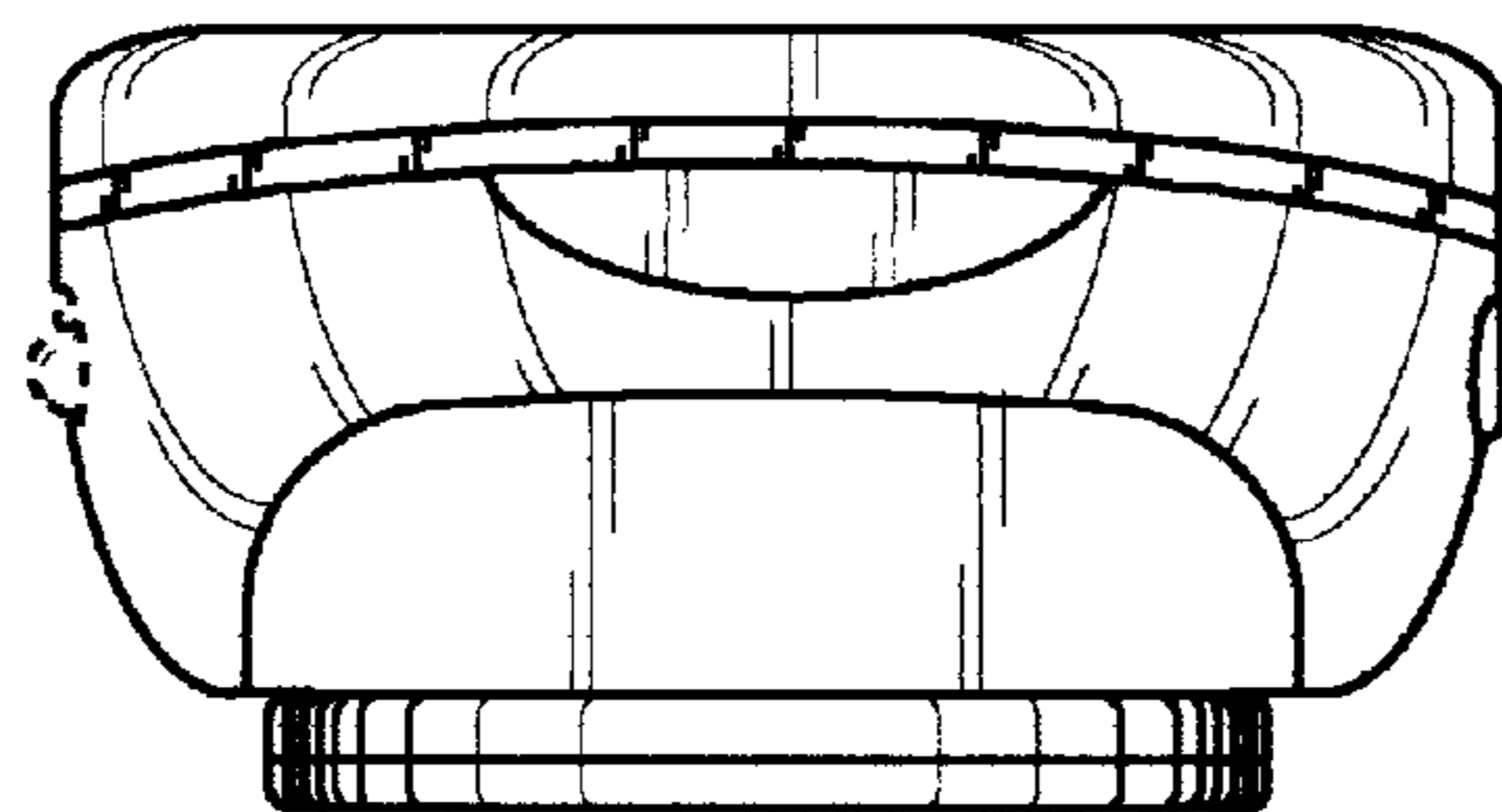


FIG. 5

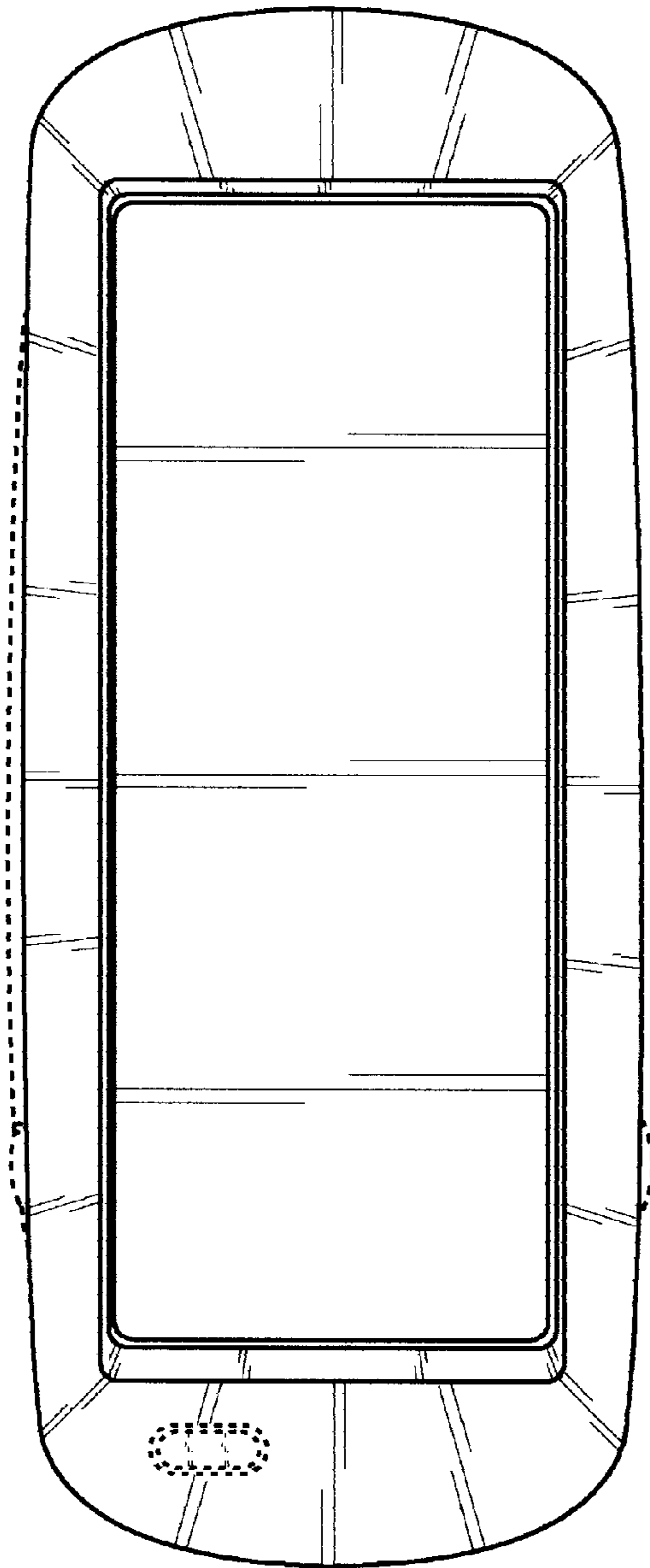


FIG. 6

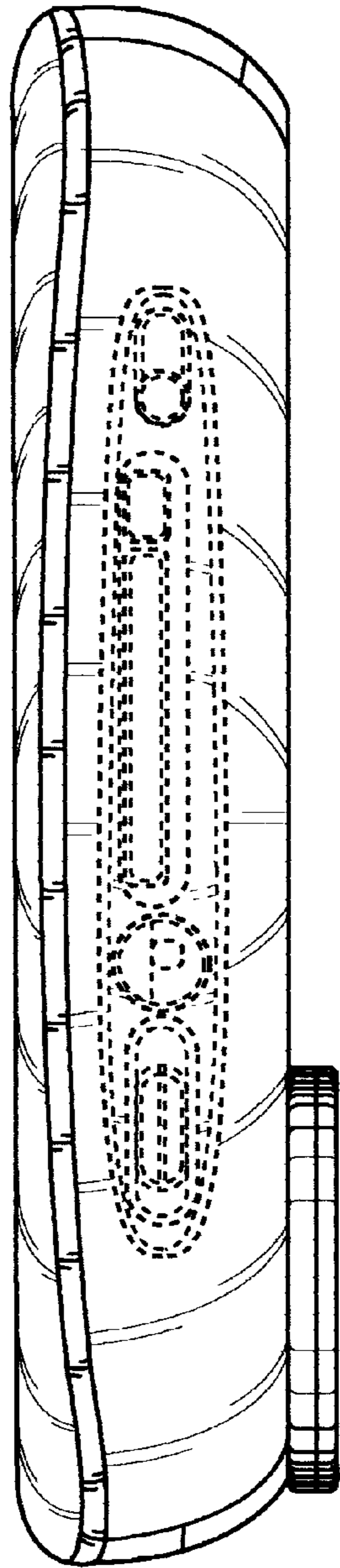


FIG. 8

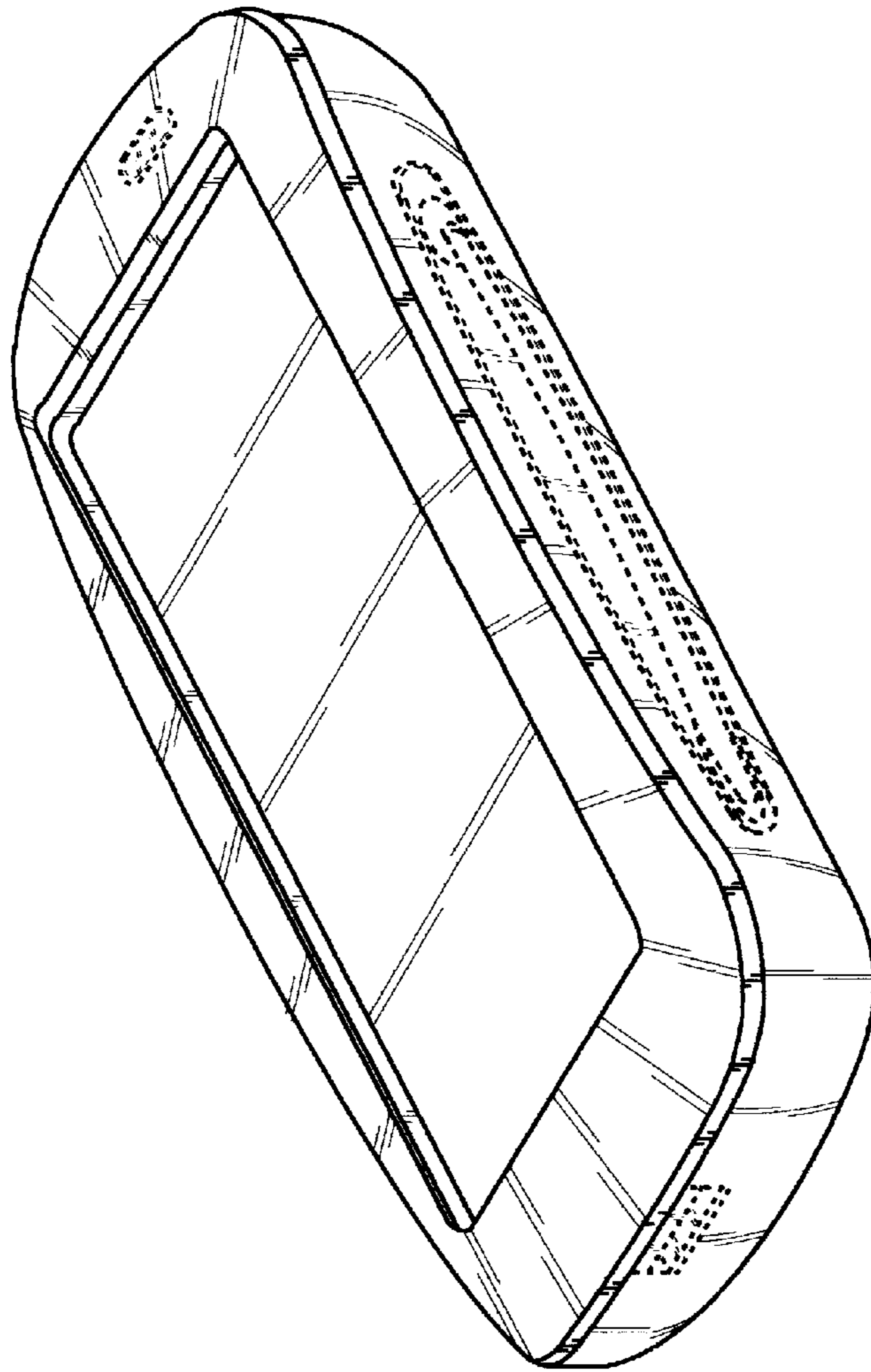


FIG. 9

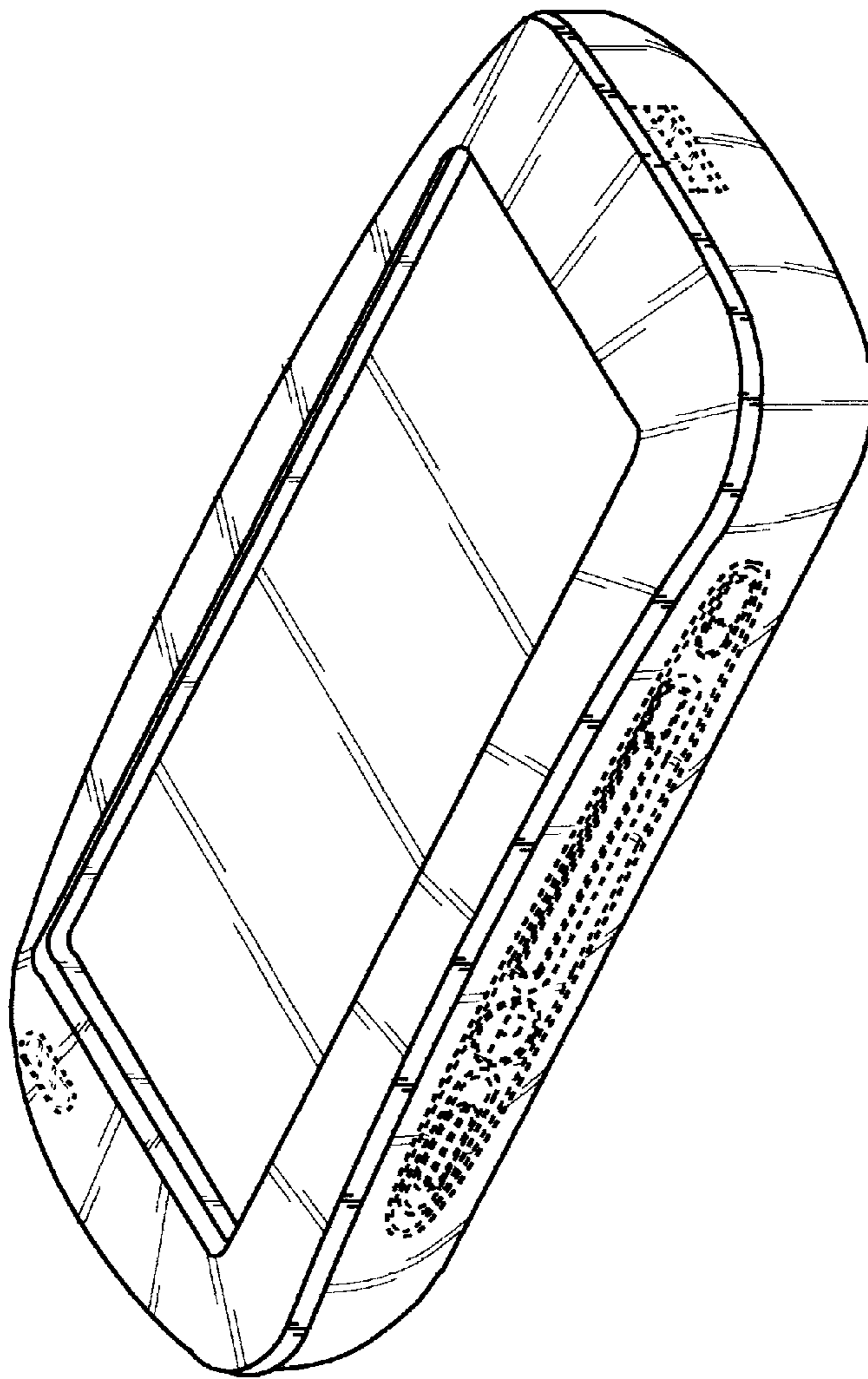


FIG. 10

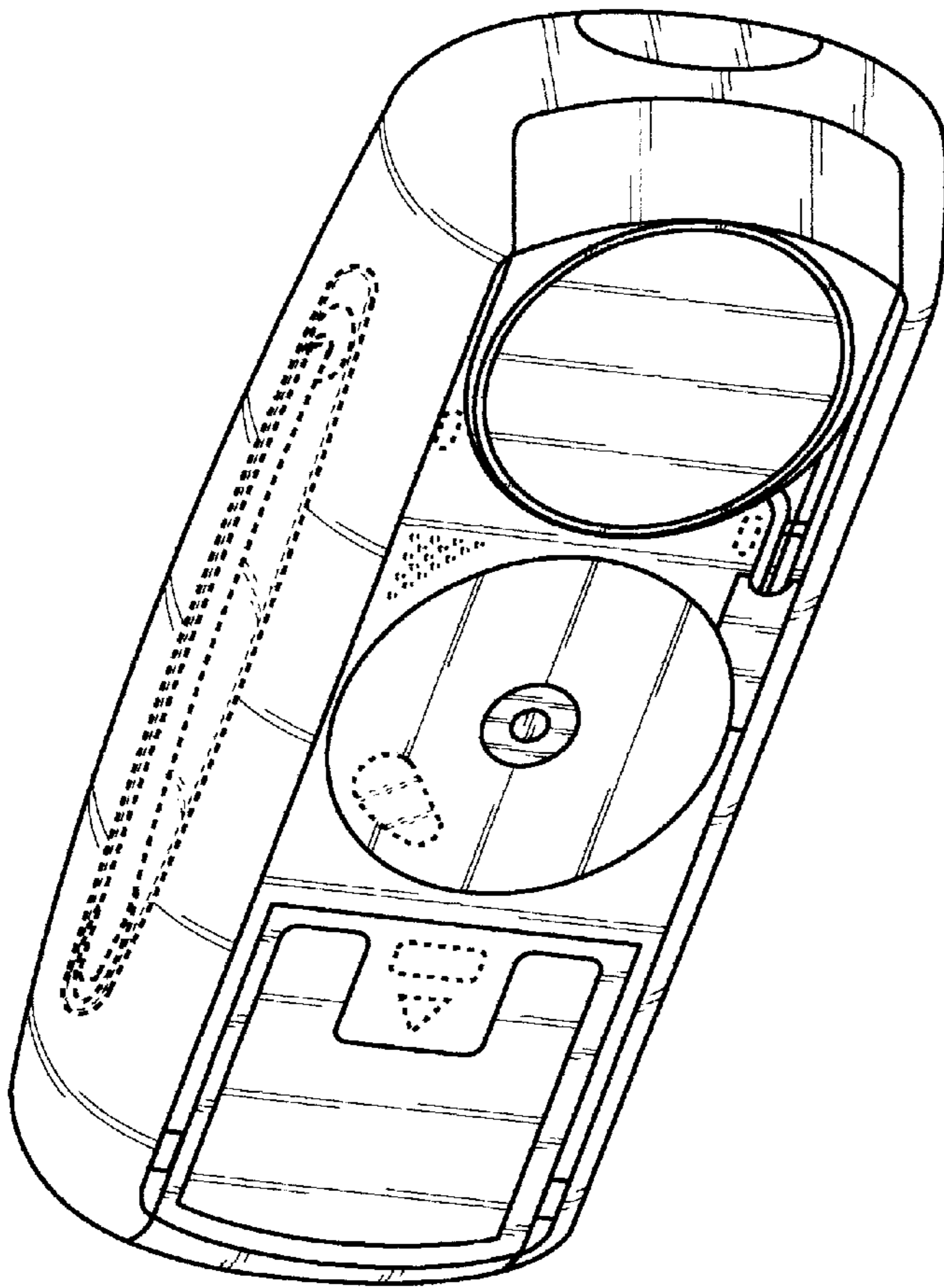


FIG. 11