



US00D484245S

(12) **United States Design Patent**
Gutridge et al.

(10) **Patent No.:** **US D484,245 S**

(45) **Date of Patent:** **** Dec. 23, 2003**

(54) **MEDICAL DEVICE**

(76) Inventors: **John Robert Gutridge**, 44A Ormond Crescent, Hampton, Middlesex, TW12 2TH (GB); **Timothy Ralph Snellgrove**, 12 Ridge Avenue, Marple, Stockport, SK6 7JH (GB)

(**) Term: **14 Years**

(21) Appl. No.: **29/167,720**

(22) Filed: **Sep. 19, 2002**

(51) **LOC (7) Cl.** **24-01**

(52) **U.S. Cl.** **D24/172**

(58) **Field of Search** D24/172; 606/4, 606/10, 19; 219/121.6, 121.61, 121.78, 121.79

(56) **References Cited**

U.S. PATENT DOCUMENTS

3,828,788 A * 8/1974 Krasnov et al. 606/4
3,910,276 A * 10/1975 Polanyi et al. 606/10
3,913,582 A * 10/1975 Sharon 606/19

4,144,888 A * 3/1979 Malyshev et al. 606/19
4,270,845 A * 6/1981 Takizawa et al. 372/107
4,473,074 A * 9/1984 Vassiliadis 606/19

* cited by examiner

Primary Examiner—Stella Reid

(74) *Attorney, Agent, or Firm*—Mintz, Levin, Cohn, Ferris, Glovsky and Popeo, P.C.

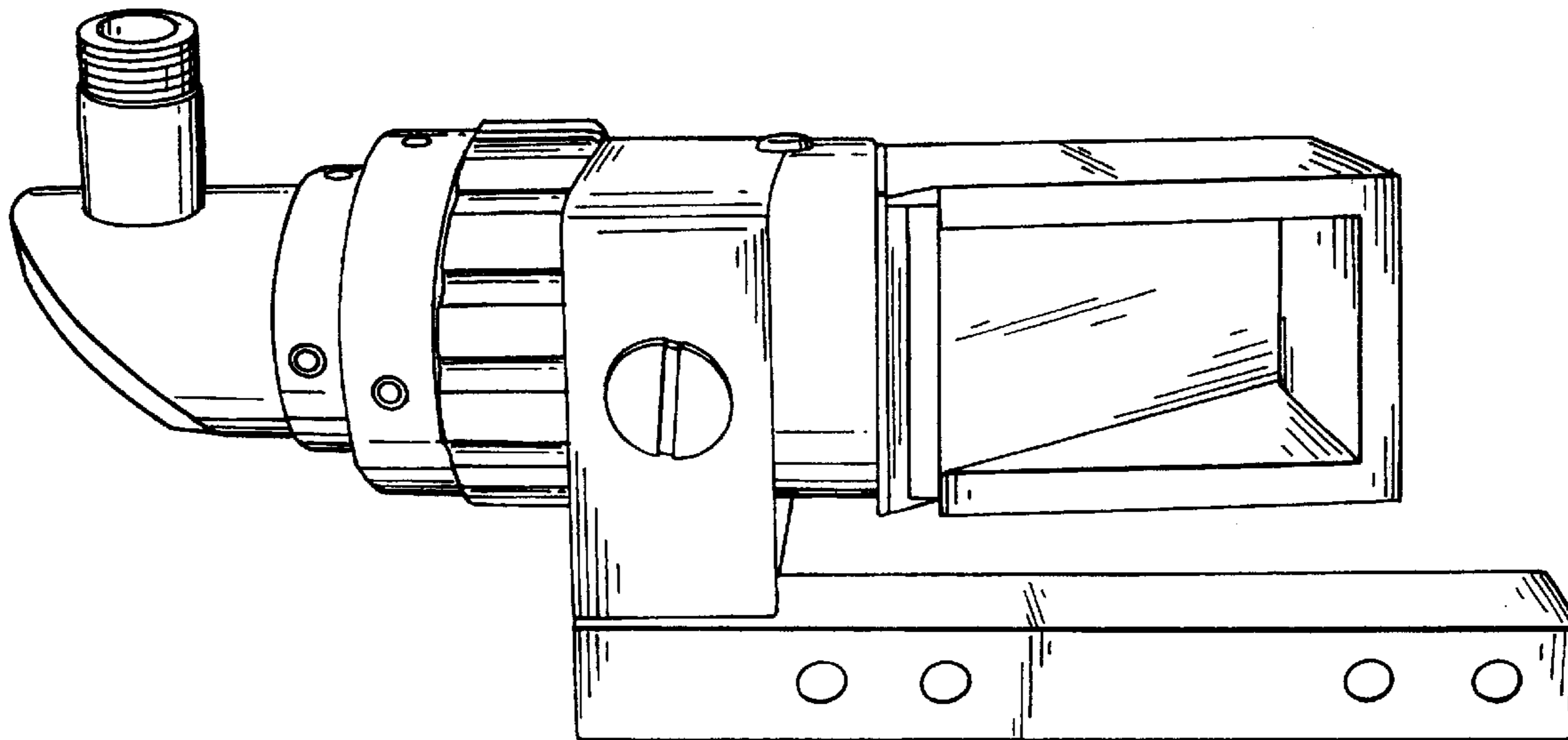
(57) **CLAIM**

The ornamental design for a medical device, as shown and described.

DESCRIPTION

FIG. 1 is a perspective view from one end of our new design; FIG. 2 is a top plan view thereof; FIG. 3 is a perspective view of the rear thereof; FIG. 4 is a perspective view from another end thereof; FIG. 5 is a front elevational view thereof; FIG. 6 is a bottom plan view thereof; and, FIG. 7 is a perspective view thereof, in use condition, the broken line showing being for illustrative purposes only forming no part of the claimed design.

1 Claim, 7 Drawing Sheets



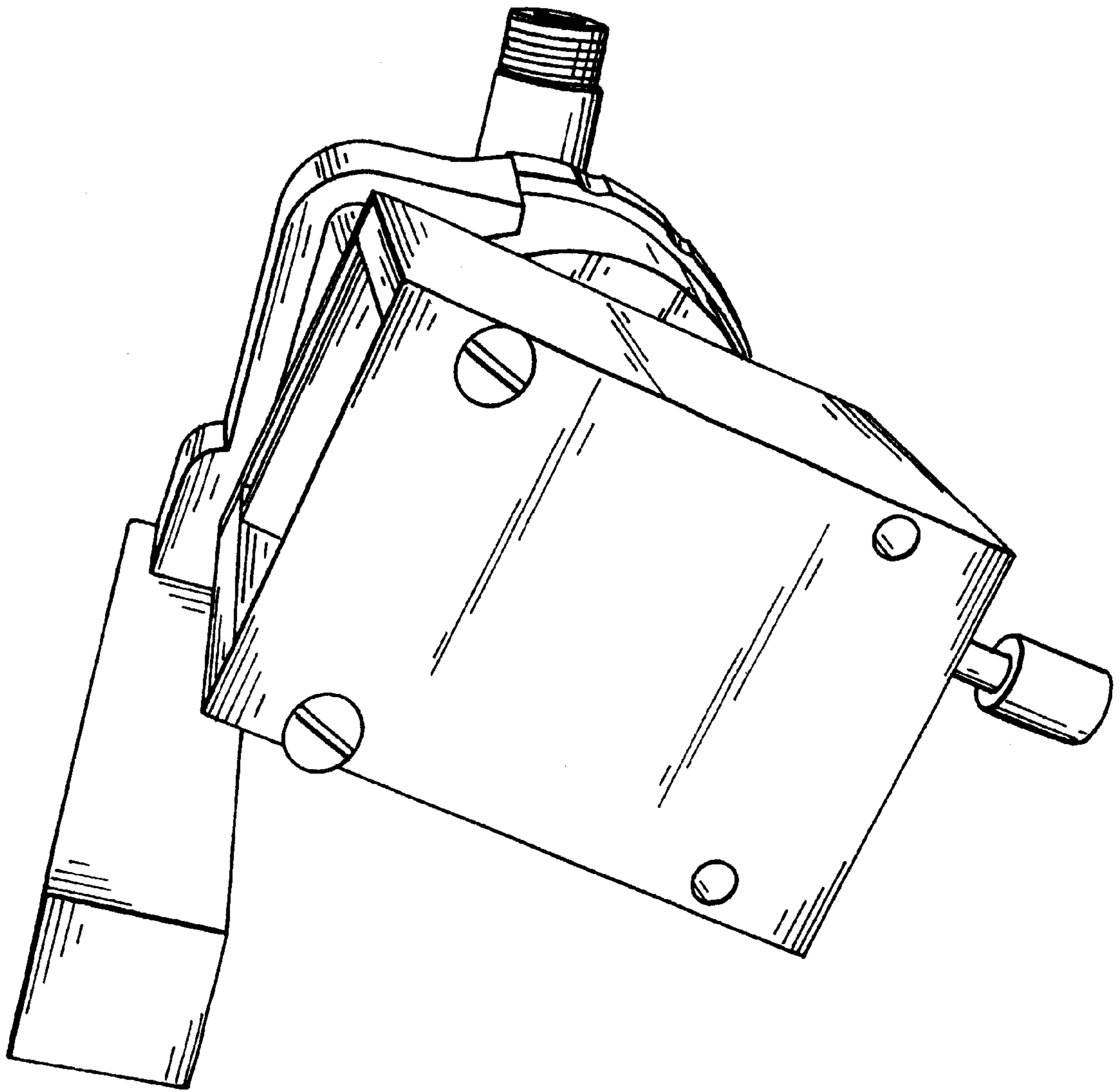


Fig. 1

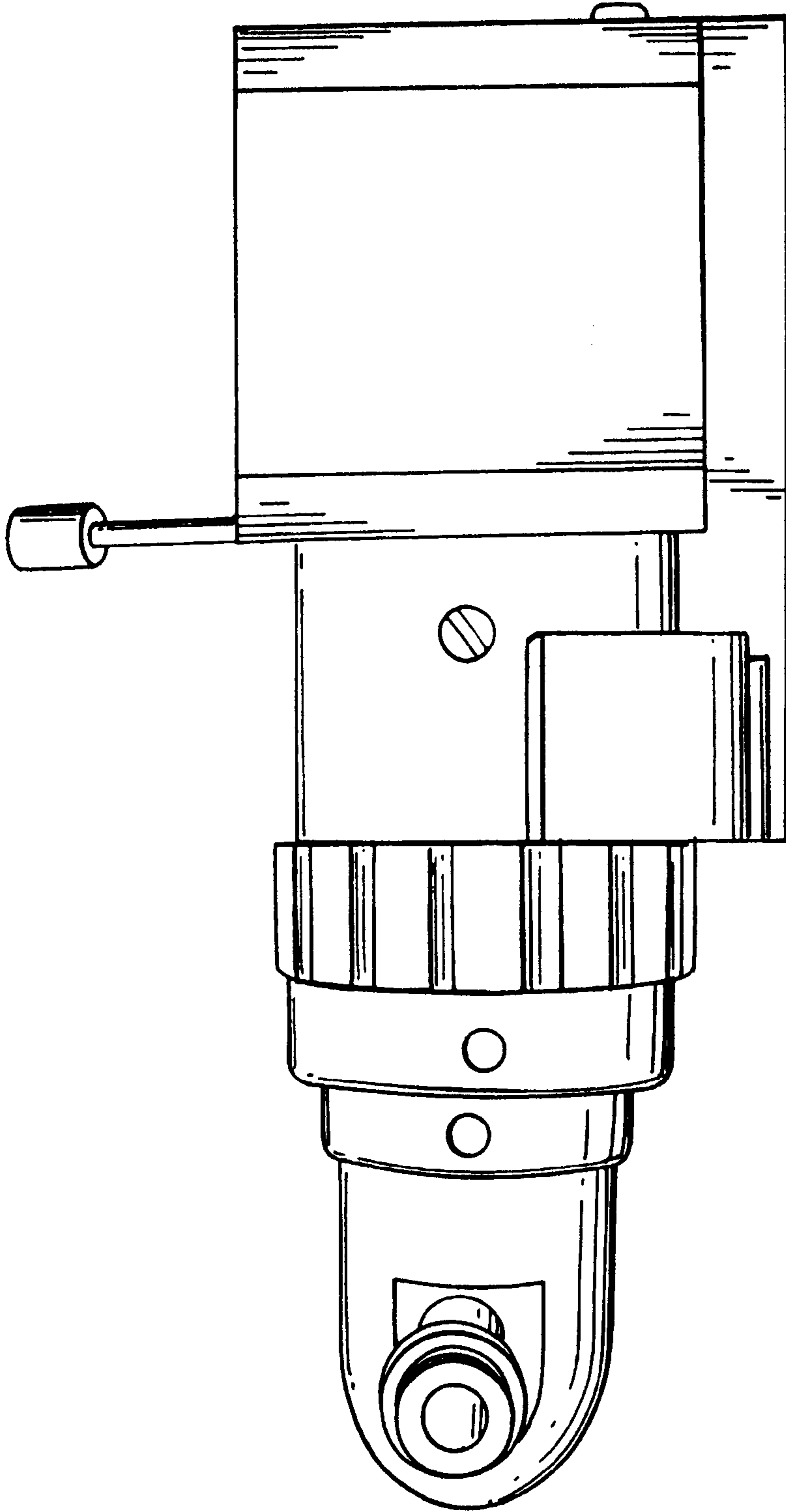


Fig. 2

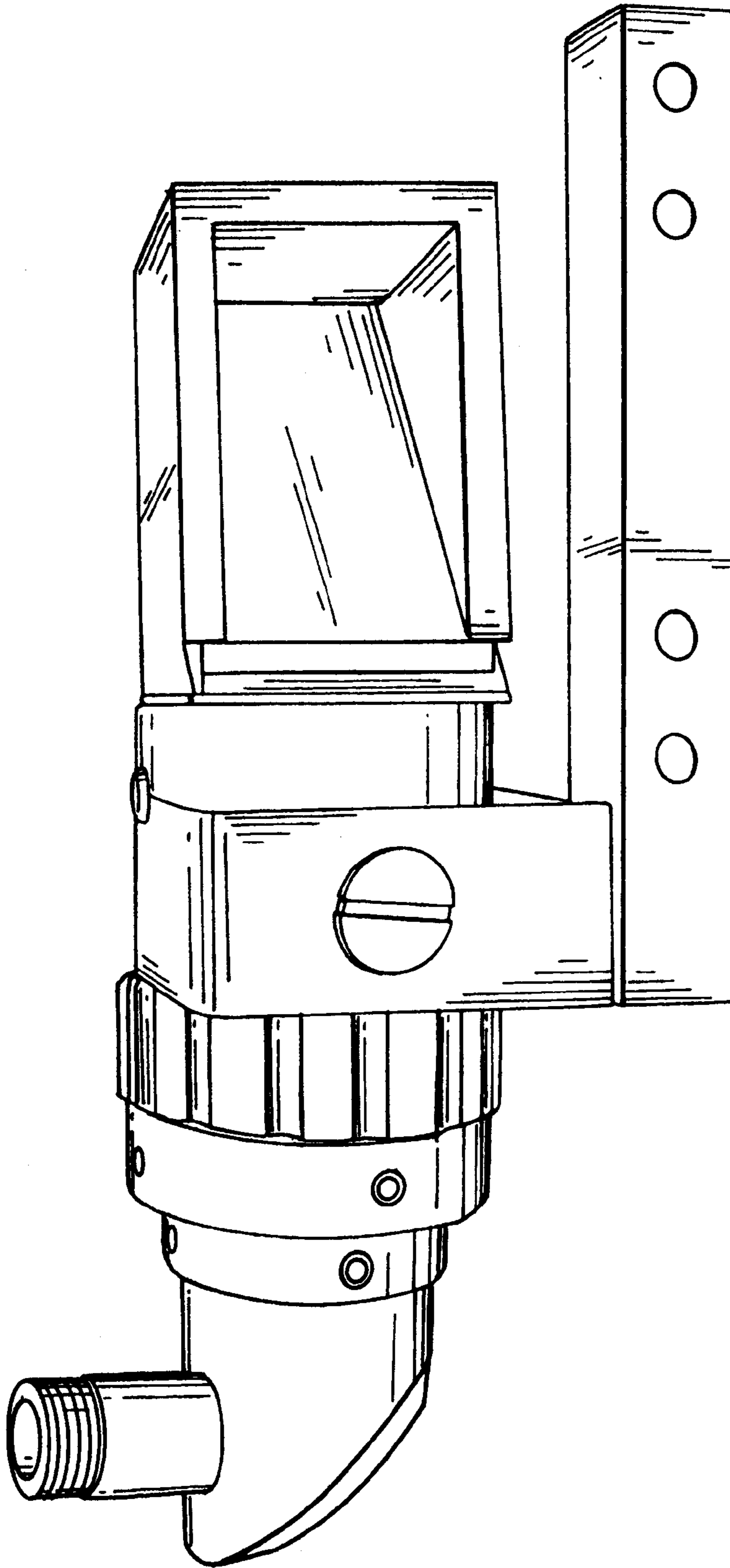


Fig. 3

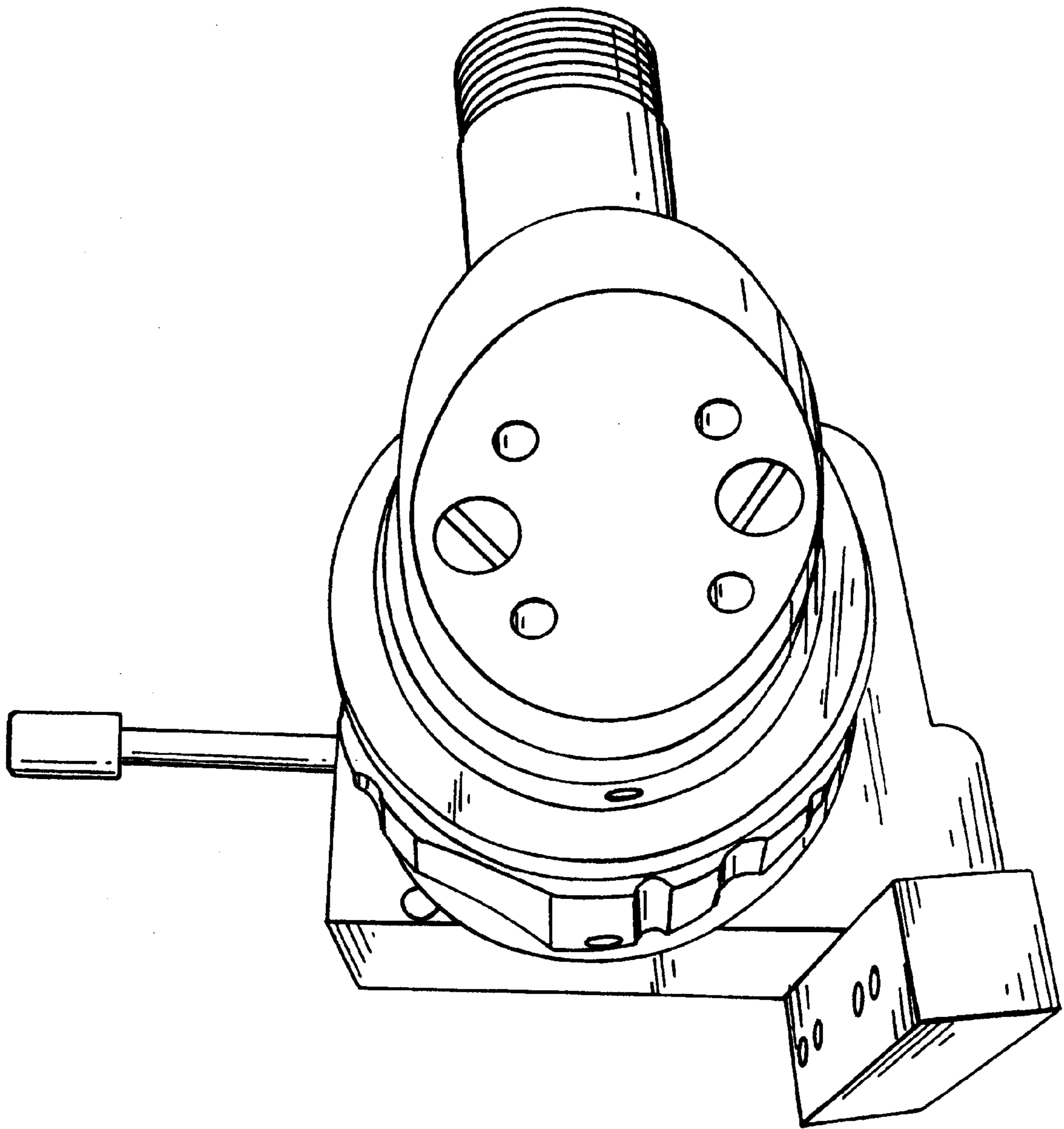


Fig. 4

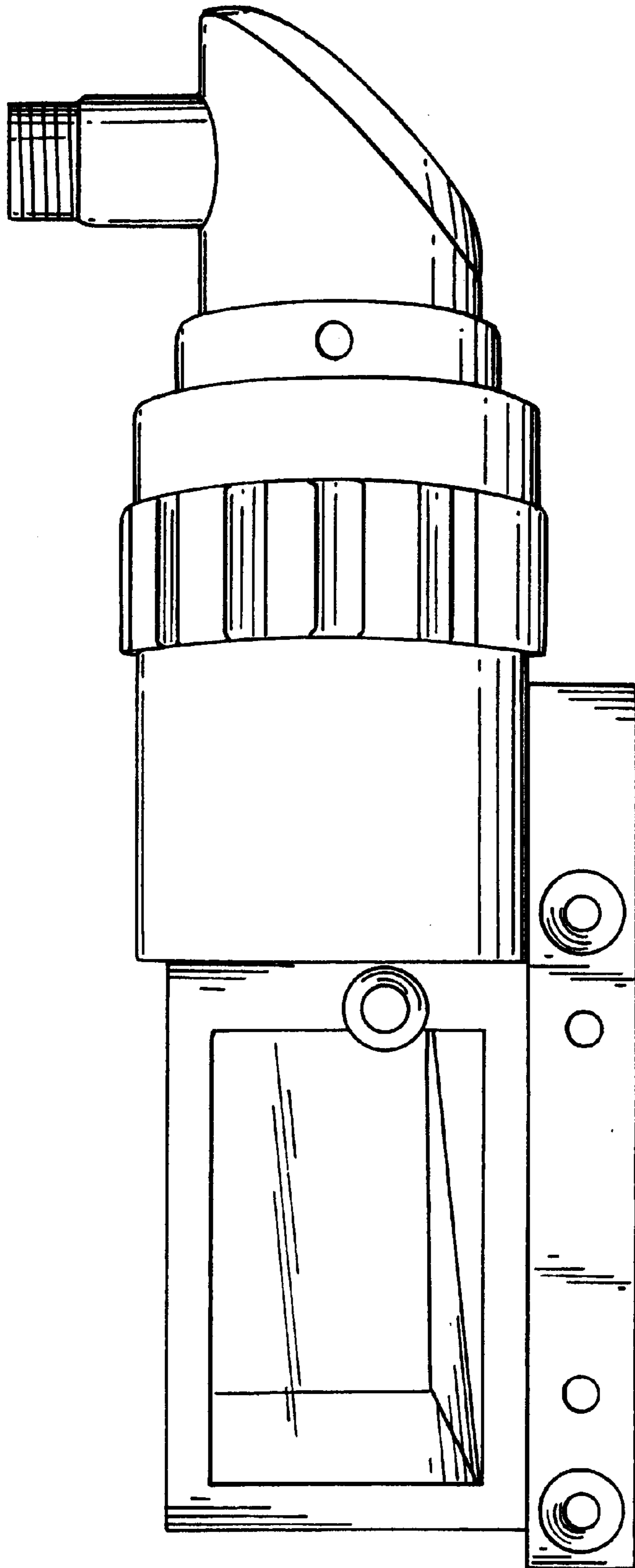


Fig. 5

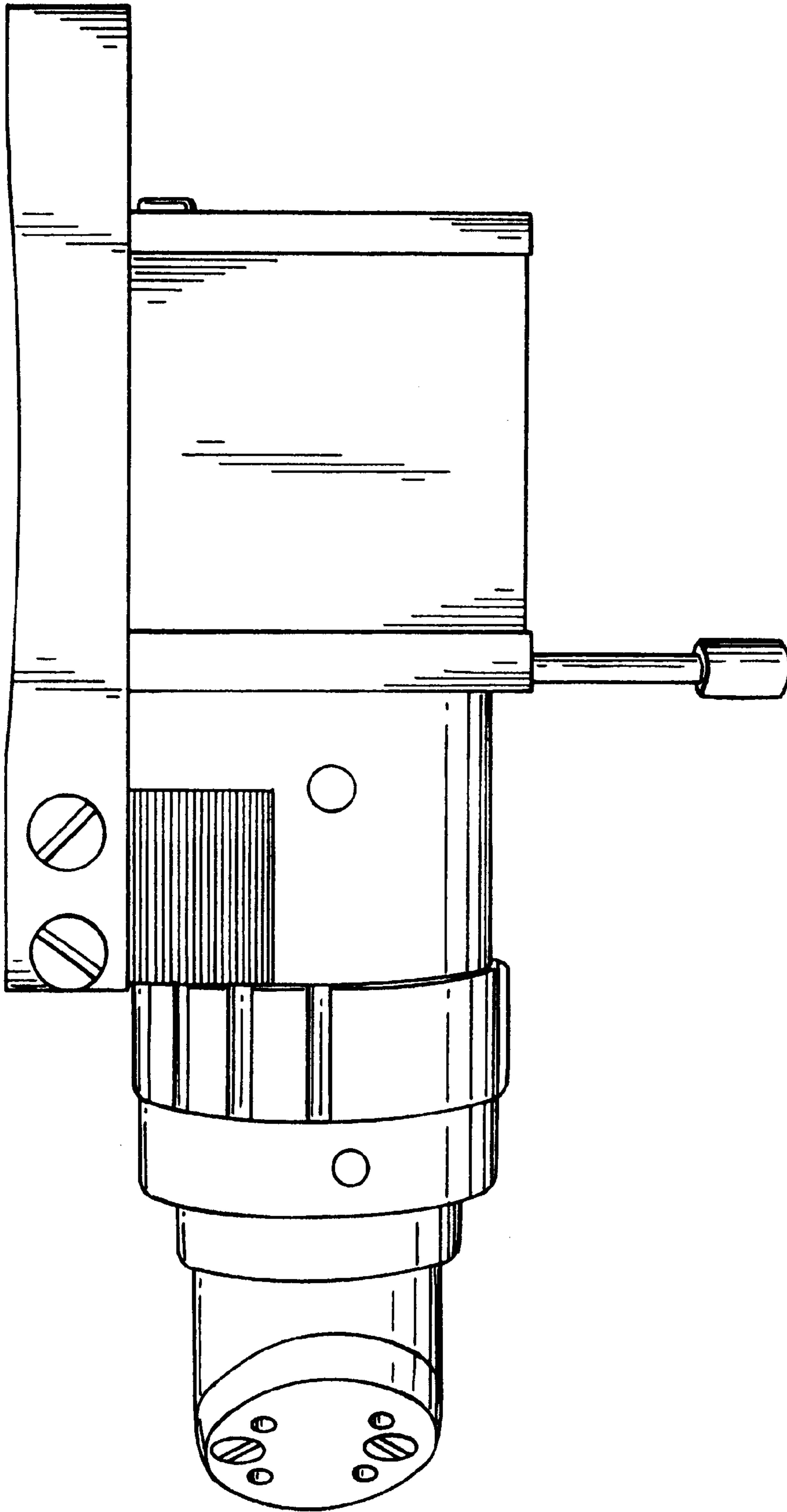


Fig. 6

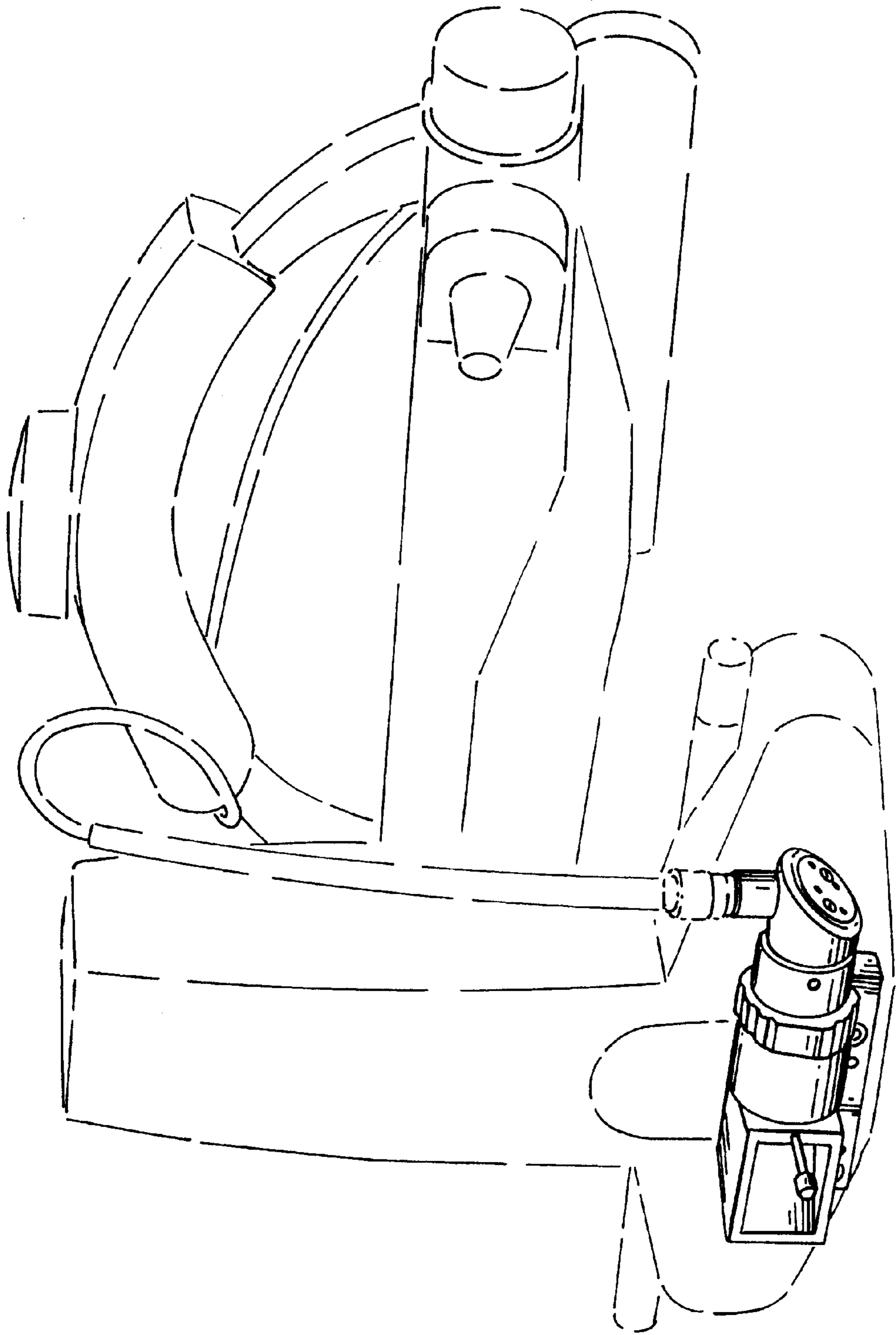


Fig. 7