



US00D484244S

(12) **United States Design Patent**  
**Starnes**

(10) **Patent No.:** **US D484,244 S**

(45) **Date of Patent:** **\*\* Dec. 23, 2003**

(54) **LANCET COVER**

(75) Inventor: **Charles D. Starnes**, Coral Springs, FL (US)

(73) Assignee: **Caribbean Medical Brokers, Inc.**, Coral Springs, FL (US)

(\*\*) Term: **14 Years**

(21) Appl. No.: **29/171,683**

(22) Filed: **Nov. 26, 2002**

(51) **LOC (7) Cl.** ..... **24-02**

(52) **U.S. Cl.** ..... **D24/146; D24/130; D24/147**

(58) **Field of Search** ..... **D24/130, 146, D24/147; 606/181, 182, 167, 184; 30/342**

(56) **References Cited**

**U.S. PATENT DOCUMENTS**

2,935,067 A	5/1960	Bouet	
3,358,689 A	12/1967	Higgins	
3,989,045 A	11/1976	Van Eck	
4,545,376 A	10/1985	Beiter	
4,635,633 A	1/1987	Hufnagle	
4,994,068 A *	2/1991	Hufnagle	..... 606/181
5,304,192 A	4/1994	Crouse	
5,314,442 A	5/1994	Morita	
5,324,302 A	6/1994	Crouse	
5,366,469 A	11/1994	Steg et al.	
5,385,571 A	1/1995	Morita	
D362,719 S	9/1995	Kaplan	
5,454,828 A	10/1995	Schraga	

5,487,748 A	1/1996	Marshall et al.	
5,893,864 A	4/1999	Brakey	
D411,619 S	6/1999	Duchon	
5,913,868 A	6/1999	Marshall et al.	
6,589,261 B1 *	7/2003	Abulhaj et al.	..... 606/181
2003/0109895 A1 *	6/2003	Taylor et al.	..... 606/181

\* cited by examiner

*Primary Examiner*—Ian Simmons

(74) *Attorney, Agent, or Firm*—Richard S. Vermut; Rogers Towers, P.A.

(57) **CLAIM**

The ornamental design for a lancet cover, as shown and described.

**DESCRIPTION**

FIG. 1 is a front perspective view of a lancet cover showing our new design, the broken line showing of the lancet is for illustrative purposes only and forms no part of the claimed design

FIG. 2 is a front perspective view thereof, shown detached;

FIG. 3 is another front perspective view thereof;

FIG. 4 is a front elevational view of the lancet cover shown in FIG. 1, the rear elevational view being identical thereto;

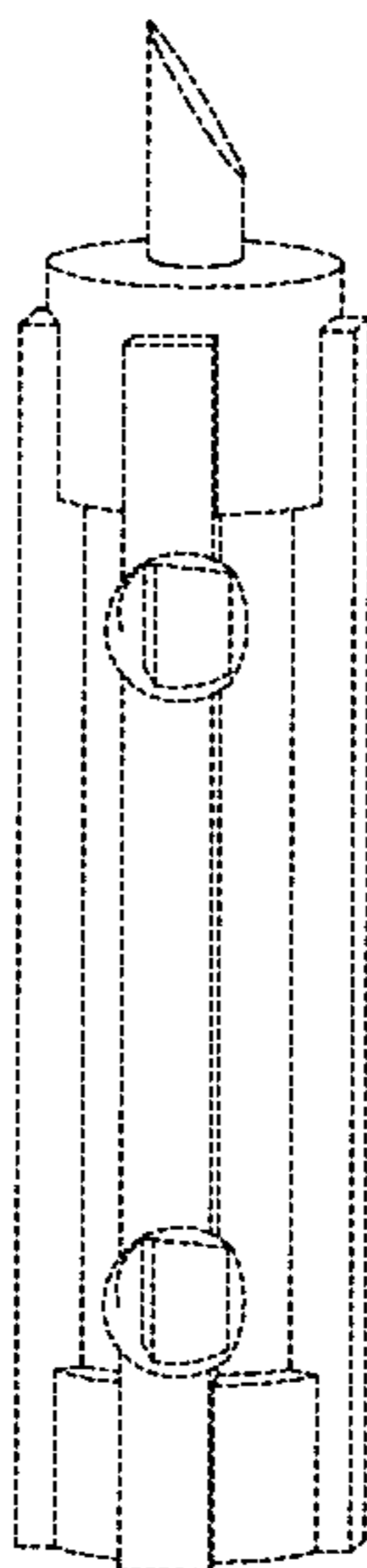
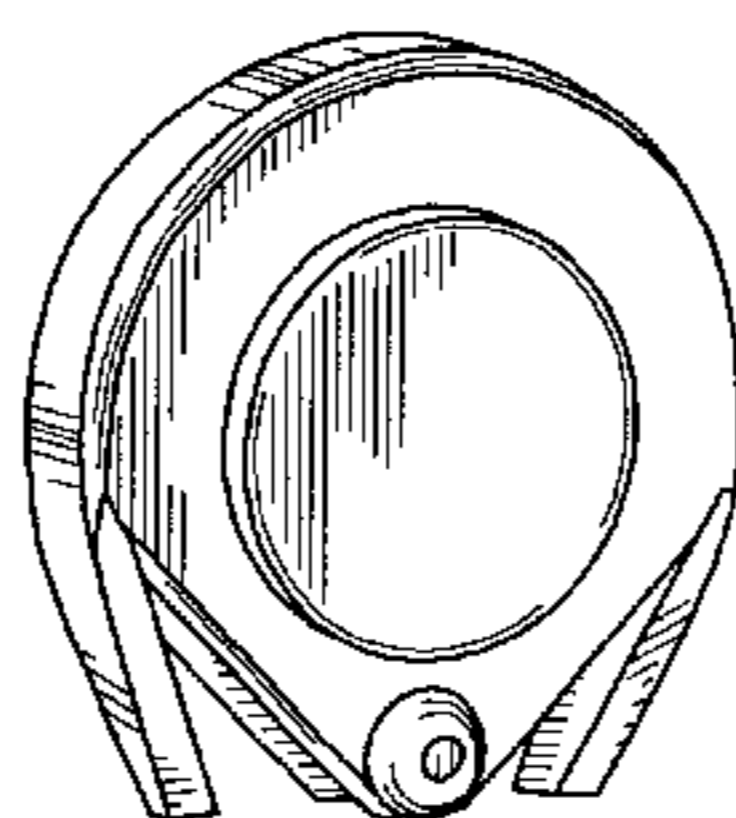
FIG. 5 is a side elevational view thereof, the opposite side elevational view being identical thereto;

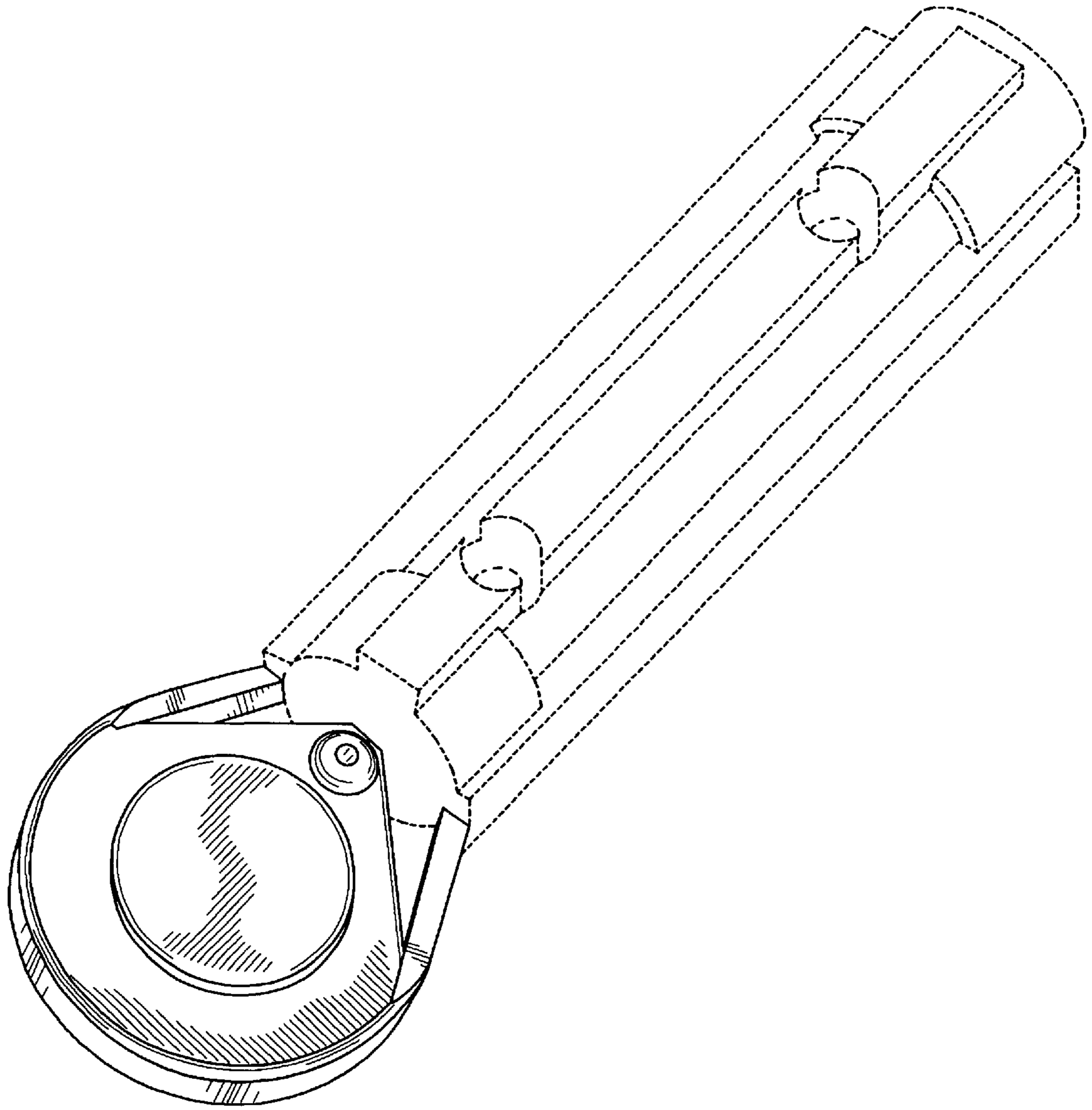
FIG. 6 is a top plan view thereof;

FIG. 7 is another top plan view thereof; and,

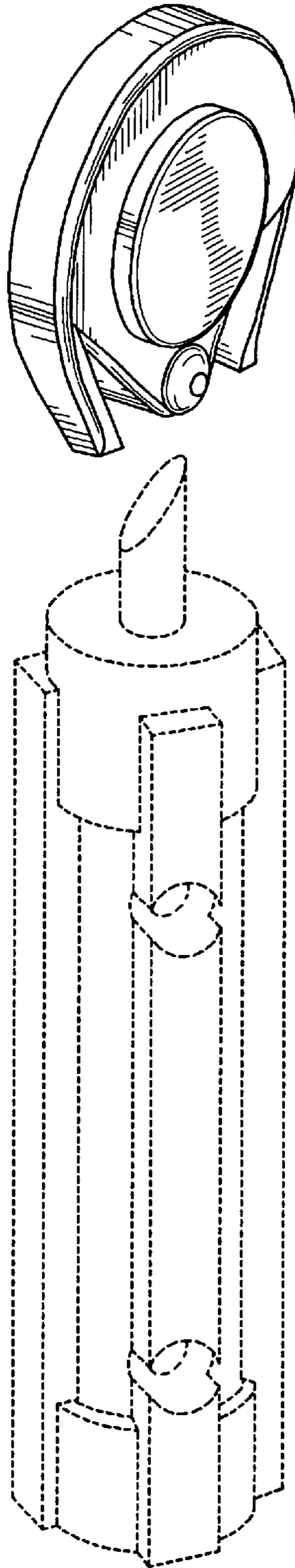
FIG. 8 is a bottom plan view thereof.

**1 Claim, 6 Drawing Sheets**

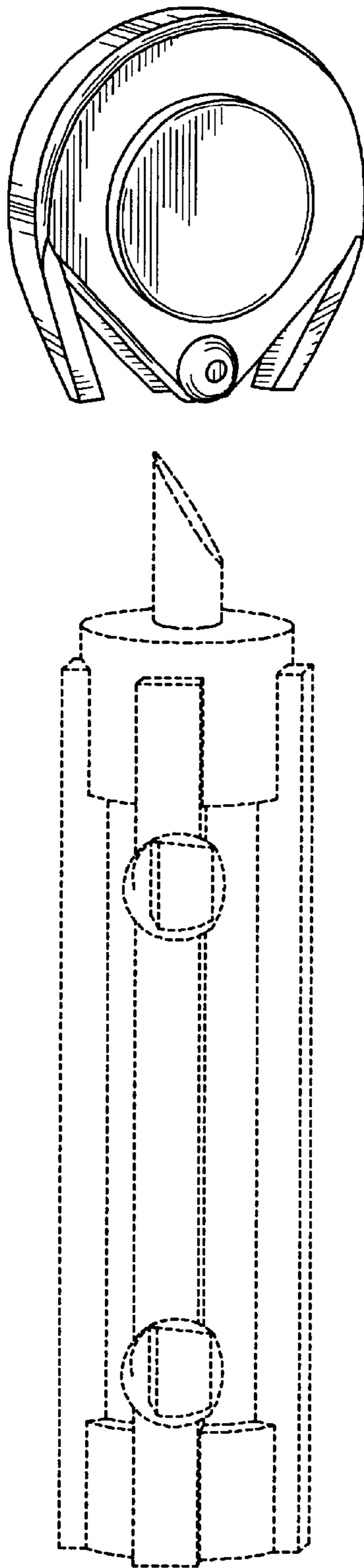




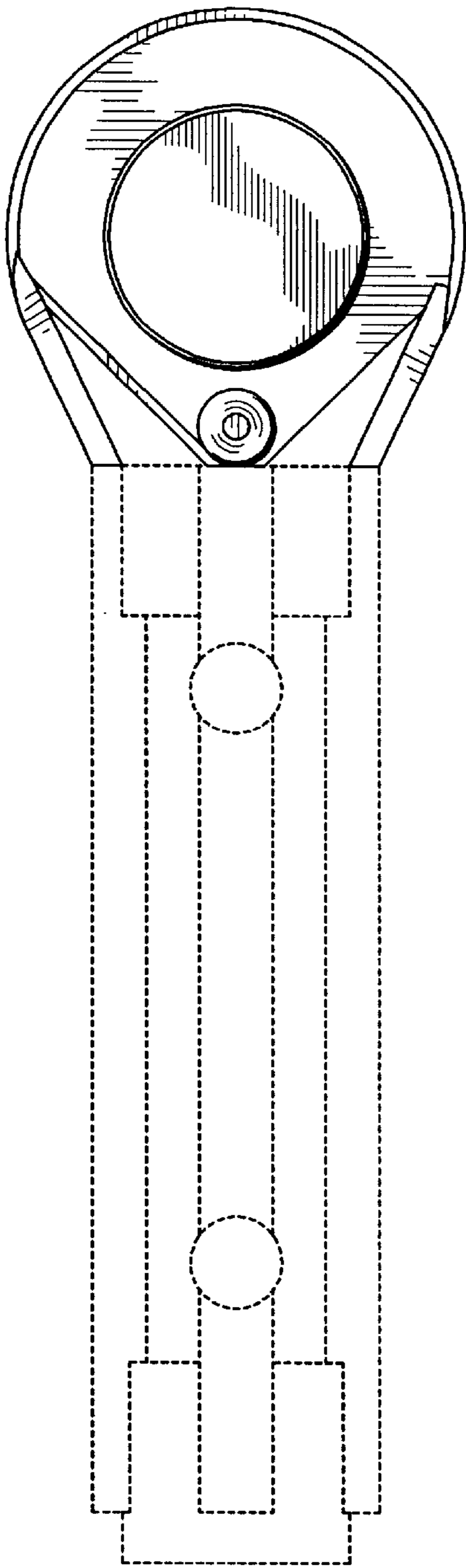
*Fig. 1*



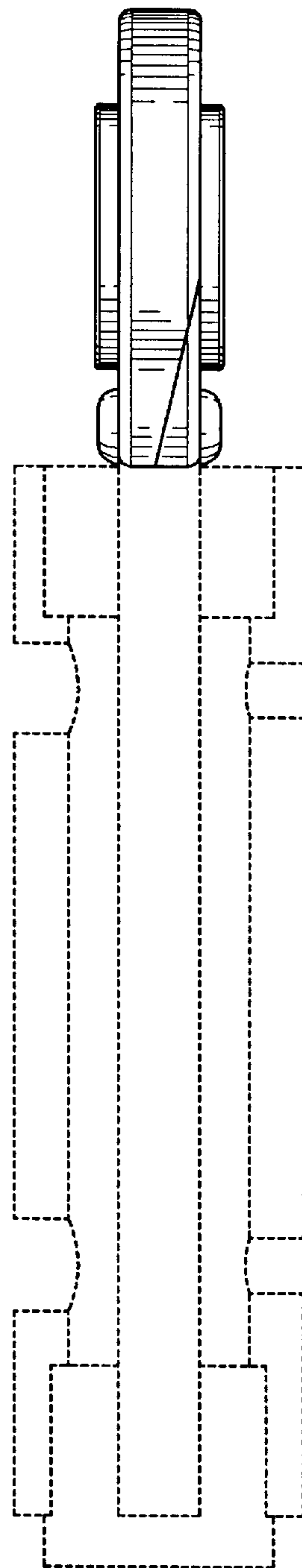
*Fig. 2*



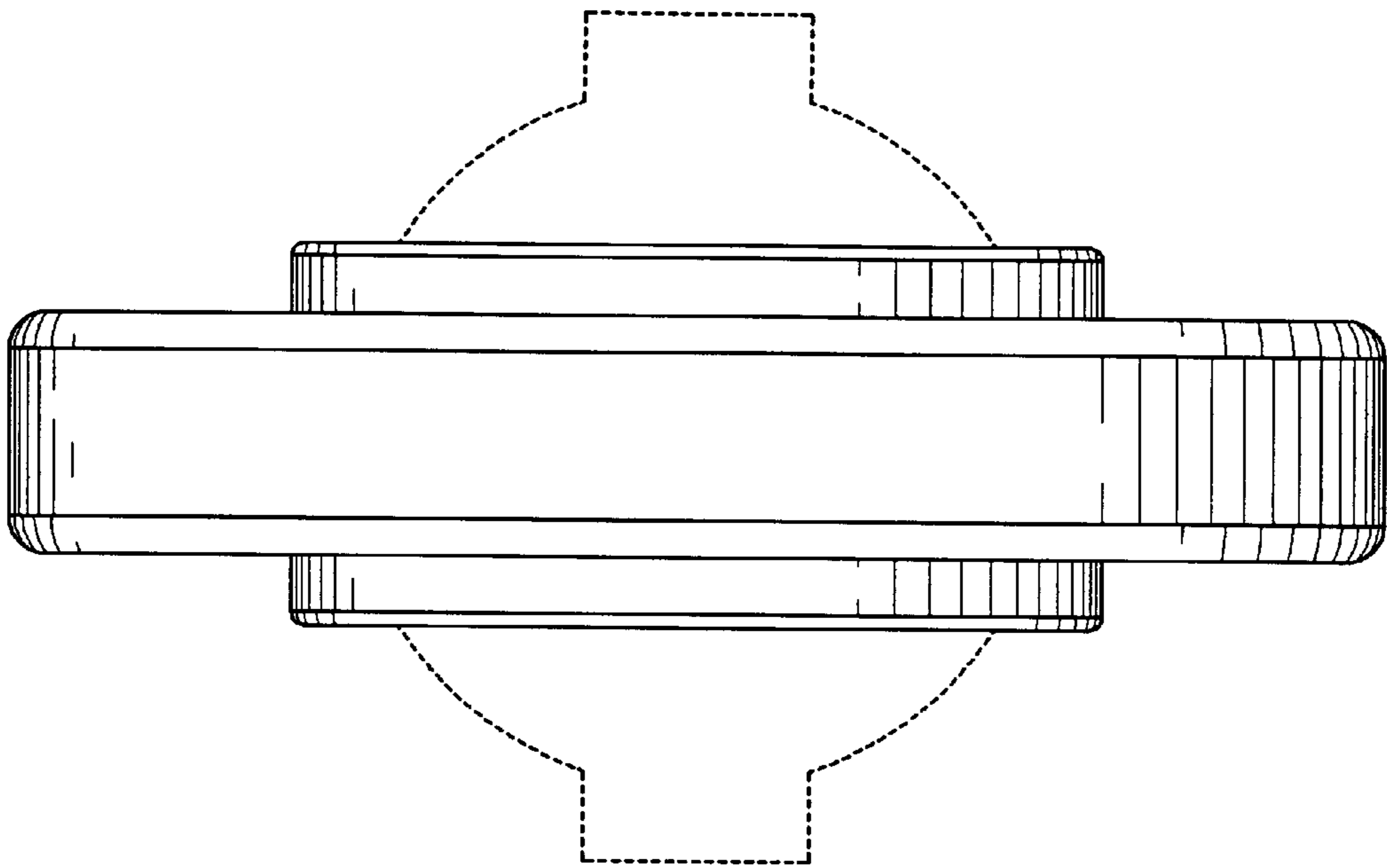
*Fig. 3*



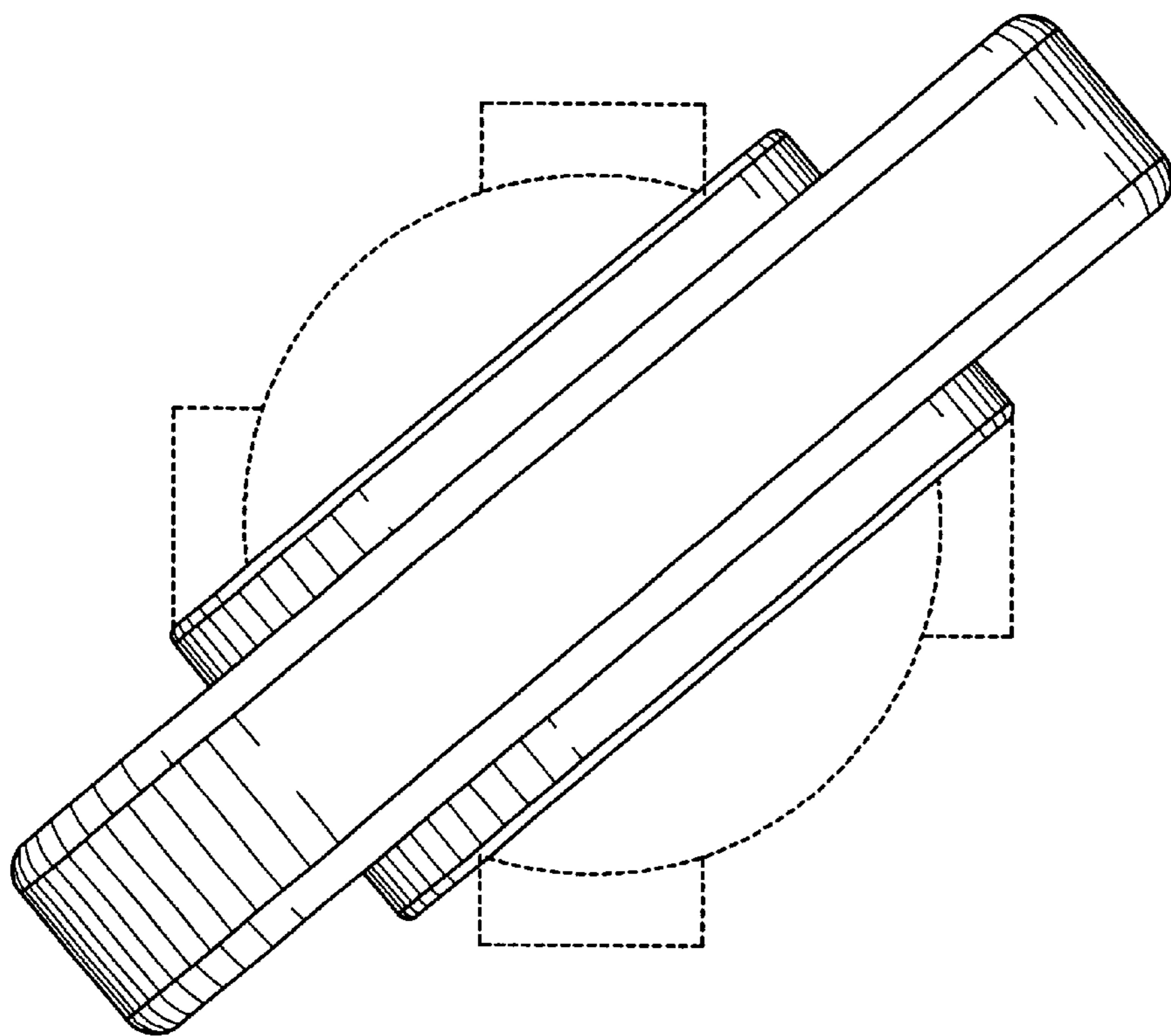
*Fig. 4*



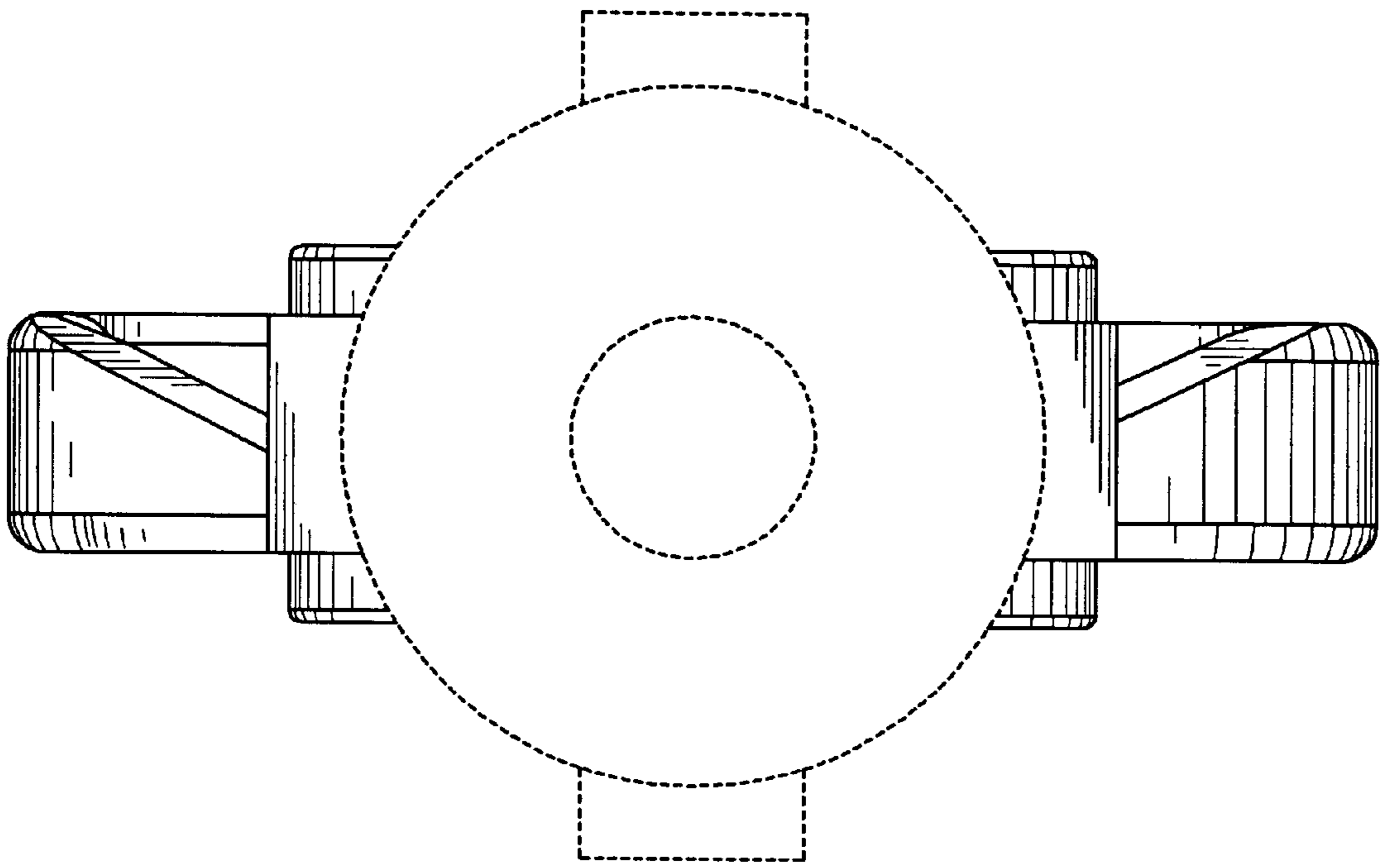
*Fig. 5*



*Fig. 6*



*Fig. 7*



*Fig. 8*