



US00D484243S

(12) **United States Design Patent**
Ryan et al.

(10) **Patent No.: US D484,243 S**

(45) **Date of Patent: ** Dec. 23, 2003**

(54) **SURGICAL TOOL BLADE HOLDER**

(75) Inventors: **Phillip Andrew Ryan**, Memphis, TN (US); **Constance Elaine Johnston**, Eads, TN (US); **Dickon Isaacs**, Chicago, IL (US)

(73) Assignee: **Gyrus Ent L.L.C.**, Bartlett, TN (US)

(**) Term: **14 Years**

(21) Appl. No.: **29/157,551**

(22) Filed: **Mar. 22, 2002**

(51) **LOC (7) Cl.** **24-02**

(52) **U.S. Cl.** **D24/146; D24/130; D24/133**

(58) **Field of Search** D24/130, 112, D24/144, 146, 140, 133; 606/173, 171, 170, 167, 80, 79, 86

(56) **References Cited**

U.S. PATENT DOCUMENTS

3,618,611	A	11/1971	Urban	
5,492,527	A	2/1996	Glowa et al.	
5,620,447	A	* 4/1997	Smith et al.	606/170
D390,956	S	* 2/1998	Sjostrom et al.	D24/146
5,888,200	A	* 3/1999	Walen	606/170
6,042,593	A	3/2000	Storz et al.	
6,152,941	A	* 11/2000	Himes et al.	606/167
6,221,088	B1	4/2001	Bays	

6,293,957	B1	9/2001	Peters et al.	
D449,504	S	* 10/2001	Boyle et al.	D8/70
6,312,441	B1	* 11/2001	Deng	606/170
6,368,324	B1	* 4/2002	Dinger et al.	606/171
6,494,892	B1	* 12/2002	Ireland et al.	606/167

OTHER PUBLICATIONS

U.S. patent application Ser. No. 10/103,104, Johnston et al., filed Mar. 22, 2002.

* cited by examiner

Primary Examiner—Ian Simmons

(74) *Attorney, Agent, or Firm*—Oliff & Berridge, PLC

(57) **CLAIM**

The ornamental design for surgical tool blade holder, as shown and described.

DESCRIPTION

FIG. 1 is a side view of the surgical tool blade holder, the opposite side view being a mirror image;

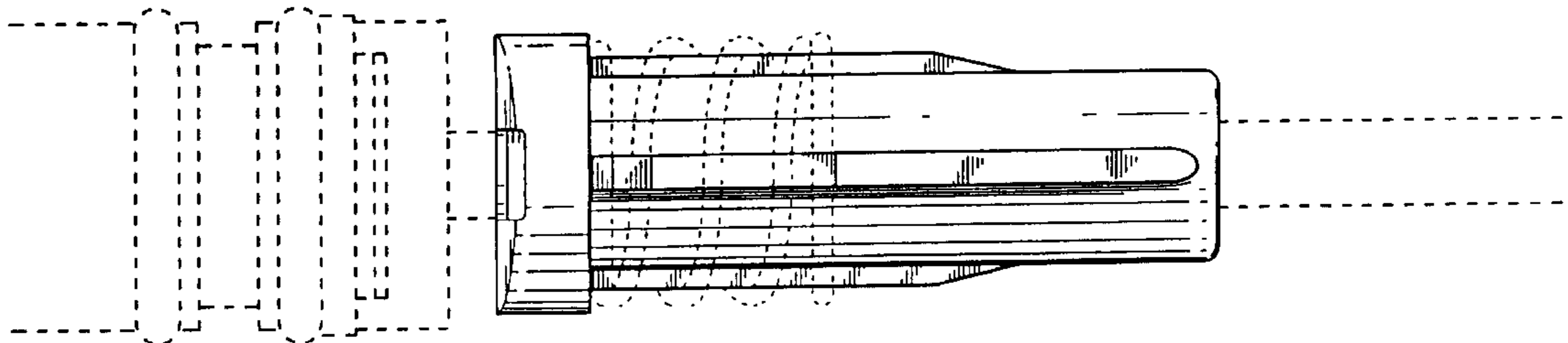
FIG. 2 is a top view thereof, the bottom view being a mirror image;

FIG. 3 is a front end view thereof; and,

FIG. 4 is a rear end view thereof.

The broken line showing in FIGS. 1 through 4 is for illustrative purposes only and forms no part of the claimed design.

1 Claim, 2 Drawing Sheets



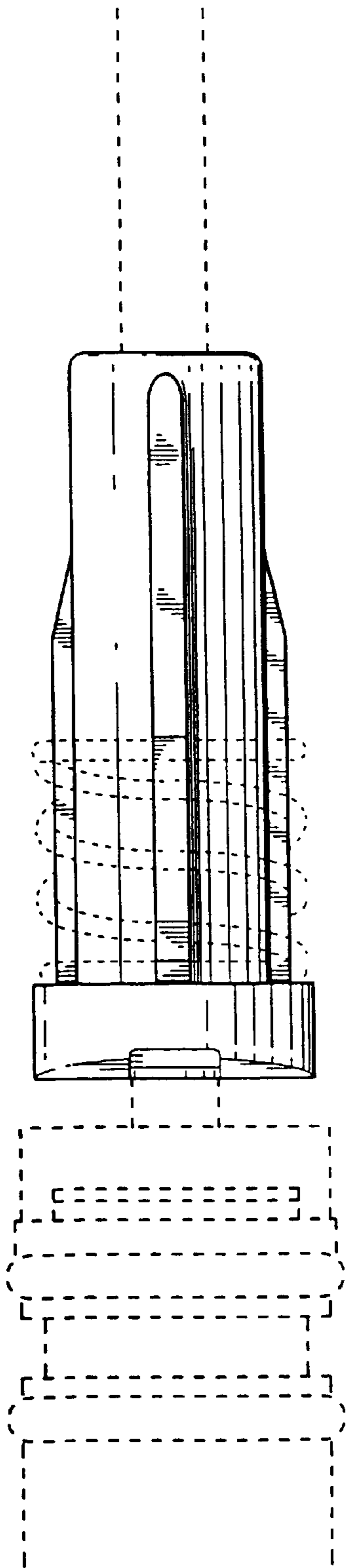


Fig. 1

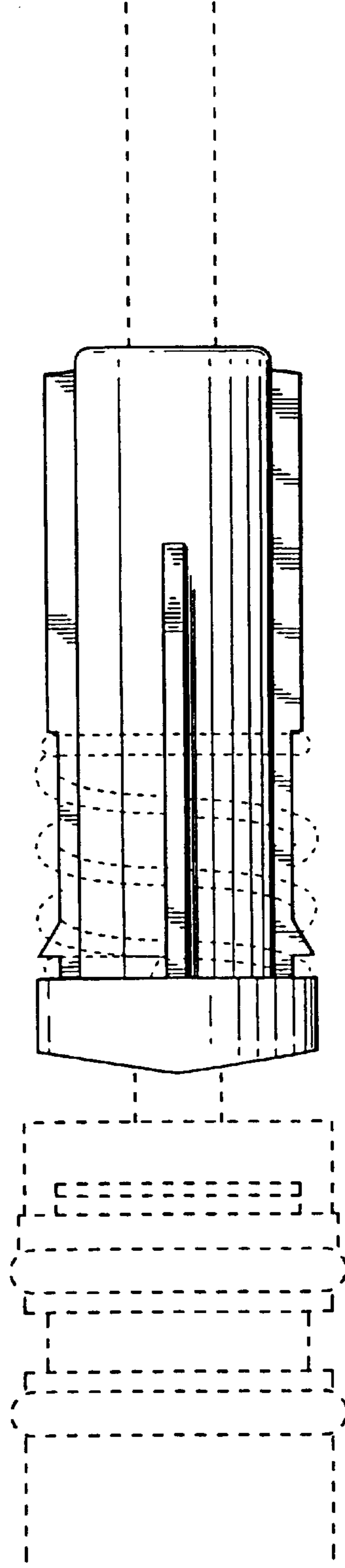


Fig. 2

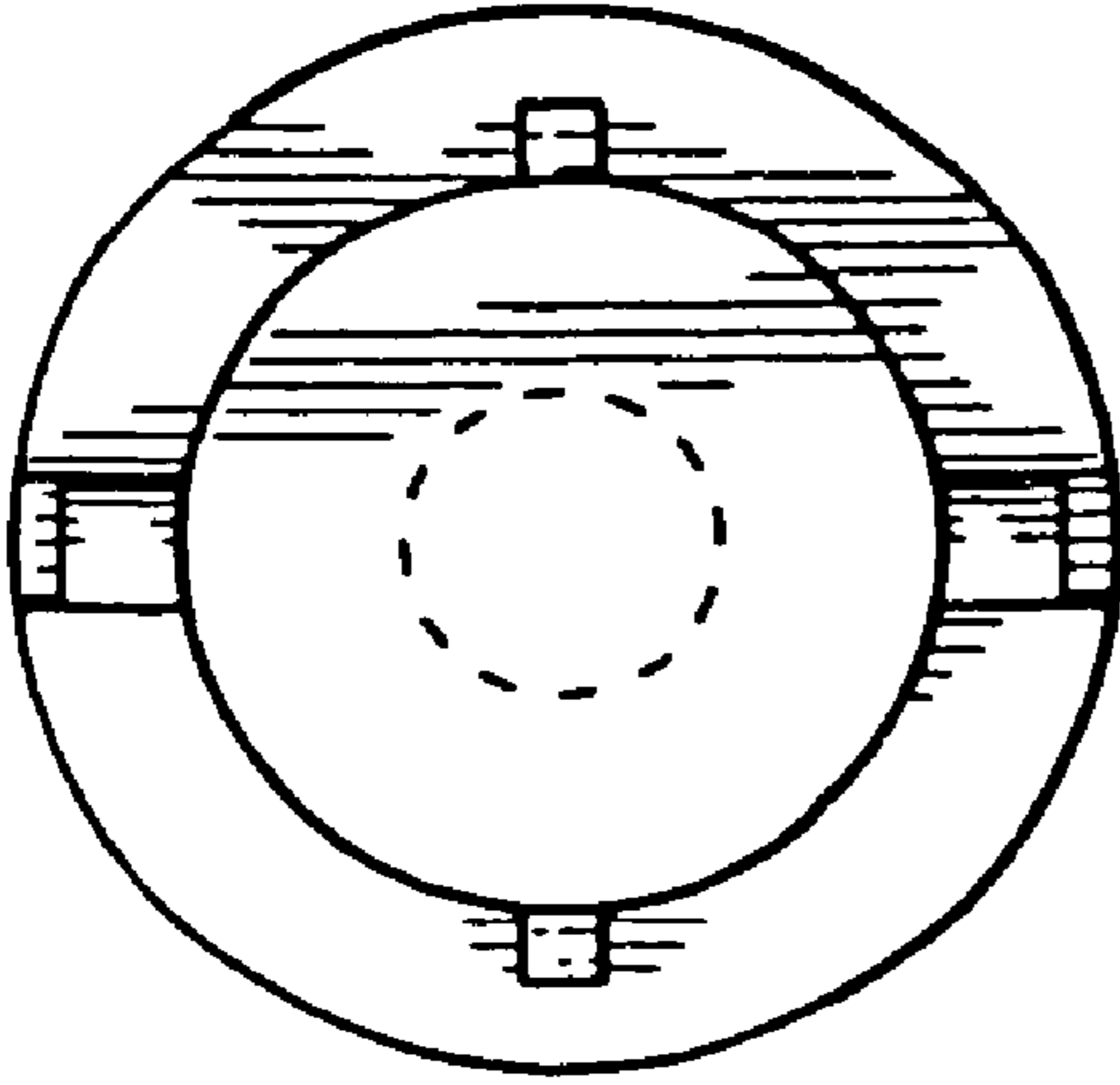


Fig. 3

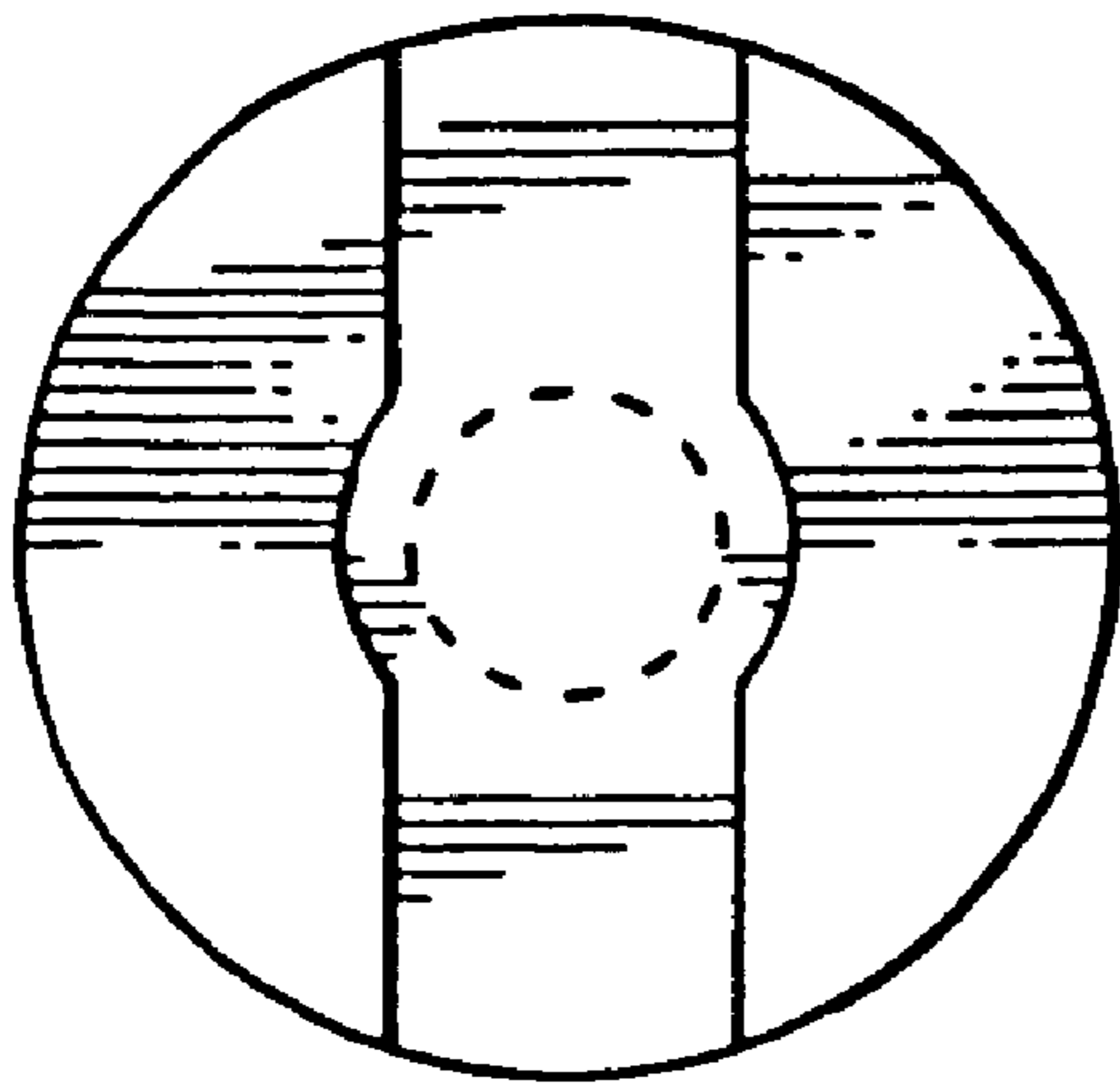


Fig. 4