



US00D484242S

(12) **United States Design Patent**
Wilkinson

(10) **Patent No.:** **US D484,242 S**

(45) **Date of Patent:** **** *Dec. 23, 2003**

- (54) **NEEDLE HOLDER ASSEMBLY**
- (75) Inventor: **Bradley M. Wilkinson**, North Haledon, NJ (US)
- (73) Assignee: **Becton, Dickinson and Company**, Franklin Lakes, NJ (US)
- (*) Notice: This patent is subject to a terminal disclaimer.
- (**) Term: **14 Years**
- (21) Appl. No.: **29/157,278**
- (22) Filed: **Mar. 14, 2002**
- (51) **LOC (7) Cl.** **24-02**
- (52) **U.S. Cl.** **D24/130**
- (58) **Field of Search** D24/130, 112, D24/146, 147, 108; 600/576, 578, 577, 583; 604/198, 110, 192, 410, 195, 196; 206/365, 366, 363

- 5,413,083 A 5/1995 Jones
- 5,613,500 A 3/1997 Bishop
- 5,616,135 A 4/1997 Thorne et al.
- 5,616,136 A 4/1997 Shillington et al.
- 5,637,101 A 6/1997 Shillington
- 5,685,863 A 11/1997 Botich et al.
- 5,693,028 A 12/1997 Shillington
- 5,755,673 A 5/1998 Kinsey
- 5,769,826 A 6/1998 Johnson et al.
- 5,797,490 A 8/1998 Fujii et al.
- 5,800,395 A 9/1998 Botich et al.
- 5,810,775 A 9/1998 Shaw
- 6,004,278 A 12/1999 Botich et al.
- 6,024,727 A 2/2000 Thorne et al.
- 6,063,040 A 5/2000 Owen et al.
- 6,074,373 A 6/2000 Sudo et al.
- 6,077,244 A 6/2000 Botich et al.
- 6,096,005 A 8/2000 Botich et al.
- 6,146,337 A 11/2000 Polidoro et al.
- D436,168 S * 1/2001 Wilkinson et al. D24/130
- D436,169 S * 1/2001 Wilkinson et al. D24/130
- 6,210,371 B1 4/2001 Shaw
- D445,183 S * 7/2001 McWethy et al. D24/130
- D452,003 S * 12/2001 Niermann D24/112

* cited by examiner

(56) **References Cited**

U.S. PATENT DOCUMENTS

- 4,592,744 A 6/1986 Jagger et al.
- 4,731,059 A 3/1988 Wanderer et al.
- 4,747,831 A 5/1988 Kulli
- 4,846,808 A 7/1989 Haber
- 4,850,374 A 7/1989 Diaz-Ramos
- 4,871,355 A 10/1989 Kikkawa
- 4,900,307 A 2/1990 Kulli
- 4,942,881 A 7/1990 Al-Sioufia et al.
- 4,991,601 A 2/1991 Kasai et al.
- 4,993,426 A 2/1991 Spencer
- 4,994,034 A 2/1991 Botich et al.
- 5,030,209 A 7/1991 Wanderer et al.
- 5,062,837 A 11/1991 Al-Sioufi et al.
- 5,067,490 A 11/1991 Haber
- 5,069,225 A 12/1991 Okamura
- RE33,952 E 6/1992 Bonaldo
- 5,120,311 A 6/1992 Sagstetter et al.
- 5,188,599 A 2/1993 Botich
- 5,217,025 A 6/1993 Okamura
- 5,219,333 A 6/1993 Sagstetter et al.
- 5,407,431 A 4/1995 Botich

Primary Examiner—Ian Simmons

(74) *Attorney, Agent, or Firm*—Anthony J. Casella; Gerald E. Hespos

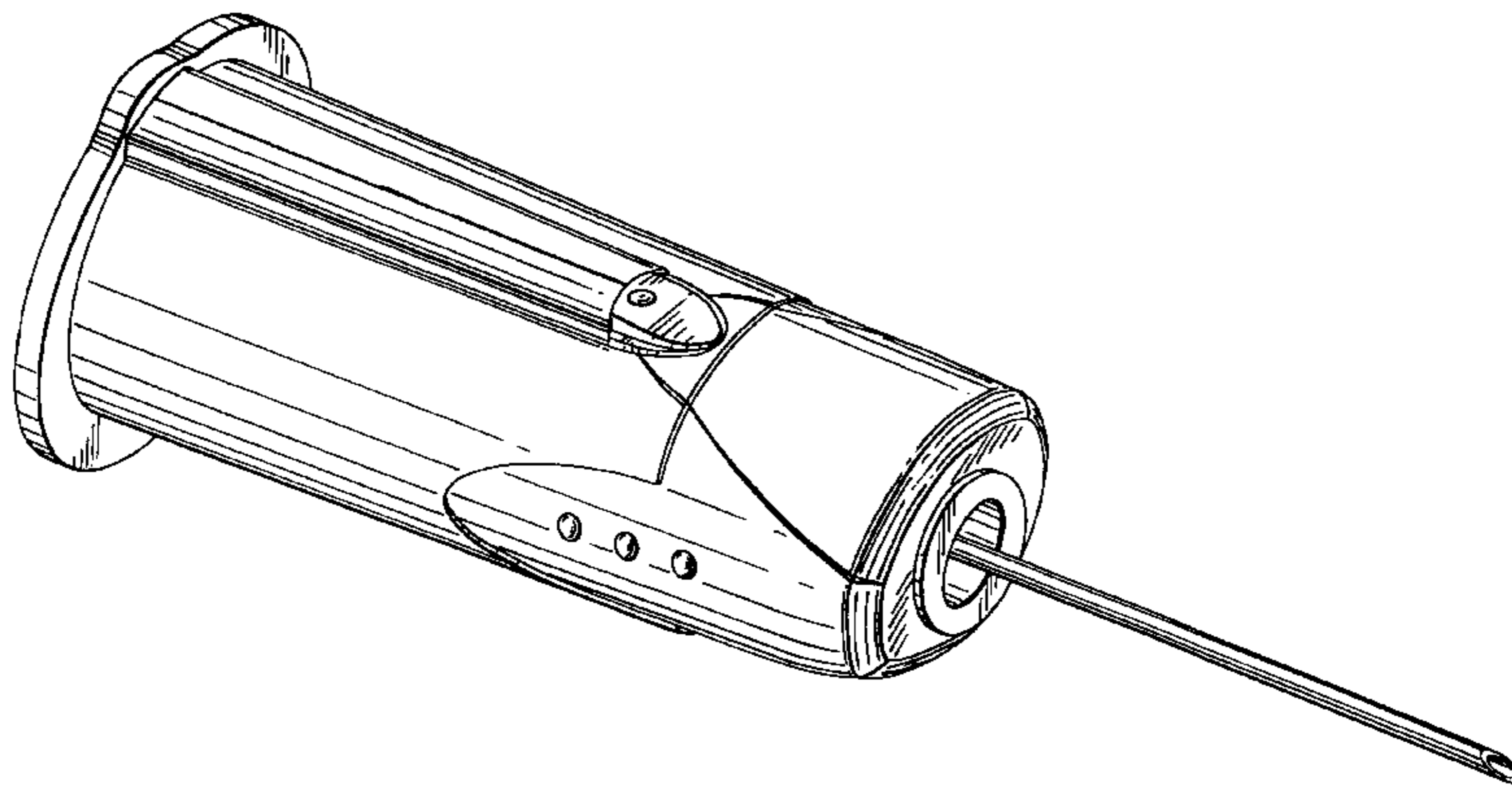
(57) **CLAIM**

The ornamental design for a needle holder assembly, as shown and described.

DESCRIPTION

FIG. 1 is a perspective view of the needle holder assembly; FIG. 2 is a side elevational view of the needle holder assembly of FIG. 1; FIG. 3 is a side elevational view of the needle holder assembly of FIG. 1, rotated 90°; FIG. 4 is a side elevational view of the needle holder assembly of FIG. 1, rotated 270°; FIG. 5 is a top plan view of the needle holder assembly of FIG. 1; and, FIG. 6 is a bottom plan view of the needle holder assembly of FIG. 1.

1 Claim, 5 Drawing Sheets



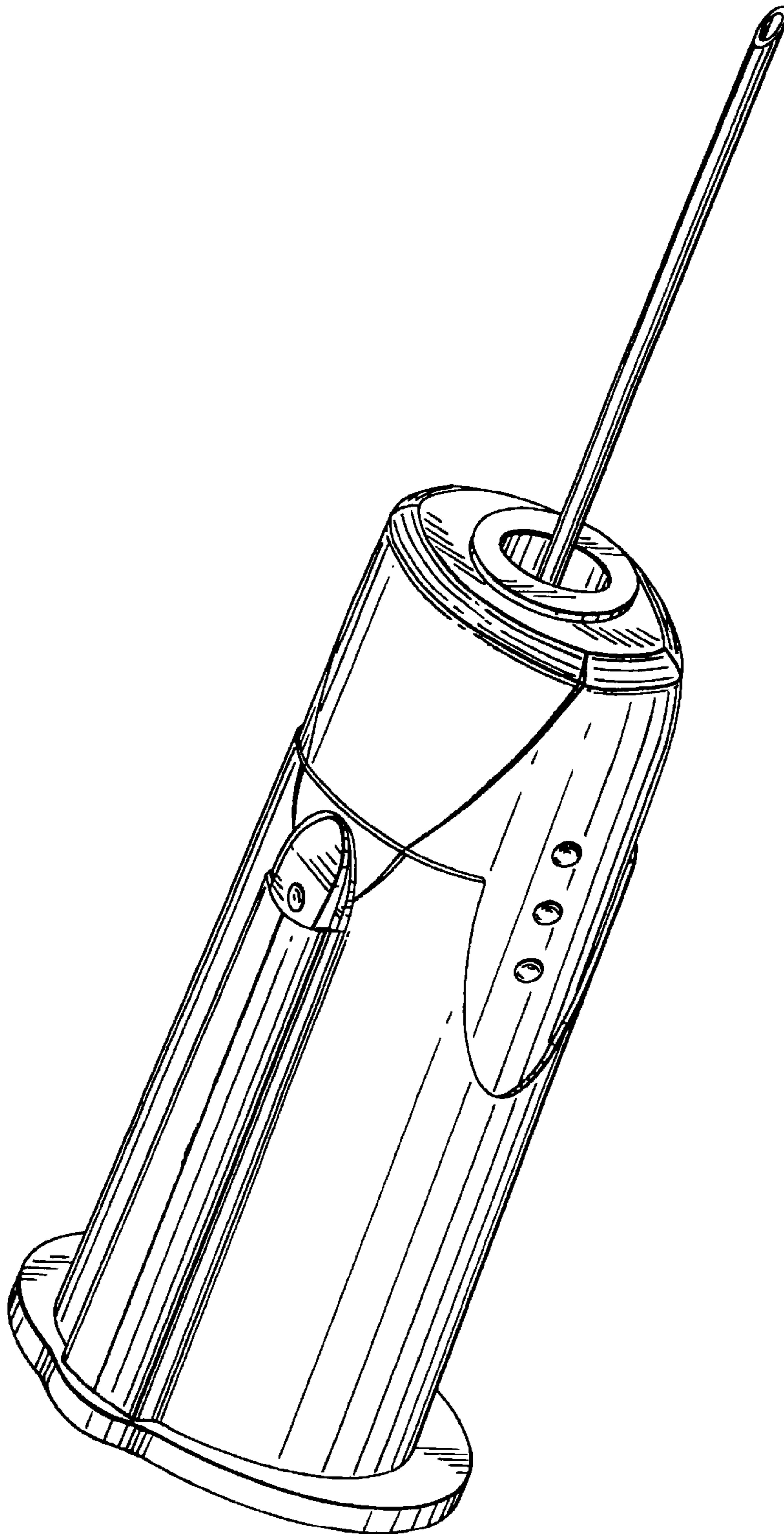


FIG.1

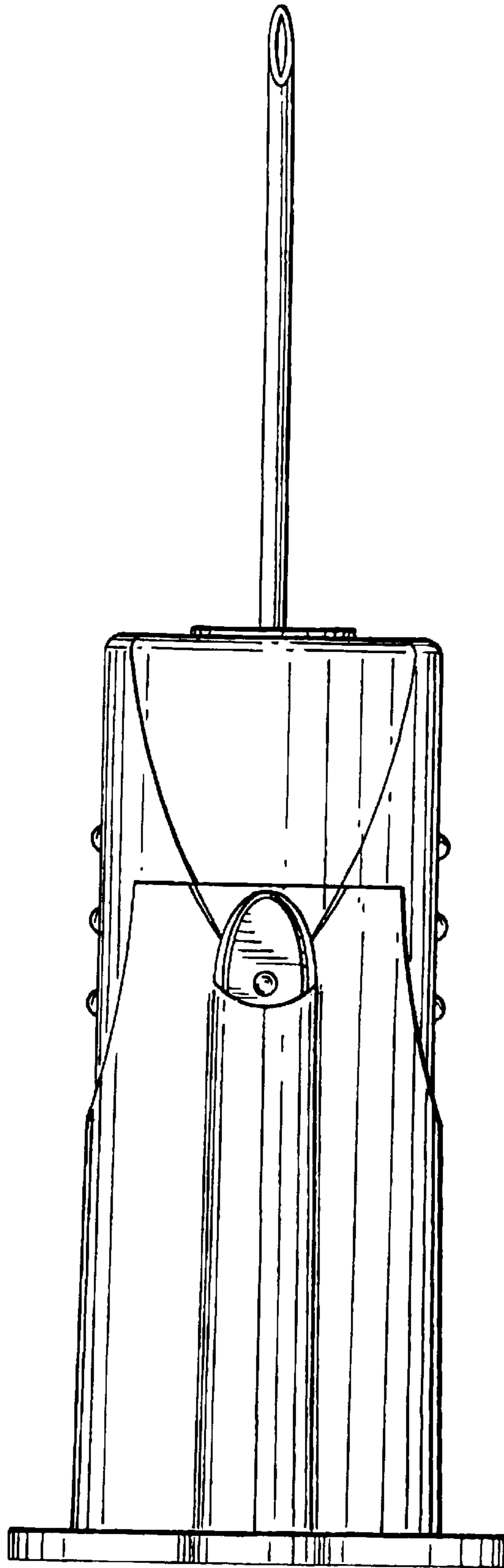


FIG.2

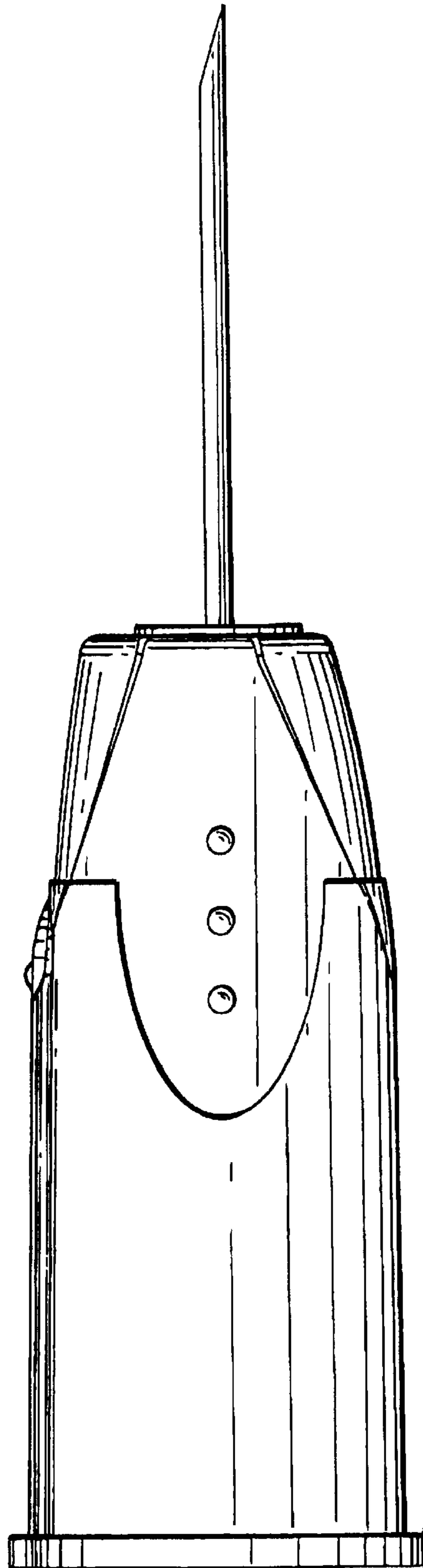


FIG.3

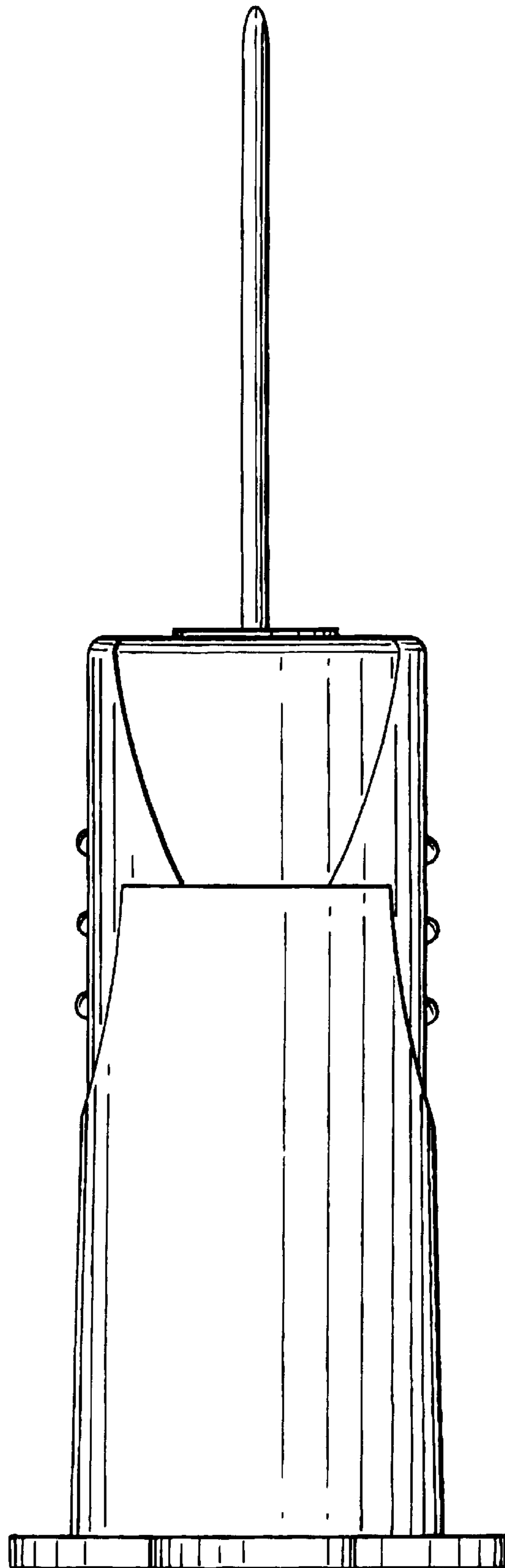


FIG.4

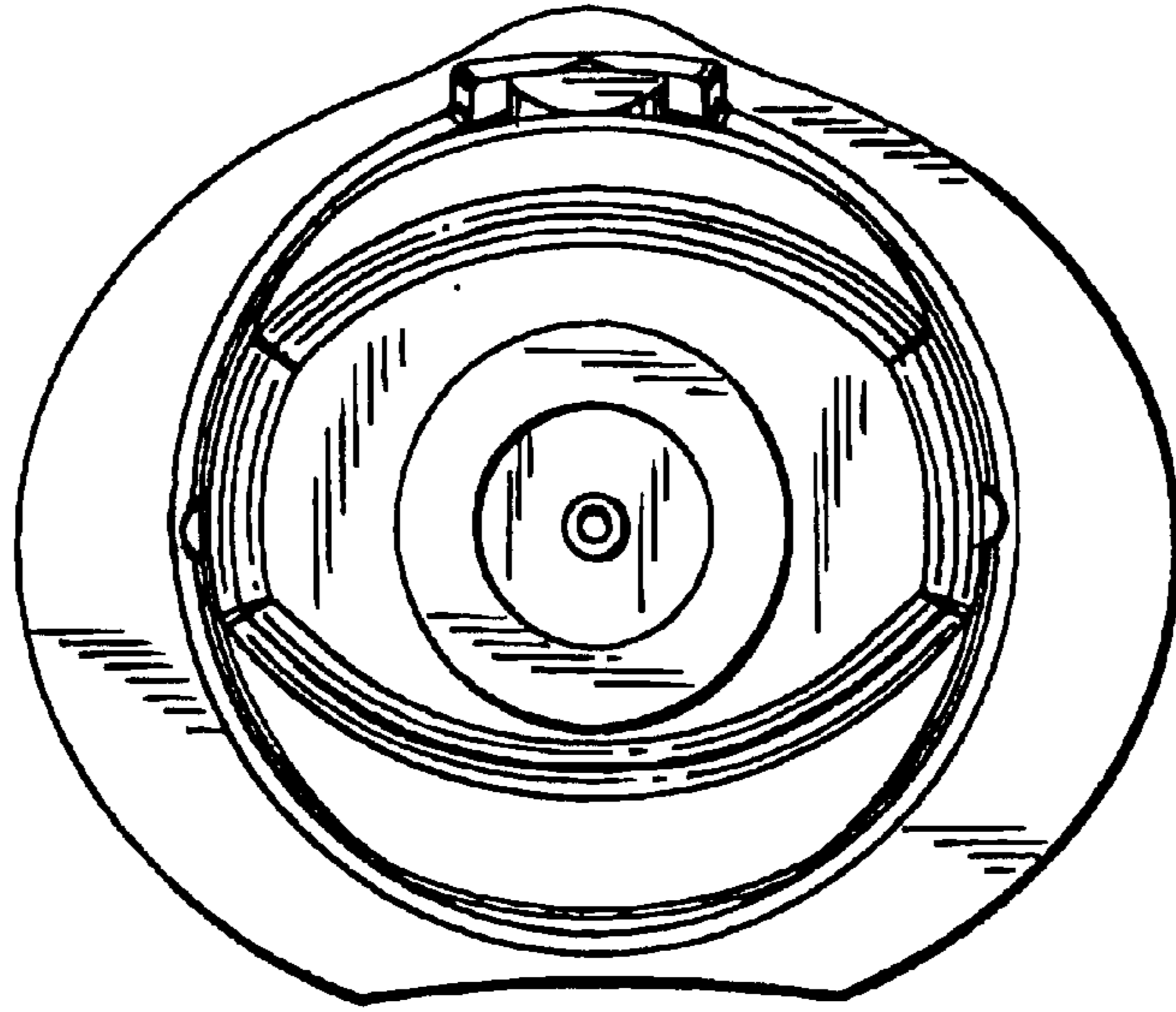


FIG. 5

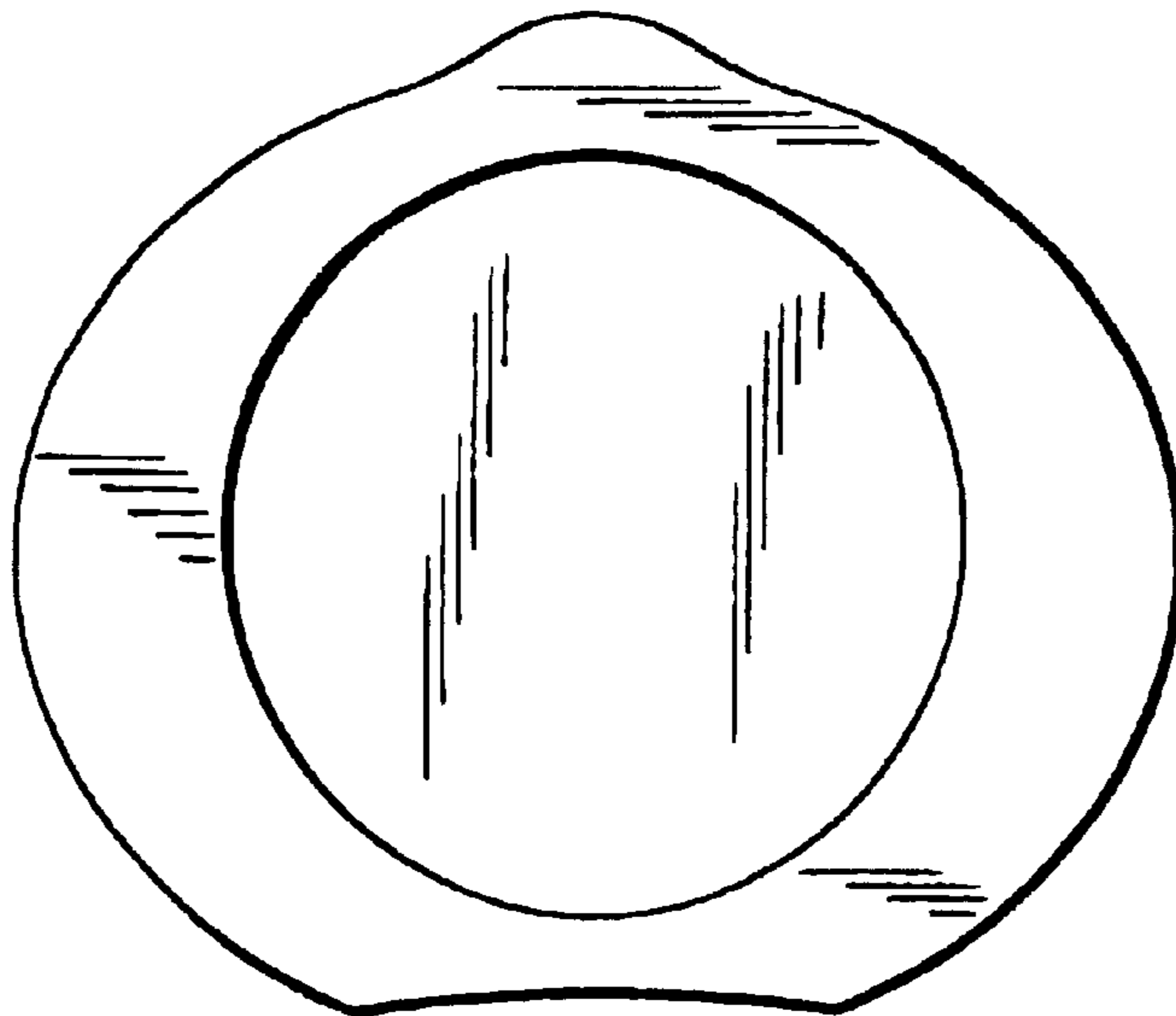


FIG. 6